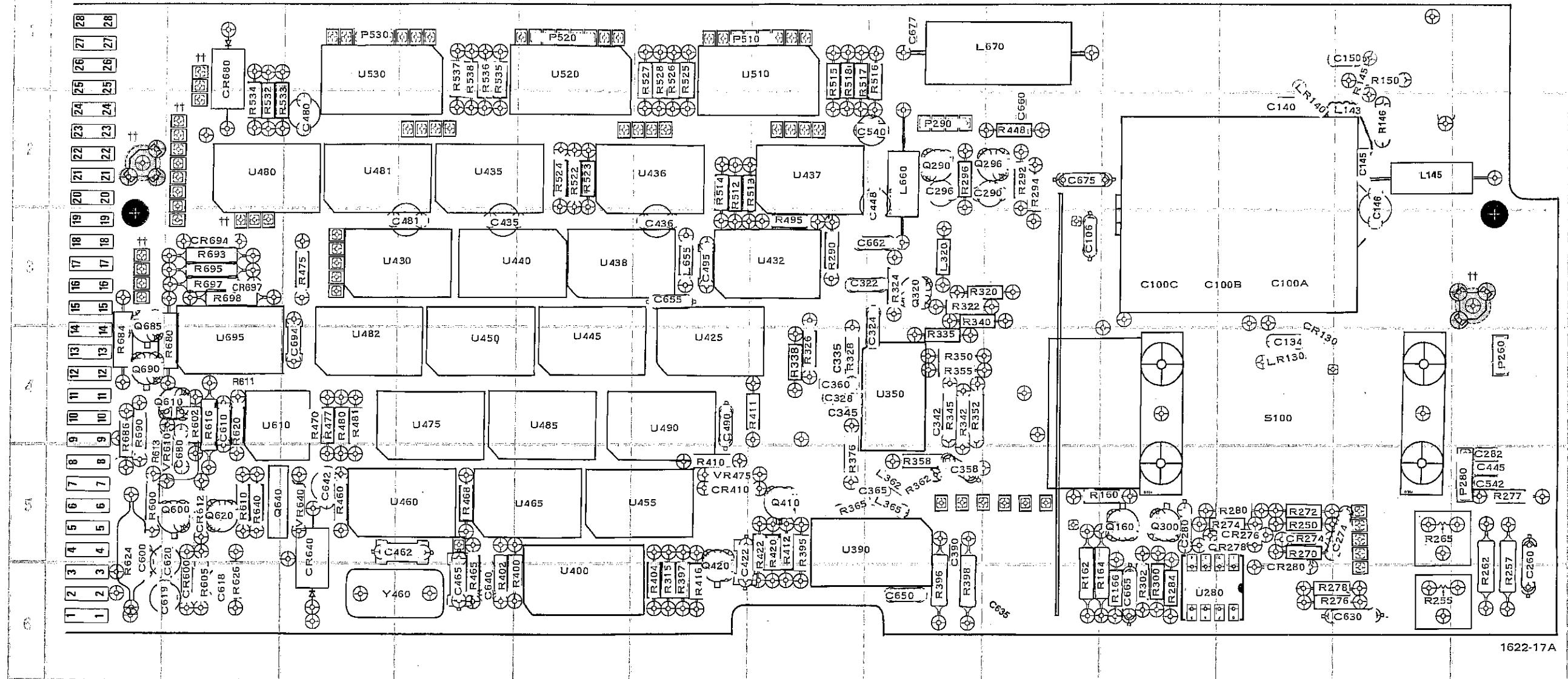


SG 503 BLOCK DIAGRAM

REV. B OCT 1977

CUSTOMER MOD

††Optional



A1 Main circuit board "A" side.

*See Parts List for serial number ran

NOTE

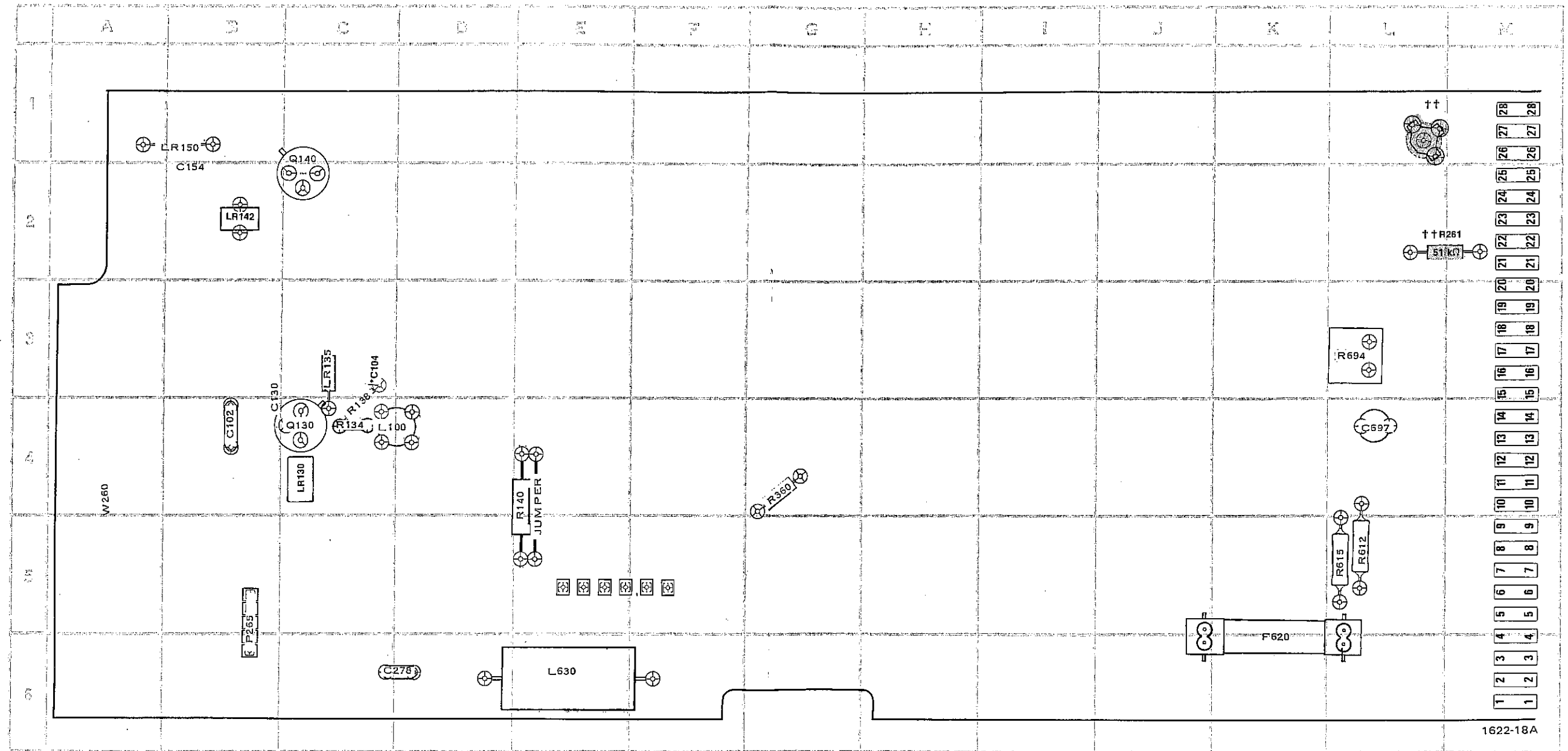
The following CKT NO's are ferrite beads. Refer to schematic diagrams for locations.

- L190
- L191
- L245
- L265
- L270
- L280
- L290

REV F JUL 1980

CKT NO	GRID LOC	CKT NO	GRID LOC	CKT NO	GRID LOC	CKT NO	GRID LOC	CKT NO	GRID LOC	CKT NO	GRID LOC	CKT NO	GRID LOC	CKT NO	GRID LOC	CKT NO	GRID LOC	CKT NO	GRID LOC	CKT NO	GRID LOC	CKT NO	GRID LOC	CKT NO	GRID LOC	CKT NO	GRID LOC	CKT NO	GRID LOC	CKT NO	GRID LOC	CKT NO	GRID LOC
C100A	K3	C324	G4	C480	C2	C655	F3	CR640	C5	P280	M5	Q640	B5	R270	K5	R322	H3	R395	G5	R468	D5	R524	E2	R611*	B4	U350*	H4	U475	D4				
C100B	K3	C328*	G4	C481	C3	C660	I2	CR680	B1	P290	H2	Q685	A4	R272	K5	R324	H3	R396	H6	R470	C4	R525	F1	R613	A5	U390	G5	U480	B2				
C100C	J3	C335*	G4	C490	F4	C662	G3	CR694	B3	P510	F1	Q690	A4	R274	K5	R326	G4	R397	F6	R475	C3	R526	F1	R616	B4	U400	E6	U481	C2				
C106	I3	C342*	H4	C495	F3	C665	J6	CR697*	B3	P520	E1	R145	L1	R276	K6	R328	G4	R398	H6	R477	C4	R527	F1	R620	B4	U425	F4	U482	C4				
C134	K4	C345*	G4	C540	G1	C675	I2	L143	L2	P530	C1	R146*	L2	R277	M5	R335	H4	R400	D6	R480	C4	R528	F1	R624	A5	U430	C3	U485	E4				
C140	K2	C358	H5	C542	M5	C677	H1	L145*	L2			R145	L1	R278	K6	R338*	G4	R402	D6	R481	C4	R532	B2	R626	B6	U432	G3	U490	F4				
C145*	L2	C360*	G4	C600	A5	C680	B5	L320	H3	Q160	J5	R150	L1	R280	K5	R340*	H3	R404	F6	R495	G3	R533	B2	R640	B5	U435	D2	U510	F1				
C146*	L2	C365	G5	C610	B4	C694	C4	L362	H5	Q290	H2	R160	J5	R284	J6	R342	H4	R410	F5	R512	F2	R534	B2	R680	A4	U436	F2	U520	E1				
C150	L1	C390	H5	C618	B6	CR130	K4	L365	H5	Q296	H2	R162	I6	R290	G3	R345*	H4	R411	F4	R513	F2	R535	D1	R684	A4	U437	G2	U530	C1				
C260	M6	C422	F6	C619	A5	CR274	K5	L655	F3	Q300	J5	R164	I6	R292	I2	R350	H4	R412	G5	R514	F2	R536	D1	R686	A4	U438	E3	U610	B4				
C274	L5	C435	D3	C620	A5	CR276	K5	L660	H2	Q320	H3	R166	J6	R294	I2	R352	H4	R416	F6	R515	G1	R537	D1	R690	A4	U440	D3	U695	B4				
C280	J5	C436	F3	C630	L6	CR278	K5	L670	I1	Q410	G5	R250	K5	R296	H2	R355	H4	R420	G5	R516	G1	R538	D1	R693	B3	U445	E4	VR475	F5				
C282	M5	C445	M5	C635*	I6	CR280	K6	LR130	K4	Q420	F6	R255	L6	R300	J6	R358	H5	R422	G5	R517	G1	R600	A5	R695	B3	U450	D4	VR610	A5				
C290	H2	C448	G2	C640	D6	CR410	F5	LR140	K2	Q600	B5	R257	M6	R302	J6	R362	H5	R448	I2	R518	G1	R602	B4	R697	B3	U455	F5	VR640	C5				
C296	H2	C462	C5	C642	C5	CR600	B6			Q610	A4	R262	M6	R315	F6	R365	G5	R460	C5	R522	E2	R605	B6	R698	B3	U460	D5						
C322	G3	C465	D6	C650	H6	CR612	B5	P260	M4	Q620	B5	R265	L5	R320	H3	R376	G5	R465	D6	R523	E2	R610	B5	U280	J6	U465	E5	Y460	C6				

CUSTOMER MOD



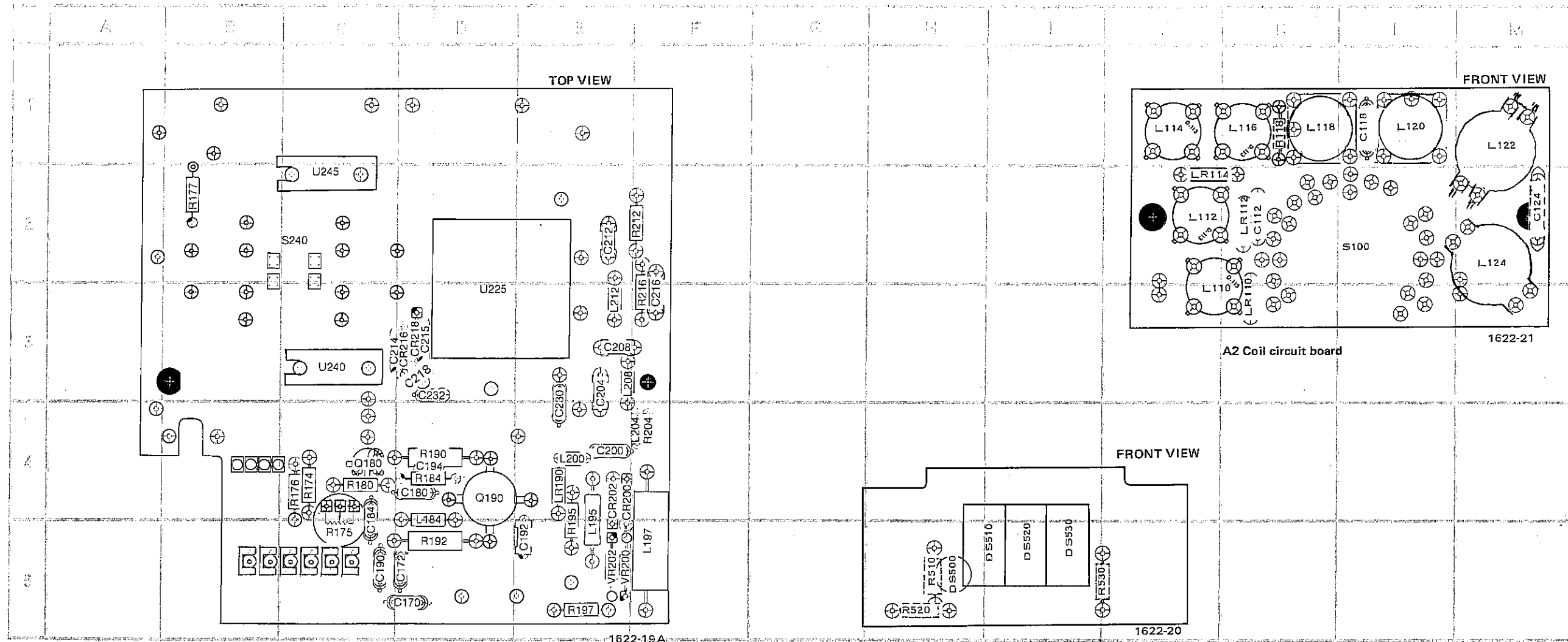
1622-18A

†† Optional

*See Parts List for serial number ranges.

A1 Main circuit board "B" side.

CKT NO	GRID LOC	CKT NO	GRID LOC	CKT NO	GRID LOC
C102	B4	LR135	C3	R615	L5
C104 *	C3	LR150	B1	R694	L3
C130	C3				
C154	B2	Q130	C4	W260	A4
C278	D6	Q140	C2		
C697	L4				
F620	K5	P265	B5		
L100	D4	R134	C4		
L142	B2	R138	C4		
L630	E6	R140	E4		
LR130	C4	R360	G4		
		R612	L5		



A3 Attenuator circuit board

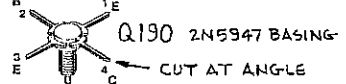
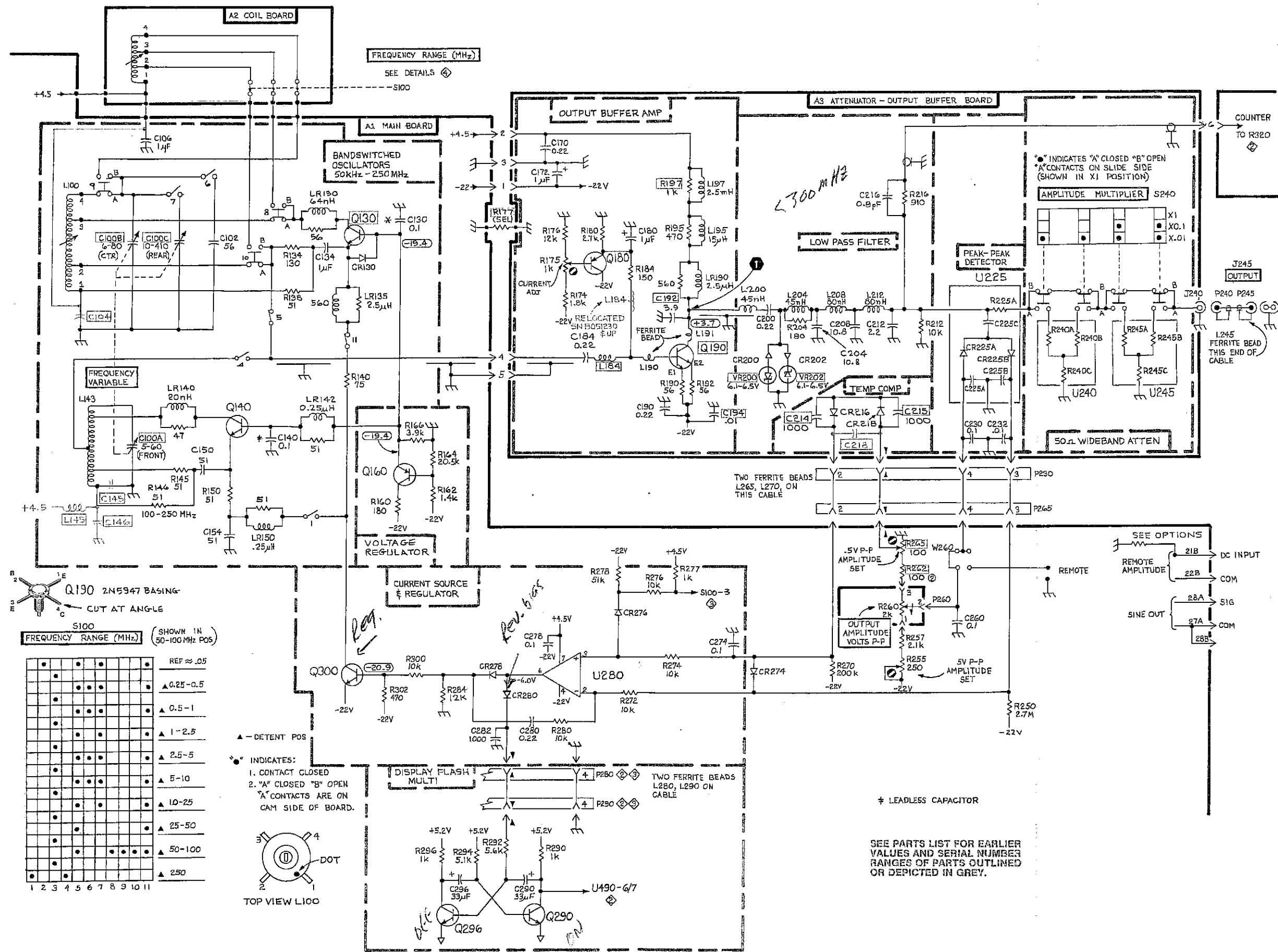
A4 Display circuit board

*See Parts List for serial number ranges.

† Located on back of board.

‡ Selected component, refer to maintenance section.

CKT NO	GRID LOC	CKT NO	GRID LOC	CKT NO	GRID LOC	CKT NO	GRID LOC	CKT NO	GRID LOC	CKT NO	GRID LOC
C112	K2	C214*	C3	DS510	I5	L195	E4	R116*†	L1	R216	F3
C118*	L1	C215*	D3	DS520	I5	L197	F5	R118*†	K1	R510	H5
C124	M2	C216	F3	DS530	I5	L200	E4	R174	C4	R520	H5
C170	D5	C218*	D3			L204	F4	R175	C5	R530	J5
C172	D5	C230	E3	L110	J3	L208	E3	R176	C4		
C180	D4	C232	D3	L112	J2	L212	E3	R177*‡	B2	S100	L2
C184	C4			L114	J1			R180	C4	S240	C2
C190	C5	CR200	E4	L116	K1	LR110	K3	R184	D4		
C192	E5	CR202	E4	L118	K1	LR112	K2	R190	D4	U225	D2
C194*	D4	CR216	C3	L120	L1	LR114	J2	R192	D5	U240	C3
C200	E4	CR218	D3	L122	M1	LR190	E4	R195	E4	U245	C2
C204	E3			L124	M2			R197	E5		
C208	E3	DS500	H5	L184	D4	Q180	C4	R204	F4	VR200	E5
C212	E2					Q190	D4	R212	F2	VR202	E5



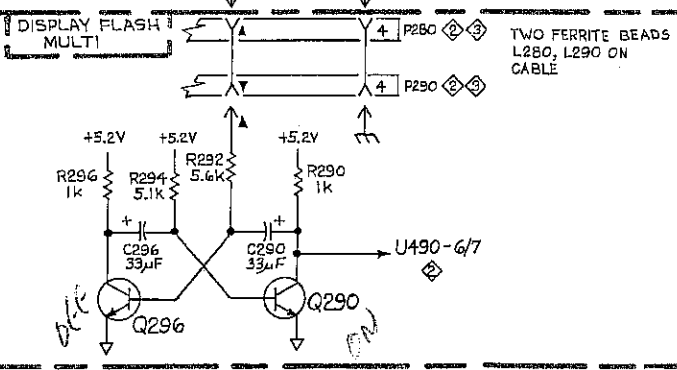
5100
FREQUENCY RANGE (MHz) (SHOWN IN 50-100 MHz POS)

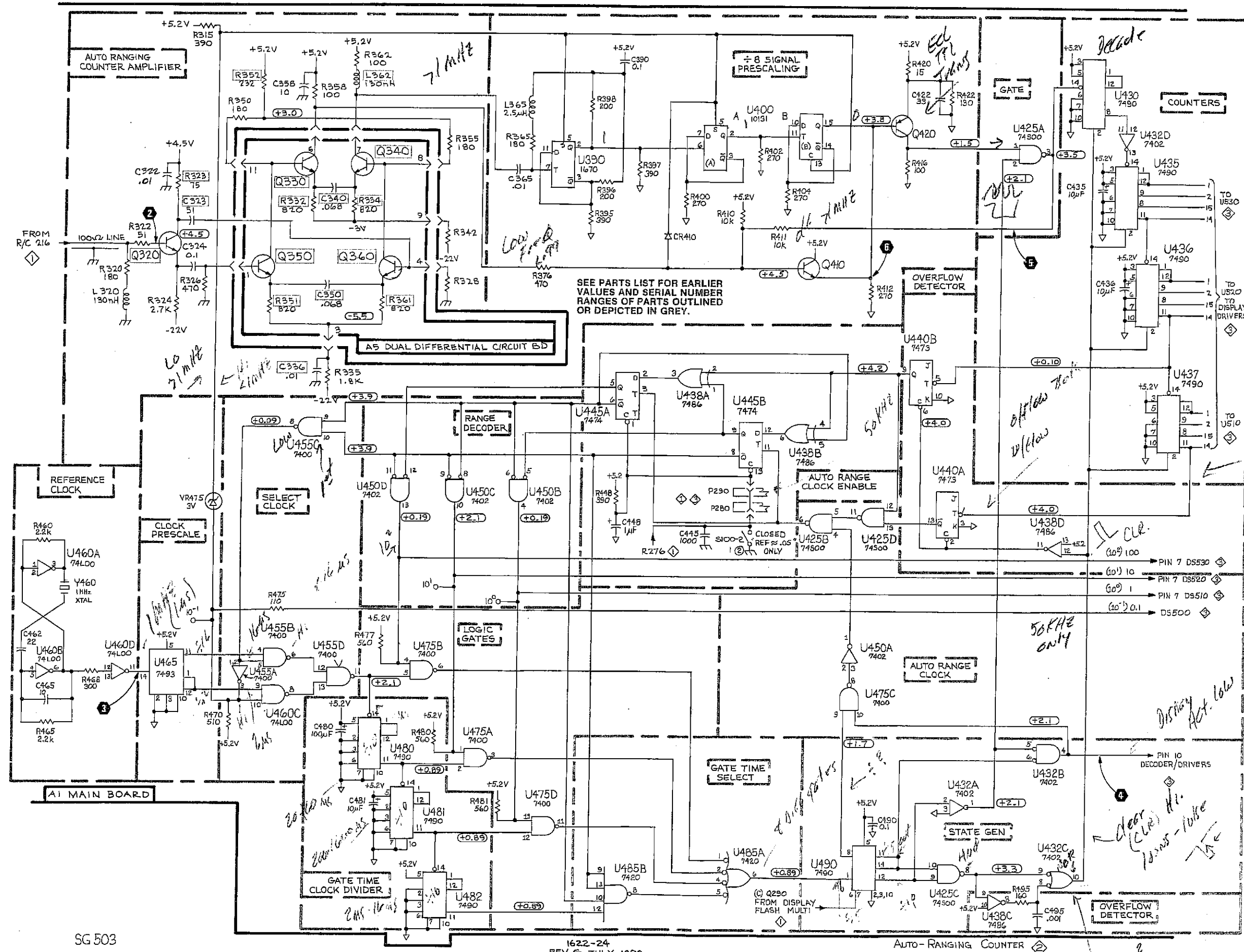
REF	0.05
▲	0.25-0.5
▲	0.5-1
▲	1-2.5
▲	2.5-5
▲	5-10
▲	10-25
▲	25-50
▲	50-100
▲	250

▲ - DETENT POS

* INDICATES:
1. CONTACT CLOSED
2. "A" CLOSED "B" OPEN
"A" CONTACTS ARE ON CAM SIDE OF BOARD.

TOP VIEW L100





SG 503

1622-24
REV G JULY 1980

AUTO-RANGING COUNTER

AUTO-RANGING COUNTER

TO US30
TO DISPLAY DRIVERS
TO US10

Dec. Point
Act. HI.

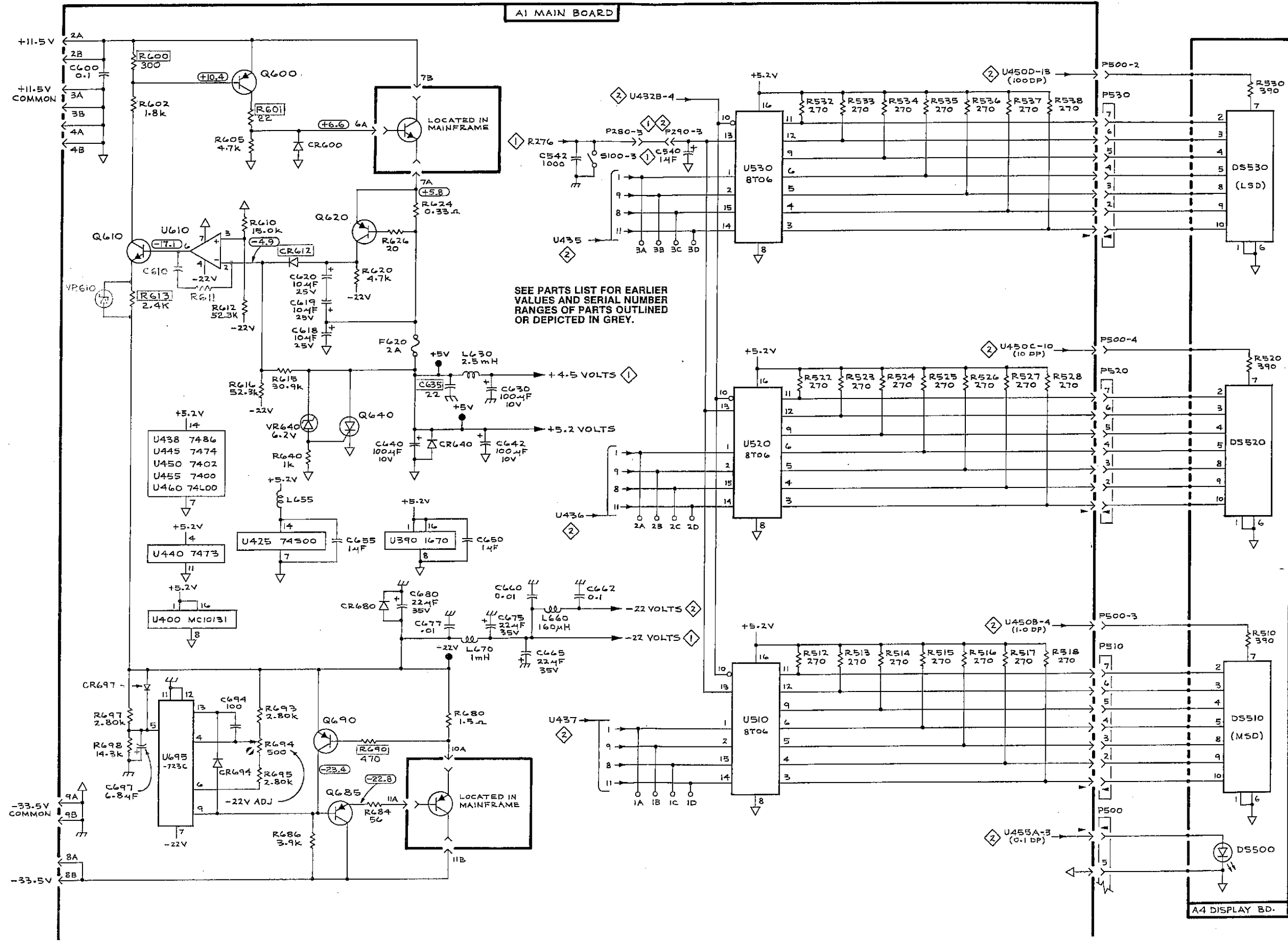
1 CLR
2 Gate
7 Display

100K-10K
7-20



Wright

2

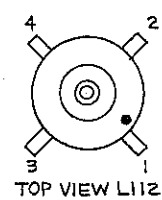
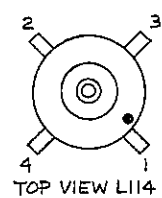
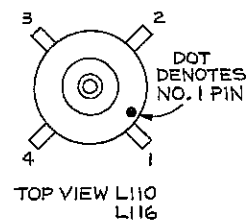
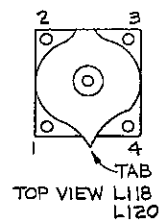
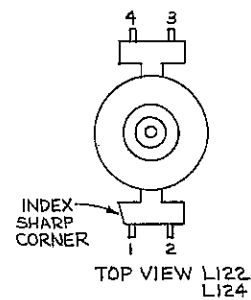


1622-25
REV F JULY 1980

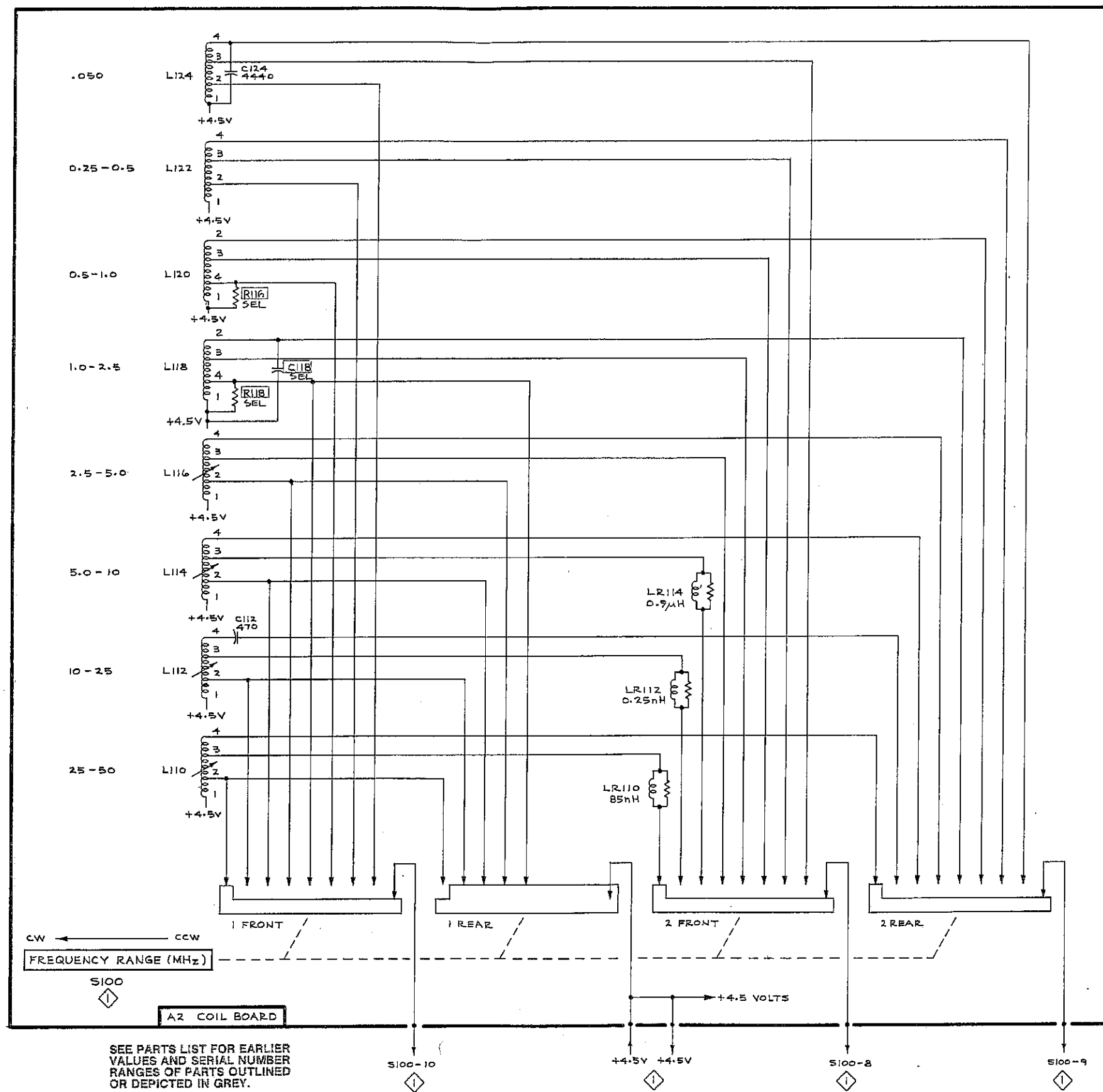
POWER SUPPLY AND DISPLAY 3 DEH 0874

SG 503

A4 DISPLAY BD.



SG 503



1622-26
REV E SEPT 1971

SWITCH DETAILS 4

DEH 0874

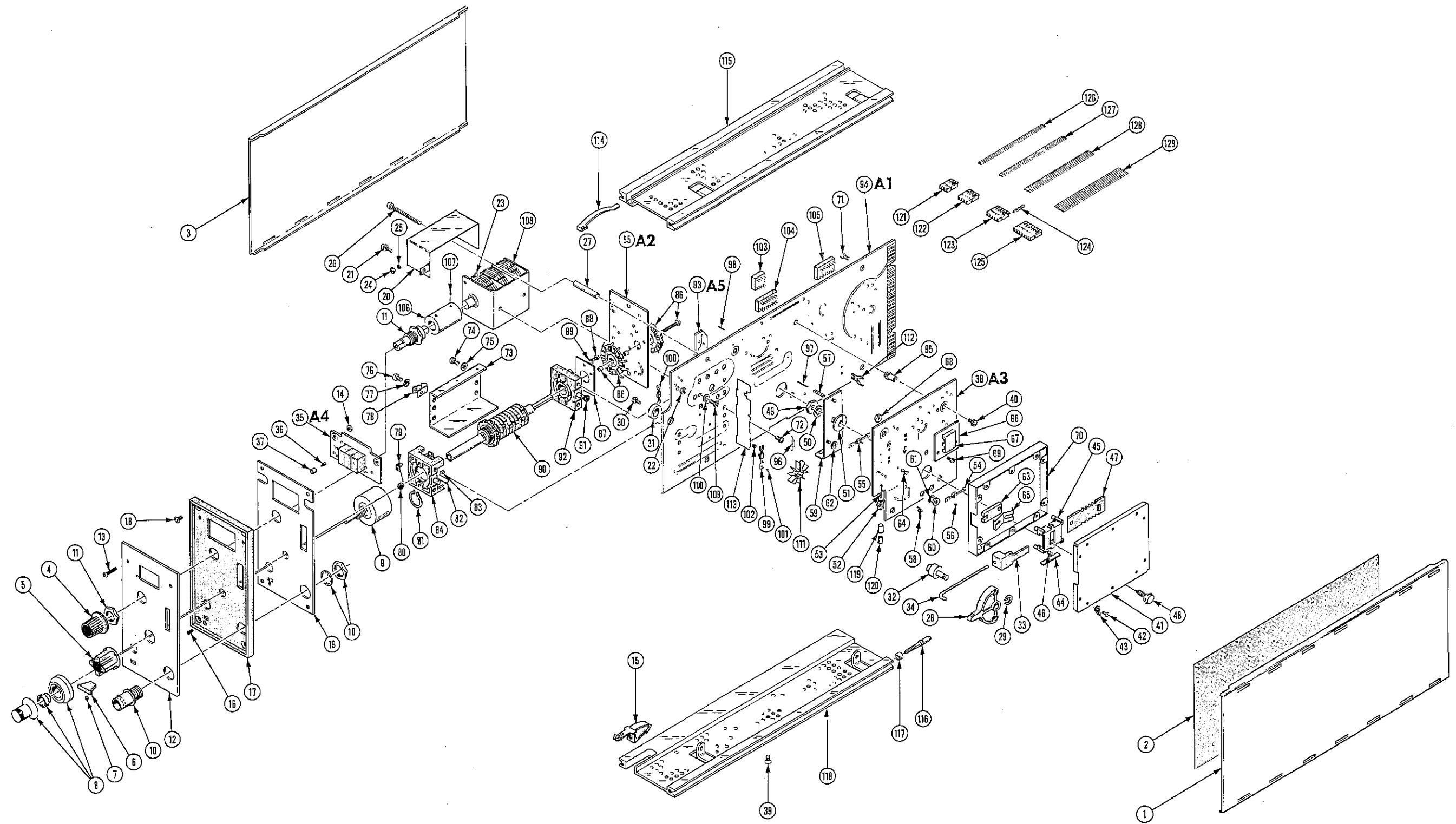


FIG. 1 EXPLODED