

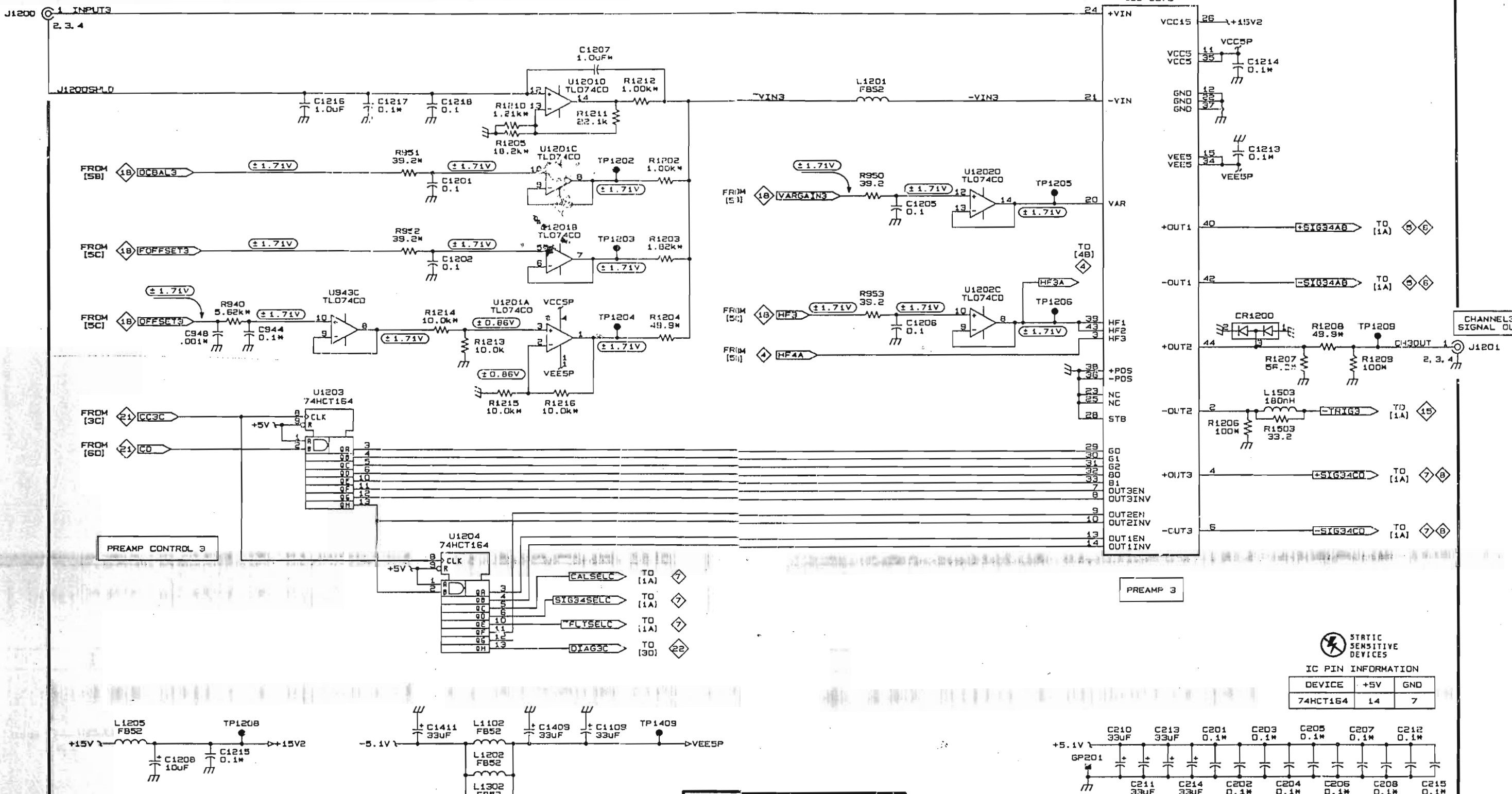
STATIC SENSITIVE DEVICES

IC PIN INFORMATION

DEVICE	+5V	GND
74HCT164	14	7

PARTIAL A ACQUISITION BOARD
87-2662-03/671-2663-03

PREAMP 3 CONTROL BUFFERS

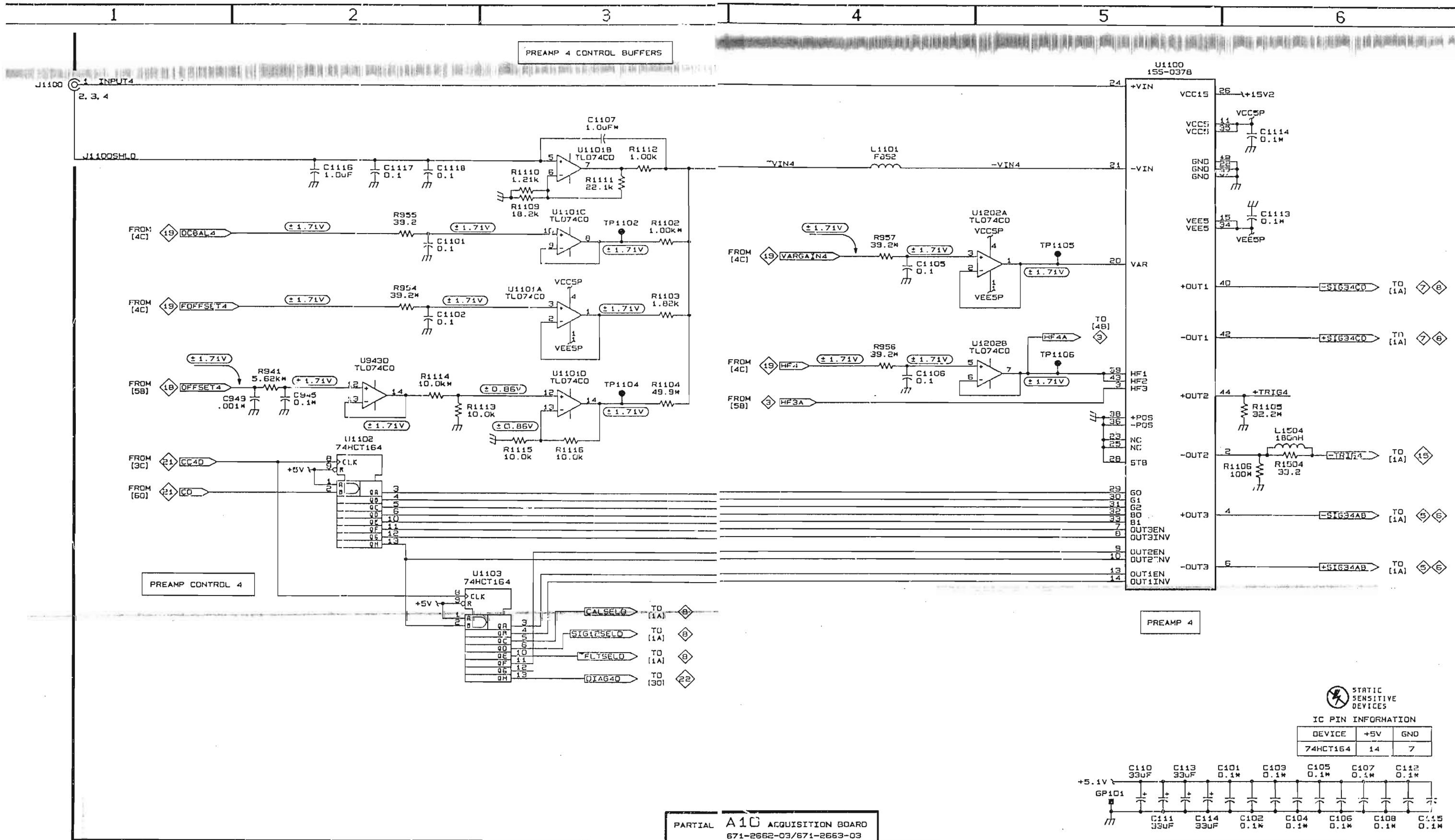


STATIC SENSITIVE DEVICES

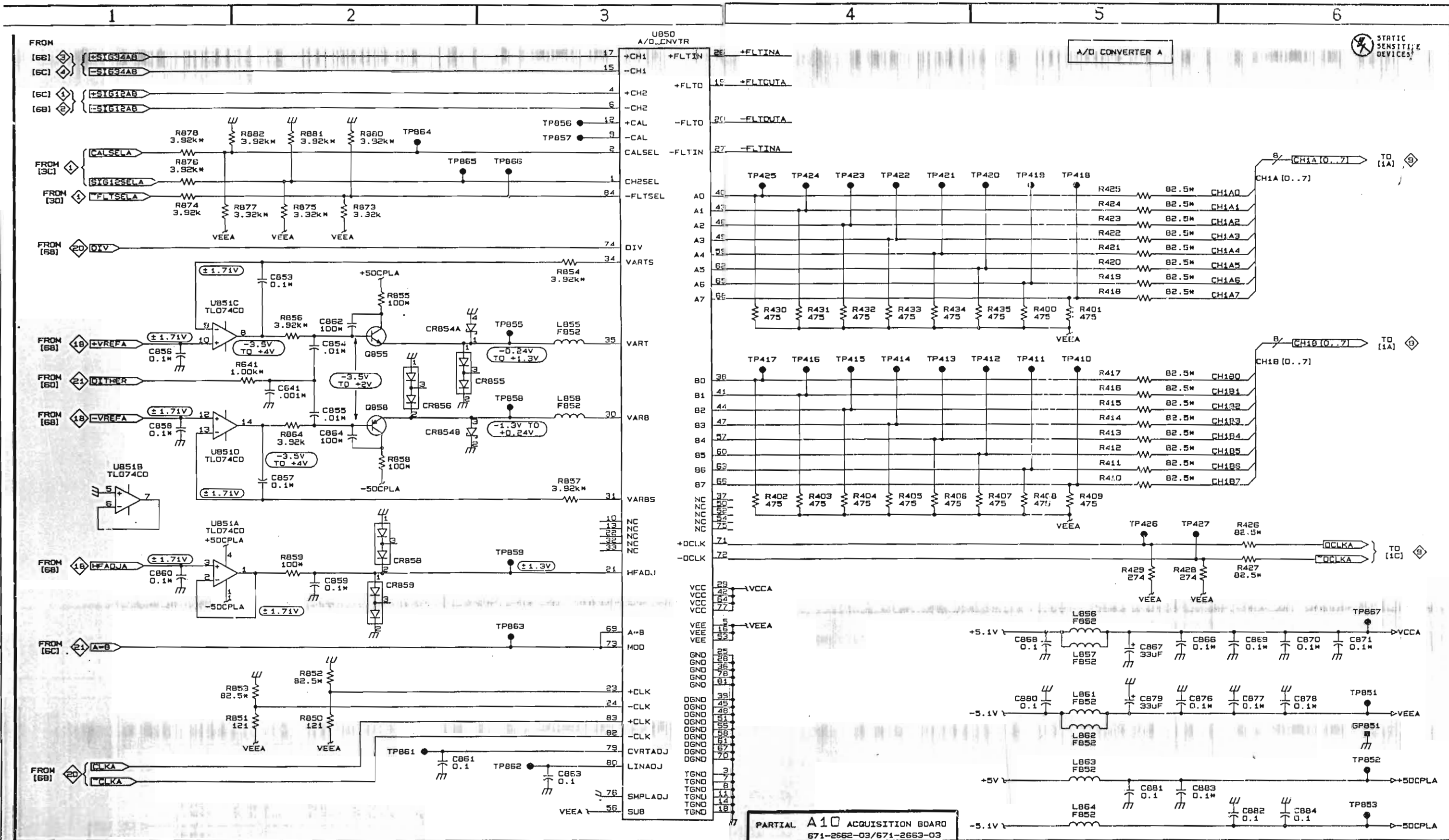
IC PIN INFORMATION

DEVICE	+5V	GND
74HCT164	14	7

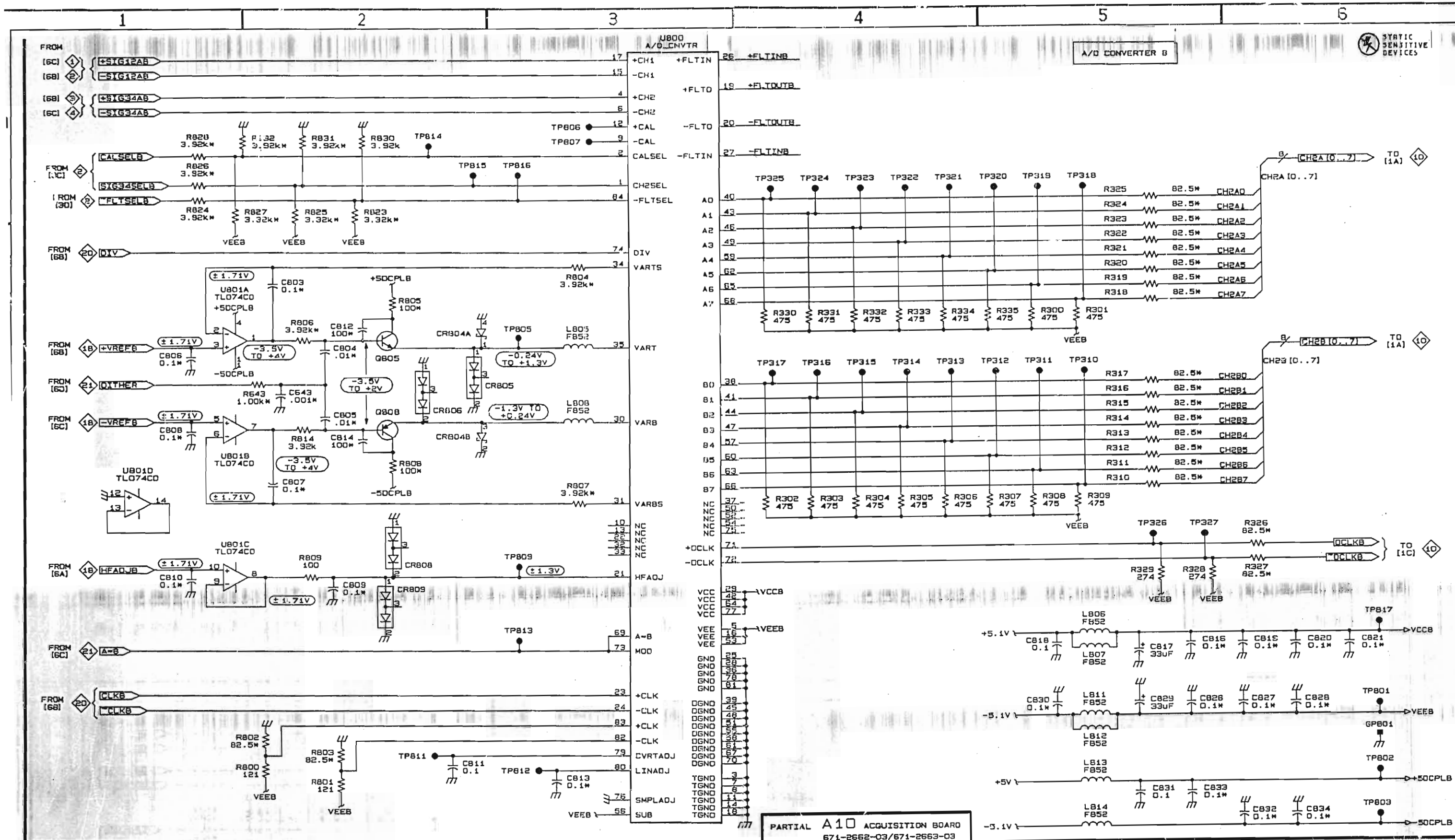
PARTIAL A10 ACQUISITION BOARD
671-2662-03/671-2663-03



PARTIAL A10 ACQUISITION BOARD
671-2662-03/671-2663-03



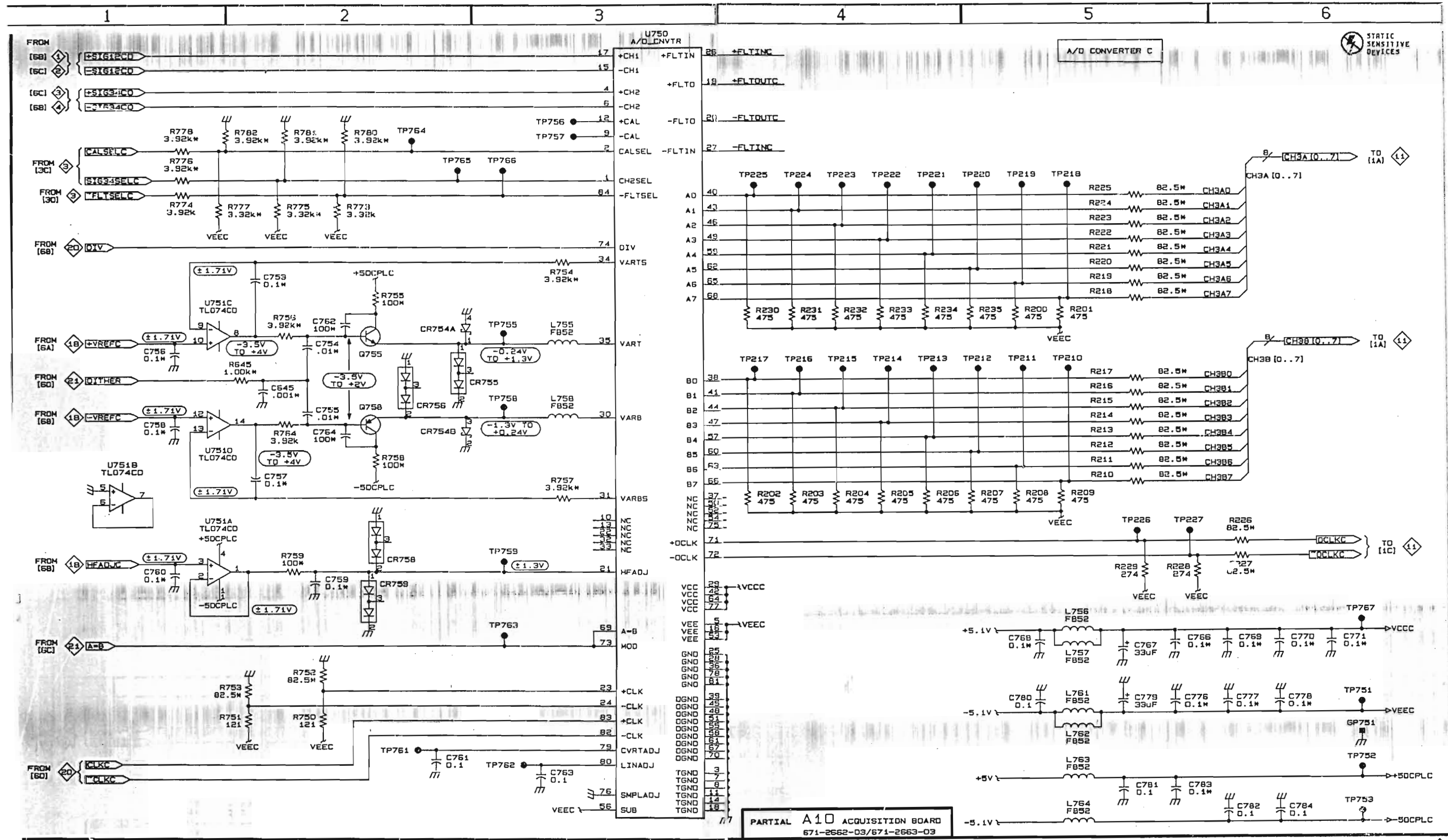
PARTIAL A10 ACQUISITION BOARD
671-2662-03/671-2663-03



TDS 544A

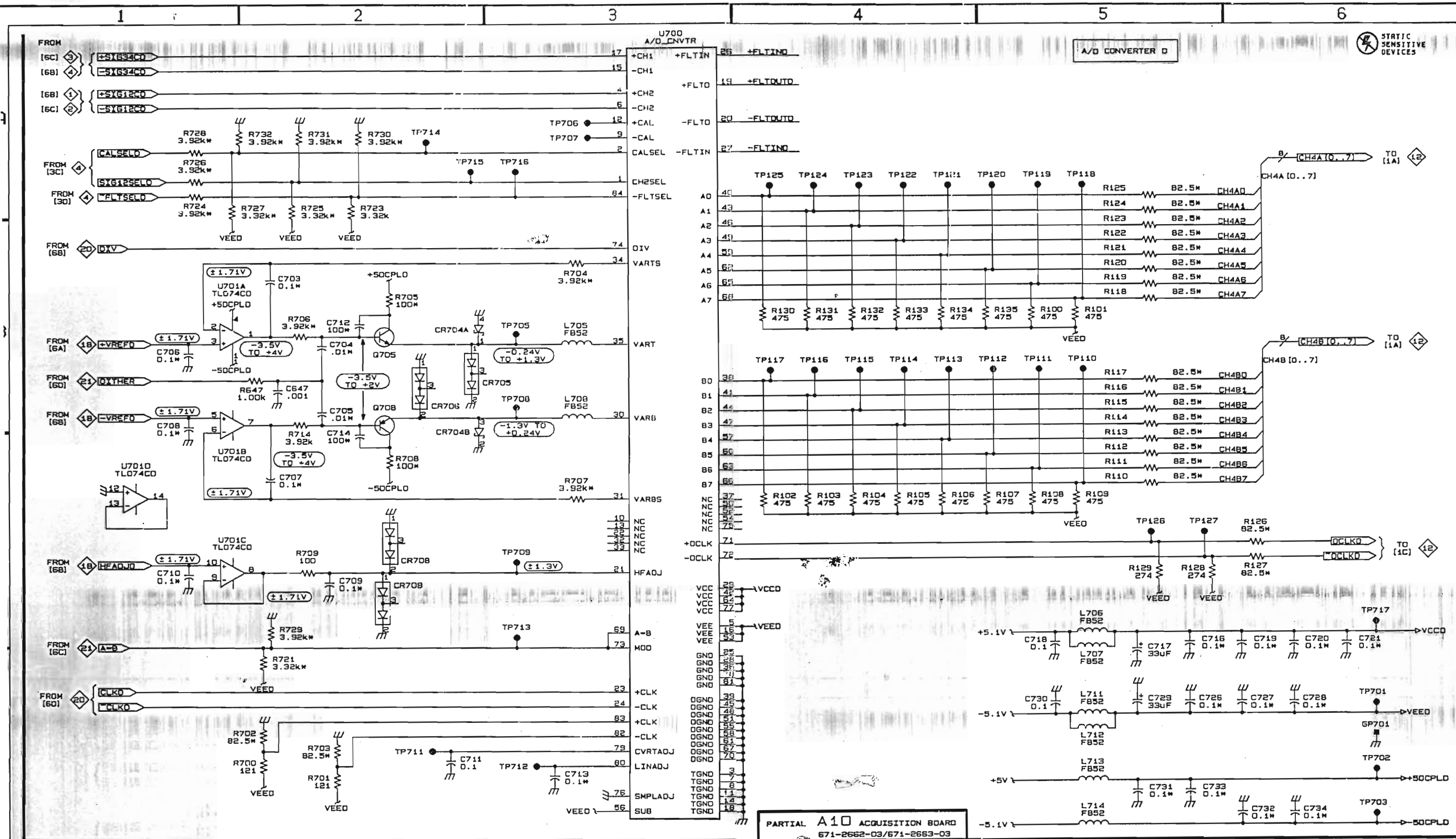
CHANNEL B CONVERTER A10

PARTIAL A10 ACQUISITION BOARD
671-2662-03/671-2663-03

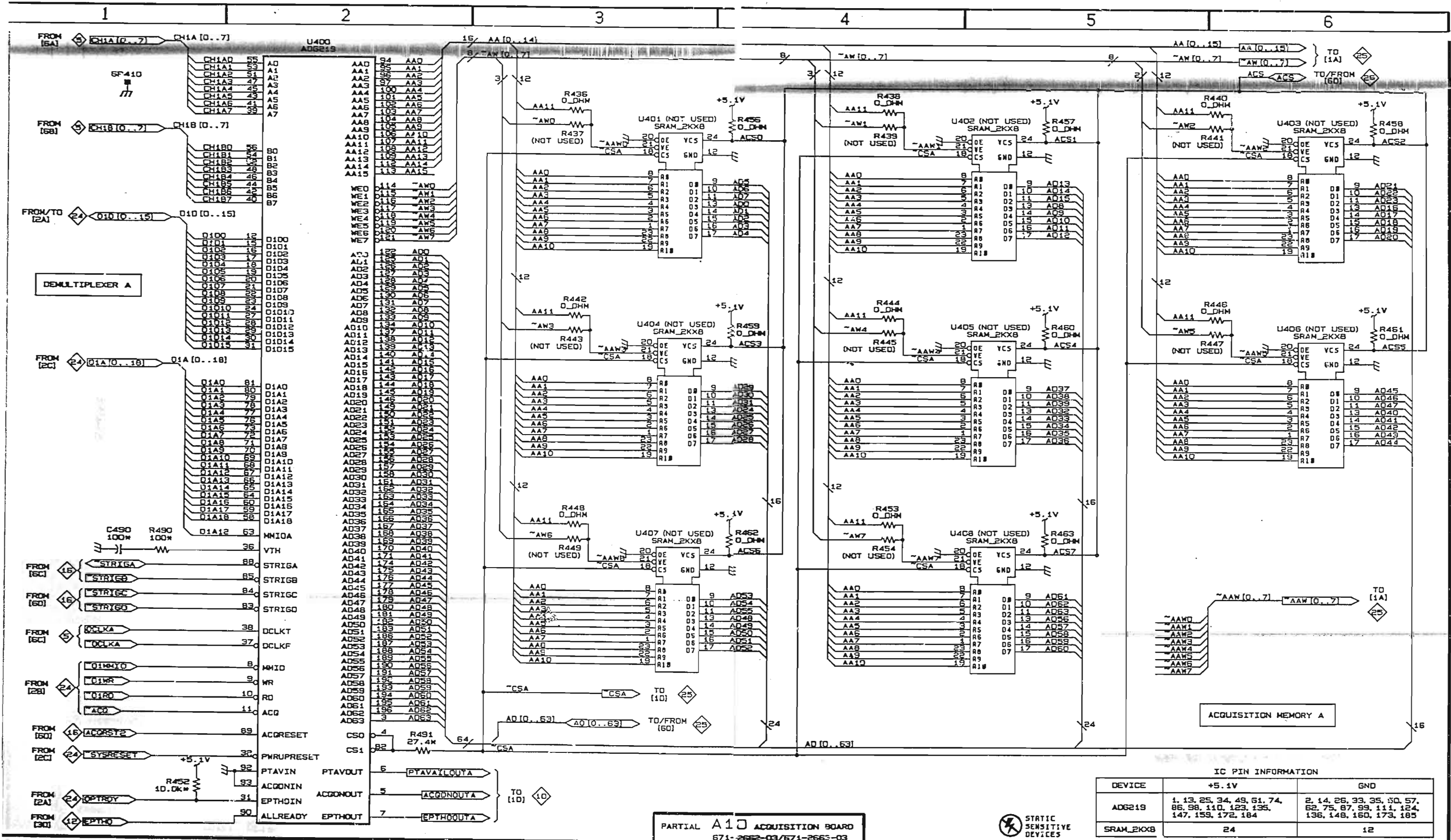


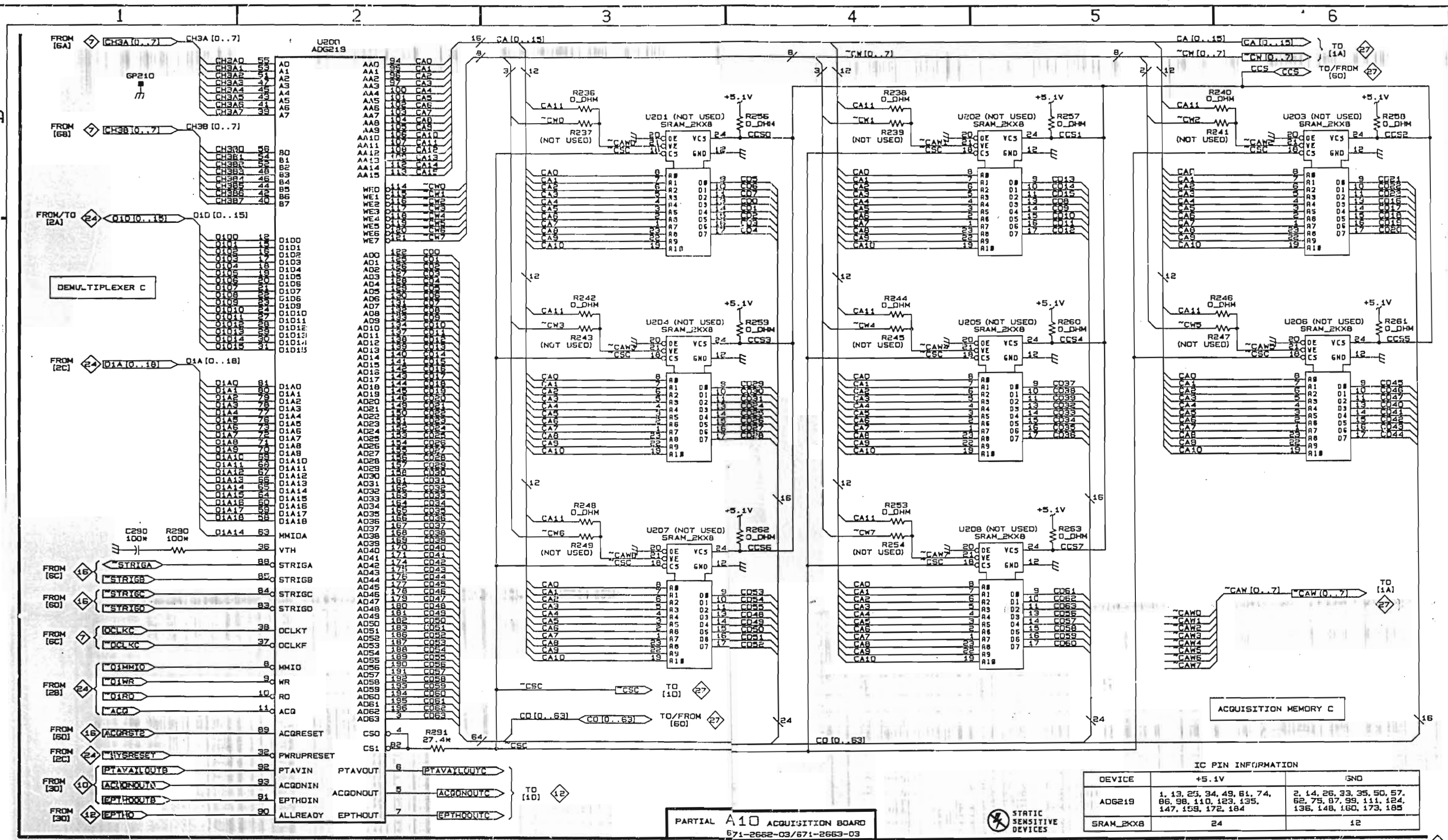
PARTIAL A10 ACQUISITION BOARD
 671-2662-03/671-2663-03

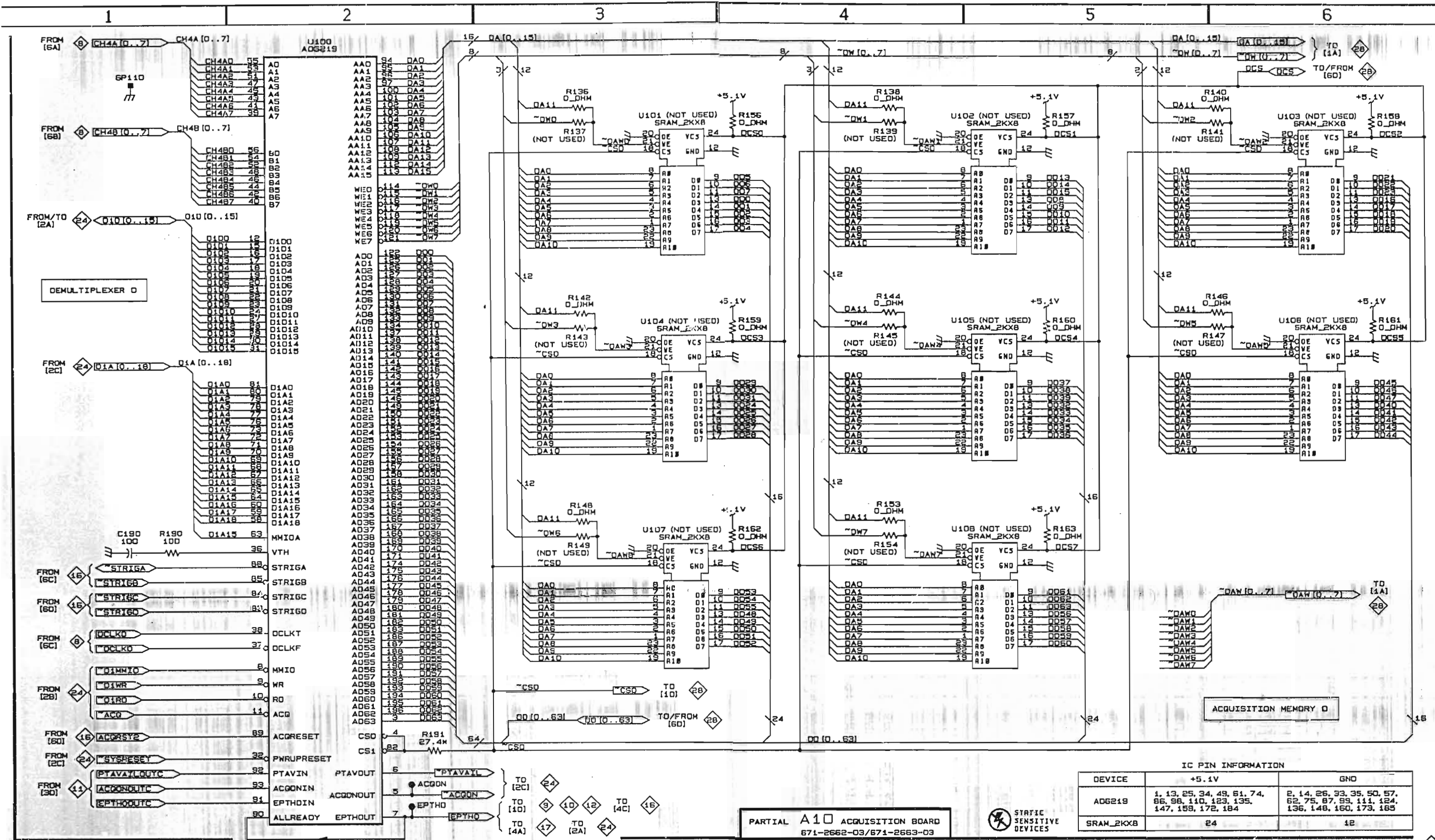
CHANNEL C CONVERTER A10



PARTIAL A10 ACQUISITION BOARD
671-2662-03/671-2663-03







DEMULTIPLXER 0

ACQUISITION MEMORY 0

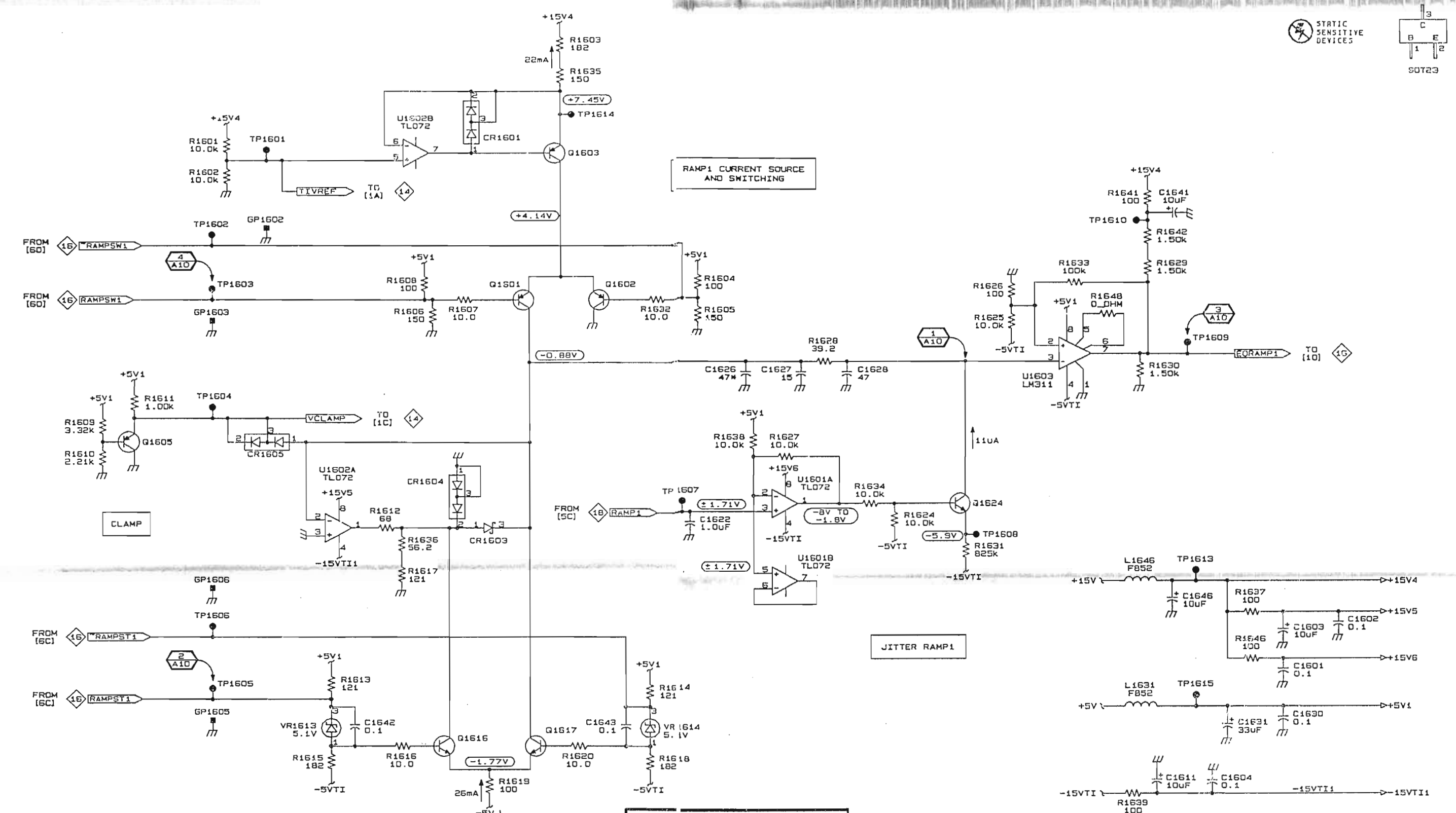
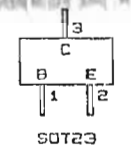
IC PIN INFORMATION

DEVICE	+5.1V	GND
ADG219	1, 13, 25, 34, 49, 51, 74, 86, 98, 110, 123, 135, 147, 159, 172, 184	2, 14, 26, 33, 35, 50, 57, 62, 75, 87, 89, 111, 124, 136, 148, 160, 173, 185
SRAM_2KX8	24	12

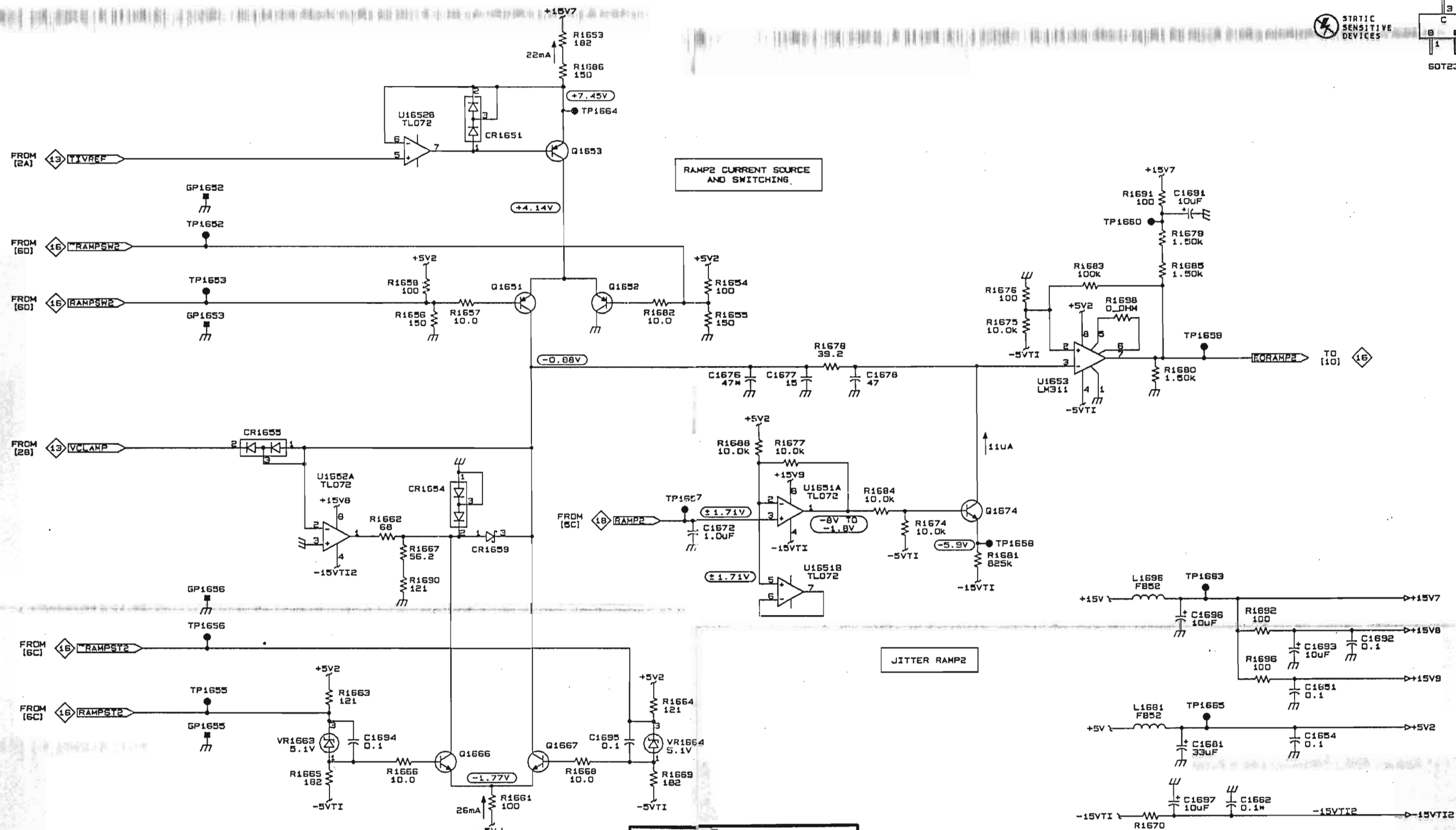
PARTIAL A10 ACQUISITION BOARD
671-2662-03/671-2663-03



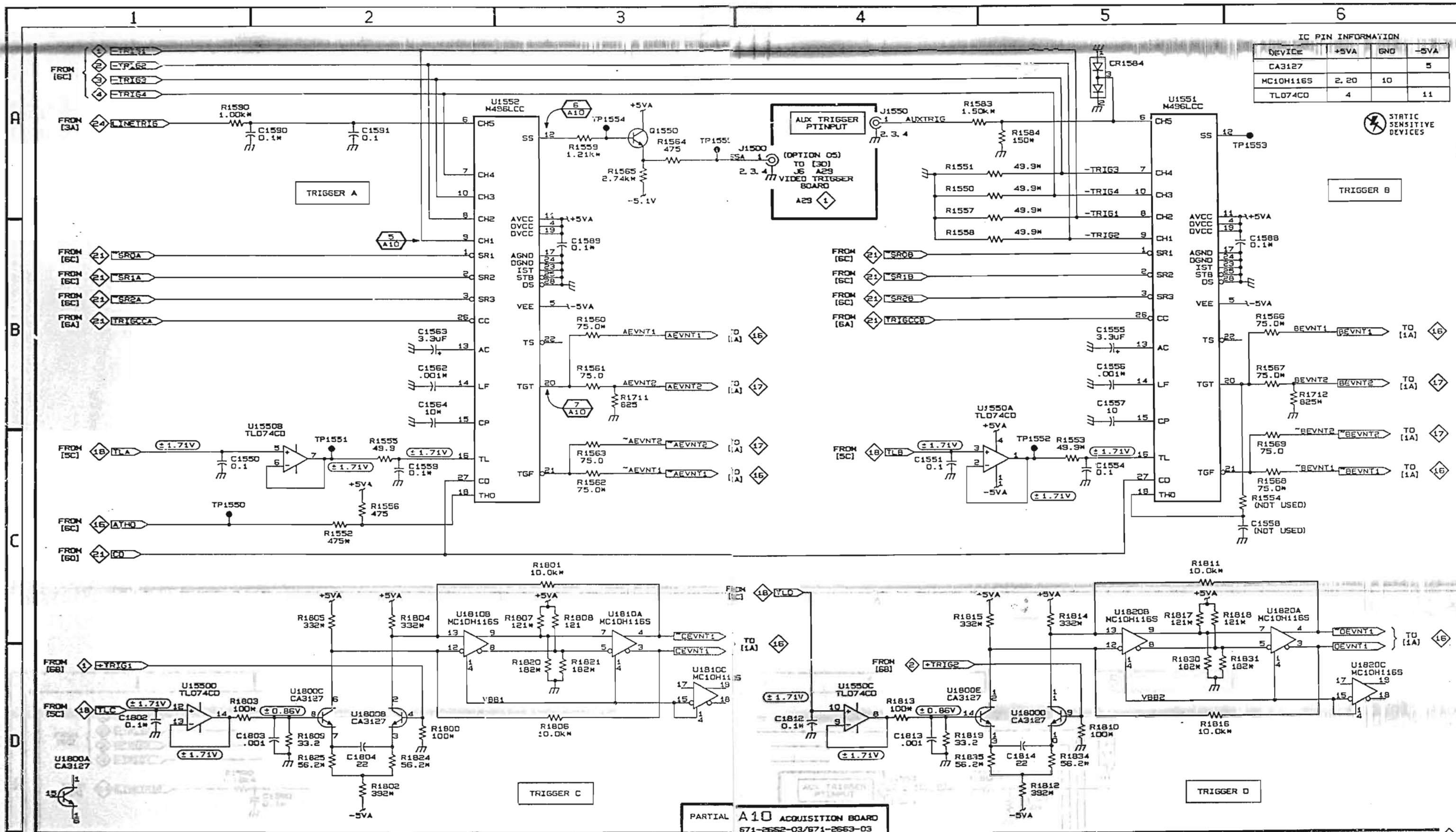
STATIC SENSITIVE DEVICES

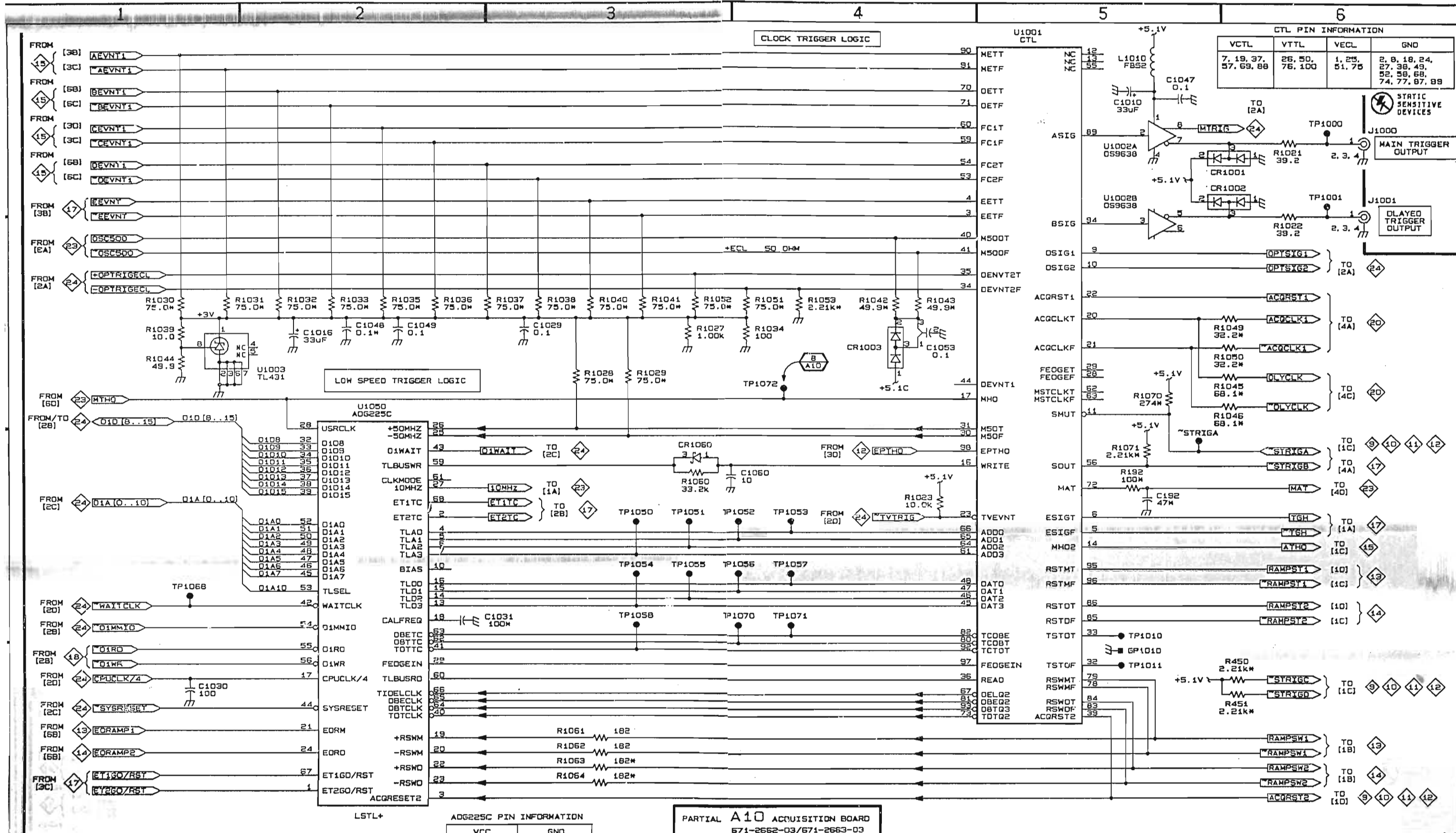


PARTIAL A10 ACQUISITION BOARD
671-2662-03/671-2663-03



PARTIAL A10 ACQUISITION BOARD
671-2662-03/671-2663-03





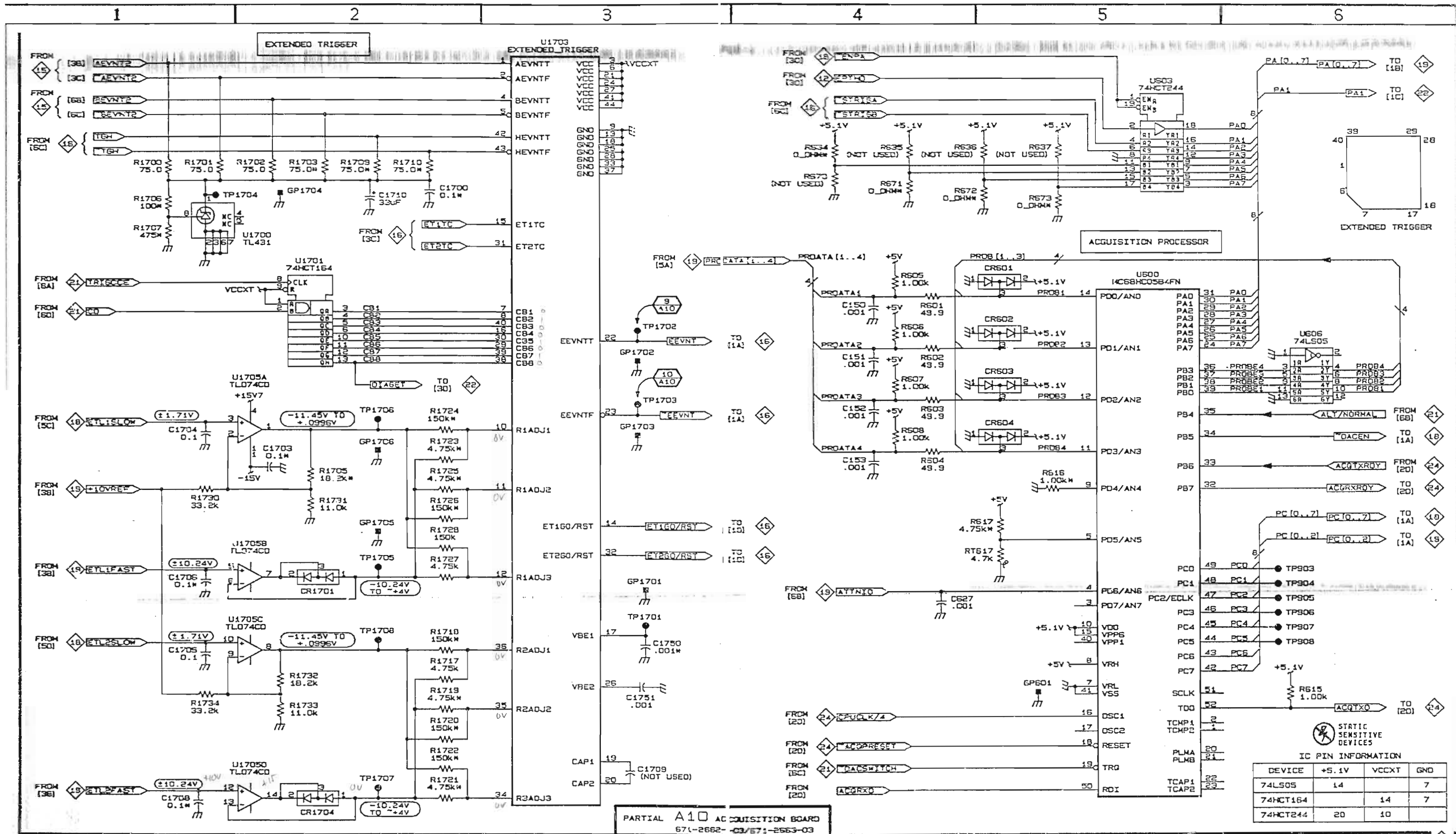
VCTL	VTTL	VECL	GND
7, 19, 37, 57, 63, 89	26, 50, 76, 100	1, 25, 51, 75	2, 8, 18, 24, 27, 38, 49, 52, 58, 68, 74, 77, 87, 89

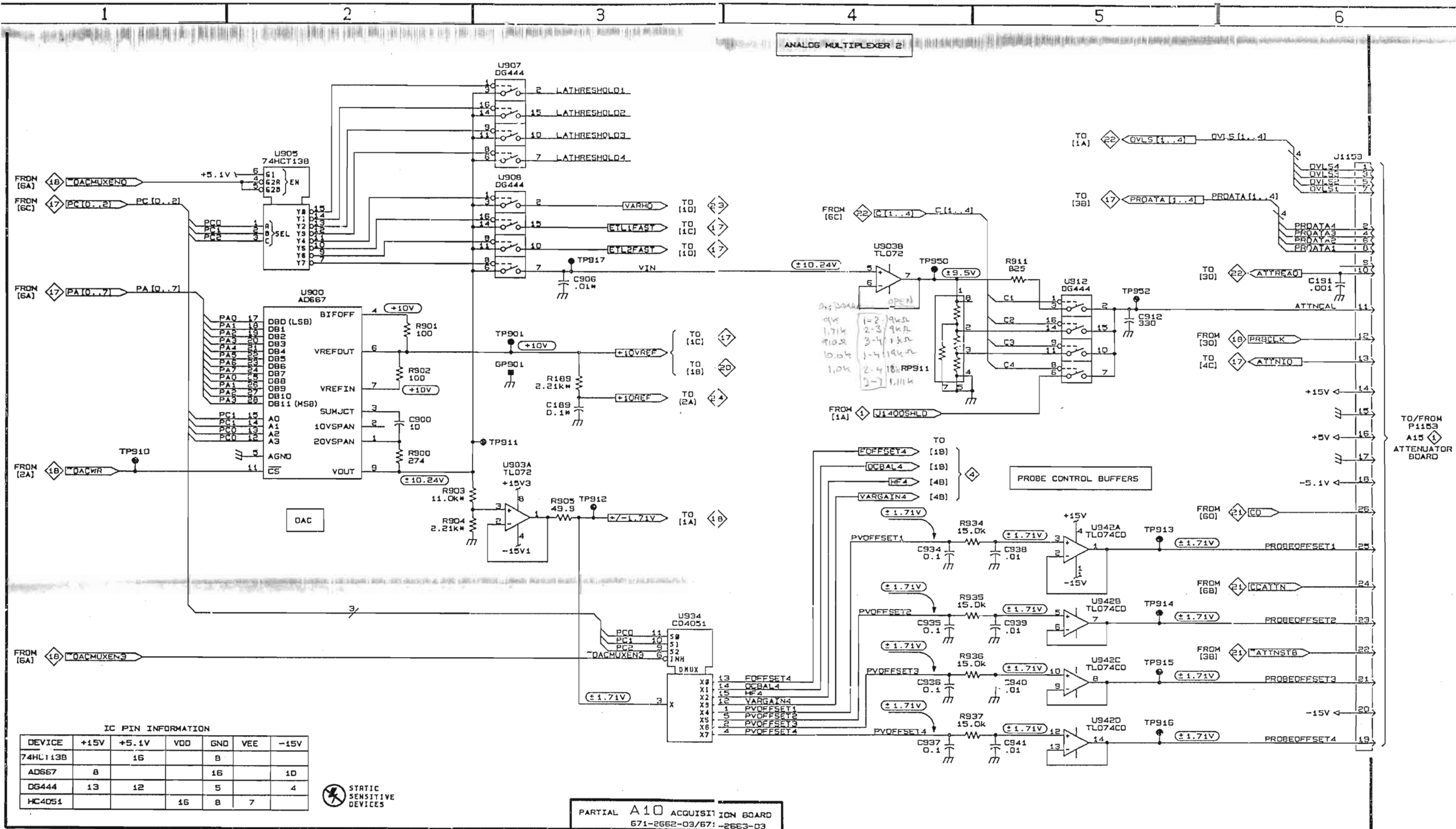
VCC	GND
8, 11, 30, 57	9, 12, 31, 58

PARTIAL A10 ACQUISITION BOARD
671-2662-03/671-2663-03

TDS 544A

TRIGGER LOGIC A10 16



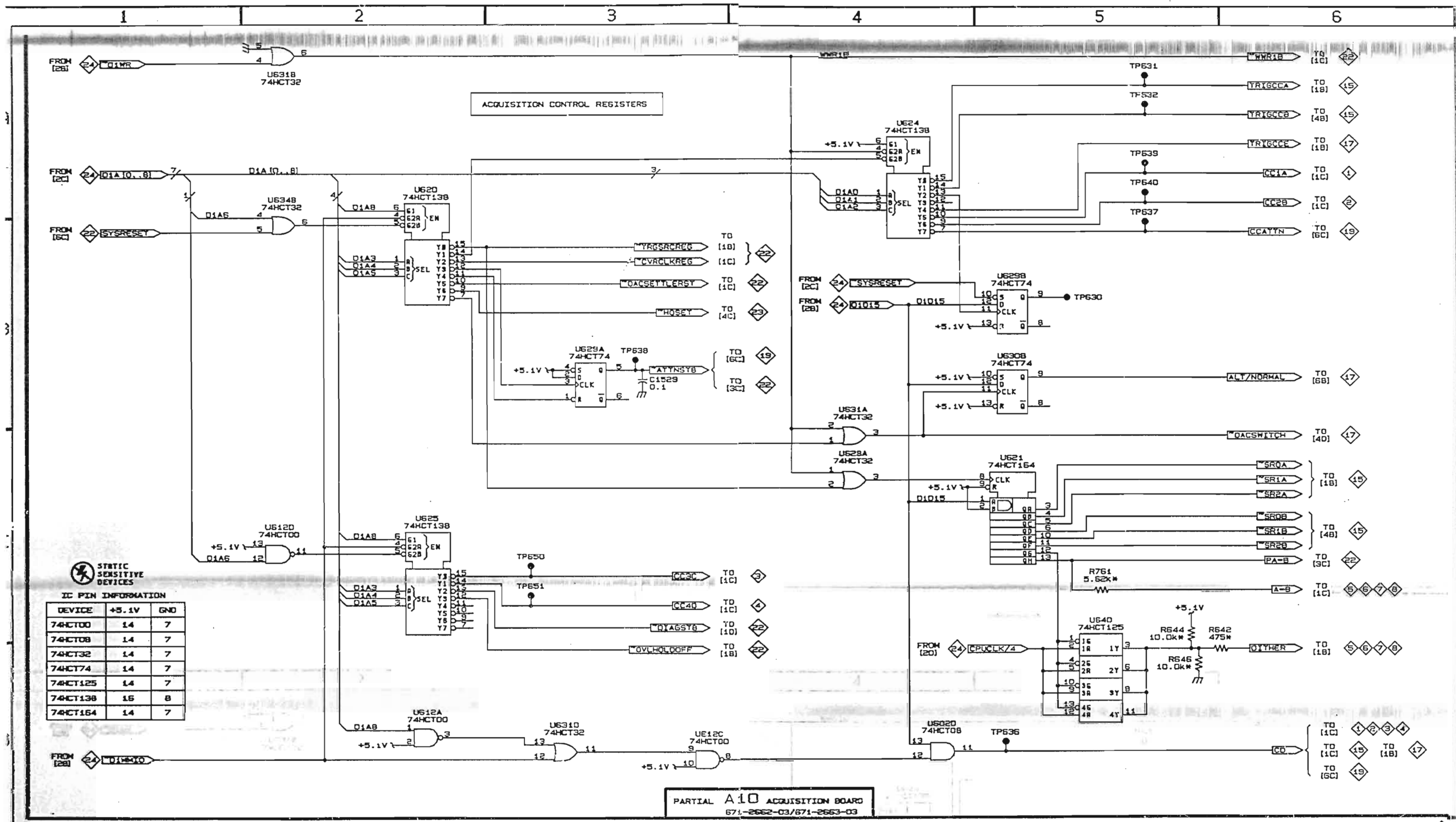


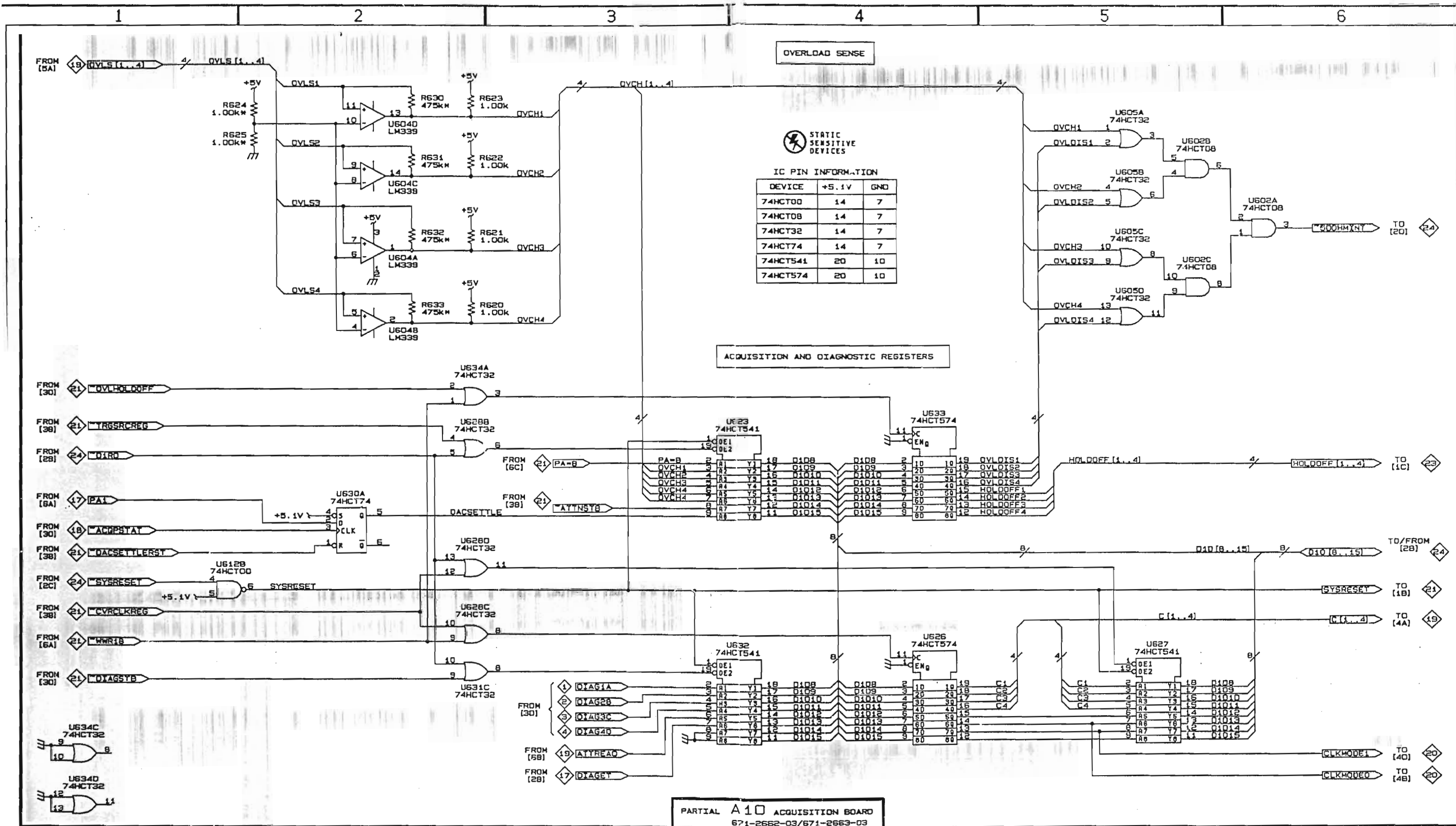
IC PIN INFORMATION

DEVICE	+15V	+5.1V	VDD	GND	VEE	-15V
74HCT138		16		8		
AD667	8			16		10
DG444	13	12		5		4
HC4051			16	8	7	

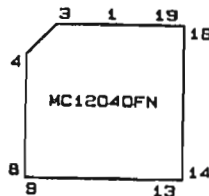
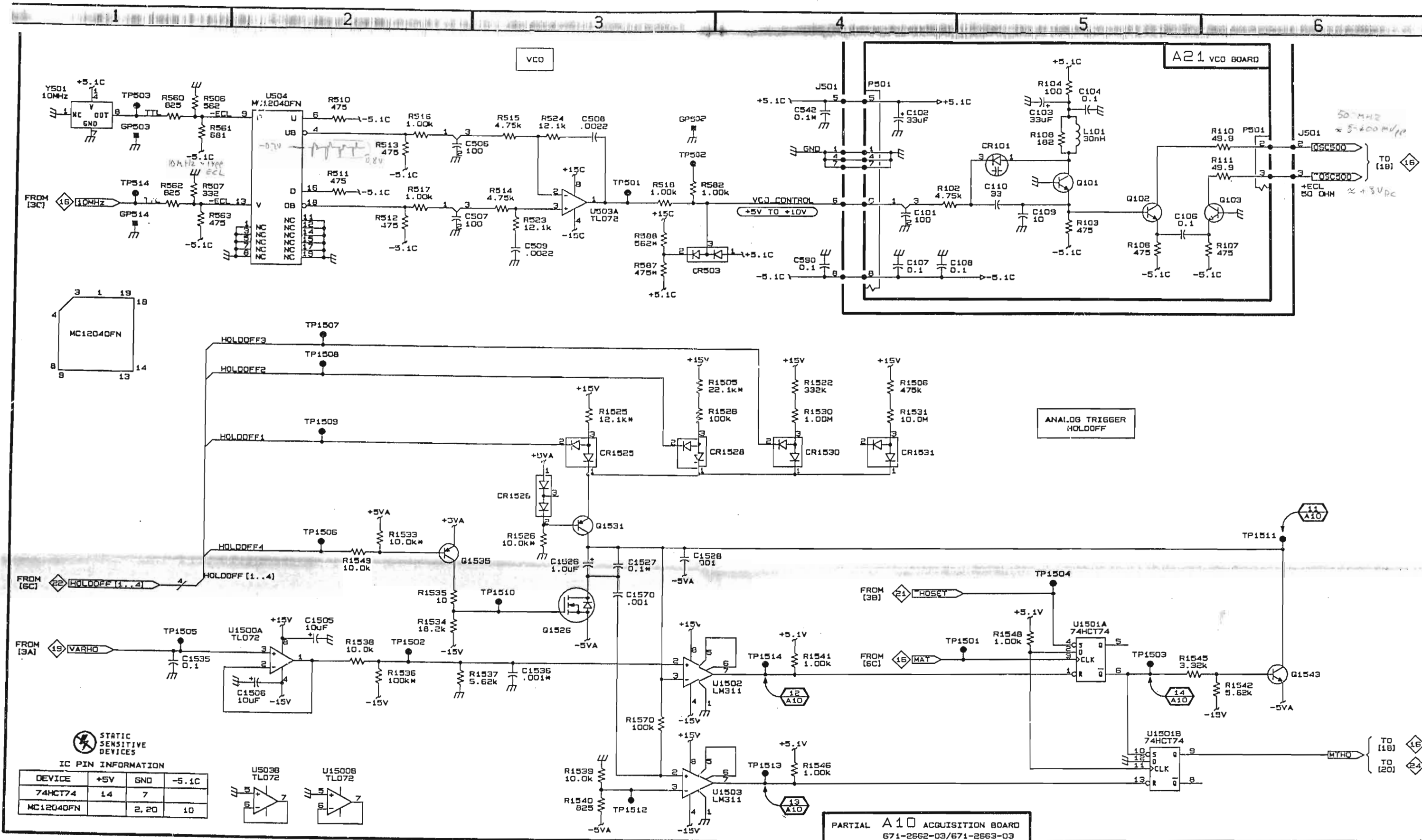
STATIC SENSITIVE DEVICES

PARTIAL A10 ACQUISITION BOARD
671-2662-03/671-2663-03





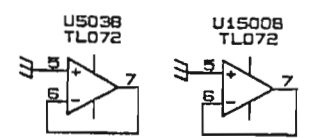
PARTIAL A10 ACQUISITION BOARD
671-2662-03/671-2663-03

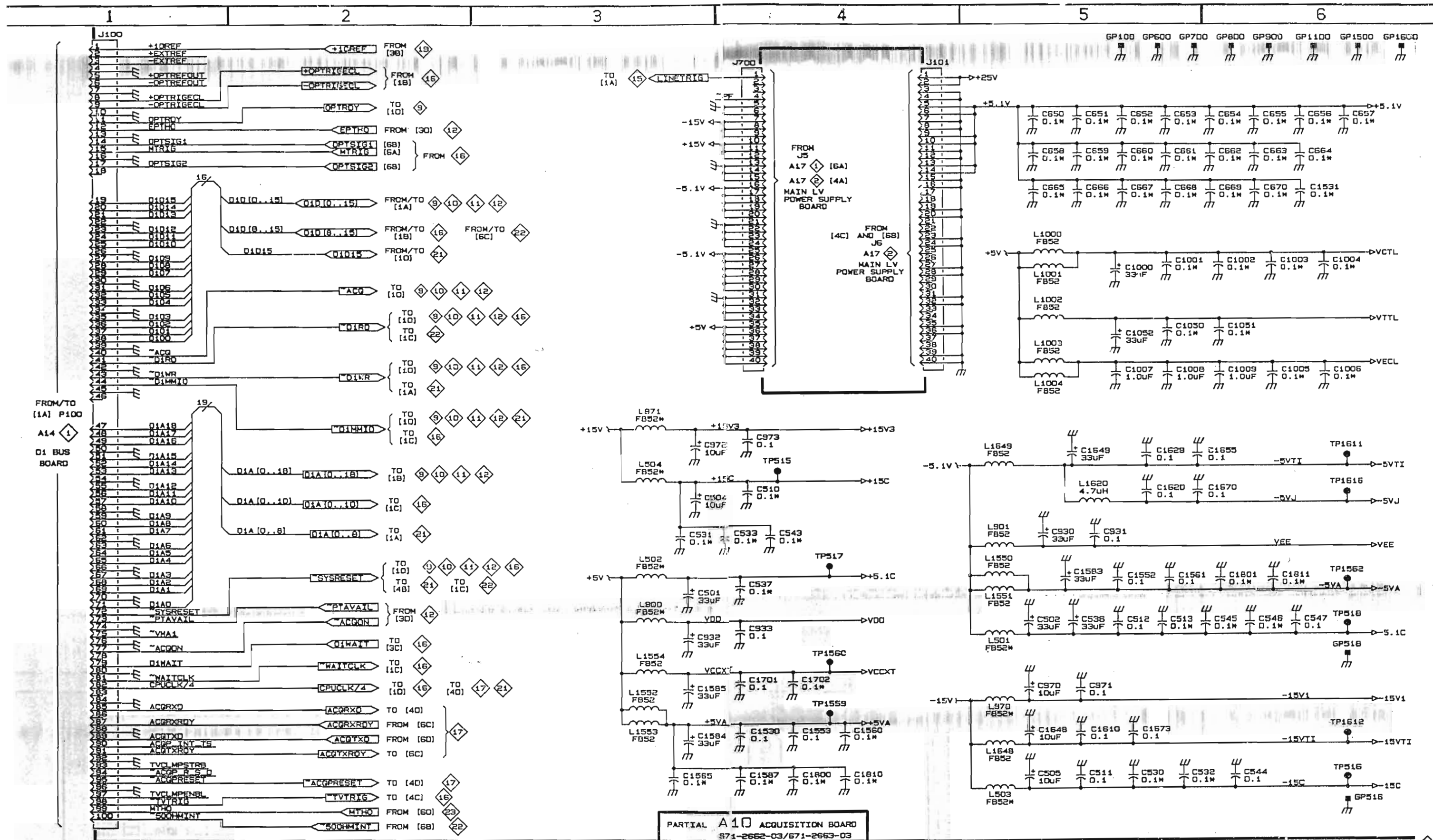


STATIC SENSITIVE DEVICES

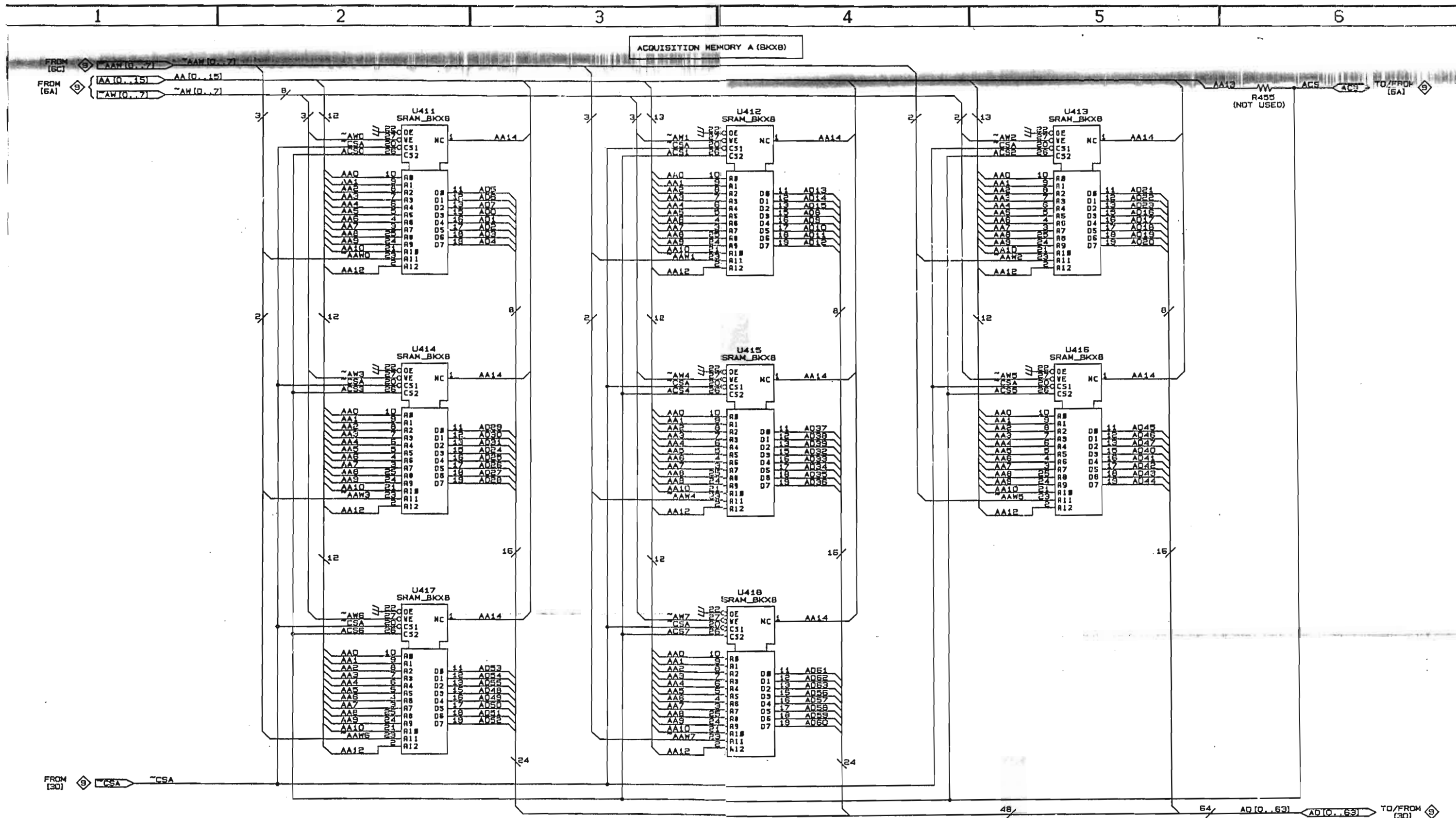
IC PIN INFORMATION

DEVICE	+5V	GND	-5.1C
74HCT74	14	7	
MC12040FN		2, 20	10

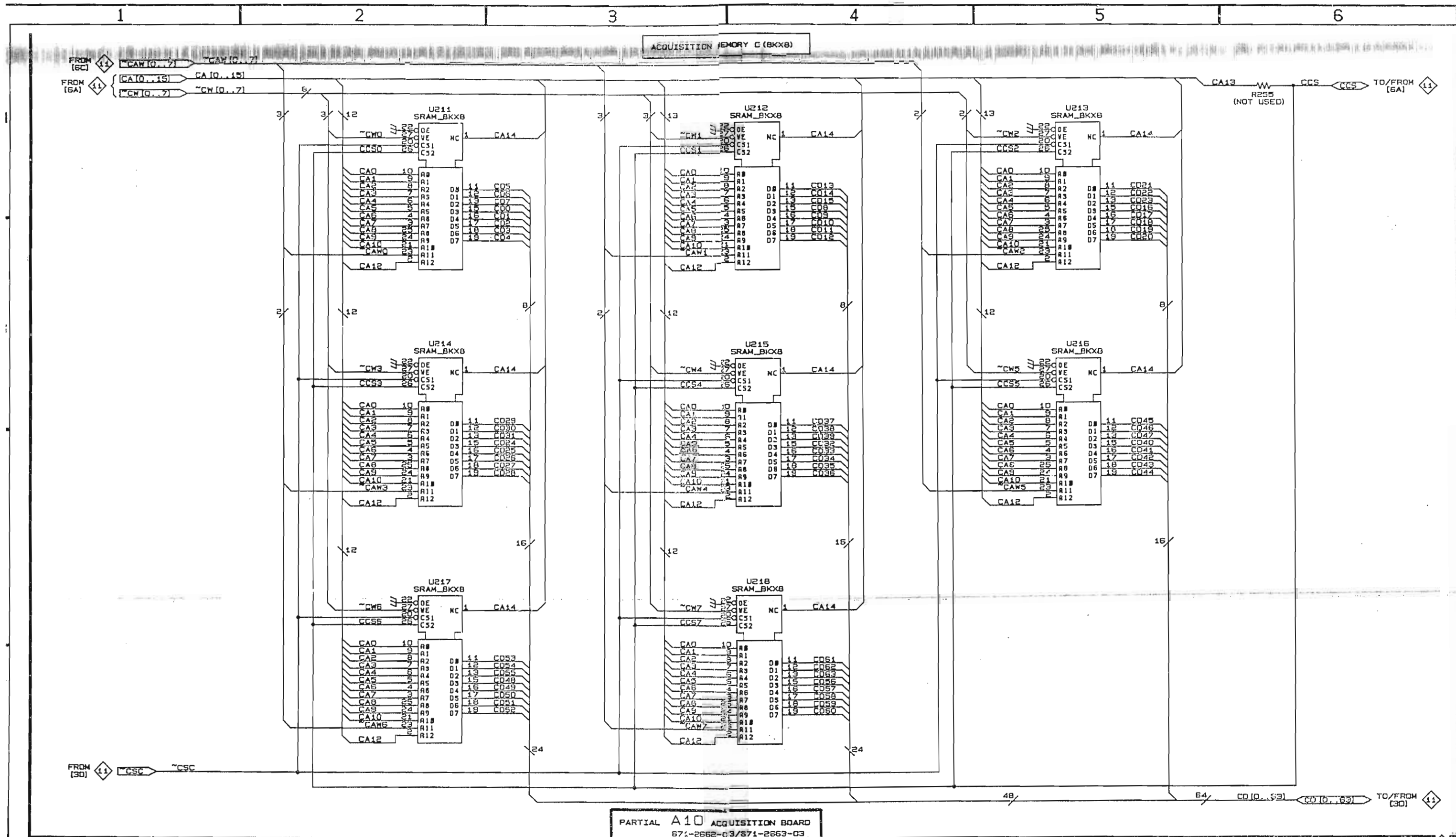


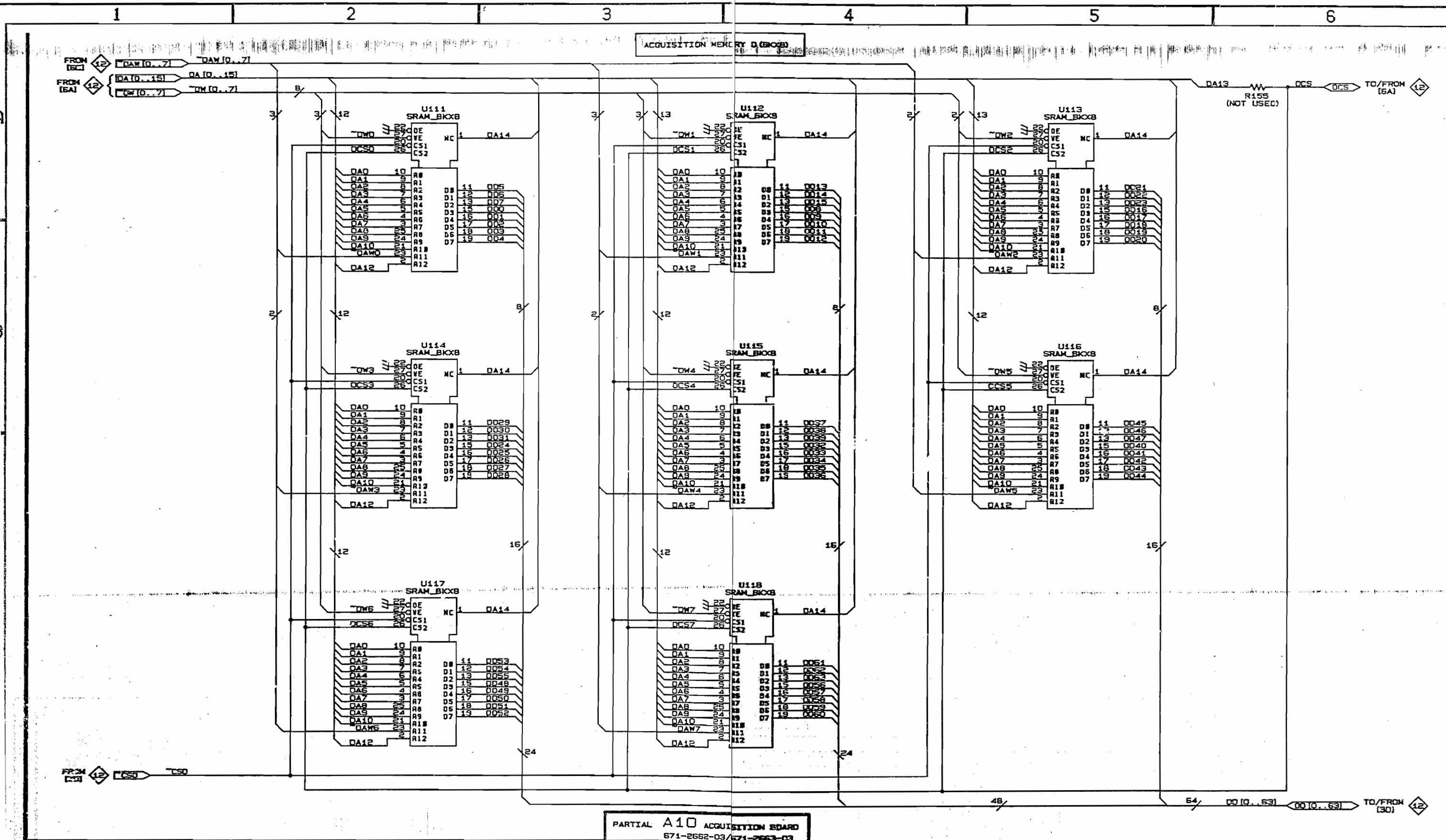


PARTIAL A10 ACQUISITION BOARD
 871-2662-03/671-2663-03

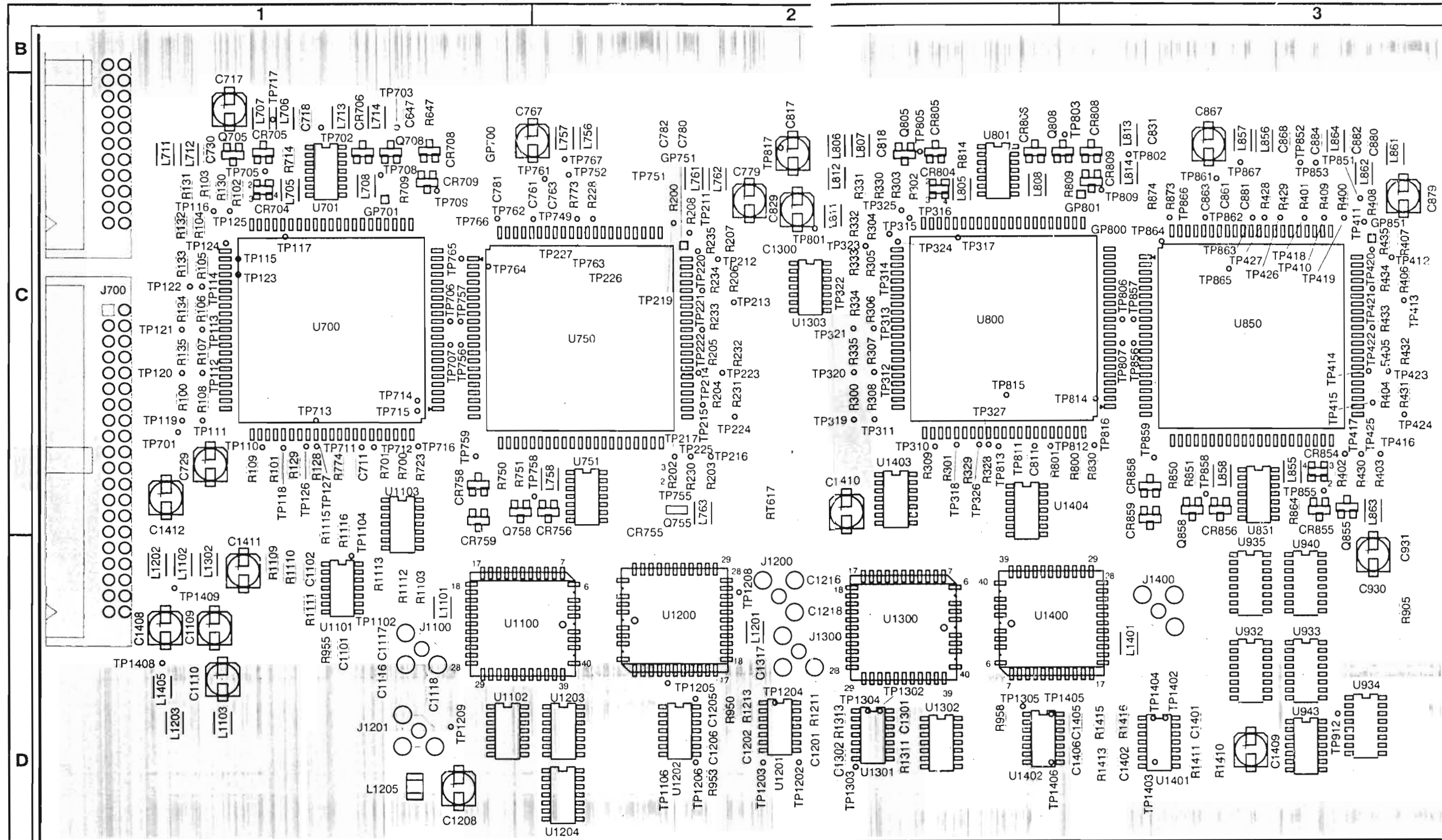


PARTIAL A10 ACQUISITION BOARD
671-2662-03//671-2663-03





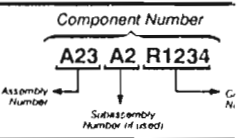
PARTIAL A10 ACQUISITION BOARD
 671-2662-03/671-2663-03



GA-0296-05

(A)	(B)
(C)	(D)

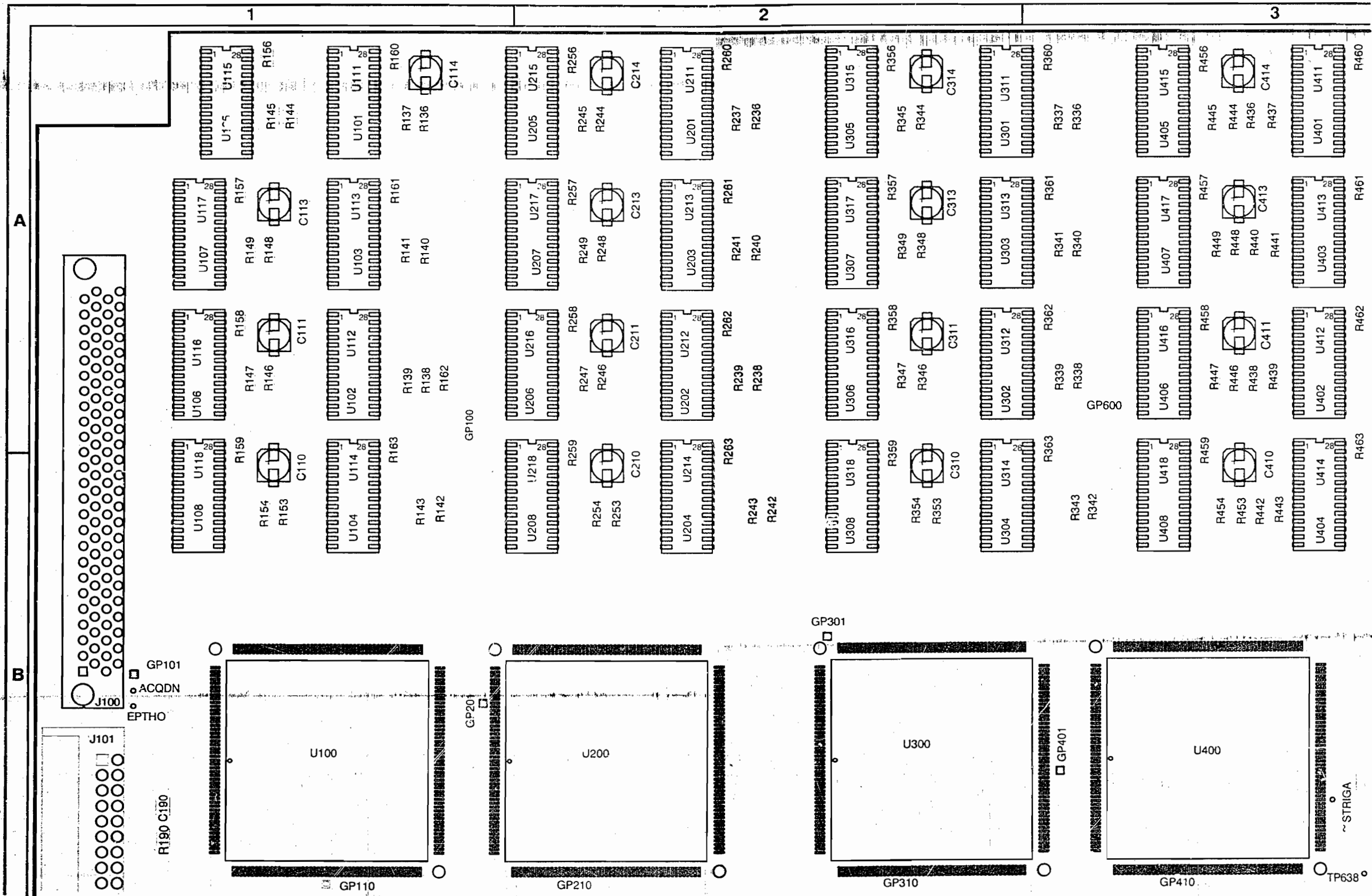
COMPONENT NUMBER EXAM



Chassis-mounted components have no Assembly prefix—see end of Replaceable Electrical Parts List

⚡ STATIC SENSITIVE DEVICES

Vol. 2 Figure 9-43: A10 Acquisition Board (Se



GA-0296-

(A)
(C)

COMPONENT NUMBER

Component

A23 A

Assembly Number

Serial Number

CLASSIFIED COMPONENTS - see end of Replace

STATIC SENSITIVE DEVICE

Vol. 2 Figure 9-41: A10 Acquisition

