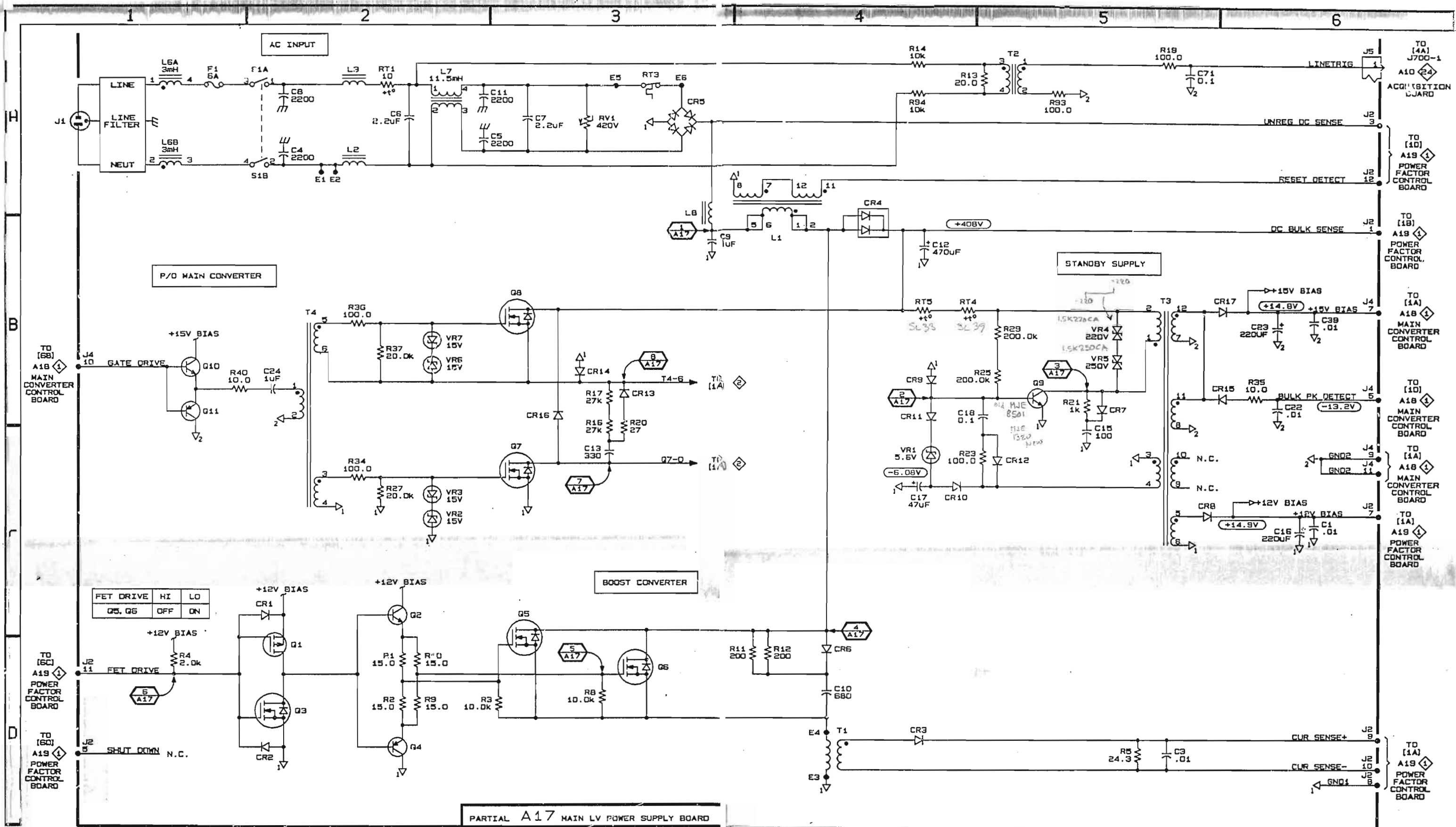


MAIN LV POWER SUPPLY BOARD

A18 MAIN CONVERTER CONTROL BOARD



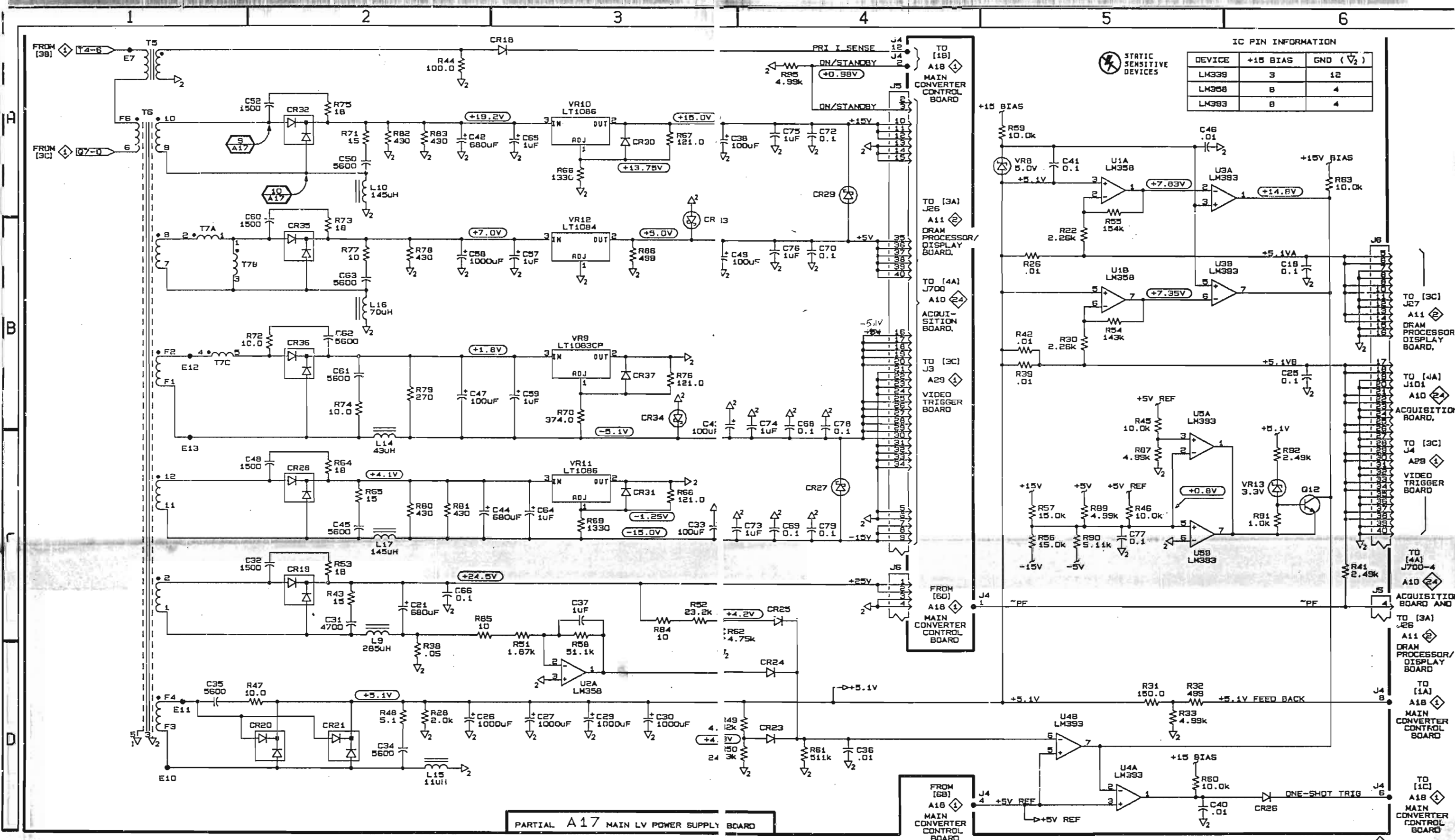


PARTIAL A17 MAIN LV POWER SUPPLY BOARD

TDS 544A

119-4415-01

AC INPUT, STANDEY SUPPLY, AND CONVERTERS A17

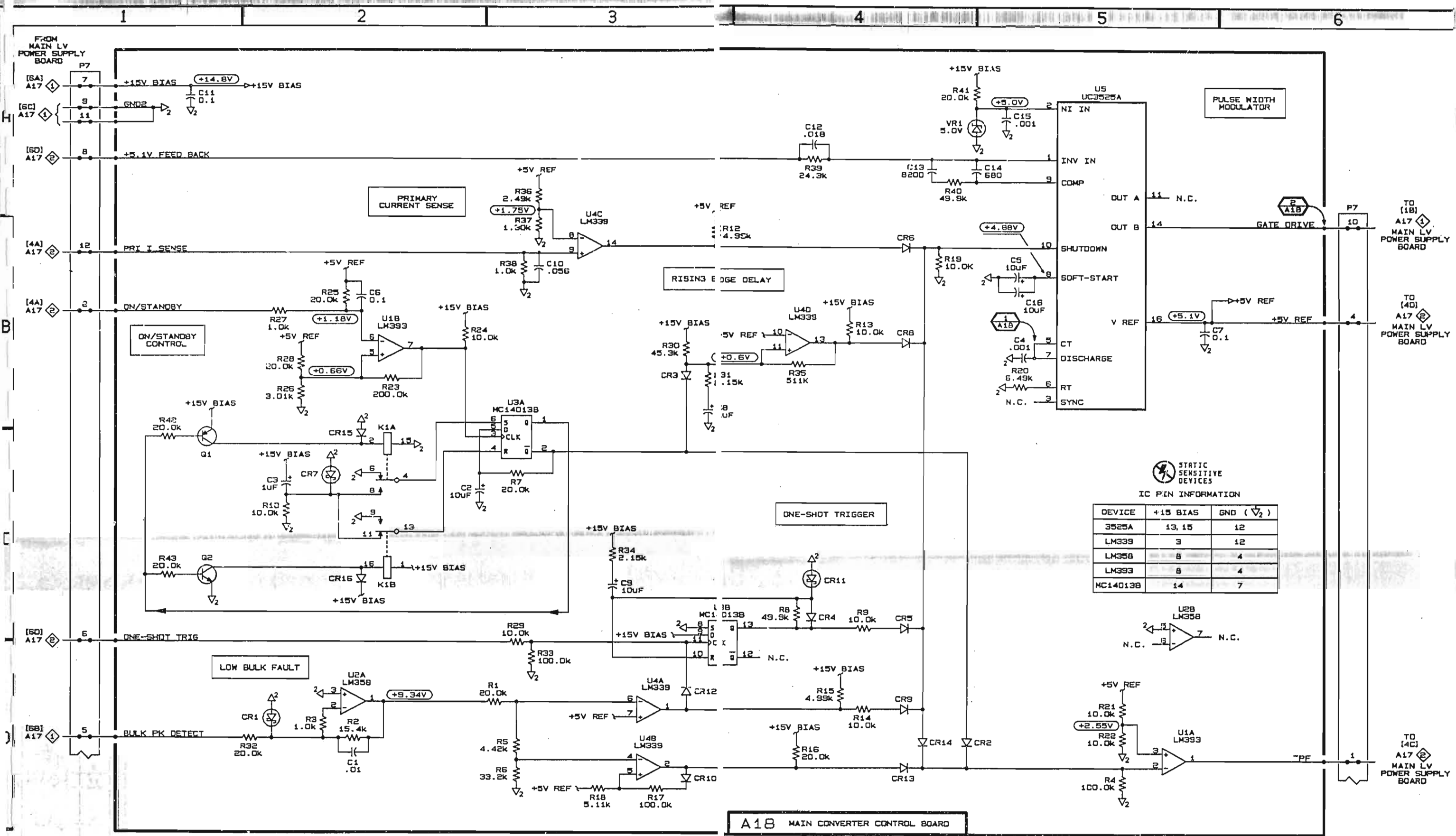


IC PIN INFORMATION

DEVICE	+15 BIAS	GND (V ₂)
LM339	3	12
LM358	8	4
LM393	8	4

PARTIAL A17 MAIN LV POWER SUPPLY BOARD

MAIN CONVERTER A17



STATIC SENSITIVE DEVICES

IC PIN INFORMATION

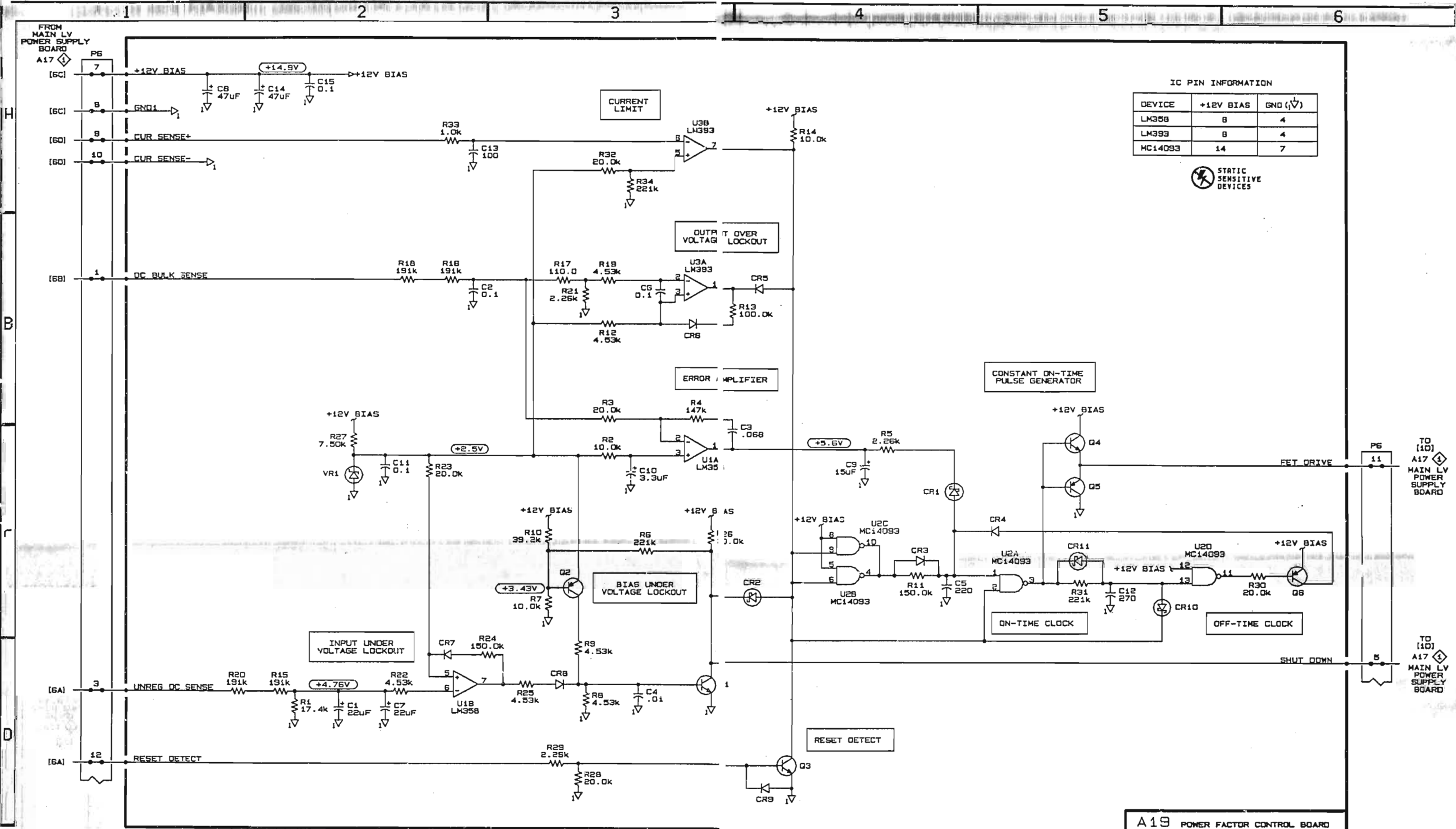
DEVICE	+15 BIAS	GND (V ₂)
3525A	13, 15	12
LM393	3	12
LM358	8	4
LM393	8	4
MC14013B	14	7

TDS 544A

A18 MAIN CONVERTER CONTROL BOARD

119-4415-01

MAIN CONVERTER CONTROL A18



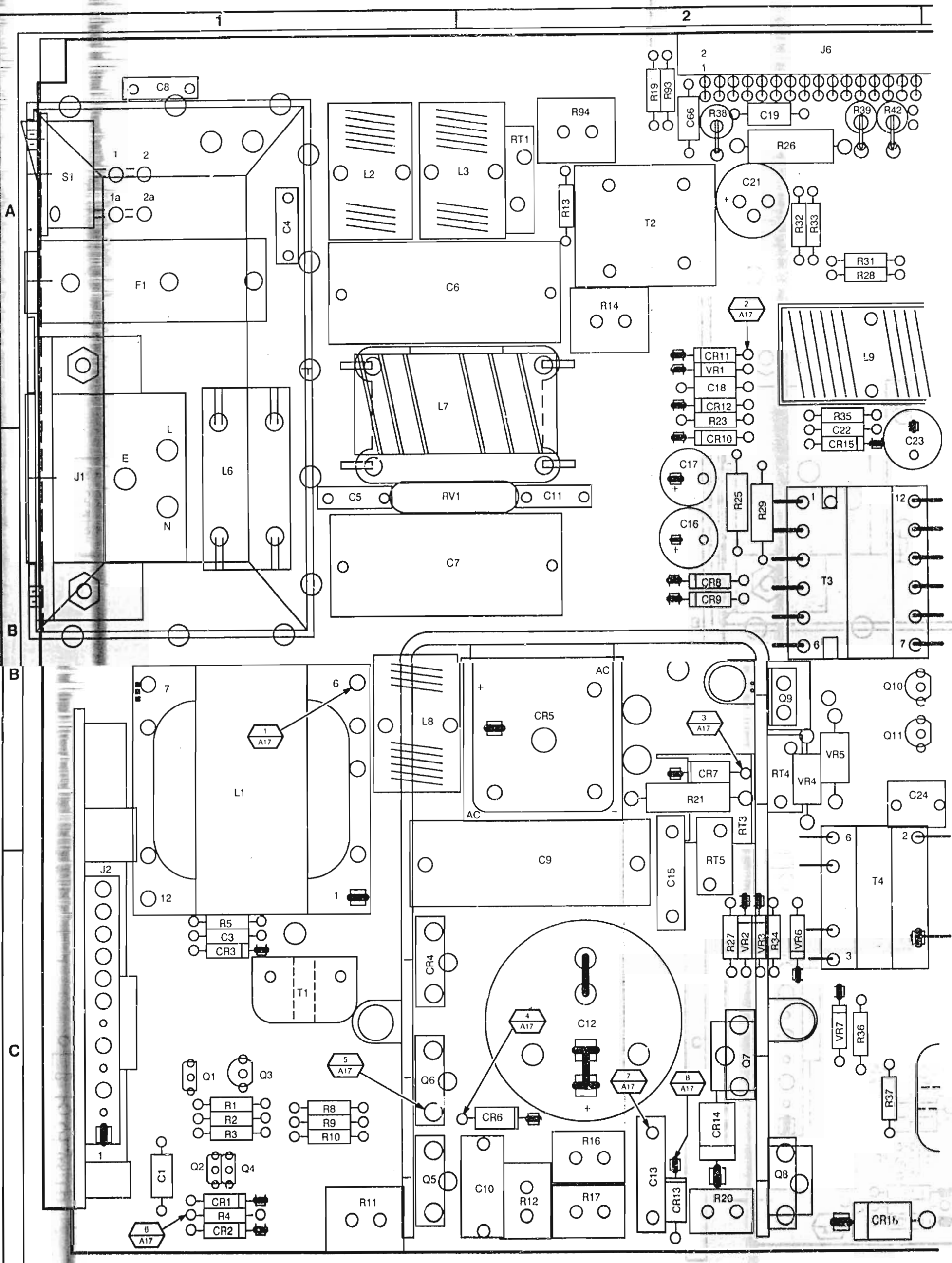
IC PIN INFORMATION

DEVICE	+12V BIAS	GND (V)
LM358	8	4
LM393	8	4
MC14093	14	7

STATIC SENSITIVE DEVICES

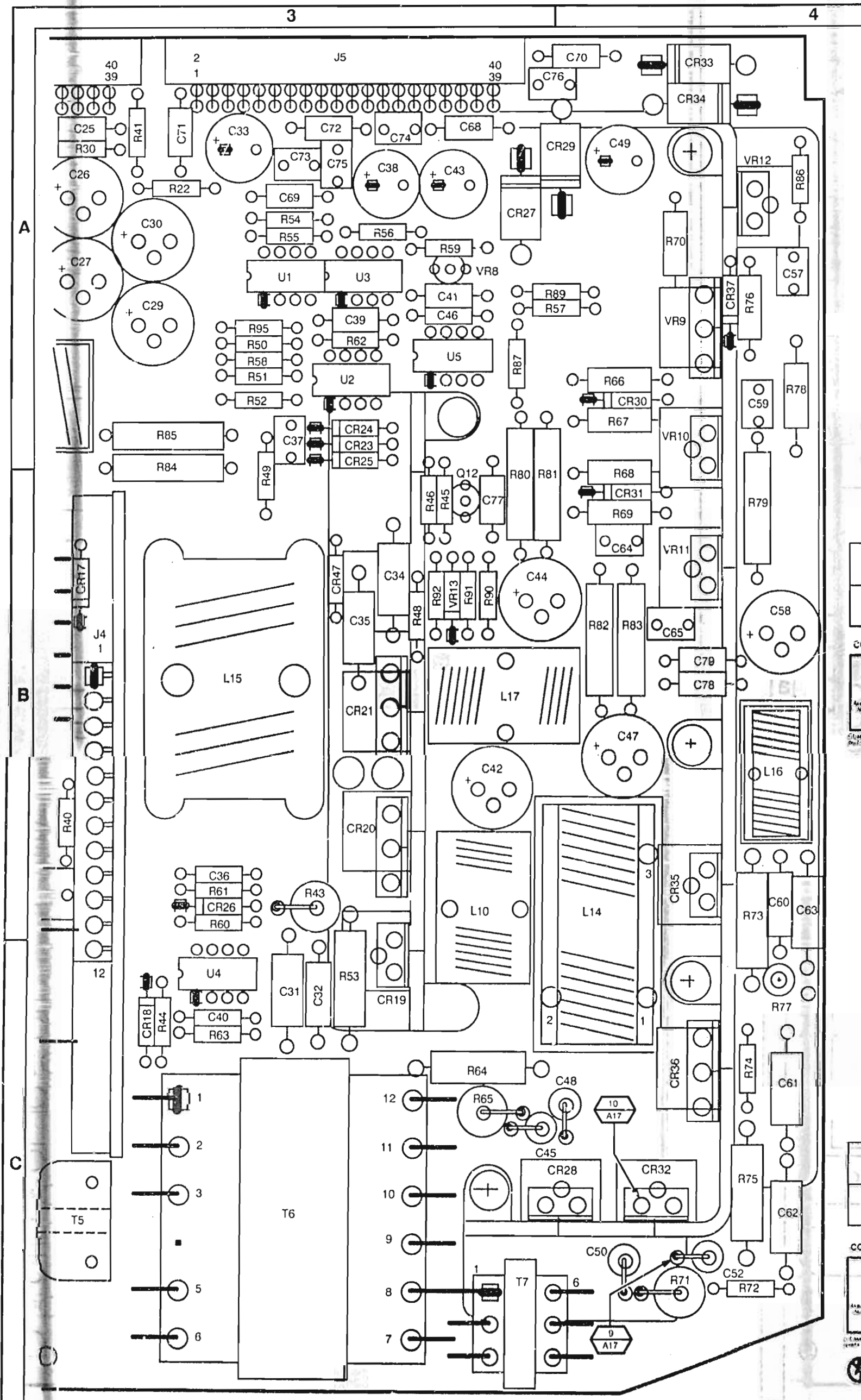
TDS 544A

POWER FACTOR CONTROL A19



(A)
(C)
COMPONE
A2
STA
SEN
DEV

(A)
(G)
COMPONE
A2
STA
SEN
DEV



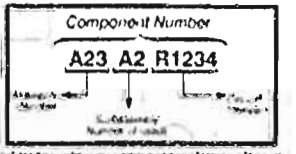
(A)	(B)
(C)	(D)

COMPONENT NUMBER EXAMPLE

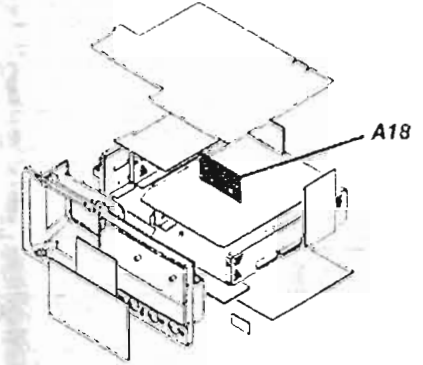
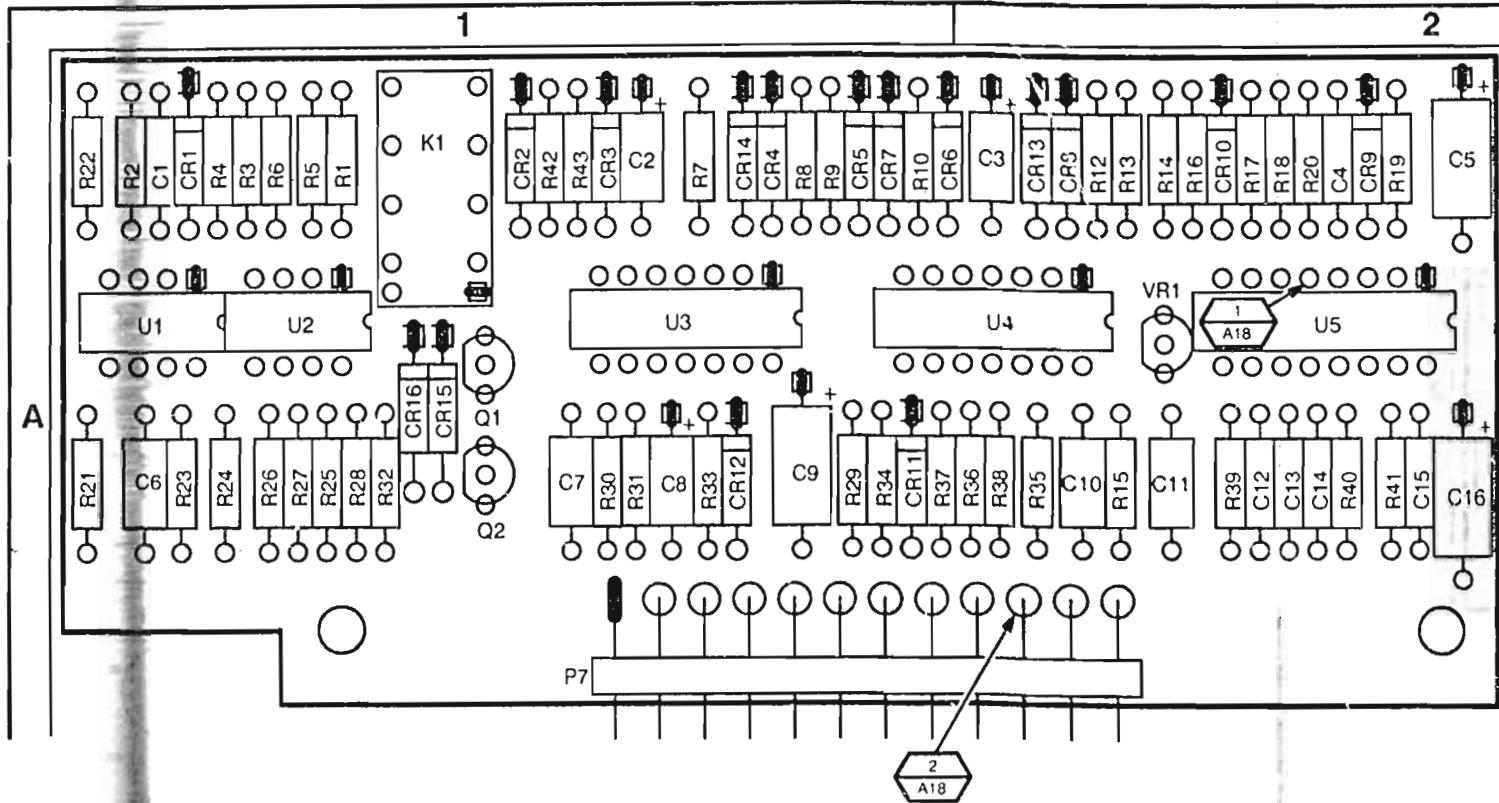


(A)	(B)
(C)	(D)

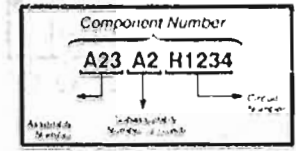
COMPONENT NUMBER EXAMPLE



STATIC SENSITIVE DEVICES

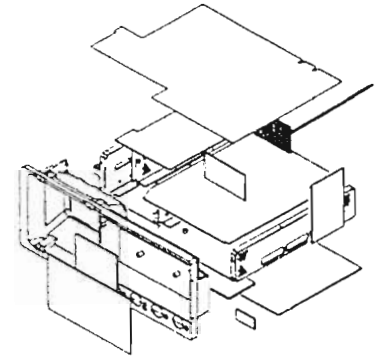
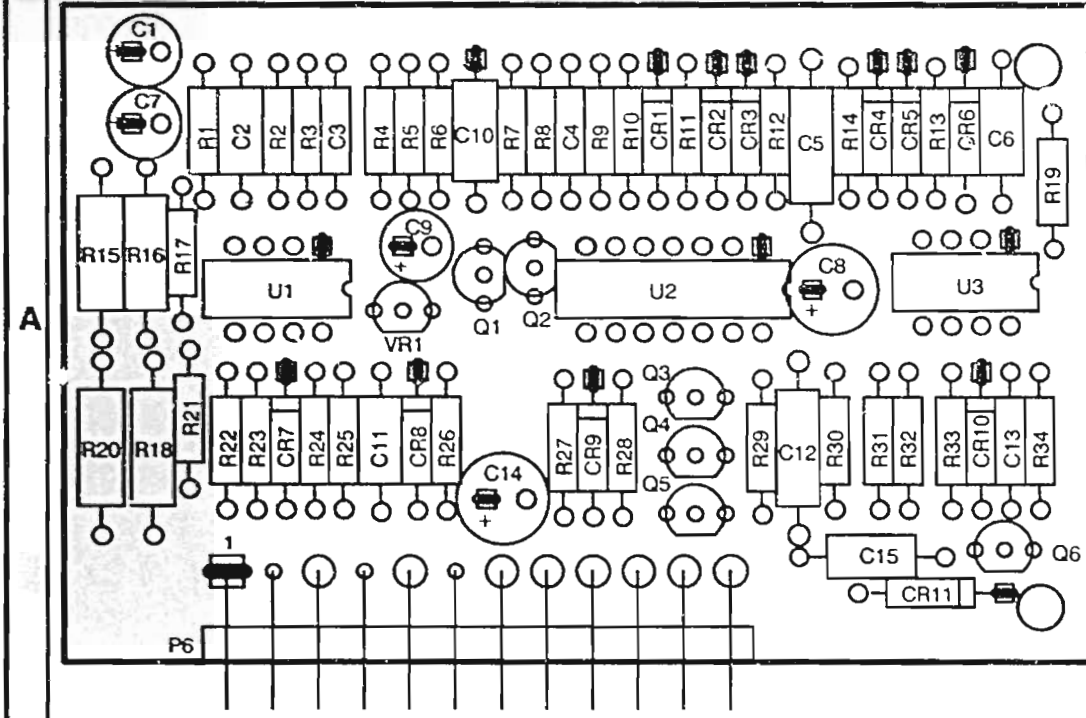


COMPONENT NUMBER EXAMPLE

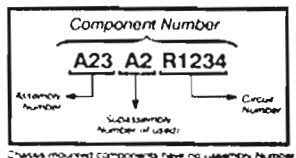


Use this number to identify components in the Assembly Manual.
 (A1) Use this number to identify components in the Parts List.





COMPONENT NUMBER EXAMPLE



Chassis mounted components have no assembly number prefix - see end of Reproducible Electrical Parts List

STATIC SENSITIVE DEVICES

Vol. 2 Figure 9-146: A19 Power Factor Control Board