

Replaceable Electrical Parts—OCSG

Component No.	Tektronix Part No.	Serial/Model No. Eff Dscont	Name & Description	Mfr Code	Mfr Part Number
A1	067-1049-00 670-7328-00		FIXTURE,CAL:OPTICAL CAL SIGNAL GENERATOR CKT BOARD ASSY:OPTICAL CAL GENERATOR	80009 80009	067-1049-00 670-7328-00
A1C1028	283-0421-00		CAP.,FXD,CER DI:0.1UF,+80-20%,50V	04222	DG015E104Z
A1C1048	285-0597-00		CAP.,FXD,PLSTC:0.001UF,1%,100V	14752	410B1B102F
A1C1050	283-0421-00		CAP.,FXD,CER DI:0.1UF,+80-20%,50V	04222	DG015E104Z
A1C1054	281-0773-00		CAP.,FXD,CER DI:0.01UF,10%,100V	04222	GC70-1C103K
A1C2020	281-0791-00		CAP.,FXD,CER DI:270PF,10%,100V	72982	8035D2AADX5R271K
A1C2024	283-0421-00		CAP.,FXD,CER DI:0.1UF,+80-20%,50V	04222	DG015E104Z
A1C2026	290-0770-00		CAP.,FXD,ELCTLT:100UF,+50-10%,25V	56289	502D230
A1C2040	281-0814-00		CAP.,FXD,CER DI:100PF,10%,100V	04222	GC70-1-A101K
A1C2042	283-0421-00		CAP.,FXD,CER DI:0.1UF,+80-20%,50V	04222	DG015E104Z
A1C2052	290-0804-00		CAP.,FXD,ELCTLT:10UF,+50-10%,25V	55680	25ULA10V-T
A1C2054	290-0804-00		CAP.,FXD,ELCTLT:10UF,+50-10%,25V	55680	25ULA10V-T
A1C2056	290-0804-00		CAP.,FXD,ELCTLT:10UF,+50-10%,25V	55680	25ULA10V-T
A1C2057	283-0421-00		CAP.,FXD,CER DI:0.1UF,+80-20%,50V	04222	DG015E104Z
A1C2059	283-0421-00		CAP.,FXD,CER DI:0.1UF,+80-20%,50V	04222	DG015E104Z
A1P1020	131-0608-00		TERMINAL,PIN:0.365 L X 0.025 PH BRZ GOLD	22526	47357
A1P2010	131-0608-00		TERMINAL,PIN:0.365 L X 0.025 PH BRZ GOLD	22526	47357
A1P2040	131-0608-00		TERMINAL,PIN:0.365 L X 0.025 PH BRZ GOLD	22526	47357
A1Q1056	151-0301-00		TRANSISTOR:SILICON,PNP	27014	2N2907A
A1Q2024	151-0301-00		TRANSISTOR:SILICON,PNP	27014	2N2907A
A1Q2032	151-1108-00		TRANSISTOR:FE,N-CHANNEL,SILICON	80009	151-1108-00
A1Q2034	151-0103-00		TRANSISTOR:SILICON,NPN	80009	151-0103-00
A1Q2042	151-1108-00		TRANSISTOR:FE,N-CHANNEL,SILICON	80009	151-1108-00
A1Q2044	151-1108-00		TRANSISTOR:FE,N-CHANNEL,SILICON	80009	151-1108-00
A1R1030	323-0030-01		RES.,FXD,FILM:20.0 OHM,0.5%,0.5W	19701	MF62C
A1R1032	321-0097-00		RES.,FXD,FILM:100 OHM,1%,0.125W	91637	MFF1816G100R0F
A1R1034	321-0126-00		RES.,FXD,FILM:200 OHM,1%,0.125W	91637	MFF1816G200R0F
A1R1040	321-0417-00		RES.,FXD,FILM:215K OHM,1%,0.125W	24546	NA55D2153F
A1R1042	321-0317-00		RES.,FXD,FILM:19.6K OHM,1%,0.125W	91637	MFF1816G19601F
A1R1044	311-0644-00		RES.,VAR,NONWIR:20K OHM,10%,0.50W	73138	82-34-1
A1R1045	311-0609-00		RES.,VAR,NONWIR:2K OHM,10%,0.50W	73138	82-26-1
A1R1046	321-0286-00		RES.,FXD,FILM:9.31K OHM,1%,0.125W	91637	MFF1816G93100F
A1R1048	321-0222-00		RES.,FXD,FILM:2K OHM,1%,0.125W	91637	MFF1816G20000F
A1R1050	315-0102-00		RES.,FXD,CMPSN:1K OHM,5%,0.25W	01121	CB1025
A1R1052	315-0102-00		RES.,FXD,CMPSN:1K OHM,5%,0.25W	01121	CB1025
A1R1054	321-0303-00		RES.,FXD,FILM:14K OHM,1%,0.125W	91637	MFF1816G14001F
A1R1056	315-0202-00		RES.,FXD,CMPSN:2K OHM,5%,0.25W	01121	CB2025
A1R1058	321-0254-00		RES.,FXD,FILM:4.32K OHM,1%,0.125W	91637	MFF1816G43200F
A1R2010	321-0240-00		RES.,FXD,FILM:3.09K OHM,1%,0.125W	91637	MFF1816G30900F
A1R2011	321-0163-00		RES.,FXD,FILM:487 OHM,1%,0.125W	91637	MFF1816G487R0F
A1R2012	322-0519-01		RES.,FXD,FILM:2.49M OHM,0.5%,0.25W	91637	HFF143G24903D
A1R2013	321-0423-00		RES.,FXD,FILM:249K OHM,1%,0.125W	91637	MFF1816G24902F
A1R2014	321-0308-00		RES.,FXD,FILM:15.8K OHM,1%,0.125W	91637	MFF1816G15801F
A1R2015	321-0147-00		RES.,FXD,FILM:332 OHM,1%,0.125W	91637	MFF1816G332R0F
A1R2016	321-0355-00		RES.,FXD,FILM:48.7K OHM,1%,0.125W	91637	MFF1816G48701F
A1R2017	321-0450-00		RES.,FXD,FILM:475K OHM,1%,0.125W	91637	MFF1816G47502F
A1R2020	315-0302-00		RES.,FXD,CMPSN:3K OHM,5%,0.25W	01121	CB3025
A1R2022	321-0260-00		RES.,FXD,FILM:4.99K OHM,1%,0.125W	91637	MFF1816G49900F
A1R2027	315-0472-00		RES.,FXD,CMPSN:4.7K OHM,5%,0.25W	01121	CB4725
A1R2029	315-0102-00		RES.,FXD,CMPSN:1K OHM,5%,0.25W	01121	CB1025
A1R2032	323-0030-01		RES.,FXD,FILM:20.0 OHM,0.5%,0.5W	19701	MF62C
A1R2036	315-0102-00		RES.,FXD,CMPSN:1K OHM,5%,0.25W	01121	CB1025
A1R2038	315-0472-00		RES.,FXD,CMPSN:4.7K OHM,5%,0.25W	01121	CB4725
A1R2042	307-0057-00		RES.,FXD,CMPSN:5.1 OHM,5%,0.50W	01121	EB51G5

Replaceable Electrical Parts—OCSG

Component No.	Tektronix Part No.	Serial/Model No. Eff Dscnt	Name & Description	Mfr Code	Mfr Part Number
A1R2048	307-0057-00		RES., FXD, CMPSN: 5.1 OHM, 5%, 0.50W	01121	EB51G5
A1R2050	307-0057-00		RES., FXD, CMPSN: 5.1 OHM, 5%, 0.50W	01121	EB51G5
A1RT1053	307-0244-00		RES., THERMAL: 1K OHM, 10%	15801	FB31J1
A1S1000	260-2105-00		SWITCH, ROTARY: OUTPUT LEVEL	80009	260-2105-00
A1S1040	260-1641-00		SWITCH, SLIDE: DPDT, 0.5A, 125VAC	10389	23-021-114
A1U1050	156-1335-00		MICROCIRCUIT, DI: DUAL RETRIG RESET MONO MV	07263	96LS02
A1U1056	156-1134-00		MICROCIRCUIT, LI: OPERATIONAL AMPLIFIER	02735	CA3140EX
A1U1058	156-1173-00		MICROCIRCUIT, LI: VOLTAGE REFERENCE	04713	MC1403UDS
A1U2038	156-1134-00		MICROCIRCUIT, LI: OPERATIONAL AMPLIFIER	02735	CA3140EX
A1U2052	156-1244-00		MICROCIRCUIT, LI: VOLTAGE REGULATOR	04713	MC78LD8ACG
A1VR2030	152-0195-00		SEMICONV DEVICE: ZENER, 0.4W, 5.1V, 5%	04713	SZ11755

Replaceable Electrical Parts—OCSG

Component No.	Tektronix Part No.	Serial/Model No. Eff Dscont	Name & Description	Mfr Code	Mfr Part Number
CHASSIS PARTS					
DS10	150-1104-00		LT EMITTING DIO:INFARED,820NM,150MA	32388	SPX-3188-004
J10	131-0771-00		CONN,RCPT,ELEC:4 CONT,QUICK DISCONNECT	0000A	R0A-304 NYL
R10	311-1894-00		RES.,VAR,NONWIR:5K OHM,10%,0.75W	02111	43P502T655
R12	311-1894-00		RES.,VAR,NONWIR:5K OHM,10%,0.75W	02111	43P502T655
R14	311-1894-00		RES.,VAR,NONWIR:5K OHM,10%,0.75W	02111	43P502T655
W10	175-4755-00		CA ASSY,SP,ELEC:2,26 AWG,18.0 L,8-N	80009	175-4755-00



DIAGRAMS AND CIRCUIT BOARD ILLUSTRATIONS

Symbols

Graphic symbols and class designation letters are based on ANSI Standard Y32.2-1975.

Logic symbology is based on ANSI Y32.14-1973 in terms of positive logic. Logic symbols depict the logic function performed and may differ from the manufacturer's data.

The overline on a signal name indicates that the signal performs its intended function when it is in the low state.

Abbreviations are based on ANSI Y1.1-1972.

Other ANSI standards that are used in the preparation of diagrams by Tektronix, Inc. are:

- Y14.15, 1966 Drafting Practices.
- Y14.2, 1973 Line Conventions and Lettering.
- Y10.5, 1968 Letter Symbols for Quantities Used in Electrical Science and Electrical Engineering.

American National Standard Institute
1430 Broadway
New York, New York 10018

Component Values

Electrical components shown on the diagrams are in the following units unless noted otherwise:

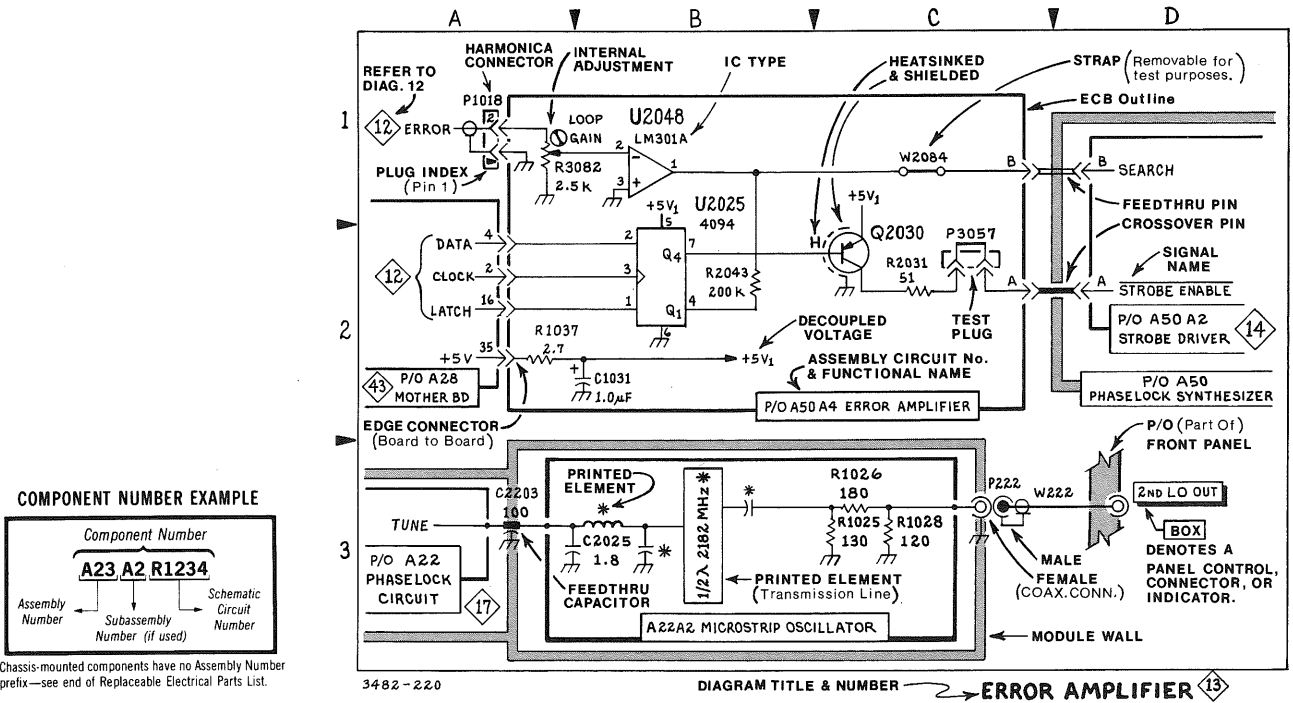
- Capacitors = Values one or greater are in picofarads (pF).
Values less than one are in microfarads (μ F).
- Resistors = Ohms (Ω).

———— The information and special symbols below may appear in this manual. ————

Assembly Numbers and Grid Coordinates

Each assembly in the instrument is assigned an assembly number (e.g., A20). The assembly number appears on the circuit board outline on the diagram, in the title for the circuit board component location illustration, and in the lookup table for the schematic diagram and corresponding component locator illustration. The Replaceable Electrical Parts list is arranged by assemblies in numerical sequence; the components are listed by component number *(see following illustration for constructing a component number).

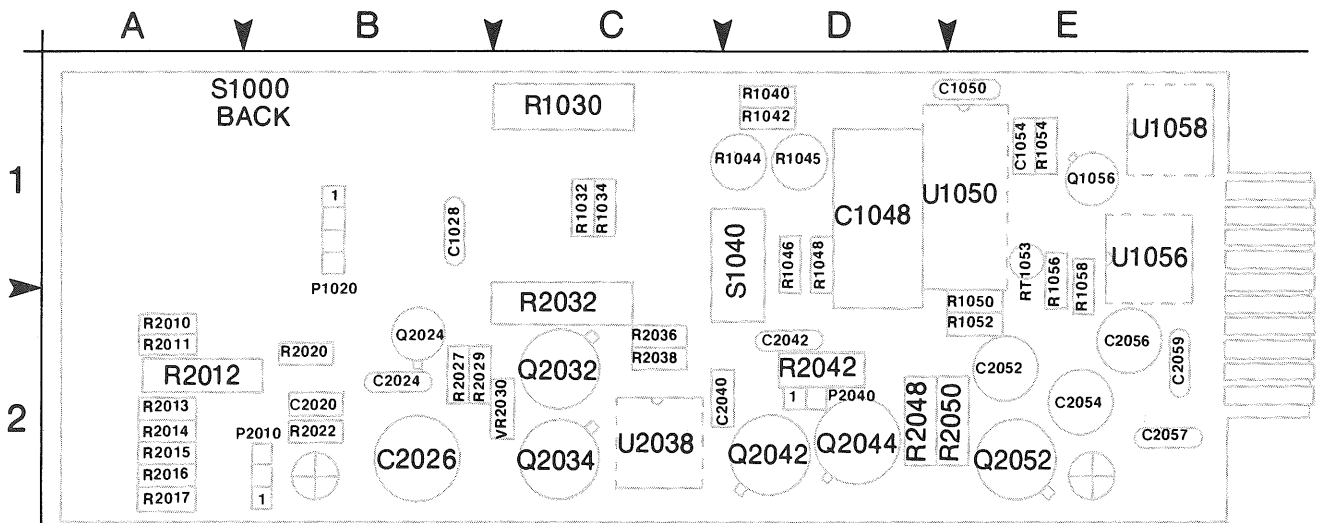
The schematic diagram and circuit board component location illustration have grids. A lookup table with the grid coordinates is provided for ease of locating the component. Only the components illustrated on the facing diagram are listed in the lookup table. When more than one schematic diagram is used to illustrate the circuitry on a circuit board, the circuit board illustration may only appear opposite the first diagram on which it was illustrated; the lookup table will list the diagram number of other diagrams that the circuitry of the circuit board appears on.



Chassis-mounted components have no Assembly Number prefix—see end of Replaceable Electrical Parts List.

3482 - 220

DIAGRAMS & CIRCUIT BOARD ILLUSTRATIONS

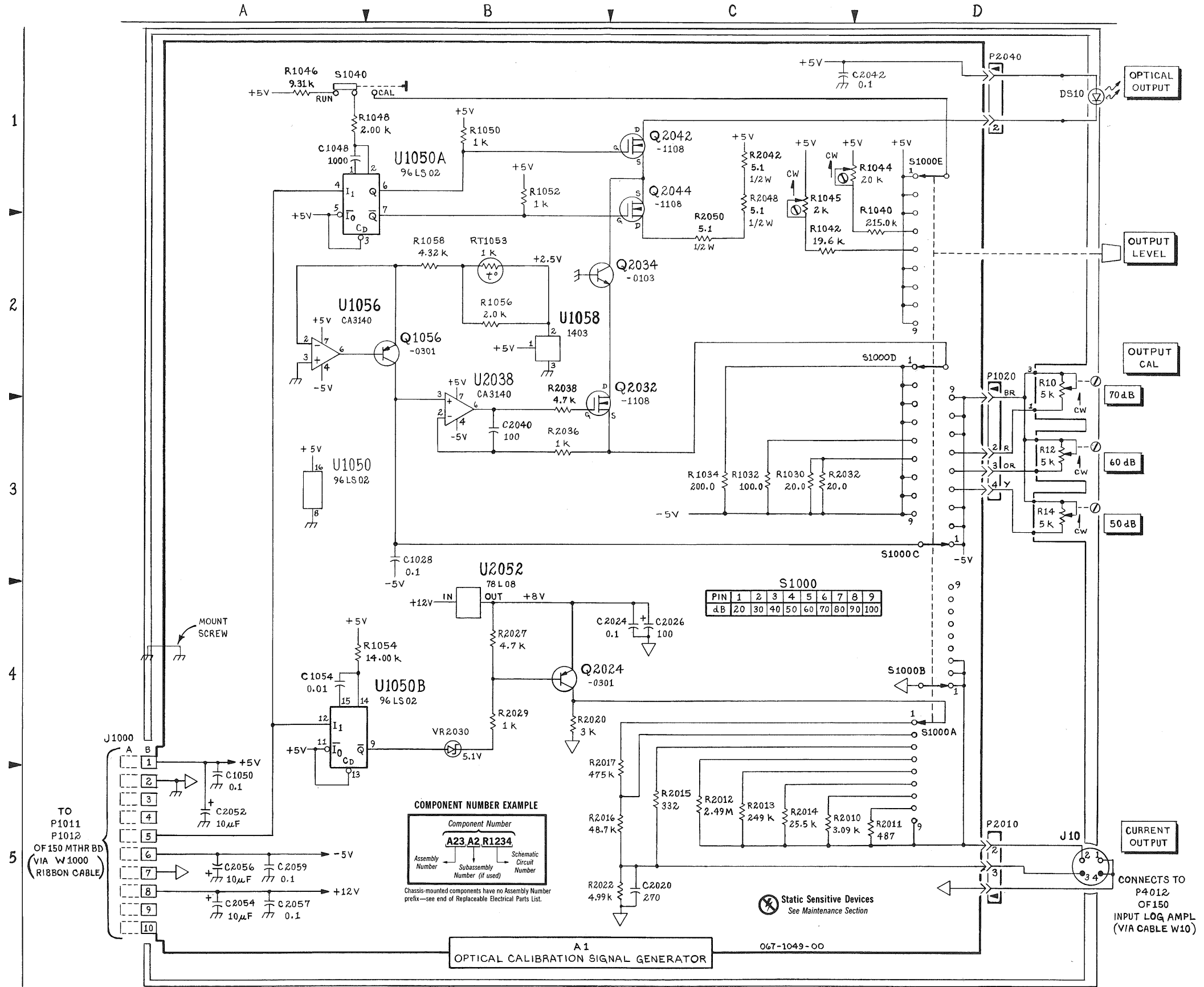


670-7328-00

OPTICAL CAL SIGNAL GENERATOR

A1

3850-03



1
2
3
4
5

TO
P1011
P1012
OF 150 MTHR BD
(VIA W1000
RIBBON CABLE)

COMPONENT NUMBER EXAMPLE

Component Number
A23, A2, R1234

Assembly Number Subassembly Number (if used) Schematic Circuit Number

Chassis-mounted components have no Assembly Number prefix—see end of Replaceable Electrical Parts List.

S1000	
PIN	dB
1	20
2	30
3	40
4	50
5	60
6	70
7	80
8	90
9	100

3850-04 @

OPTICAL CALIBRATION SIGNAL GENERATOR

OPTICAL CALIBRATION
SIGNAL GENERATOR

