

SECTION 7

TABLE OF CONTENTS

	Page
KNOB	7-2
CAPS	7-12
SHELLS	7-14
INSERTS	7-16
KNOB, LATCH	7-18
KNOB, DIAL-TURNS COUNTING	7-19
KNOB, DIAL	7-20
PUSHBUTTONS	7-22
FRAMES	7-40
PUSHBUTTONS (KEY CAPS)	7-41
CROSS REFERENCE INDEX	7-43

For Typical Knob Assembly details, see tab marked TYPICAL KNOB ASSEMBLY in the back of this catalog.

For Knob-Flute Design, see tab marked KNOB-FLUTE DESIGN in the back of this catalog.

CATALOG WRITER: SANDRA PHILLIPS, 629-3030

KNOBS^a

Fig	Part Number	Codes ^b				Shell ^c /Subpart				Cap ^d			Insert ^e
		Cost	ND	ST	ID	OD	Color	Remarks	Part No. or Assy Matl	Color	Remarks	Part Number	Part Number
1	366-1084-00	1.469	U	CR	.083	.392	Gray		366-1083-00	Black		Molded	377-0402-00
1	366-1183-00	1.481	U	CR	.083	.392	Gray		366-1083-01			Molded	377-0402-00
1	366-1265-00			OB	.084	.500	Red		366-0416-00	Red	VAR	200-0839-01	377-0323-00
1	366-0495-00	.458		OT	.096	.500	Gray	Index Slot	366-1706-00			Molded	377-0198-00
1	366-1706-00			DL	.096	.500	Gray	Index Slot	255-0113-00			Molded	377-0198-00
1	366-1540-00	1.459		CS	.126	.375	Gray	Index Dot	366-1539-00			Molded	377-0423-00
1	366-0549-00			DL	.126	.706	Gray	Index Dot	255-0302-00				377-0419-01
1	366-1601-00	2.741		CR	.126	1.396	Gray	Index Dot	366-0386-00	Black		200-0845-00	377-0439-00
1	366-0493-00	.322		CR	.127	.500	Red		366-1705-00			Molded	377-0561-00
1	366-0493-01	.370		CS	.127	.500	Red		366-1705-00		VAR	Molded	377-0561-00
1	366-0494-00	.610		CR	.127	.500	Gray	Index Dot	366-1707-00			Molded	377-0561-00
1	366-0494-02	.946	U	CR	.127	.500	Gray	Index Dot	366-1707-00	Black	STEP	Molded	377-0561-00
1	366-0494-04	.281		CR	.127	.500	Gray		366-1707-00	Black		Molded	377-0561-00
1	366-0494-05	.426		CR	.127	.500	Gray	Index Dot	366-1708-00	Gray		Molded	377-0561-00
1	366-0494-07	.367		CR	.127	.500	Gray		366-1708-00	Gray	PULL	Molded	377-0561-00
1	366-0494-08	.829		CR	.127	.500	Dove Gray		366-1708-02	Flint Gray		Molded	377-0561-00
1	366-1077-00	.600	U	CR	.127	.500	Gray	Index Dot	366-1700-00			None ^f	377-0561-00
1	366-1077-01	.681		CR	.127	.500	Gray	Index Slot	366-1714-00			None ^f	377-0561-00
1	366-1125-00	.804	U	CR	.127	.500	Gray	Index Dot	366-1708-00	Black		Molded	377-0561-00
1	366-1189-00	.494	U	CR	.127	.500	Gray	2 Index Dots	366-1707-00	Black		Molded	377-0561-00
1	366-1189-01	.920		CR	.127	.500	Gray	2 Index Dots	366-1707-00	Black	VAR	Molded	377-0561-00
1	366-1189-02	.279		CS	.127	.500	Silver Gray	2 Index Dots	366-1707-03	Black		Molded	377-0561-00
1	366-1189-05	.732	U	CR	.127	.500	Dove Gray	Index Dot	366-1708-02	Flint Gray		Molded	377-0561-00
1	366-1189-03	.282		CS	.127	.500	Ch Gray	2 Index Dots	366-1707-02	Black		Molded	377-0561-00
1	366-1189-04	.962	U	CR	.127	.500	Dove Gray		366-1708-02	Flint Gray	CAL w/Arrow	Molded	377-0561-00
1	366-1215-00	.257		CR	.127	.500	Gray	Index Slot	255-0113-00			None ^f	377-0533-00
1	366-1215-01	.424		CR	.127	.500	Gray	Index Dot	366-0381-08			None ^f	377-0217-00
1	366-1215-02	1.724		CR	.127	.500	Dove Gray	Index Dot	366-0381-09			None ^f	377-0217-00
1	366-1215-03	.709		CR	.127	.500	Dove Gray	Index Slot	366-1215-00			None ^f	377-0523-00
1	366-1317-00	.742	U	CR	.127	.500	Red		366-1705-00		CAL w/Arrow	Molded	377-0561-00
1	366-1334-00	2.080		CR	.127	.500	Gray	Index Dot	366-0381-03			None ^f	377-0199-00
1	366-1603-00	.472		CS	.127	.500	Silver Gray	Index Dot	366-0381-04			None ^f	377-0199-00
1	366-1608-00	.540		CS	.127	.500	Gray	Index Dot	366-1707-00	Red	CAL w/Arrow	Molded	377-0561-00
1	366-1647-00	.398		CS	.127	.500	Red		366-1705-00	Black	X1 X10	Molded	377-0561-00
1	366-1660-00	.252		CS	.127	.500	Gray	Index	366-1707-00			Molded	377-0561-00
1	366-1700-00			DL	.127	.500	Gray	Index	255-0113-00			None ^f	377-0561-00
1	366-1705-00			DL	.127	.500	Red		255-0219-00			Molded	377-0561-00
1	366-1707-00			DL	.127	.500	Gray	Index	255-0113-00			Molded	377-0561-00
1	366-1707-01	.980		CR	.127	.500	Gray	Index	366-1707-00			Molded	377-0561-00
1	366-1707-02			DL	.127	.500	Ch Gray		255-0081-00			Molded	377-0561-00
1	366-1707-03			DL	.127	.500	Silver Gray		255-0376-00			Molded	377-0561-00
1	366-1707-04	1.904	U	CR	.127	.500	Gray	Index	366-1707-00		CAL w/Arrow	Molded	377-0561-00
1	366-1708-00	.164		CR	.127	.500	Gray		255-0302-00			Molded	377-0561-00
1	366-1708-02			DL	.127	.500	Dove Gray		255-0644-06			Molded	377-0561-00
1	366-1708-03	.594		CR	.127	.500	Gray		366-1708-00			Molded	377-0561-00
1	366-1714-00			DL	.127	.500	Gray	Index	255-0302-00			None ^f	377-0561-00
1	366-1847-00			DL	.127	.500	Red		255-0219-00			Molded	377-0561-00
1	366-1848-00			DL	.127	.500	Gray		255-0113-00			Molded	377-0561-00
1	366-2146-03			DL	.127	.500	Gray	Index	366-1714-00			None ^f	377-0561-00
1	366-1866-00	.192		CS	.127	.500	Gray		255-0302-00			Molded	None

^a For Knob illustrations, see tab marked KNOBS in the back of this catalog.

^b The nominal price (at time of printing) is listed in the cost column. For ND (New Design Recommendations) and Status Codes, see tab marked CODES in the back of this catalog.

^c For Shell Details, see pages 7-14 and 7-15.

^d For Cap Details, see pages 7-12 and 7-13.

^e For Insert Details, see Page 7-16 and 7-17.

^f With hole for shaft or cap on top.

KNOBS^a (cont)

Fig	Part Number	Codes ^b			Shell ^c /Subpart					Cap ^d			Insert ^e Part Number	
		Cost	ND	ST	ID	OD	Color	Remarks	Part No. or Assy Matl	Color	Remarks	Part Number		
1	366-1866-01	1.163		CR	.127	.500	Gray	Index	366-1866-00			Molded	None	
1	366-1879-01	1.367		CR	.127	.500	Gray		366-1879-00			None ^f	377-0217-00	
1	366-0497-00	1.193	U	CR	.127	.706	Gray	Index Dot	366-1860-00	Black		Molded	377-0200-02	
1	366-0497-01	1.339		CR	.127	.706	Gray	Index Slot	366-1860-00	Black		Molded	377-0200-02	
1	366-0497-02	.314		CR	.127	.706	Gray	Index Dot	366-1860-00	Gray		Molded	377-0200-02	
1	366-1101-00	1.382		CR	.127	.706	Gray	Index Slot	255-0113-00			None ^f	377-0200-02	
1	366-1283-00	1.548	U	CR	.127	.706	Gray		366-0382-00		VAR	None ^f	377-0200-00	
1	366-1323-00			OB	.127	.706	Red	Index Slot	366-1323-01			Molded	377-0200-02	
1	366-1323-01			OB	.127	.706	Red	Index Slot	255-0219-00			Molded	377-0200-02	
1	366-1530-00	1.205		CS	.127	.706	Gray		331-0385-00	366-1860-00	Black	Molded	377-0200-02	
1	366-1727-00	.591		CS	.127	.706	Gray		366-1860-00		Black	FINE	Molded	377-0200-02
1	366-1860-00			DL	.127	.706	Gray		255-0113-00			Molded	377-0200-02	
1	366-1860-01			DL	.127	.706	Gray		255-0302-00				377-0200-02	
1	366-2085-00			DL	.127	.706	Dove Gray	Index Slot	255-0644-06				377-0200-02	
1	366-0499-00	2.239		CS	.127	.825	Gray	Index Dot	366-0383-00		Black		200-0841-02	377-0203-00
1	366-1856-00	3.571		CR	.127	.825	Gray	Index Dot	366-0383-00		Black		200-0841-02	377-0203-00
1	366-1148-01	5.451	U	CR	.160	.706	Gray		255-0113-00			None ^f	377-0016-00	
1	366-1213-00	.367		CS	.161	.500	Gray		366-0381-03			None ^f	377-0311-00	
1	366-0496-00	.689		CR	.189	.706	Gray	Index Dot	255-0113-00		Black	Molded	377-0201-01	
1	366-0498-00	2.174		OT	.189	.825	Gray		366-0383-00		Black		200-0841-02	377-0204-00
1	366-1024-00	1.166	U	CR	.252	.706	Gray	Index Dot	366-1861-00		Black	VAR	Molded	377-0202-01
1	366-1024-01			OB	.252	.706	Gray	Index Dot	366-1024-00		Black	VAR	Molded	377-0202-01
1	366-1024-02	1.230		CR	.252	.706	Gray	Index Slot	366-1861-00		Black		Molded	377-0202-01
1	366-1025-01	4.527		CS	.252	.706	Gray	Index Slot	366-1862-00			Molded ^f	377-0202-01	
1	366-1039-00	2.587		CR	.252	.706	Gray	Index	366-0382-00		Black		200-0840-00	377-0210-00
1	366-1120-00	1.855	U	CR	.252	.706	Gray	Index Dot	255-0113-00			None ^f	377-0243-01	
1	366-1164-00	1.162		CR	.252	.706	Gray	Index Dot	255-0113-00			None ^f	377-0264-01	
1	366-1527-00	.749		CS	.252	.706	Gray		255-0113-00		Black	Molded	377-0419-01	
1	366-1605-00	1.176		CS	.252	.706	Gray		366-0382-00		Black		200-0840-00	377-0441-00
1	366-1861-00			DL	.252	.706	Gray		255-0113-00			Molded	377-0202-01	
1	366-1861-02	1.934		CR	.252	.706	Gray	Index Slot	366-0549-00					
1	366-1862-00			DL	.252	.706	Gray		255-0113-00			Molded ^f	377-0202-01	
1	366-1880-00	1.648		CR	.252	.706	Gray	Index	255-0302-00			None ^f	377-0243-01	
1	366-2020-00			DL	.252	.706	Gray	Index Slot	255-0302-00			Molded	377-0202-01	
1	366-2020-01	.938		CR	.252	.706	Gray	Index Slot	366-2020-00			Molded	377-0202-01	
1	366-2073-00			DL	.252	.706	Dove Gray	Index	255-0644-06					
1	366-2074-00	.462		CR	.252	.706	Dove Gray		366-2073-00					
1	366-1563-00	2.513		CR	.252	.825	Gray		255-0113-00		Black	Molded	377-0205-00	
1	366-2024-00	1.360	U	CR	.252	.825	Dove Gray		255-0644-06			None ^f	377-0555-00	
1	366-2025-00	1.076	U	CR	.252	.916	Dove Gray	Index	255-0644-06			Molded	377-0554-00	
1	366-1837-00	1.986		CR	.252	1.041	Gray		366-0384-02		Gray		200-0843-01	377-0207-00
1	366-1007-00	1.406	U	CR	.252	1.170	Gray	Index Dot	366-0385-00		Black		200-0844-00	377-0208-00
1	366-1007-01	2.940		CR	.252	1.170	Gray		366-0385-00		Black		200-0844-00	377-0208-00
1	366-1007-02	4.837		CR	.252	1.170	Gray		366-1007-01			None ^f	377-0208-00	
1	366-1007-04	.010		CR	.252	1.170	Gray		366-1007-02			PULL for 10 dB/STEP	None ^f	377-0208-00
1	366-1007-05	4.167		CR	.252	1.170	Gray		366-0385-01		Gray		200-0844-01	377-0208-00
1	366-2019-00	1.483		CS	.252	1.170	Silver Gray	Index	366-0385-02		Black		200-0844-00	377-0537-00
1	366-0138-00	1.298		CR	.268	.875	Ch Gray	Index Dot	366-0174-00					377-0015-00
2	366-2012-00	1.453		CR	.087	.700	Gray	Index	255-0302-00			Molded	344-0287-00	
2	366-1207-00	.836		CR	.127	.500	Gray	Index Bar	366-1206-00		Black		200-0839-00	377-0199-00
2	366-0220-00	.839		CR	.252	.700	Gray		366-0219-00					377-0032-00

^a For Knob illustrations, see tab marked KNOBS in the back of this catalog.

^b The nominal price (at time of printing) is listed in the cost column. For ND (New Design Recommendations) and Status Codes, see tab marked CODES in the back of this catalog.

^c For Shell Details, see pages 7-14 and 7-15.

^d For Cap Details, see pages 7-12 and 7-13.

^e For Insert Details, see Page 7-16 and 7-17.

^f With hole for shaft or cap on top.

KNOBS AND PUSHBUTTONS

KNOBS^a (cont)

Fig	Part Number	Codes ^b			ID	Shell ^c /Subpart				Cap ^d			Insert ^e Part Number
		Cost	ND	ST		OD	Color	Remarks	Part No. or Assy Matl	Color	Remarks	Part Number	
2	366-1027-00	.904		CS	.252	.825	Gray	Index Bar	255-0113-00	Black		200-0847-00 ^f	377-0205-00
2	366-1026-00	.940		CR	.252	.825	Gray	Index Bar	255-0113-00	Black		200-0841-02	377-0205-00
2	366-1244-00			OB	.267	.825	Gray	Index Bar	255-0113-00	Black		200-1134-00 ^f	377-0317-00
3	366-2011-00	1.389		CR	.126	.796	Gray	Index Bar	366-0387-00	Black		200-0840-00	377-0530-00
3	366-1209-00	2.126	U	CR	.127	.500	Gray	Index Bar	366-1208-00	Black		200-0839-00	377-0199-00
3	366-1054-00	1.503		CR	.127	.796	Gray	Index Bar	255-0113-00	Black		Molded	377-0200-02
3	366-1488-01	1.149		CR	.128	.500	Gray	Index Bar	366-1488-00			Molded	None
3	366-1299-00	1.002	U	CR	.192	.796	Gray	Index Bar	255-0113-00			None ^f	377-0333-00
3	366-1258-00	1.940	U	CR	.252	.796	Gray	Index Dot	255-0113-00			None ^f	377-0246-00
3	366-1028-00	1.462	U	CR	.252	.796	Gray	Index Bar	255-0113-00	Black		Molded	377-0202-01
3	366-1029-00	1.376		CR	.252	.796	Gray	Index Bar	255-0113-00	Black		Molded ^f	377-0202-01
3	366-1057-00	1.600	U	CR	.252	.796	Gray	Index Dot	255-0113-00			None ^f	377-0246-00
3	366-1057-01	.899		CS	.252	.796	Silver Gray	Index Bar	255-0376-00			None ^f	377-0246-00
3	366-1057-02	.873		CS	.252	.796	Ch Gray	Index Bar	255-0081-00			None ^f	377-0246-00
3	366-1165-00	1.185	U	CR	.252	.796	Gray	Index Bar	255-0113-00			None ^f	377-0264-01
3	366-1165-01	.629		CS	.252	.796	Gray	Index Bar	366-0387-01			None ^f	377-0264-00
4	366-2038-00	.735		CS	.100	.706	Dove Gray	ABS	ABS				377-0553-00
4	366-2156-00	1.538		CR	.189	.706	Dove Gray	Index	366-1169-02	Black		200-0846-00	377-0201-00
4	366-1227-00	.933		CR	.252	.446	Dove Gray	ABS	ABS				Molded In
4	366-1170-00			NP	.252	.706	Gray	Index	255-0113-00	Black		Molded	377-0202-01
4	366-1170-01	1.878		CR	.252	.706	Gray	Index Bar	255-0113-00	Black		Molded ^f	377-0202-01
4	366-1170-03	1.760		CR	.252	.706	Gray	Index	255-0302-00	Black		Molded ^f	377-0202-01
4	366-1190-00	1.948	U	CR	.252	.706	Gray	Index Bar	255-0113-00	Black		Molded	377-0202-01
4	366-1190-01			OB	.252	.706	Gray	Index Bar	366-1169-00	Black		Molded	377-0202-01
4	366-1190-02	1.900		CR	.252	.706	Gray	Index	366-1190-01	Gray		Molded	377-0202-01
4	366-1408-00	1.632		CR	.252	.706	Gray	Index Bar	366-1170-00	Black		Molded ^f	
4	366-0322-00	.912		CR	.252	.879	Gray	Index Bar	366-0321-00			None ^f	377-0014-00
4	366-0322-01	2.430		CR	.252	.879	Gray	Index Bar	366-0322-00				377-0138-00
4	366-0500-00	1.193	U	CR	.252	.925	Gray	Index Bar	255-0113-00	Black		200-0841-02 ^f	377-0205-00
4	366-1001-00	1.709		CR	.252	.925	Gray	Index Bar	366-0388-00	Black		200-0847-00 ^f	377-0205-00
4	366-1030-00	2.295		CS	.252	.925	Gray	Index Bar	366-0388-00	Black		200-0841-02	377-0203-00
4	366-1037-00	2.037		CR	.252	.925	Gray	Index Bar	255-0113-00	Black		200-0863-00 ^f	377-0211-00
4	366-1088-00			OB	.252	.925	Ch Gray	Index Bar	255-0081-00	Black		200-0841-02	377-0205-00
4	366-1123-00	1.784	U	CR	.252	.925	Gray	Index Bar	366-1123-01			None ^f	377-0205-00
4	366-1123-01			DL	.252	.925	Gray	Index Bar	366-0388-00			None ^f	377-0205-00
4	366-1202-00	2.290		CS	.252	.925	Gray	Index Bar	255-0113-00			None ^f	377-0288-00
4	366-1202-01	2.366		CR	.252	.925	Gray	Index Bar	255-0302-00				377-0288-00
4	366-1279-00	.855		CS	.252	.925	Gray	Index Bar	366-0388-00	Gray		200-1178-00	377-0205-00
4	366-1103-00	2.058	U	CR	.252	1.041	Gray	Index Bar	366-1102-00	Black		200-0933-00 ^f	377-0235-00
4	366-1124-00	2.493		CS	.252	1.041	Gray	Index Bar	366-1102-00	Black		200-0841-02	377-0236-00
4	366-0406-00	2.714		CS	.252	1.041	Gray	Index Bar	255-0113-00			None ^f	None
4	366-1002-00			OB	.252	1.151	Gray	Index Bar	366-0389-00	Black		200-0848-00 ^f	377-0207-00
4	366-1089-00			OB	.252	1.151	Ch Gray	Index Bar	366-0389-01	Black		200-0843-00	377-0207-00
4	366-1008-00	2.481		CS	.252	1.290	Gray	Index Bar	366-0390-00	Black		200-0849-00 ^f	377-0208-00
4	366-1009-00	1.790	U	CR	.252	1.290	Gray	Index Bar	366-0390-00	Black		200-0844-00	377-0208-00
4	366-1226-00			OB	.252	1.360	Gray	Index Bar	255-0113-00			None ^f	377-0300-00
4	366-1248-00			OB	.252	1.360	Gray	Index Bar	366-1226-00		PULL to UNLK, DLYD SWEEP	334-1598-00 ^f	None
4	366-0555-00	1.180		CR	.446		Dove Gray	ABS	ABS			Molded	
5	366-1432-00	.997		CS	Slot	.312	Gray	Index Dot	255-0113-00			Molded	None
6	366-1036-01	1.328		CR	Slot	.307	Gray	Index Dot	255-0227-00			Molded	None

^a For Knob illustrations, see tab marked KNOBS in the back of this catalog.

^b The nominal price (at time of printing) is listed in the cost column. For ND (New Design Recommendations) and Status Codes, see tab marked CODES in the back of this catalog.

^c For Shell Details, see pages 7-14 and 7-15.

^d For Cap Details, see pages 7-12 and 7-13.

^e For Insert Details, see Page 7-16 and 7-17.

^f With hole for shaft or cap on top.

KNOBS^a (cont)

Fig	Part Number	Codes ^b				Shell ^c /Subpart					Cap ^d			Insert ^e	
		Cost	ND	ST	ID	OD	Color	Remarks	Part No. or Assy Matl	Color	Remarks	Part Number	Part Number		
6	366-1564-00	.704	U	CR	Slot	.312	Gray	Index Dot	255-0227-00			Molded	None		
6	366-1564-02			DL	Slot	.312	Gray	Index Dot	255-0302-00			Molded	None		
6	366-1564-03			NP	Slot	.312	Gray	Index Dot, Arrow	255-0302-00 w/354-0328-00			Molded	None		
6	366-0392-00	.518		CR	Slot	.375	Gray	Index Dot	255-0227-00	Black		Molded	None		
6	366-0392-01	.286		CS	Slot	.375	Gray		255-0227-00	Black		Molded	None		
6	366-0392-02	2.171	U	CR	Slot	.375	Gray	Index Dot	255-0227-00	Black		Molded	None		
7	366-1035-00	.988		CR	Slot	.307	Gray	Index Dot	366-1036-00			Molded	None		
7	366-1035-01	.317		CR	Slot	.307	Gray		366-1036-00 w/354-0328-00			Molded	None		
7	366-1035-02	.353		CS	.125	.307	Gray		366-1036-02 w/354-0328-01			Molded	None		
8	366-1522-00	.209		CS	.156	1.000	Yellow	w/Cut Out	255-0231-00		Safety Controlled	None ^f	None		
9	366-0402-00	22.478		CR	.126	.825	Gray	w/Spring & Crank	366-0401-00			366-0399-00	377-0153-01		
9	366-0402-03	28.644		CR	.126	.825	Gray	w/Spring & Crank	366-0401-01			366-0399-00	377-0153-01		
9	366-0487-00			OB	.126	.825	Ch Gray	w/Spring & Crank	366-0486-00			366-0485-00	377-0153-01		
10	366-1405-00	.975	U	CR	.083	.450	Red	w/Yellow Ring	366-1405-05		CAL w/Arrow	Molded	377-0351-00		
10	366-1405-04	1.521		CR	.083	.450	Dark Gray		366-1401-02	Red	CAL w/Arrow	200-0839-01	377-0351-00		
10	366-1405-05			DL	.083	.450	Red		255-0219-00			Molded	377-0351-00		
10	366-1405-08			DL	.083	.450	Red		366-1405-11 w/354-0315-00		CAL w/Arrow, PULL	Molded	377-0351-00		
10	366-1405-14	.300		CR	.083	.450	Blue		255-0644-00 w/354-0213-00	Gray	CAL w/Arrow,		377-0568-00		
10	366-0583-00	1.110	U	CR	.127	.450	Yellow & Gray		255-0220-00 & 255-0302-00		X10 CAL w/ Arrow, PULL		377-0569-00		
10	366-1405-06			NP	.127	.450	Red		366-1405-10 w/354-0315-00		CAL w/Arrow	Molded	377-0199-00		
10	366-1405-07			DL	.127	.450	Red		255-0219-00			Molded	377-0199-00		
10	366-1405-09			DL	.127	.450	Red		366-1405-10 w/354-0315-00		CAL w/Arrow, PULL	Molded	377-0199-00		
10	366-1405-10			DL	.127	.450	Red		255-0219-00			Molded	377-0199-00		
10	366-1405-11			DL	.127	.450	Red		255-0219-00			Molded	377-0351-00		
10	366-1405-13	.622		CS	.127	.450	Yel & Red		255-2054-00		CAL w/Arrow		377-0569-00		
10	366-1082-00	3.290	U	CR	.127	.610	Gray	Index	366-1081-00	Black		200-0926-00	377-0234-00		
10	366-1038-00	2.392		CS	.128	.500	Gray	Yellow Ring w/Index Index	366-0452-00	Black		200-0862-00	377-0212-00		
11	366-0431-01	2.956		OT	.127	.970	Gray		255-0027-00			None ^f	377-0058-00		
11	366-1734-00	1.875	A	CR	.127	.970	Ch Gray		255-0160-00			None ^f	377-0515-00		
11	366-1814-00	2.648		CS	.127	1.050	Al		251-0152-00			None ^f	None		
11	336-1531-00	7.422		CS	.250	1.452	Ch Gray		366-1335-00			None ^f	377-0092-00		
11	366-2159-00	3.810		CR	.252	.706	Ivory Gray		366-2158-00			None ^f	377-0559-00		
11	366-1150-00	1.439		CS	.252	1.452	Ch Gray		366-1149-00			None ^f	377-0252-00		
11	366-1150-01	16.842		CR	.252	1.452	Silver Gray		366-1149-02	Black	2-1. S. Ft.	200-1807-02 ^f	377-0252-00		
11	366-1150-02	17.428		CR	.252	1.452	Silver Gray		366-1149-02	Black	0.5 M -0.6	200-1807-01 ^f	377-0252-00		
11	366-1284-00	12.737	U	CR	.252	1.456	Ch Gray		366-1150-00			331-0277-00 ^f	377-0252-00		
11	366-1779-00	1.218		CR	.257	1.485	Gray		255-0302-00			None ^f	377-0492-00		
11	366-1779-01	2.213		CR	.257	1.485	Gray		366-1779-00			None ^f	377-0492-00		
11	366-1357-00	.379		CR	.760	1.452	Gray		255-0227-00			None ^f	None		
12	366-1610-00			DL	.080	.500	Gray		366-1104-00	Black		200-0934-00	377-0444-00		
12	366-1610-01	6.269		CR	.080	.500	Gray		366-1104-00	Black	VAR	200-0934-00	377-0444-00		
12	366-1610-02	1.561		CR	.080	.500	Gray		366-1104-00	Black	Dot Marker	200-0934-00	377-0444-00		
12	366-1514-00	2.505		CS	.081	.392	Gray	Index Dot	366-0380-00	Black		200-0839-00	377-0400-00		

^a For Knob illustrations, see tab marked KNOBS in the back of this catalog.

^b The nominal price (at time of printing) is listed in the cost column. For ND (New Design Recommendations) and Status Codes, see tab marked CODES in the back of this catalog.

^c For Shell Details, see pages 7-14 and 7-15.

^d For Cap Details, see pages 7-12 and 7-13.

^e For Insert Details, see Page 7-16 and 7-17.

^f With hole for shaft or cap on top.

KNOBS AND PUSHBUTTONS

KNOBS^a (cont)

Fig	Part Number	Codes ^b			ID	Shell ^c /Subpart				Cap ^d			Insert ^e Part Number
		Cost	ND	ST		OD	Color	Remarks	Part No. or Assy Matl	Color	Remarks	Part Number	
12	366-1514-01	2.694		CR	.081	.392	Gray	Index Dot	366-0380-00	Gray		200-0839-08	377-0400-00
12	366-1514-03	2.508		CR	.081	.392	Gray	Index Dot	366-1147-00	Gray		200-0839-08	377-0384-00
12	366-1667-00	.447		CS	.083	.391	Red	Index Dot	366-1696-00		x1 x 10	Molded	377-0351-00
12	366-1327-00	.742	U	CR	.083	.392	Gray	Index Dot	366-1702-00	Gray		Molded	377-0351-00
12	366-1346-00	1.053	U	CR	.083	.392	Red		366-1696-00	Red	A CAL w/Arrow	Molded	377-0351-00
12	366-1346-02	.956		CR	.083	.392	Red		366-1696-00	Red	VAR	Molded	377-0351-00
12	366-1373-01	.360	U	CR	.083	.392	Red		366-1696-00	Red	CAL w/Arrow	Molded	377-0351-00
12	366-1380-00	.332		CS	.083	.392	Red	Index Dot	366-1696-00	Red		Molded	377-0351-00
12	366-1463-00	1.138	U	OT	.083	.392	Red		366-1696-00	Red	CAL w/Arrow	Molded	377-0351-00
12	366-1696-00			DL	.083	.392	Red	Index Slot	255-0219-00			Molded	377-0351-00
12	366-1696-01	.875		CR	.083	.588	Gray	Index Slot	255-0302-00			Molded	377-0351-00
12	366-1702-00			DL	.083	.392	Gray	Index Bar	255-0302-00			Molded	377-0351-00
12	366-1711-00			DL	.083	.392	Gray	Index Bar	255-0113-00			Molded	377-0351-00
12	366-1711-01	.330		CS	.083	.392	Gray	Index Bar	366-1711-00	Black		Molded	377-0351-00
12	366-1711-02	1.410		CR	.083	.392	Gray		366-1711-00		VAR		377-0351-00
12	366-2145-00	.376		CS	.083	.392	Dove Gray	Index Slot	255-0644-06				377-0351-00
12	366-2145-01	.386		CS	.083	.392	Dove Gray	Index Slot	366-2145-00		VAR		
12	366-1064-00	1.349	U	CR	.096	.392	Gray		366-1703-00	Black		Molded	377-0198-00
12	366-1698-00			OB	.096	.392	Ch Gray	Index Bar	255-0081-00			Molded	377-0198-00
12	366-1703-00			DL	.096	.392	Gray	Index Bar	255-0113-00			Molded	377-0198-00
12	366-0649-00	.793		CR	.127	.392	Gray		255-0302-00				377-0561-00
12	366-1023-00	.662	U	CR	.127	.392	Gray		w/213-0246-00 366-1704-00	Black		Molded	377-0561-00
12	366-1023-01	.591		CR	.127	.392	Gray	Index Dot	366-1704-00	Black		Molded	377-0561-00
12	366-1023-02	1.012	U	CR	.127	.392	Gray	Index Dot	366-1704-00	Black	VAR	Molded	377-0561-00
12	366-1023-03	.368		CS	.127	.392	Gray	Index Dot	366-1704-00	Black	PULL	Molded	377-0561-00
12	366-1023-05	.339		CS	.127	.392	Gray		366-1697-00			None ^f	377-0561-00
12	366-1023-07	.605		CR	.127	.392	Gray	Index	366-1701-00	Black		Molded	377-0351-00
12	366-1023-08	.367		CR	.127	.392	Gray	Index	366-1701-00	Black	PULL	Molded	377-0561-00
12	366-1023-09	.367		CS	.127	.392	Gray	Index	366-1023-07	Black	VAR	Molded	377-0561-00
12	366-1023-11	.251		CS	.127	.392	Slate Gray					None	377-0561-00
12	366-1023-13			CR	.127	.392	Gray						
12	366-1023-12	1.050	U	CR	.127	.392	Dove Gray		255-0644-06		CAL w/Arrow	Molded	377-0199-00
12	366-1031-00	1.230		CR	.127	.392	Red	Index Dot	366-1031-10	Red		Molded	377-0561-00
12	366-1031-02	.680		CR	.127	.392	Red	Index Dot	366-1031-10	Red	VAR	Molded	377-0351-00
12	366-1031-03	.578	U	CR	.127	.392	Red		366-1031-10	Red	CAL w/Arrow	Molded	377-0351-00
12	366-1031-04			OB	.127	.392	Red		366-1031-10	Red		Molded	377-0351-00
12	366-1031-05	.341		CS	.127	.392	Red		366-1031-10	Red	HOLD w/Arrow	Molded	377-0561-00
12	366-1031-06	.916		CR	.127	.392	Gray	Index Dot	366-1704-00	Gray	VAR	Molded	377-0561-00
12	366-1031-08	.945		CR	.127	.392	Gray	Index Bar	366-1704-00		CAL	Molded	377-0561-00
12	366-1031-09	.483		CS	.127	.392	Gray		366-1704-00		HOLD	Molded	377-0561-00
12	366-1031-10			DL	.127	.392	Red	Index Slot	255-0219-00			Molded	377-0561-00
12	366-1099-00			OB	.127	.392	Ch Gray	Index Dot	366-1699-00	Black		Molded	377-0199-00
12	366-1146-00	.501		CR	.127	.392	Gray	Index Dot	366-1701-00	Gray		Molded	377-0561-00
12	366-1146-01	.962	U	CR	.127	.392	Gray	Index Dot	366-1701-00	Gray		Molded	377-0561-00
12	366-1166-00	.950		CR	.127	.392	Red		255-0219-00	Black		255-0207-00	377-0266-00
12	366-1184-00	.863		CR	.127	.392	Red		255-0219-00	Black		255-0294-00	377-0277-00
12	366-1464-00	1.008	U	OT	.127	.392	Red		366-1031-10	Red	CAL w/Arrow	Molded	377-0561-00
12	366-1464-01	1.031		CR	.127	.392	Gray		366-1704-00	Red	CAL w/Arrow (Left)	Molded	377-0561-00
12	366-1464-02			NP	.127	.392	Gray		366-1704-00	Red	CAL w/Arrow (Right)	Molded	377-0561-00
12	366-1510-00	.500		CR	.127	.392	Dove Gray	Index Slot	366-1704-03		VAR		None
12	366-1697-00			DL	.127	.392	Gray	Index Bar	255-0113-00			None ^f	377-0561-00
12	366-1699-00			OB	.127	.392	Ch Gray	Index Bar	255-0081-00			Molded	377-0199-00

^a For Knob illustrations, see tab marked KNOBS in the back of this catalog.^b The nominal price (at time of printing) is listed in the cost column. For ND (New Design Recommendations) and Status Codes, see tab marked CODES in the back of this catalog.^c For Shell Details, see pages 7-14 and 7-15.^d For Cap Details, see pages 7-12 and 7-13.^e For Insert Details, see Page 7-16 and 7-17.^f With hole for shaft or cap on top.

KNOBS^a (cont)

Fig	Part Number	Codes ^b			Shell ^c /Subpart					Cap ^d			Insert ^e Part Number	
		Cost	ND	ST	ID	OD	Color	Remarks	Part No. or Assy Matl	Color	Remarks	Part Number		
12	366-1701-00			U	DL	.127	.392	Gray	Index Bar	255-0302-00			Molded	377-0561-00
12	366-1701-01	.513			CR	.127	.392	Gray		366-1701-00			Molded	377-0561-00
12	366-1704-00	.165		A	CR	.127	.392	Gray	Index Bar	255-0113-00			Molded	377-0351-00
12	366-1704-01	2.261			CR	.127	.392	Gray		366-1704-00			Molded	377-0351-00
										w/354-0579-00				
12	366-1704-02				DL	.127	.392	Slt Gray		255-0644-03			Molded	377-0199-00
12	366-1704-03				DL	.127	.392	Dove Gray		255-0644-06			Molded	377-0199-00
12	366-1713-00	1.083			CS	.127	.392	Gray	Index Slot	366-0380-00			Molded ^f	377-0467-00
12	366-1747-00	.438			CS	.127	.392	Gray	Index Slot	366-1147-00	Gray		Molded ^f	377-0217-00
12	366-1825-00				OB	.127	.392	Silver Gray		255-0376-00			Molded	377-0561-00
12	366-1825-01				OB	.127	.392	Silver Gray		366-1825-00			Molded	377-0561-00
12	366-1845-00				DL	.127	.392	Red		255-0291-00			Molded	377-0561-00
12	366-1846-00				DL	.127	.392	Black		255-0009-00			Molded	277-0561-00
12	366-1877-00	.787			CR	.127	.392	Gray		255-0302-00			Molded	377-0561-00
12	366-2072-00	.674			CR	.127	.392	Dove Gray		366-1704-03				
12	366-1107-00				OB	.127	.492	Gray	Index Dot	366-0202-00			Molded	377-0016-00
12	366-1247-00				OB	.127	.500	Red		366-1242-00	Red	VAR	Molded	200-1135-00
12	366-1864-01	.682			CS	.127	.500	Smoke Tan		366-1863-01			Molded	200-2598-01
12	366-1280-00	1.351			CR	.127	.588	Gray	Index Line	255-0113-00			None ^f	377-0200-01
12	366-1326-00	3.085		U	CR	.127	.588	Gray	Index Slot	255-0113-00			None ^f	377-0350-00
										w/213-0153-00				
12	366-1326-01	1.010			CR	.127	.588	Gray	Index Slot	255-0302-00			None ^f	377-0350-00
										w/213-0153-00				
12	366-1517-00	2.149			CS	.127	.588	Gray	Index Line	255-0113-00			None ^f	377-0401-01
12	366-1517-01	1.898			CR	.127	.588	Gray	Index Line	255-0302-00			None ^f	377-0401-01
12	366-0203-00	2.760			CR	.127	.492	Gray		366-0202-00				377-0086-00
12	366-0189-00	.792			CR	.127	.500	Red		366-0118-00				377-0016-00
12	366-1834-00				DL	.127	.700	Gray		366-0113-00	Black		Molded	377-0513-00
12	366-0632-00	.070			CR	.134	.360	Smoke Tan		255-0644-01				
12	366-2041-01			A	NP	.172	.392	Dove Gray		ABS				
12	366-2041-03	.135			CR	.172	.392	Dove Gray		ABS				
12	366-2049-00				NP	.172	.392	Dove Gray	w/Bar	ABS				
12	366-2049-01	.158			CR	.172	.392	Gray	w/Bar	ABS				
12	366-2075-00	.122			CR	.172	.392	Gray		255-0302-00				
12	366-0544-00	.121			CR	.172	.412	Gray	w/Bar	255-0302-00				
12	366-0319-00	.792			CR	.189	.500	Red		366-0118-00				377-0017-00
12	366-1246-00	1.183			CS	.190	.500	Gray		366-1243-00	Gray			200-1133-00
12	366-2068-00	.712			CR	.192	.546	Gray	Index Slot	255-0302-00				377-0315-00
12	366-1870-00				NP	.192	.720	Gray		255-0113-00			None ^f	377-0389-01
12	366-2150-00	.911			CS	.237	.500	Smoke Tan		366-1863-01	Smoke Tan			200-2598-01
12	366-1835-00				DL	.250	.700	Gray		255-0113-00			None ^f	377-0514-00
12	366-1821-00	.565			CS	.251	.588	Gray		366-1131-00			None ^f	377-0508-00
12	366-0236-00	.840			CR	.252	.500	Ch Gray		366-0152-00				377-0018-00
12	366-2081-00	1.687			CR	.252	.588	Gray	Index Slot	366-1131-02				
12	366-2082-00	1.861			CR	.252	.588	Gray	Index Slot	366-1131-03				
12	366-1251-00				OB	.252	.670	Gray	Index Dot	366-0263-00			None ^f	377-0211-00
12	366-1737-00	.633			CR	.252	.700	Gray	Index Dot	366-1093-01			None ^f	377-0205-00
12	366-1836-00				DL	.252	.700	Gray	Index Dot	255-0113-00			Molded	377-0514-00
12	366-2066-00	2.966			CR	.252	.700	Dove Gray		366-2053-00				
12	366-1651-00	2.010			CR	.252	.705	Gray		366-1344-01			None ^f	377-0211-00
12	366-1867-01				DL	.252	.706	Gray	Index Slot	255-0302-00				377-0236-01
12	366-1867-00				DL	.252	.720	Gray		255-0113-00	Black		Molded	377-0236-01
12	366-1868-00				DL	.252	.720	Gray		255-0113-00			None	377-0235-01
12	366-1869-00				DL	.252	.720	Gray		255-0113-00			None	377-0571-00
12	366-1567-00	.743			CS	.252	.720	Gray	Index Line	366-1869-00			None	377-0571-00

^a For Knob Illustrations, see tab marked KNOBS in the back of this catalog.

^b The nominal price (at time of printing) is listed in the cost column. For ND (New Design Recommendations) and Status Codes, see tab marked CODES in the back of this catalog.

^c For Shell Details, see pages 7-14 and 7-15.

^d For Cap Details, see pages 7-12 and 7-13.

^e For Insert Details, see Page 7-16 and 7-17.

^f With hole for shaft or cap on top.

KNOBS AND PUSHBUTTONS

KNOBS^a (cont)

Fig	Part Number	Codes ^b			Shell ^c /Subpart					Cap ^d			Insert ^e	
		Cost	ND	ST	ID	OD	Color	Remarks	Part No. or Assy Matl	Color	Remarks	Part Number	Part Number	
12	366-1852-00				DL	.252	.750	Gray				f	377-0235-01	
12	366-1871-00				DL	.252	.720	Gray				None	377-0571-00	
12	366-1833-00	.162			CR	.310	.392	Gray				Molded	None	
12	366-1833-01	.100			CR	.310	.392	Dove Gray					None	
13	366-1319-02	.790			CR	.081	.300	Al				Molded	None	
13	366-1319-03	1.280			CR	.081	.300	Al	Index Dot			None	None	
13	366-1602-01	1.238			CR	.081	.300	Al, Red	Index Dot			Molded	None	
13	366-1391-00	1.182	U		CR	.083	.300	Gray	Index Bar	255-0302-00	Black	Molded	377-0344-00	
13	366-1391-01	1.322			CR	.083	.300	Al		251-1472-00		Molded	None	
13	366-1391-02	1.156			CR	.083	.300	Al		w/252-0250-00		Molded	None	
13	366-1391-03	.586			CR	.081	.300	Gray	w/Raised Bar	251-1472-00			None	
13	366-1391-04	.282			CR	.085	.300	Gray		w/252-0249-00			None	
13	366-1173-04	.832			CR	.096	.300	Al		PC		Molded	None	
13	366-1173-05	.465			CR	.096	.300	Al, Black Anodize		251-1472-00		Molded	None	
13	366-2015-00	.947			CR	.127	.813	Gray		255-0302-00		Molded	377-0532-00	
14	366-1168-00	1.676	U		CR	.084	.392	Red		255-0219-00	Black	Molded	377-0270-00	
14	366-2022-00	2.572			CR	.096	.300	Al		251-1472-00		Molded	None	
14	366-0429-00	.314			OT	.125	.390	Gray	Slotted Head	w/252-0249-00		Molded	None	
14	366-1322-00				DL	.127	.384	Gray		255-0113-00		Molded	None	
14	366-1322-01	1.056			CR	.127	.384	Gray		366-1322-00	POS	Molded	343-0398-00	
14	366-1322-02	.790			CR	.127	.384	Gray	Index Dot	366-1322-00	VAR	Molded	343-0398-00	
14	366-1322-03				OB	.127	.384	Gray		366-1322-00	INT	Molded	343-0398-00	
14	366-1322-04	1.230			CR	.127	.384	Gray	Index Dot	366-1322-00	TRIG	Molded	343-0398-00	
14	366-1322-05	1.021			CR	.127	.384	Gray	Index Dot	366-1322-00	POS	Molded	343-0398-00	
14	366-1322-06	1.056			CR	.127	.384	Gray	Index Dot	366-1322-00	INT	Molded	343-0398-00	
14	366-1466-00	.081			CS	.127	.384	Silver Gray		255-0376-00		Molded	None	
14	366-1466-01	1.114			CR	.127	.384	Silver Gray	Index Dot	366-1466-00	VAR	Molded	383-0398-00	
14	366-1466-02	1.088			CR	.127	.384	Silver Gray	Index Dot	366-1466-00	POS	Molded	343-0398-00	
14	366-1467-00				DL	.127	.384	Ch Gray		255-0081-00		Molded	None	
14	366-1467-01	1.032			CR	.127	.384	Ch Gray	Index Dot	366-1467-00	VAR	Molded	343-0398-00	
14	366-1467-02	1.030			CR	.127	.384	Ch Gray		366-1467-00	INT	Molded	None	
14	366-1467-03	1.066			CR	.127	.384	Ch Gray	Index Dot	366-1467-00	TRIG	Molded	343-0398-00	
14	366-1467-04	1.030			CR	.127	.384	Ch Gray		366-1467-00				
14	366-1875-00	.443			CS	.127	.384	Gray		366-1322-00		Molded	None	
14	366-1308-00	1.010	U		CR	.127	.392	Red		w/343-0398-00				
14	366-1264-00	.687			CR	.127	.600	Silver Gray		255-0219-00	Black	Molded	377-0266-00	
14	366-2021-00	2.968			CR	.128	.300	Al	Index Dot	366-1267-00			377-0200-00	
										251-1472-00		None ^f	None	
										w/252-0249-00				

^a For Knob illustrations, see tab marked KNOBS in the back of this catalog.

^b The nominal price (at time of printing) is listed in the cost column. For ND (New Design Recommendations) and Status Codes, see tab marked CODES in the back of this catalog.

^c For Shell Details, see pages 7-14 and 7-15.

^d For Cap Details, see pages 7-12 and 7-13.

^e For Insert Details, see Page 7-16 and 7-17.

^f With hole for shaft or cap on top.

KNOBS^a (cont)

Fig	Part Number	Codes ^b			Shell ^c /Subpart					Cap ^d			Insert ^e Part Number
		Cost	ND	ST	ID	OD	Color	Remarks	Part No. or Ass'y Matl	Color	Remarks	Part Number	
14	366-1596-00			DL	.172	.440	Gray		255-0113-00			Molded	None, Slot
14	366-1596-01	.690		CR	.172	.440	Gray		366-1596-00		POS	Molded	None, Slot
14	366-1596-02	.690		CR	.172	.440	Gray		366-1596-00		VAR	Molded	None, Slot
14	366-1596-03	.435		CR	.172	.440	Gray		366-1596-00		TRIG	Molded	None, Slot
14	366-1596-04	.810		CR	.172	.440	Gray		366-1596-00		INT	Molded	None, Slot
15	366-1033-00	2.539		CS	.128	.905	Gray	Index Dot	366-0492-00	Black		200-0842-00	377-0206-00
15	366-1795-00	17.934		CR	.470	.976	Silver Gray		366-1794-00		PULL to UNLOCK	200-2372-00	377-0488-00
16	366-0193-00			OB	.645	1.406	Ch Gray		255-0081-00		PULL to UNLOCK, DLYD SWEEP	None ^f	None
16	366-1201-00	1.853		CS	.127	.665	Gray	Orange Index Bar	255-0113-00	Black		200-1088-00	377-0289-00
16	366-1201-01	3.274		CR	.127	.665	Gray	Orange Index Bar	255-0302-00	Gray		200-1088-01	377-0289-00
17	366-1369-00	1.288		CS	.157	.531	Gray	Index Dot	366-1370-00			Molded	None
18	366-1780-00			NP	.127	1.225	Gray		255-0302-00			Molded	377-0491-00
18	366-1780-01	2.015		CR	.127	1.225	Gray		255-0302-00			Molded	377-0491-00
18	366-0633-00	.070		CR	.238	.566	Smoke Tan		255-0644-01				
18	366-2053-00			DL	.252	.700	Dove Gray	w/Index Key	255-0644-06				377-0514-00
18	366-1153-00	1.300		CR	.253	.912	Gray		366-1152-00	Black	PUSH	200-1026-00	377-0253-00
19	366-1278-00	1.410		CR	.080	.392	Gray	Index	255-0302-00			Molded	377-0324-00
19	366-0426-05	1.366		CS	.125	1.500	Gray	Index	255-0113-00			Molded	377-0404-00
19	366-1163-00	1.175	U	CR	.127	.392	Gray	Index	255-0302-00			Molded	377-0265-00
19	366-0373-00	3.345		OT	.127	.500	Red	Index	255-0219-00			Molded	377-0146-00
19	366-0379-00	1.213		CR	.127	.500	Gray	Index	255-0113-00			Molded	377-0146-00
19	366-0379-01	.594		CR	.127	.500	Gray	Index	255-0302-00			Molded	377-0146-00
19	366-0455-00			OB	.127	.500	Ch Gray	Index	255-0081-00			Molded	377-0146-00
19	366-0427-00			OB	.127	.706	Ch Gray	Index	255-0081-00			Molded	377-0146-00
19	366-0491-00			OB	.127	.706	Red	Index	255-0219-00			Molded	377-0146-00
19	366-0491-01	.960		CR	.127	.706	Gray	Index	255-0302-00			Molded	377-0146-00
19	366-0491-02	1.970		CR	.127	.706	Gray	Index	255-0113-00			Molded	377-0146-00
20	366-1177-00	.777		CR	.127	.400	Gray	Index Dot	366-1171-00		Slot in Top	Molded	377-0217-00
20	366-1182-00	.696		OT	.127	.400	Gray	Index Dot	366-1176-00			Molded	377-0217-00
21	366-1219-00	2.588		CS	.203	.976	Gray	Index Bar	255-0113-00	Black	DLYD SWEEP, PULL	200-1101-00 ^f	377-0293-03
21	366-1219-01	4.923		CR	.203	.976	Gray	Index Bar	255-0113-00	Black	DLYD SWEEP, PULL, LOCK KNOBS For A	200-1101-00 ^f	377-0293-03
21	366-1321-00	5.313	U	CR	.203	.976	Gray	Index Bar	255-0113-00	Black	PULL For INTENS, PUSH For DELAYED	200-1101-00 ^f	377-0293-05
21	366-1321-01	6.037	U	CR	.203	.976	Gray		255-0113-00	Black	PULL For INTENS, PUSH For DELAYED	200-1101-00 ^f	377-0293-05
21	366-1337-00			DL	.159	.812	Gray	Press-on	255-0113-00			Molded	None
21	366-2039-02	5.240		CS	.450	.855	Dove Gray		366-2016-00		B SWEEP		377-0538-00
22	366-1337-03	1.492		CR	.159	.812	Gray	Press-on	366-1337-00		Sec/Div	Molded	None
22	366-1337-04	1.209		CR	.159	.812	Gray	Press-on	366-1337-00		Volts/Div	Molded	None
22	366-1468-00			DL	.159	.812	Gray	Press-on	255-0113-00			Molded	None
22	366-1468-01	1.288		CR	.159	.812	Gray	Press-on	366-1468-00		Volts/Div	Molded	None
22	366-1469-00			DL	.159	.812	Silver Gray	Press-on	255-0376-00			Molded	None
22	366-1469-01	1.095		CR	.259	.812	Silver Gray	Press-on	366-1469-00		Volts/Div	Molded	None

^a For Knob illustrations, see tab marked KNOBS in the back of this catalog.

^b The nominal price (at time of printing) is listed in the cost column. For ND (New Design Recommendations) and Status Codes, see tab marked CODES in the back of this catalog.

^c For Shell Details, see Pages 7-14 and 7-15.

^d For Cap Details, see Pages 7-12 and 7-13.

^e For Insert Details, see Pages 7-16 and 7-17.

^f With hole for shaft or cap on top.

KNOBS AND PUSHBUTTONS

KNOBS^a (cont)

Fig	Part Number	Codes ^b			ID	Shell ^c /Subpart				Cap ^d			Insert ^e Part Number
		Cost	ND	ST		OD	Color	Remarks	Part No. or Assy Matl	Color	Remarks	Part Number	
22	366-1470-00			DL	.159	.812	Ch Gray	Press-on	255-0081-00			Molded	None
22	366-1470-01	1.076		CR	.159	.812	Ch Gray	Press-on	366-1470-00		Sec/Div	Molded	None
23	366-1389-00	.968		CR	.126	.250	Blk Andz		251-1091-00				None
23	366-1495-00			OB	.127	.500	Silver Gray	Index Bar	366-1494-00			Molded	377-0316-00
23	366-0365-00	30.111		CR	.138	.593	Red	Index Dot	366-0365-01		INVERT, PULL		
24	366-1368-00			NP	.128	.375	Al		251-1001-00				None
24	366-0488-00	1.590		CR	.251	.500	Al		251-0024-00				None
25	366-0215-01	.119		CR	.158	.210	Ch Gray		366-0214-00			Molded	214-0311-00
25	366-0215-02	.199	U	CR	.158	.210	Gray		366-0214-03			Molded	214-0311-00
25	366-0215-05	.309		CR	.158	.210	Gray		366-0214-05			Molded	214-0311-00
26	366-1542-00	2.600		CS	.252	.700	Gray		366-1093-00			366-1549-01 ^f	377-0205-03
27	366-1126-00	.817	U	CR	.187	.280	Gray	6-32 UNC-2B	255-0113-00			Molded	None
28	366-1519-02	1.415		CR	.081	.300	Al		251-1472-00		PULL MAN		None
28	366-1519-03	1.415		CR	.081	.300	Al		251-1472-00 w/252-0249-00				None
28	366-1619-01	.835		CR	.081	.300	Al		251-1472-00 w/252-0250-00				None
28	366-1519-04	2.785		CS	.083	.300	Al	Index	251-1472-00 w/252-0250-00				None
29	366-1661-00	2.598		CS	.190	.855	Gray		366-1658-00		DLYD SWEEP, PULL	200-1101-00 ^f	377-0452-00
29	366-0344-00	2.707		CR	.147	.510	SST		251-0542-00				
30	366-1672-00			OB					200-0777-00			None	355-0215-00
31	366-1815-01	.631		CS	.030	1.500	Gray		255-0652-00			Molded	344-0307-00
31	366-1815-02	.734		CR	.030	1.500	Dove Gray		255-0488-05				
31	366-1736-01	.782		CS	.122	1.500	Gray		255-0532-00		Safety Controlled	Molded	344-0307-00
32	366-1716-01	1.985		CS	.976	1.396	Gray		366-0386-01	Black	OUT SLOW, IN FAST	366-1595-01	377-0464-01
33	366-1769-00	.415		CS	.326 +.715	.450	TV Gray	Index	255-0565-01			Molded	None
34	366-1797-00			NP	.153	.345	Black		Polyamide			Molded	None
35	366-2035-00	4.700		CR	.252	.500	Cadmium	.040 Slot	251-0533-00				None
35	366-1816-00	1.877		CS	.252	.625	SST		251-0598-00				None
36	366-1857-00	1.201		CR	.083	.450	Red		255-0219-00		VAR	Molded	377-0523-00
37	366-2052-00	.427		CS	.083	.450	Yellow Red	w/Key	255-2220-00 & 255-0219-00				377-0568-00
37	366-2052-01	1.243		CR	.083	.450	Yellow & Red		255-2052-00		X 10, CAL w/ Arrow, PULL		377-0568-00

^a For Knob Illustrations, see tab marked KNOBS in the back of this catalog.

^b The nominal price (at time of printing) is listed in the cost column. For ND (New Design Recommendations) and Status Codes, see tab marked CODES in the back of this catalog.

^c For Shell Details, see Pages 7-14 and 7-15.

^d For Cap Details, see Pages 7-12 and 7-13.

^e For Insert Details, see Pages 7-16 and 7-17.

^f With hole for shaft or cap on top.

KNOBS^a (cont)

Fig	Part Number	Codes ^b			ID	Shell ^c /Subpart				Cap ^d			Insert ^e Part Number
		Cost	ND	ST		OD	Color	Remarks	Part No. or Assy Matl	Color	Remarks	Part Number	
37	366-2054-00			DL	.127	.450	Yellow Red		255-0220-00 & 255-0219-00 366-2054-00				377-0569-00
37	366-2054-01	1.154		OT	.127	.450	Yellow & Red				X 10, CAL w/ Arrow, PULL		
37	366-1840-04	.854		CR	.128	.720	Gray		255-0652-00	Black	DLYD SWEEP, PULL		377-0689-00
37	366-1881-00			NP	.202	.855	Gray	Index Stripe	366-1858-00	Black	DLYD SWEEP, PULL	200-1101-00 ^f	377-0522-00
37	366-1220-01	1.725		CR	.375	.650	Dove Gray		ABS				Molded-In
38	366-1826-00			NP	.275	1.200	Earth Brn		255-0644-02			None ^f	None
38	366-1826-01	.326		CR	.275	1.200	Earth Brn		255-0644-02			None ^f	None
38	366-1826-02	.525		CR	.275	1.200	Gray		255-0875-00			None ^f	None
39	366-1850-00	.793		CR	.253	1.200	Clear		255-0339-00		Nomen. Black	None ^f	377-0453-00
40	366-1773-00			DL	1.055	1.170	Gray	Index Stripe	255-0700-00			None ^f	None
40	366-1773-01	1.961		CR	1.055	1.170	Gray	Index Stripe	366-1773-00			None ^f	None
40	366-1772-00			DL	1.055	1.170	Gray	Index Stripe	255-0700-00			None ^f	None
40	366-1772-01	5.526		CR	1.055	1.170	Gray	Index Stripe	366-1772-00			None ^f	None
41	366-1859-00	1.210		CR	.089	.300	Gray		255-0644-03			Molded	None
42	366-2027-00	2.930		CR	.129	.375	Al, Green		w/214-3267-00 251-0023-00 w/252-0249-00 & 354-0408-00			None	None
42	366-1872-00	5.350		CS	.128	.375	Al, Black Dye		251-1001-00			None	None
42	366-1872-01	5.505		CS	.128	.375	Al, Black Dye		366-1872-00 w/354-0408-00			None	None
43	366-1786-00	.772		CR	.127	.375	Gray		255-0302-00			Molded	377-0495-00
43	366-1786-01	.915		CR	.127	.375	Gray		255-0302-00			Molded	377-0495-00
43	366-1782-02		U	CR	.242	1.225	Gray		255-0542-00 w/213-0917-00			Molded	377-0417-00
43	366-1782-00			NP	.257	1.225	Gray		255-0302-00			Molded	377-0494-00
43	366-1782-01	2.912		CR	.257	1.225	Gray		255-0302-00			Molded	377-0494-00
44	366-1781-00	1.045		CR	.127	.620	Gray		255-0302-00			Molded	377-0493-00
45	366-2097-00	.653		CR	.060	.600			366-0675-00 w/213-0246-00			Molded	377-0200-00
45	366-2098-00	1.350		CR	.060	.600		Index Dot	366-0675-00				377-0200-00
45	366-2104-00	.364		CR	.060	.600			366-0675-00 w/213-0153-00				377-0200-00
45	366-0575-00	.660		CR	.127	.392	Gray		366-1701-00 w/213-0246-00		CAL w/Detent		
46	366-0576-00	1.143		CR	.083	.450	Yellow		255-0220-00 w/213-0153-00	CAL	255-0302-00	377-0568-00	
47	366-0654-00	.760		CR	.125	.590	Gray						
48	366-0586-01	.325		CR	.360	.700	Silver Gray						
48	366-0601-00			CR	1.000	1.250	Silver Gray						
49	366-0599-00	.531		CR		6.050	Slate Gray						
49	366-0650-00	.561		CR	.128	.375	Clear		251-1001-00 w/213-0048-00				
50	366-1789-00	.977		CR		.300	Gray		255-0113-00 w/354-0408-00 & 384-1546-00				

^a For Knob Illustrations, see tab marked KNOBS in the back of this catalog.

^b The nominal price (at time of printing) is listed in the cost column. For ND (New Design Recommendations) and Status Codes, see tab marked CODES in the back of this catalog.

^c For Shell Details, see Pages 7-14 and 7-15.

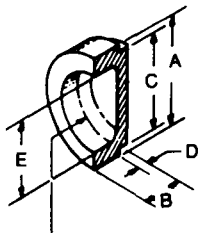
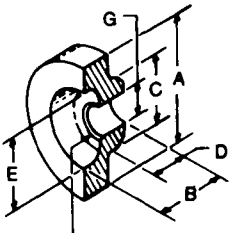
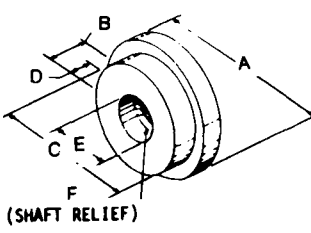
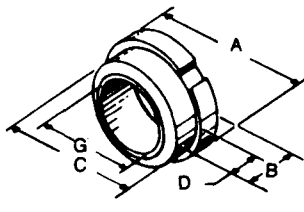
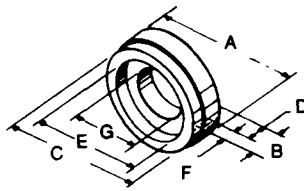
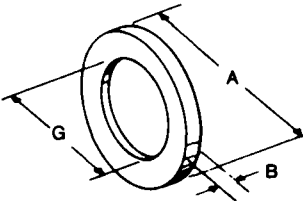
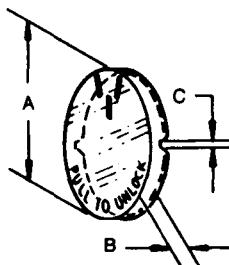
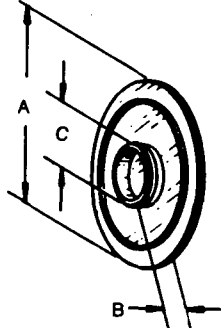
^d For Cap Details, see Pages 7-12 and 7-13.

^e For Insert Details, see Pages 7-16 and 7-17.

^f With hole for shaft or cap on top.

KNOBS (cont)

CAPS

CUTAWAY VIEW		CUTAWAY VIEW											
													
FIGURE 1		FIGURE 2		FIGURE 3		FIGURE 4							
													
FIGURE 5		FIGURE 6		FIGURE 7		FIGURE 8							
Fig	Outside		Top		Shaft Relief		Thru	Remarks	Molding Compound		Codes ^a		
	A Dia	B	C Dia	D	E Dia	F	G Dia		Color	Part Number	Part Number	Cost	ST
1	.280	.125	.233	.037	.187	.091			Gray	255-0113-00	200-0839-00		DL
1	.280	.125	.233	.037	.187	.091			Black	255-0009-00	200-0839-08		DL
1	.280	.125	.233	.031	.187	.091			Red	255-0219-00	200-0839-01		DL
1	.374	.120	.313	.031	.250	.080			Gray	255-0376-00	200-1133-00		DL
1	.375	.120	.328	.030	.290	.085			Black	255-0009-00	200-0934-00		DL
1	.375	.120	.328	.030	.290	.085			Smoke Tan	255-0644-01	200-2598-01		DL
1	.376	.120	.313	.031	.250	.080			Red	255-0219-00	200-1135-00		OB
1	.449	.120	.313	.031	.312	.080			Black	255-0009-00	200-0840-00		DL
1	.449	.120	.404	.031	.312	.080			Gray	255-0113-00	200-0840-04		DL
1	.553	.120	.498	.031	.252	.060			Black	255-0010-00	200-0841-02		DL
1	.553	.120	.498	.031	.252	.060			Gray	255-0227-00	200-0841-04		DL
1	.561	.120	.513	.031	.499	.082			Gray	255-0113-00	200-1088-01		DL
1	.561	.120	.513	.061	.310	.074			Black	255-0009-00	200-0841-03		DL
1	.561	.120	.531	.031	.495	.082			Black	255-0009-00	200-1088-00		DL
1	.668	.120	.600	.030	.600	.075			Black	255-0009-00	200-1026-00	.446	CR
1	.739	.120	.670	.031	.674	.070			Black	255-0009-00	200-0842-00		DL
1	.765	.120	.718	.031	.252	.060			Black	255-0009-00	200-0843-00	.111	CS
1	.765	.120	.718	.031	.252	.060			Gray	255-0113-00	200-0843-01		DL
1	.885	.120	.838	.031	.375	.060			Black	255-0009-00	200-0844-00		DL
1	.885	.120	.838	.031	.375	.060			Gray	255-0113-00	200-0844-01		DL
1	1.101	.120	1.054	.031	.500	.060			Black	255-0009-00	200-0845-00		DL
1	1.281	.080	1.213	.030					Black	255-0009-00	200-1807-00		DL
2	.450	.180	.245	.090	.312	.030	.135		Black	255-0009-00	200-0846-00		DL
2	.561	.180	.245	.090	.312	.030	.135		Black	255-0009-00	200-0847-00	.074	CR
2	.561	.180	.307	.093	.300	.030	.194		Black	255-0009-00	200-1134-00		OB
2	.765	.180	.375	.090	.375	.030	.135		Black	255-0009-00	200-0848-00	.074	CR
2	.885	.180	.500	.090	.375	.030	.135		Black	255-0009-00	200-0849-00		DL
3	.305	.150	.268	.050	.140	.095			Black	255-0009-00	200-0862-00		DL
3	.407	.150	.380	.050	.250	.110			Red	255-0219-00	200-0926-00		DL
3	.407	.150	.380	.050	.250	.110			Gray	255-0113-00	200-0926-02		DL

^a The nominal price (at time of printing) is listed in the cost column. For Status Codes, see tab marked CODES in the back of this catalog.

KNOBS (cont)

CAPS (cont)

Fig	Outside		Top		Shaft Relief		Thru	Remarks	Molding Compound		Part Number	Codes ^a	
	A Dia	B	C Dia	D	E Dia	F	G Dia		Color	Part Number		Cost	ST
3	1.030	.250	.885	.130	.685	.130			Black	255-0009-00	200-0920-00		DL
4	.554	.120	.513	.031			.413	No Slot	Black	255-0009-00	200-0933-00		DL
4	.561	.235	.513	.146			.413	.150 Slot	Gray	255-0113-00	200-1178-00		DL
4	1.281	.080						Nomenclature White	Black	200-1807-00	200-1807-01		DL
4	1.281	.080						Nomenclature White	Black	200-1807-00	200-1807-02		DL
5	.561	.120	.513	.031	.406	.031	.260		Black	255-0009-00	200-0863-00		DL
6	.712	.062					.422		Black	255-0009-00	200-1101-00		DL
7	.713	.100	.032					Pull to Unlock	Black	255-0009-00	200-2372-00		DL
8	.965	.160	.276	.080			.312		Black	255-0990-00	200-2295-00	.299	CR
8	1.280	.245	.260	.200			.162		Clear	255-0099-00	200-1011-00		DL
8	1.280	.245	.260	.200			.162		Clear	200-1011-00	200-1011-01	2.604	CR
8	1.280	.245	.260	.200			.162		Clear	200-1011-00	200-1011-03	1.320	CR

^a The nominal price (at time of printing) is listed in the cost column. For Status Codes, see tab marked CODES in the back of this catalog.

KNOBS (cont)

SHELL^a

Figure	Panel Diameter	Height	Insert		Remarks	Molding Compound		Part Number	Codes ^b	
			Diameter	Depth		Color	Part Number		Cost	ST
1	.375	.500	.223	.260		Gray	255-0227-00	366-1539-00		DL
1	.392	.400	.201	.350	Molded-in Cap	Gray	255-0113-00	366-1083-00	.135	CD
1	.392	.400	.201	.350	Molded-in Cap	Gray	255-0302-00	366-1083-01		DL
1	.500	.531	.261	.266		Gray	255-0302-00	366-1879-00		DL
1	.500	.531	.277	.500	Index Slot	Gray	255-0113-00	366-0381-00	.033	CS
1	.500	.531	.277	.500	Index Slot	Gray	255-0113-00	366-0381-03		DL
1	.500	.531	.277	.500	Index Slot	Silver Gray	255-0376-00	366-0381-04		DL
1	.500	.531	.277	.500	Index Slot	Gray	255-0302-00	366-0381-08		DL
1	.500	.531	.277	.500	Index Slot	Dove Gray	255-0644-06	366-0381-09		DL
1	.500	.531	.277	.500	Index Slot	Red	255-0219-00	366-0416-00		DL
1	.706	.600	.446	.569		Black	255-0009-00	366-0382-01		DL
1	.706	.600	.466	.569		Gray	255-0113-00	366-0382-00		DL
1	.706	.600	.466	.569		Gray	255-0302-00	366-0382-02		DL
1	.825	.670	.558	.639		Gray	255-0113-00	366-0383-00		DL
1	.875	.750	.375	.448		Ch Gray	255-0081-00	366-0174-00		DL
1	.875	.750	.507	.531		Gray	Urea, Plaskon	366-0171-00		DL
1	1.041	.700	.736	.640		Gray	255-0113-00	366-1234-00	.379	CS
1	1.041	.700	.755	.575	With Lens	Gray	255-0286-00	366-1269-01		DL
1	1.041	.700	.755	.575	With Lens	Gray	255-0286-00	366-1269-02	4.580	CR
1	1.041	.700	.761	.669	With Lens	Gray	255-0113-00	366-0384-00		DL
1	1.041	.700	.761	.669		Gray	255-0302-00	366-0384-02		DL
1	1.170	.700	.881	.669		Gray	255-0113-00	366-0385-00		DL
1	1.170	.700	.881	.669		Gray	255-0302-00	366-0385-01		DL
1	1.170	.700	.881	.669		Silver Gray	255-0376-00	366-0385-02	.329	CS
1	1.396	.700	1.097	.669		Gray	255-0113-00	366-0386-00		DL
2	.500	.438	.376	.368		Silver Gray	255-0376-00	366-1494-00		OB
2	.500	.531	.277	.500		Gray	255-0113-00	366-1206-00		DL
2	.700	.720	.435	.610		Gray	Urea, Plaskon	366-0219-00		DL
2	.855	.840	.571	.626		Gray	255-0113-00	366-1658-00		DL
3	.500	.531	.277	.500		Gray	255-0113-00	366-1208-00		DL
3	.500	.668	.191	.480		Gray	255-0113-00	366-1488-00		DL
3	.706	.650	.446	.619		Gray	255-0113-00	366-0387-00		DL
3	.706	.650	.446	.619		Gray	255-0302-00	366-0387-01		DL
4	.706	.600	.446	.569		Gray	255-0113-00	366-1169-00		DL
4	.706	.600	.446	.569		Gray	255-0302-00	366-1169-01		DL
4	.706	.600	.446	.569		Dove Gray	255-0565-06	366-1169-02		DL
4	.879	.750	.505	.531		Gray	255-0081-00	366-0321-00		DL
4	.925	.670	.588	.639		Gray	255-0113-00	366-0388-00		DL
4	.925	.670	.588	.629		Black	255-0009-00	366-0388-02		DL
4	1.041	.790	.558	.759		Gray	255-0113-00	366-1102-00		DL
4	1.151	.700	.761	.669		Gray	255-0113-00	366-0389-00		DL
4	1.151	.700	.761	.669		Ch Gray	255-0081-00	366-0389-01		OB
4	1.151	.700	.761	.669		Black	255-0009-00	366-0389-02		DL
4	1.290	.700	.881	.669		Gray	255-0113-00	366-0390-00		DL
7	.307	.562	.120	.500	No Spring	Ch Gray	255-0160-00	366-1036-00		DL
7	.307	.562	.120	.500	No Spring	Gray	255-0227-00	366-1036-02		DL
7	.307	.562	.120	.500	No Spring	Slate Gray		366-1036-03		DL
9	.386	.437	.113	.437	Crank Arm	Gray	255-0113-00	366-0399-00		DL
9	.386	.437	.113	.437	Crank Arm	Gray	255-0302-00	366-0399-01		DL
9	.386	.437	.113	.437	Crank Arm	Ch Gray	255-0081-00	366-0485-00		OB
9	.825	.670	.522	.460	Crank	Gray	255-0113-00	366-0401-00		DL
9	.825	.670	.522	.460	Crank	Gray	255-0302-00	366-0401-01		DL
9	.825	.670	.522	.460	Crank	Ch Gray	255-0081-00	366-0486-00		OB
10	.392	.466	.250	.425		Gray	255-0113-00	366-1401-02		DL
10	.500	.645	.273	.545		Gray	255-0113-00	366-0452-00		DL

^a For Knob Shell illustrations, see tab marked KNOBS, SHELL in the back of this catalog.

^b The nominal price (at time of printing) is listed in the cost column. For Status Codes, see tab marked CODES in the back of this catalog.

KNOBS (cont)

SHELL^a (cont)

Figure	Panel Diameter	Height	Insert		Remarks	Molding Compound		Part Number	Codes ^b	
			Diameter	Depth		Color	Part Number		Cost	ST
10	.610	.550	.383	.535		Gray	255-0113-00	366-1081-00		DL
10	1.190	.800	.886	.910		Gray	255-0113-00	366-1094-00		DL
11	1.452	.380	1.136	.290		Ch Gray	255-0292-00	366-1335-00		DL
11	1.452	.380	1.312	.290		Ch Gray	255-0292-00	366-1149-00		DL
11	1.452	.380	1.312	.290		Silver Gray	255-0298-00	366-1149-02		DL
12	.392	.466	.277	.435		Gray	255-0113-00	366-0380-00		DL
12	.392	.466	.277	.435		Black	255-0009-00	366-0380-01		CS
12	.392	.466	.277	.435		Red	255-0219-00	366-0453-00		CS
12	.392	.466	.277	.435		Ch Gray	255-0081-00	366-1097-00		OB
12	.392	.466	.277	.435		Gray	255-0302-00	366-1147-00		DL
12	.492	.425	.384	.354		Gray	255-0015-00	366-0202-00		DL
12	.492	.425	.385	.354		Gray	Urea, Plaskon	366-0209-00		DL
12	.500	.470	.370	.439		Gray	255-0302-00	366-1243-00		DL
12	.500	.470	.377	.424		Ch Gray	255-0081-00	366-1570-00		DL
12	.500	.470	.377	.424		Black	255-0009-00	366-1570-01		DL
12	.500	.470	.377	.439		Red	255-0219-00	366-1242-00		OB
12	.500	.470	.377	.439		Gray	255-0113-00	366-1242-01	.073	CS
12	.500	.562	.375	.469		Gray	255-0113-00	366-1104-00		DL
12	.500	.562	.375	.531		Smoke Tan	255-0644-01	366-1863-01		DL
12	.500	.625	.265	.512		Ch Gray	255-0081-00	366-0152-00		DL
12	.500	.625	.265	.512		Red	255-0219-00	366-0188-00		DL
12	.540	.510	.414	.340	With Slot at Panel	Gray	255-0302-00	366-1345-00		DL
12	.540	.510	.414	.340	With Slot at Panel	Gray	255-0113-00	366-1345-02		DL
12	.588	.600	.446	.320		Gray	255-0113-00	366-1131-00		DL
12	.588	.600	.446			Gray	255-0302-00	366-1131-03		DL
12	.588	.600	.446	.225		Gray	255-0302-00	366-1131-02		DL
12	.670	.437	.566	.375		Gray	255-0025-00	366-0263-00		OB
12	.700	.520	.558	.489		Gray	255-0113-00	366-1093-00		DL
12	.700	.520	.558	.489		Gray	255-0302-00	366-1093-01		DL
12	.705	.545	.507	.345		Black	255-0282-00	366-0053-00		OB
12	.705	.550	.560	.350	Insert from Top	Gray	255-0113-00	366-1344-00		DL
12	.705	.550	.560	.350	Insert from Top	Gray	255-0302-00	366-1344-01		DL
12	.705	.550	.566	.375		Gray	255-0025-00	366-0346-00		OB
12	.720	.790	.558	.759		Gray	255-0113-00	366-1333-00		DL
12	.720	.790	.558	.759		Gray	255-0302-00	366-1333-01		DL
12	.770	.406	.593	.356		Gray	255-0025-00	366-0396-00		OB
12	.780	.591	.507	.470		Gray	255-0025-00	366-0489-00		OB
12	.780	.591	.507	.470		Black	255-0282-00	366-1020-00		OB
14	.600	.375	.499	.250	Molded Cap	Silver Gray	255-0376-00	366-1267-00		DL
15	.855	.650				Gray	255-0302-00	366-1858-00		NP
15	.905	.350	.736	.225		Gray	255-0113-00	366-0492-00		DL
15	.937	.415	.766	.350		Ch Gray	255-0081-00	366-0421-00		OB
15	.976	.700	.718	.444		Silver Gray	255-0387-00	366-1794-00		DL
17	.531	1.025	.395	.312		Gray	255-0113-00	366-1370-00		DL
18	.912	.408	.670	.377		Gray	255-0113-00	366-1152-00	.449	CR
18	1.760	.530	1.580	.432		Black	255-0172-00	366-1561-01		NP
18	1.760	.530	1.580	.432		Black	255-0172-00	366-1561-02	2.115	CR
20	.400	.330	.275	.210	Slot on Top	Black	255-0332-00	366-1171-01	.296	CR
20	.400	.330	.277	.210	Slot on Top	Gray	255-0113-00	366-1171-00	.459	CR
20	.400	.270	.277	.210	Dot on Top	Gray	255-0113-00	366-1176-00	.346	CR
21	.855	.810				Gray		366-2016-00		OB
21	.906	.890	.662	.820		Gray	255-0447-00	366-1374-00		DL
25		.375		.237	For Lever Switches	Ch Gray	255-0160-00	366-0214-01		DL
25		.375		.237	For Lever Switches	Gray	255-0227-00	366-0214-03		OB
25		.375		.237	For Lever Switches	Gray	255-0302-00	366-0214-05		DL
32	1.240	.320	.782	.160	Top w/Detent	Black	254-0979-00	366-1695-01		DL
32A	1.396	.700	1.100	.621		Gray	255-0113-00	366-0386-01		DL
37	.855	.840	.571	.626		Gray	255-0302-00	366-1839-00		DL

^a For Knob Shell illustrations, see tab marked KNOBS, SHELL in the back of this catalog.^b The nominal price (at time of printing) is listed in the cost column. For Status Codes, see tab marked CODES in the back of this catalog.

KNOBS (cont)

INSERT^a

A ID	B OD	C Lgth	Fig	Remarks	Part Number	Codes ^b		A ID	B OD	C Lgth	Fig	Remarks	Part Number	Codes ^b	
						Cost	ST							Cost	ST
.055	.456	1.320	10		377-0570-00	.256	OT	.128	.280	.235	1		377-0212-00		DL
.080	.254	.200	1		377-0431-00		DL	.128	.328	.485	1		377-0100-00		DL
.080	.281	.200	5		377-0324-00		DL	.128	.370	.640	10		377-0512-00	.420	CR
.080	.380	.329	1		377-0444-00		DL	.128	.370	.640	10		377-0512-01	.141	CR
.080	.415	.205	1		377-0440-00		DL	.128	.370	.640	10		377-0512-02	.093	CR
.081	.284	.330	1	w/.100 Cutout	377-0384-00		DL	.128	.437	.400	1		377-0404-00	.200	CS
.081	.284	.330	1	w/.100 Cutout	377-0400-00		DL	.128	.720	.460	30		377-0689-00		DL
.083	.184	.200	1		377-0344-00		DL	.128	.743	.340	6		377-0206-00		DL
.083	.205	.250	1		377-0402-00		DL	.130	.565	.400	17		377-0230-00		OB
.083	.262	.220	1		377-0523-00	.150	CS	.159	.502	.328	1		377-0056-00	.167	CS
.083	.280	.250	1		377-0351-00		DL	.160	.446	.312	1		377-0338-00		DL
.083	.280	.294	1		377-0568-00		DL	.160	.453	.228	1		377-0245-00		OB
.084	.278	.270	2		377-0270-00		DL	.161	.284	.250	1		377-0311-00		DL
.084	.284	.420	13		377-0323-00		OB	.161	.284	.320	1		377-0274-00		OB
.094	.453	.345	17		377-0553-00		OB	.178	.370	.640	10		377-0550-00		NP
.096	.280	.250	1		377-0198-00		DL	.178	.370	.640	10		377-0550-01	.028	PP
.111	.312	.400	38	2/4040 Internal Threads	377-0597-00		EN	.178	.370	.881	10		377-0413-00	.221	CR
	Sq.							.178	.780	1.010	36		377-0383-00	.185	CR
.126	.231	.250	1		377-0423-00		DL	.182	.500	.495	37		377-0412-01	.249	CR
.126	.428	.350	1		377-0401-01		DL	.189	.383	.345	1		377-0017-00		DL
.126	.516	.570	15		377-0153-00	2.250	CR	.189	.400	.310	1		377-0201-01		DL
.126	.516	.570	15		377-0153-01	4.996	CR	.189	.453	.250	1		377-0201-00		DL
.126	.516	.570	15		377-0153-03	5.440	CR	.189	.565	.312	1		377-0204-00		DL
.126	.562	.200	1		377-0102-00		OB	.190	.377	.250	1		377-0315-00		DL
.126	1.104	.550	1		377-0439-00		DL	.190	.574	.327	1		377-0452-00	.852	CS
.127	.266	.200	8		377-0146-00		DL	.192	.512	.550	21		377-0353-01		DL
.127	.250	.440	8		377-0495-00		DL	.192	.512	.550	21		377-0389-01		DL
.127	.254	.200	1		377-0244-00		DL	.192	.520	.270	12		377-0333-00		DL
.127	.272	.350	20		377-0467-00		DL	.192	.565	.550	20		377-0389-00		DL
.127	.278	.270	2		377-0266-00		DL	.202	.573	.245	1		377-0522-00		DL
.127	.278	.370	2		377-0277-00		DL	.203	.663	.800	11		377-0293-03		DL
.127	.280	.200	1		377-0533-00		DL	.203	.663	.800	11	.100 x .010 Groove Around Middle	377-0293-05		DL
.127	.280	.250	1		377-0199-00		DL								
.127	.281	.200	5		377-0265-00		DL								
.127	.284	.200	1		377-0217-00		DL	.237	.384	.330	1		377-0564-00		DL
.127	.294	.295	1		377-0569-00		DL	.237	.384	.400	1		377-0558-00		DL
.127	.312	.250	29		377-0561-00		DL	.238	1.006	.270	1		377-0414-00	.470	CR
.127	.312	.445	8		377-0493-00		DL	.249	.565	.230	1		377-0482-00		DL
.127	.380	.250	1		377-0316-00		DL	.250	.500	.800	7		377-0398-00		DL
.127	.383	.197	1		377-0086-00		DL	.250	1.132	.340	22		377-0360-00		DL
.127	.390	.300	1		377-0234-00		DL	.251	.454	.250	1		377-0508-00		DL
.127	.400	.310	1		377-0200-02		DL	.251	1.125	.180	31		377-0544-00		DL
.127	.428	.343	1		377-0350-00		DL	.251	1.137	.424	9		377-0516-00		DL
.127	.451	.350	1		377-0530-00		DL	.252	.383	.345	1		377-0018-00		DL
.127	.453	.200	1		377-0200-01		DL	.252	.400	.200	1		377-0243-01		DL
.127	.453	.250	1		377-0200-00		DL	.252	.400	.310	21		377-0419-01		DL
.127	.520	.312	1		377-0513-00		DL	.252	.400	.310	1		377-0202-01		DL
.127	.565	.312	1		377-0203-00		DL	.252	.400	.302	1		377-0363-00		DL
.127	.565	.387	6		377-0289-00		DL	.252	.400	.344	1		377-0264-01		DL
.127	.625	.297	14		377-0058-00	.800	CR	.252	.415	.250	1		377-0355-00		DL
.127	.625	.297	14		377-0058-01		DL	.252	.428	.343	1		377-0380-00		DL
.127	.625	.297	14		377-0515-00	1.232	CR	.252	.432	.400	1		377-0032-00	.121	CR
.127	.625	.500	1		377-0532-00	.579	CR	.252	.453	.190	1		377-0379-00		DL
.127	.812	.260	1		377-0491-00		DL	.252	.453	.207	1		377-0210-00		DL
.1275	.383	.345	1		377-0016-00		DL	.252	.453	.250	1		377-0202-00		DL

^a For Knob Insert illustrations, see tab marked KNOBS, INSERT in the back of this catalog.

^b The nominal price (at time of printing) is listed in the cost column. For Status Codes, see tab marked CODES in the back of this catalog.

KNOBS (cont)

INSERT^a (cont)

A ID	B OD	C Lgth	Fig	Remarks	Part Number	Codes ^b	
						Cost	ST
.252	.453	.344	1		377-0264-00		DL
.252	.453	.375	3		377-0243-00		DL
.252	.453	.400	1	w/.073 x .200 Deep Slot	377-0441-00		DL
.252	.502	.266	1		377-0081-00		OB
.252	.502	.328	1		377-0014-00		DL
.252	.510	.550	21		377-0571-00		DL
.252	.512	.500	13		377-0555-00		DL
.252	.520	.270	12		377-0246-00		DL
.252	.512	.550	1		377-0236-01		DL
.252	.512	.550	17		377-0235-01		DL
.252	.520	.312	1		377-0514-00		DL
.252	.565	.230	1		377-0211-00		DL
.252	.565	.250	32		377-0288-00		DL
.252	.565	.312	21		377-0368-00		DL
.252	.565	.312	1	w/.036 Slots (2)	377-0205-00	.150	CR
.252	.565	.312	1		377-0205-03	1.171	CS
.252	.565	.500	1		377-0236-00		DL
.252	.565	.550	3		377-0235-00		DL
.252	.570	.275	1		377-0137-00	.309	CR
.252	.593	.345	1		377-0053-00		OB
.252	.681	.720	19		377-0294-04	1.374	CR
.252	.681	.720	19		377-0294-02	.410	CR
.252	.681	.720	19		377-0294-03	.766	CS
.252	.743	.250	6		377-0155-00		DL
.252	.750	.400	33		377-0554-00		DL
.252	.768	.342	1		377-0207-00		DL
.252	.888	.342	1		377-0208-00		DL
.252	.888	.595	17		377-0537-00		DL
.252	1.319	.200	1		377-0252-00		DL
.252	1.250	.300	34		377-0559-00		DL
.252	1.132	.234	18		377-0088-00	1.300	CR
.252	1.132	.234	18		377-0092-00	2.210	CS
.252	1.132	.234	18		377-0092-01		CR
.253	.440	.220	1		377-0300-00		OB
.253	.500	.342	7		377-0453-00		DL
.253	.677	.250	35		377-0253-00	.873	CR
.257	.812	.500	1		377-0494-00		DL
.257	1.000	.382	14		377-0492-00		DL
.264	.565	.312	1		377-0205-01		PP
.266	.681	.720	19		377-0294-05	2.257	CR
.267	.562	.250	1		377-0161-00		OB
.267	.565	.312	1		377-0317-00		OB
.268	.502	.328	1		377-0015-00	.699	CR
.268	.754	.322	1		377-0231-00		OB
.343	.681	.641	16		377-0424-00	6.532	CS
.368	1.158	.188	1		377-0128-00		OB
.386	.556	.645	23		377-0524-00		DL
.386	.556	.645	24	w/354-0622-00 & 214-3157-00	377-0524-01	2.845	CR
.437	.873	.287	26		377-0078-00		OB
.469	.528	.180	25		377-0138-00		DL
.470	.715	.366	28		377-0488-00		DL
.874	1.125	.619	27		377-0464-01		CS

^a For Knob Insert illustrations, see tab marked KNOBS, INSERT in the back of this catalog.^b The nominal price (at time of printing) is listed in the cost column. For Status Codes, see tab marked CODES in the back of this catalog.

KNOBS (cont)

LATCH

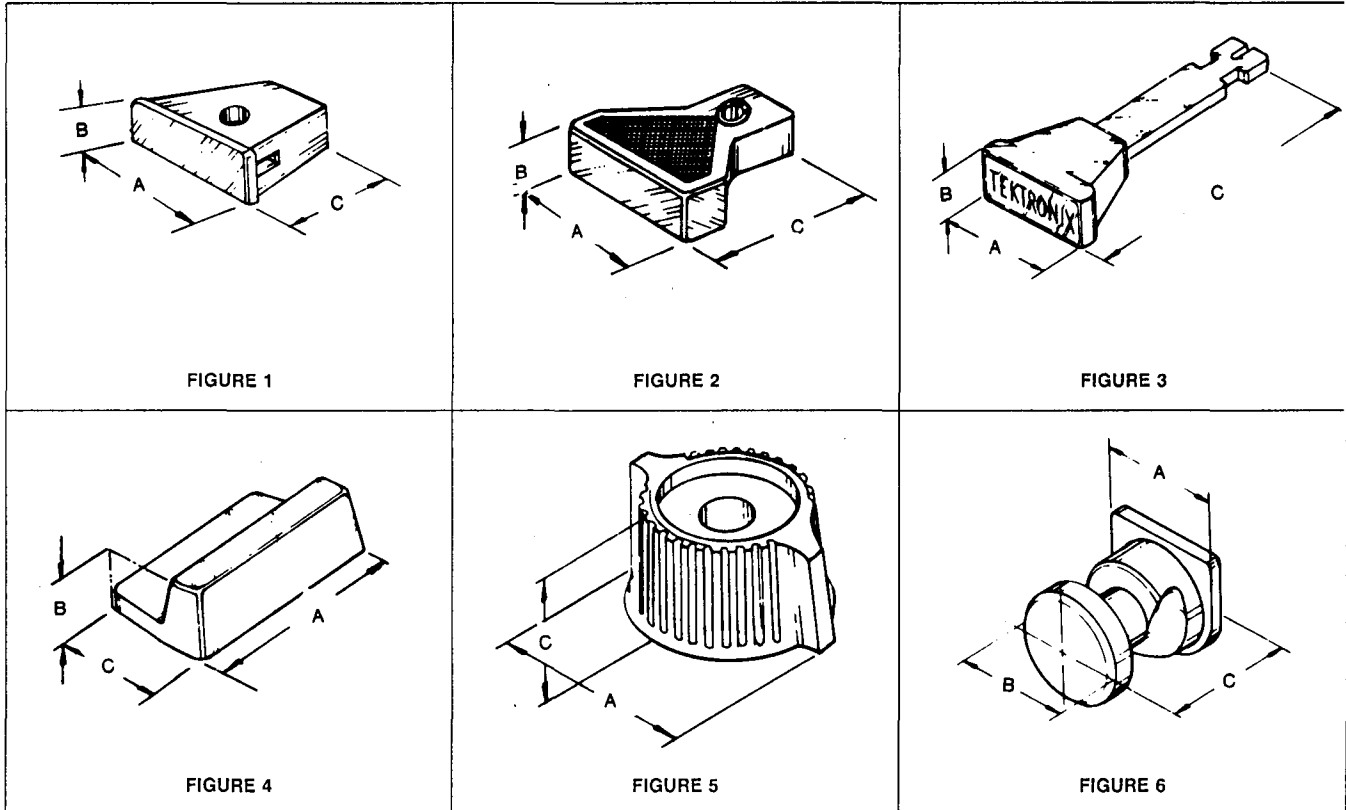


Fig	Material	Color	Dimensions			Nomenclature	Part Number	Codes ^a		
			A	B	C			Cost	ND	ST
1	ABS	255-0220/0376-00	.425	.350	.675		366-1471-01			DL
1	Acetal	255-0285-00	.500	.200	.375		366-1286-02	1.549		CS
1	Acetal	255-0227-00	.500	.200	.375		366-1286-03	.528	U	CR
1	Acetal	255-0217-00	.500	.200	.375		366-1422-01	.418		CR
1	PC	255-0488-04	.625	.255	.350		366-2023-00	.160		CR
2	Acetal	255-0160-00	1.000	.305	.750		366-1172-00	.564		CR
3	PC	255-0343-00	.530	.230	1.059	TEKTRONIX	366-1690-00	1.272		CR
3	PC	255-0343-00	.530	.230	1.059		366-1690-01	.150		CS
3	PC	255-0488-04	.530	.230	1.059	TEKTRONIX	366-1690-02	.619		CR
3	PC	255-0488-04	.625	.250	1.000	TEKTRONIX	366-1851-00	.241		CR
3	PC	255-0298-00	.625	.250	1.090	TEKTRONIX	366-1851-01 ^b	.371		CR
4	ABS	255-0113-00	1.115	.343	.600		366-1729-00	.322		CR
5	Acetal	255-0227-00	.850		.575		366-1154-00	.847		CR
6	Acetal	255-0173-00	.720	.595	.760		366-1724-00	.358		CS

^a The nominal price (at time of printing) is listed in the cost column. For ND (New Design Recommendations) and Status Codes, see tab marked CODES in the back of this catalog.

^b Safety controlled.

DIAL, TURNS COUNTING

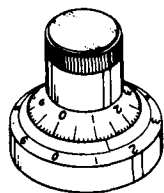


FIGURE 1

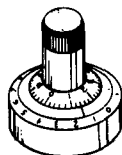


FIGURE 2

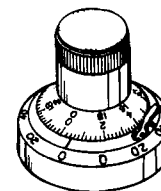


FIGURE 3

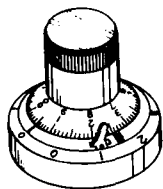


FIGURE 4

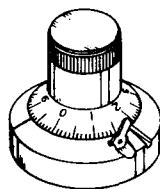


FIGURE 5

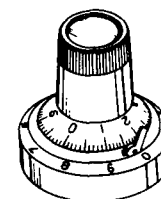


FIGURE 6

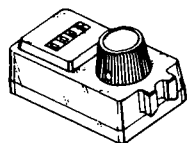
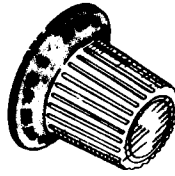


FIGURE 7

Part Number	Codes ^a			Kilo Part Number	Figure	Description	Base
	Cost	ND	ST				
331-0139-00	5.780		CR	461-S-41	1	Control Dial (10-turn Counting, for .250 Diameter Shaft)	1" OD
331-0152-00			OB	471-S-52	1	Control Dial (10-turn Counting, for .125 Diameter Shaft)	1" OD
331-0153-00			OB	471-S-51	1	Control Dial (10-turn Counting, for .125 Diameter Shaft)	1" OD
331-0168-01	11.210		CS	482-G	4	Control Dial (5-turn Counting, Each Direction from Center, with Brake, for .094 Diameter Shaft)	1" OD
311-0175-00			OB	461-S-45	1	Control Dial (Turn Counting 0 to 10, for .250 Diameter Shaft, w/o Brake) Readout will Decrease w/CW Rotation & Increase w/CCW Rotation.	1" OD
331-0195-00	20.620		CR	483-S-21	3	Control Dial (5-turn Counting, Each Direction, with Brake, for .094 Dia Shaft)	1" OD
331-0231-01	6.120		CR	462-S-29	6	Control Dial (10-turn Counting, for .250 Diameter Shaft, with Brake)	1" OD
331-0247-00	6.920		CR	771-S-1	2	Control Dial (10-turn Counting, for .125 Diameter Shaft)	3/4" OD
331-0291-00	6.480		CR	781-S-3	2	Control Dial (10-turn Counting, for .094 Diameter Shaft)	3/4" OD
331-0310-00	18.100		CR	15-9-107	7	Control Dial (10-turn Digital, for .125 Diameter Shaft)	1.74 x 1.
331-0328-00	5.780		CR	461-S-70	1	Control Dial (10-turn Counting, for .250 Diameter Shaft)	1" OD
331-0360-00	6.920	U	CR	771-S-5	2	Control Dial (5-turn Counting, for .125 Diameter Shaft)	3/4" OD
331-0361-01	4.670	U	CR	572-S-1	5	Control Dial (Single Turn, for .188 Diameter Shaft with Locating Pin)	1" OD
331-0373-00	6.580		CR	771-S-6	2	Control Dial (3-turn Counting, for .125 Diameter Shaft, Left Side Readout)	3/4" OD

^a The nominal price (at time of printing) is listed in the cost column. For ND (New Design Recommendations) and Status Codes, see tab marked CODES in the back of this catalog.

KNOBS, DIAL



SUBPARTS

OD	Insert ID	Skirt Marking	Shell Color	Cap Color	Assembly Part Number	Codes ^a			Skirt Part Number	Shell ^b Part Number	Cap ^c Part Number	Insert ^d Part Number
						Cost	ND	ST				
.625		0 - 100 (Kilo, 871-5-1)	Gray		366-1410-00	5.280	U	OT				
.760	.127	None	Clear		366-1645-00	1.147		CS	331-0385-03	366-0497-01		
.760	.127	None	Clear		366-1645-01	4.473		CR	331-0385-03	366-0497-01		
1.000	.252	1 mV - 50 (Volt/Div)	Gray	Black	366-1367-00			NP	354-0339-06	366-1862-00	Molded	377-0202-01
1.000	.252	1 m - 50 (Volt/Div)	Gray		366-1367-01	3.053	U	CR	354-0339-07	366-1862-00		377-0202-01
1.000		5 m - 100 (Volts/Div)	Gray		366-1733-01 ^e	2.448		CR	354-0545-02	366-1733-00	None	None
1.000		2 m - 100 (Volt/Div)	Gray		366-1746-00 ^e	1.163		CS	354-0545-03	366-1621-00	None	None
1.000		1 m - .2 k (Volt/Div)	Gray		366-1733-02 ^e	.958		CR	354-0545-04	366-1733-00	None	None
1.000		2 m - 100 (Volt/Div)	Gray		366-1646-01 ^e	.875		CS	354-0545-03	366-1621-00	None	None
1.025	w/Shaft	.1 - 50 m	Gray		366-2148-01	.541		CR	354-0636-01	366-2148-00		
1.125	.127	1 mV - 1 mA	Gray	Black	366-1362-00	1.203		CR	354-0339-03	366-1834-00	Molded	377-0513-00
1.125	.192	1 mA - 50 V	Gray		366-1669-00	2.139		CR	354-0399-18	366-1333-01	200-0841-04	377-0389-00
1.125	.192	.1 - 50 m (Volt/Div)	Gray	Black	366-1425-00	1.003		CS	354-0399-06	366-1870-00	None	377-0389-01
1.125	.192	5 m - 100 (Volt/Div)	Gray	Black	366-1425-02	1.003		CS	354-0399-19	366-1870-00	None	377-0389-01
1.125	.192	1 m - .2 k (Volt/Div)	Gray	Dark Gray	366-1567-05	2.011		CR	354-0399-12	255-0302-00	None	377-0389-01
1.125	.192	.5 m - 50 (Volt/Div)	Gray		366-1426-01			NP	354-0399-22	366-1870-00	None	377-0389-01
1.125	.192	.1 - 50 (Volt/Div)	Gray	Black	366-1426-00	2.094		CR	354-0399-05	366-1870-00		377-0389-01
1.125	.192	1 m - .2 k (Volt/Div)	Gray	Black	366-1567-03	1.003		CS	354-0399-12	366-1870-00	None	377-0389-01
1.125	.252	.1 - 50 mV	Gray		366-1092-00	1.164		CS	354-0339-02	366-1835-00	None	377-0514-00
1.125	.252	.5 μ - .5 (Time/Div)	Gray		366-1281-03	.879		CS	354-0388-15	366-1835-00	None	377-0514-00
1.125	.252	.2 μ - .5 (Time/Div)	Gray		366-1281-02	.879		CS	354-0399-14	366-1835-00	None	377-0514-00
1.125	.252	1 mV - 50 (Volt/Div)	Gray	Black	366-1281-00	1.222		CS	354-0399-01	366-1835-00	None	377-0514-00
1.125	.252	A Pointer	Gray	Black	366-1508-00	.966	U	CR	354-0399-07	366-1836-00	Molded	377-0514-00
1.125	.252	20 μA - 1 (Base/Gate)	Gray		366-1376-00	1.370	U	CR	354-0399-03	366-1835-00	None	377-0514-00
1.125	.252	10 μA - 20 mA (Curr/Div)	Gray	Black	366-1375-00	1.923	U	CR	354-0399-04	366-1093-00	None	377-0368-00
1.125	.252	.1 μ - 50 (Sec/Div)	Gray	Dark Gray	366-1735-01	2.267		CR	354-0399-21	366-1871-00	None	377-0236-01
1.125	.252	.1 μ - .5 (Time/Div)	Gray		366-1281-01	.879		CS	354-0399-13	366-1835-00	None	377-0514-00
1.125	.252	1. - 15	Gray	Black	366-1630-00	1.062		CS	354-0399-16	366-1869-00	None	377-0236-01
1.125	.252	5 ms - 10 nS (Sec/Samp)	Gray	Black	366-1631-00	1.250		CS	354-0399-17	366-1867-00	Molded	377-0236-01
1.125	.252	1 m - 100 V (Volt/Div)	Gray	Black	366-1521-00	1.172		CS	354-0399-08	366-1868-00	None	377-0235-01
1.125	.252	.1 μ - 50 n (Sec/Div)	Gray	Dark Gray	366-1735-00	1.058		CR	354-0399-20	366-1871-00	None	377-0236-01
1.125	.252	.1 μ - 50 n (Sec/Div)	Gray	Black	366-1567-02	1.062		CS	354-0399-11	366-1869-00	None	377-0236-01
1.125	.252	.1 m - 50 n (Sec/Div)	Gray	Dark Gray	366-1567-04	2.065		CR	354-0399-11	366-1871-01	None	377-0236-01
1.125	.252	(Timing)	Clear		366-1662-00	1.011		CS	255-0339-00	None	None	377-0453-00
1.125		5 m - 50 (Volt/Div)	Gray		366-1722-01 ^e	1.057		CS	354-0636-02	366-1722-00	None	None
1.150	.252	.2 μ - 50 m (Sec/Div)	Gray		366-1350-00			NP	354-0416-01	366-1345-00	None	377-0355-00
1.150	.252	.2 μ - 50 m (Sec/Div)	Gray		366-1350-01	3.705	U	CR	354-0416-07	366-1345-00	None	
1.150	.252	.1 m - 50 n (Sec/Div)	Gray		366-1456-01	5.071	U	CR	354-0416-06	366-1345-00	None	377-0355-00
1.150	.252	.1 nS - 100 μS (Dly Swp)	Gray		366-1478-00	6.204	U	OT	354-0416-03	366-1345-00	None	377-0355-00
1.150	.252	.1 - 50 m (Sec/Div)	Gray		366-1532-00	1.285		CS	354-0416-05	366-1345-00	None	377-0355-00

^a The nominal price (at time of printing) is listed in the cost column. For ND (New Design Recommendations) and Status Codes, see tab marked CODES in the back of this catalog.

^b For Shell details, see pages 7-14 and 7-15.

^c For Cap Details, see Pages 7-12 and 7-13.

^d For Insert Details, see Pages 7-16 and 7-17.

^e These are all knobs w/shaft.

KNOBS, DIAL (cont)

SUBPARTS

OD	Insert ID	Skirt Marking	Shell Color	Cap Color	Assembly Part Number	Codes ^a			Skirt Part Number	Shell ^b Part Number	Cap ^c Part Number	Insert ^d Part Number
						Cost	ND	ST				
1.230	.192	.1 m - 1 k	Gray		366-1536-00	1.567		CS	354-0480-01	366-1333-00		377-0389-00
1.230	.250	.1 - 50 m (Volt/Div)	Gray		366-1618-01	2.262	U	CR	354-0480-04	366-1835-00		377-0514-00
1.230	.252	.1 - 50 m (Volt/Div)	Gray		366-1618-00			NP	354-0480-02	366-1835-00	None	377-0514-00
1.230	.252	(Timing)	Gray		366-1852-01	2.300		CR	354-0480-00	366-1852-00	None	377-0235-01
1.287	.252	None	Gray	Black	366-1356-00	3.223		CR	331-0284-00	366-0382-00	200-0840-00	377-0243-00
1.375	.080	Stop Freq.	Gray		366-1609-00	4.483		CR	354-0532-00	366-1345-02	200-0926-02	377-0440-00
1.400	.252	0 - 10	Gray	Black	366-1090-00	1.646		CR	354-0338-00	366-0384-00	200-0848-00	377-0207-00
1.452		0 - 11	Gray		366-1670-00	1.272		CS	331-0385-02	366-1024-02		
1.452	.234	0 - 5 (Dial Scale)	Gray		366-1639-00	7.055		CS	331-0287-05	366-1335-00	None	377-0092-00
1.452	.234	0 - 5 (Dial Scale)	Gray		366-1639-01	13.350		CR	331-0287-05	366-1335-00	None	377-0092-00
1.452	.251	0 - 60, 0-10	Ch Gray		366-2026-00	11.763		CR	331-0558-00		None	377-0544-00
1.452	.252	50 ms - 50 ns	Gray		366-1204-00	13.294	U	CR	331-0255-00	366-1150-00	None	377-0252-00
1.452	.560	300 - 3m	Ch Gray		366-1830-00	14.099		CR	331-0293-04			377-0516-00
1.452	.560	30 - 3m	Ch Gray		366-1796-00	14.815		CR	331-0457-00			377-0516-00
1.475	.127	.50 mV Cal (Variable)	Gray	Black	366-1347-00	1.349		CS	354-0401-03	366-1834-00	200-0841-03	377-0513-00
1.475	.127	1 - 10 (Variable)	Gray	Black	366-1349-00	1.349		CS	354-0401-05	366-1834-00	200-0841-03	377-0513-00
1.475	.127	1 - 10 (Multiplier)	Gray	Black	366-1428-00	1.349		CS	354-0401-10	366-1834-00	200-0841-03	377-0513-00
1.475	.250	1 m - 50 (Volt/Div)	Gray		366-1316-01	2.079	U	CR	354-0401-21	366-1835-00		377-0514-00
1.475	.250	10 μ - 50 (Volt/Div)	Gray		366-1366-01	2.638	U	CR	354-0401-22	366-1835-00		377-0514-00
1.475	.250	.1 m - 50	Gray		366-1400-01	3.348	U	CR	354-0401-25	366-1835-00		377-0514-00
1.475	.250	1 m - 20	Gray		366-1395-01	2.277	U	CR	354-0401-24	366-1835-00		377-0514-00
1.475	.252	.1 mV - 50 V (Volt/Div)	Gray		366-1295-00			NP	354-0401-01	366-1835-00	None	377-0514-00
1.475	.252	1 mV - 50 V (Volt/Div)	Gray		366-1316-00			NP	354-0401-02	366-1835-00	None	377-0514-00
1.475	.252	1 - 10 (Multiplier)	Gray	Black	366-1348-00	1.853		CS	354-0401-04	366-1093-00	200-0841-03	377-0211-00
1.475	.252	1 nV - 50 V (Volt/Div)	Gray		366-1390-00	1.682		CS	354-0401-06	366-1835-00	None	377-0514-00
1.475	.252	10 μ - 50 V (Volt/Div)	Gray		366-1366-00			NP	354-0401-07	366-1835-00	None	377-0514-00
1.475	.252	50 μ V - 50V (Time/Div)	Gray		366-1295-01	2.277	U	CR	354-0401-20	366-1835-00		377-0514-00
1.475	.252	1 mV - 20 V (Volt/Div)	Gray		366-1395-00			NP	354-0401-08	366-1835-00	None	377-0514-00
1.475	.252	1 mV - 1 kV (Volt/Div)	Gray		366-1400-00			NP	354-0401-09	366-1835-00	None	377-0514-00
1.475	.252	5 nA - .1 μ A	Gray	Black	366-1417-02	3.601	U	CR	354-0401-07	366-1868-00	None	377-0235-01
1.475	.252	.1 A - 50 mA	Gray	Black	366-1433-02	4.765	U	CR	354-0401-18	366-1836-00	Molded	377-0514-00
1.475	.252	.1 μ A - 50 nA	Gray	Black	366-1501-00	7.785	U	CR	354-0401-13	366-1836-00	Molded	377-0514-00
1.531	.252	.1 μ - .5 V	Gray		366-1343-01	3.712	U	CR	354-0415-07	366-1344-00	None	377-0211-00
1.531	.252	.1 - 50 m (Sec/Div)	Gray		366-1533-00	1.641		CS	354-0415-05	366-1344-00	None	377-0211-00
1.531	.252	1 V - 5 (Volt/Div)	Gray		366-1433-00	1.721		CS	354-0415-01	366-1836-00	Molded	377-0514-00
1.531	.252	10 nS - 100 μ S (Time/Div)	Gray		366-1476-00	6.089	U	OT	354-0415-00	366-1344-00	None	377-0211-00
1.531	.252	10 n - .5 (Sec/Div)	Gray		366-1455-03			NP	354-0415-00	366-1344-00	None	377-0482-00
1.562	.252	10 n - .5 (Sec/Div)	Gray		366-1455-04	4.616	U	CR	354-0415-08	366-1344-00	None	377-0514-00
1.562	.252	.1 μ V - 5 V (Volt/Div)	Gray		366-1294-00			NP	354-0400-01	366-1835-00	None	377-0514-00
1.562	.252	.1 μ V - .5 V (Time/Div)	Gray		366-1294-01	2.463	U	CR	354-0400-07	366-1835-00		377-0514-00
1.562	.252	.1 - 50 m (Sec/Div)	Gray		366-1575-00	1.373		CS	354-0400-05	366-1835-00	None	377-0514-00
1.562	.252	.1 - 50 m (Sec/Div)	Gray		366-1445-00			NP	354-0400-05	366-1835-00	None	377-0514-00
1.562	.252	.1 - 50 m (Sec/Div)	Clear		366-1445-01	3.109	U	CR	354-0400-08	366-1835-00		
1.562	.252	.1 μ V - 50 V (Sec/Div)	Gray	Black	366-1509-01	2.526		CR	354-0400-03	366-1868-00	None	377-0235-01
1.710	.252	Index Line	Gray	Black	366-1606-00	3.087		CS	354-0525-01	366-1868-00	None	377-0235-01
1.750	.252	.1 - 50	Gray	Black	366-1417-01	1.170		CS	354-0401-04	366-1868-00	None	377-0235-01
1.750	.252	.05 - 200	Gray	Black	366-1418-01	3.815		CR	354-0401-15	366-1867-00	Molded	377-0236-01
1.750	.252	.2 - 200	Gray		366-1417-00	1.725		CS	354-0441-00	366-1868-00	None	377-0235-01
1.750	.645	.11 - 30	Gray		366-2048-00	1.482		CR	354-0441-05	366-1887-01		377-0236-01
1.850	.252	.1 - 200	Gray	Black	366-1095-01	2.831		CS	354-0340-00	366-1094-00	200-0920-00	377-0208-00
1.850	.252	.15 - 100	Gray	Black	366-1462-00	6.879	U	CR	354-0340-02	366-1094-00	200-0920-00	377-0208-00
2.260	.252	1 - 30	Gray	Black	366-1007-03	1.880		CS	354-0522-01	366-1007-01	200-0844-00	377-0208-00

^a The nominal price (at time of printing) is listed in the cost column. For ND (New Design Recommendations) and Status Codes, see tab marked CODES in the back of this catalog.

^b For Shell details, see pages 7-14 and 7-15.

^c For Cap Details, see Pages 7-12 and 7-13.

^d For Insert Details, see Pages 7-16 and 7-17.

PUSHBUTTON

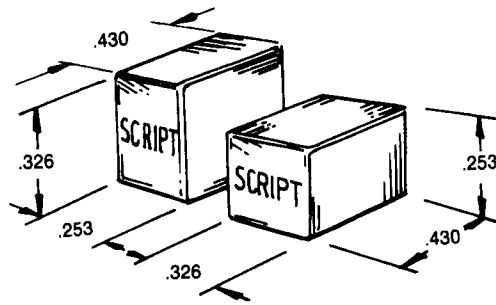


FIGURE 1

FIGURE 2

BLANKET PART NUMBER - 366-1257-00
 MATERIAL - ABS (255-0376-00)
 COLOR - SILVER GRAY

Nomenclature	Part Number	Codes ^a			Figure	Nomenclature	Part Number	Codes ^a			Figure
		Cost	ND	ST				Cost	ND	ST	
A	366-1557-59			OB	2	CH 2	366-1557-20	.361	U	CR	2
A DUAL	366-1257-33	.252	U	CR	1	CH 2	366-1257-20	.233	U	CR	1
A INTEN	366-1557-27	.068		CS	2	CH 2 INVERT	366-1257-32	.068	U	CR	2
A INTEN	366-1402-44	.450		CR	1	CH 2 INVERT	366-1489-64	.474	U	CR	1
A INTEN B DLY'D	366-1257-35	.300	U	CR	1	CH 2 ON	366-1489-61	.474	U	CR	1
A LOCK KNOBS	366-1489-36	.357		CR	1	CH 2 TRIG	366-1489-63	.474	U	CR	1
A SWP MAG	366-1257-37	.300	U	CR	2	CHART POWER	366-1257-65			OB	2
AC	366-1257-02	.068		CS	2	CHG GND	366-1257-12	.189	U	CR	1
AC	366-1489-06	.068	U	CS	2	CHOP	366-1257-31	.207	U	CR	2
AC COUPL	366-1257-27	.233	U	CR	1	CHOP	366-1402-37	.245		CR	1
AC/DC	366-1257-91	.209	U	CR	2	COLOR	366-1489-46	1.535		CS	2
AC HF	366-1557-29	.068		CS	2	COMP	366-1257-06	.068		CS	2
AC LF REJ	366-1557-18	.265		CS	2	COMPLEMENT (-)	366-1489-49	.068		CS	1
AC PRE	366-1257-11	.189	U	CR	1	CONT	366-1557-75	.474		CR	2
ADD	366-1257-16	.068	U	CR	1	COUPL AC	366-1257-99	.252	U	CR	2
ADD	366-1402-04	.201	U	CR	2	CTR	366-1489-85	.068		CS	2
AID	366-1402-51	.252	U	CR	2	CURR PROBE ONLY	366-1257-13	.353	U	CR	1
ALT	366-1402-03	.203	U	CR	2	dB	366-1557-19	.068		CS	1
ALT	366-1402-36	.243		CS	1	dBm 50Ω	366-1489-90	.068		CS	2
AMP	366-1489-03	.214		CS	1	dBm 600 Ω	366-1489-83	.068		CS	1
AUTO	366-1257-07	.261		CS	2	DEMOT TEST	366-1489-88	.068		CS	2
AUTO	366-1257-67	.068		CS	1	DIAGN	366-1402-92			OB	2
AUTO	366-1402-38	.424		CR	1	DIG	366-1557-03	.252		CR	2
AUTO ERASE	366-1402-23	.068		CS	2	DIRECT	366-1489-96	.278		CR	2
AUTO TRIG	366-1257-26	.180	U	CR	1	DISPLAY OFF	366-1557-46			OB	2
A/V	366-1557-60			OB	2	DISP ON	366-1489-86	.068		CS	2
A/V PULSE	366-1557-58			OB	2	DLY'D SWP	366-1402-80	.068	U	CR	1
B	366-1489-47	.068		CS	2	DMM	366-1402-84	.366		CR	1
BACK PORCH	366-1557-72	.252		CR	2	ECG	366-1557-55			OB	2
B DLY'D	366-1402-35	.550		CR	1	ENHANCE	366-1402-22	.068		CS	2
B TRIG-ABLE	366-1489-69	.068		CS	2	ENV	366-1557-71	.474		CR	2
B TRG AFTER DLY	366-1257-36	.314	U	CR	1	ERASE	366-1257-46	.222	U	CR	1
BEAM FINDER	366-1402-42	.310	U	CR	2	ERASE	366-1257-84	.068		CR	2
BI STABLE	366-1402-13	.289	U	CR	2	EXT	366-1257-24	.068		CR	1
BLUE ONLY	366-1257-94	.572		CR	2	EXT	366-1402-71	.068		CR	2
B & W	366-1489-45	.068		CS	2	EXT	366-1489-43	.267		CR	2
B W LIMIT	366-1557-85	.262		CR	1	EXT ATTEN	366-1257-08	.068		CS	2
B BY	366-1557-28	.068		CS	1	EXT SIG	366-1257-66			OB	2
CAL	366-1489-98	.252		CR	2	FAST	366-1402-12	.230	U	CR	2
CH 1	366-1257-01	.068		CS	2	FAST	366-1489-97	.237		CR	2
CH 1	366-1257-19	.241	U	CR	1	FET	366-1257-86	.068	U	CR	1
CH 1 DUAL	366-1257-17	.216	U	CR	1	FREQ MKR	366-1489-79	.068		CS	1
CH 1 ON	366-1489-60	.474	U	CR	1	GND	366-1257-03	.068		CS	2
CH 1 PLUS CH 2	366-1489-62	.474	U	CR	1	HF REJ	366-1402-58	.474	U	CR	1
CH 1 Y CH 2 X	366-1402-69	.474	U	OT	1	HF SYNC	366-1402-68	.474	U	OT	1

^a The nominal price (at time of printing) is listed in the cost column. For ND (New Design Recommendations) and Status Codes, see tab marked CODES in the back of this catalog.

PUSHBUTTON (cont)

Nomenclature	Part Number	Codes ^a			Figure	Nomenclature	Part Number	Codes ^a			Figure
		Cost	ND	ST				Cost	ND	ST	
HIGH	366-1402-43	.252	U	CR	2	RESP	366-1557-80			OB	2
HR REJ	366-1257-10	.068		CS	2	RGB	366-1402-81	.068		CS	2
I	366-1402-95			OB	2	RIGHT	366-1257-58	.332	U	CR	1
II	366-1402-96			OB	2	RIGHT	366-1402-06	.191	U	CR	2
III	366-1402-97			OB	2	RMS	366-1402-85	.252		CR	1
IN	366-1557-70	.252		CR	2	SAMPLE/MARK	366-1557-56			OB	2
IN A/V OUT A	366-1557-78			OB	2	SAVE	366-1402-21	.235	U	CR	2
INT	366-1402-27	.068		CS	1	SAVE	366-1489-70	.474	U	CR	1
INT	366-1557-17	.260		CS	2	SGL SWP	366-1489-91	.068		CS	2
INT CH 1	366-1402-67	.474	U	OT	1	SIMPL	366-1489-53	.068		CS	2
INT/EXT	366-1257-92	.195	U	CR	2	SINGL SCAN	366-1489-32	.252	U	OT	1
INTENS SWP	366-1402-79	.068	U	CR	1	SINGL SWP	366-1257-29	.229	U	CR	1
INTR	366-1557-74	.381		CR	2	SINGLE	366-1402-54	.252	U	CR	2
INT TERMN	366-1489-84	.068		CS	2	SLOPE +	366-1257-97	.252	U	CR	2
INVERT	366-1402-31	.417		CR	2	SLOW	366-1402-62	.252	U	CR	2
IN: START OUT: STOP	366-1402-64	.068		CS	1	SOURCE INPUT B	366-1257-98	.330	U	CR	2
LEFT	366-1257-57	.252	U	CR	1	SPLIT	366-1557-76	.474		CR	2
LEFT	366-1402-02	.193	U	CR	2	START	366-1402-01	.068	U	OT	1
LEFT AC	366-1489-68			DL	2	STEP	366-1257-63			OB	2
LEFT COMP	366-1257-21	.237	U	CR	1	STORE	366-1257-85	.212		CR	2
LF REJ	366-1257-09	.068		CS	2	STORE	366-1402-18	.068		CS	2
LF REJ	366-1402-75	.252	U	CR	1	STORE	366-1489-71	.474	U	CR	1
LIN	366-1257-89	.474		CR	1	SWP	366-1489-02	.474	U	CR	1
LINE	366-1257-23	.227	U	CR	1	SWP B	366-1257-59	.321	U	CR	1
LINE RIGHT	366-1489-67			DL	2	SWP MAG	366-1257-25	.220	U	CR	1
LO NOISE	366-1402-70	.474	U	OT	1	SYNC TIP	366-1557-01	.252		CR	2
LOWER	366-1257-45	.199	U	CR	1	SYST - DIAST	366-1557-47			OB	2
LUM OFF	366-1557-22	1.535		CR	2	S1	366-1489-04	.068	U	CS	2
mA	366-1402-87	.357		CR	2	TEMP	366-1557-44			OB	2
MAIN SWP	366-1402-65	.449	U	CR	1	TEMP	366-1489-73	.227	U	CR	2
MAN	366-1402-72	.441	U	OT	1	TRACE CH 2	366-1257-18	.201	U	CR	1
MAN	366-1557-68	.699		CR	2	TRIG VIEW	366-1557-84	.260		CR	1
MAN TRIG	366-1489-48	.068		CS	1	TRKG GEN	366-1489-82	.068		CS	2
MEAN	366-1402-91			OB	2	TV LINE/EXT	366-1257-96	.474	U	CR	2
MIX	366-1402-29	.327		CR	1	UPPER	366-1257-44	.199	U	CR	1
MNL	366-1557-07	.068		CS	1	VAR PERSIST	366-1402-25	.297	U	CR	2
mS	366-1489-74	.068		CR	1	VAR	366-1557-02	.068		CR	2
MULTI TRACE	366-1402-10			OB	2	Vc	366-1257-75	.068		CS	1
NOISE FILTER	366-1257-64			OB	2	VERT	366-1257-95	.474	U	CR	2
NON STORE	366-1402-08	.252	U	CR	2	VERT LINE	366-1489-94	.068		CS	1
NORM	366-1257-05	.270		CS	2	VERT MODE	366-1402-07	.233	U	CR	2
NORM	366-1402-39	.306		CR	1	VIDEL FLTR 300 Hz	366-1489-87	.068		CS	1
NTSC TEST	366-1489-52	.068		CS	2	VIDEO FLTR 10 Hz	366-1489-80	.068		CS	1
OFF	366-1402-98	.261		CR	2	VIDEO LEFT	366-1489-93	.068		CS	1
ON	366-1257-14	.175	U	CR	2	VOLTS	366-1402-86	.399		CR	1
ON	366-1489-95	.474		CR	2	X1	366-1489-72	.068		CS	1
ON	366-1257-74	.239		CR	1	X1 x 10	366-1257-93	.190	U	CR	2
OSITE RIGHT	366-1257-22	.241	U	CR	1	X1K	366-1402-48	.068		CR	1
OUT	366-1557-69	.252		CR	2	X10	366-1257-87	.252	U	CR	1
PAPER FEED	366-1489-38	.068		CS	1	X10 MAG (IN)	366-1402-33	.350		CR	2
PNP PCH (-)	366-1257-76	.068	U	CR	1	X10K	366-1402-50	.474		CR	1
POWER	366-1402-93	.243		OT	2	X100	366-1402-41	.068		CR	1
PULSE	366-1402-89			OB	2	100K	366-1402-49	.068		CR	1
PULSE ALARM	366-1557-43			OB	2	X20 ATTEN	366-1489-66	.068		CS	1
Q-P	366-1489-26	.357		CR	2	X5	366-1402-00	.068		CS	1
RATE	366-1557-45			OB	2	.015	366-1489-77			DL	2
REJ DC	366-1557-30	.068		CS	2	.714	366-1557-41	.068		CR	2
REP	366-1402-66	.691		OT	1	0.75	366-1557-54	.474		CR	2
RESET	366-1257-30	.207	U	CR	1	ZERO	366-1489-37	.068	U	CR	2
RESET	366-1489-23			OB	2						

^a The nominal price (at time of printing) is listed in the cost column. For ND (New Design Recommendations) and Status Codes, see tab marked CODES in the back of this catalog.

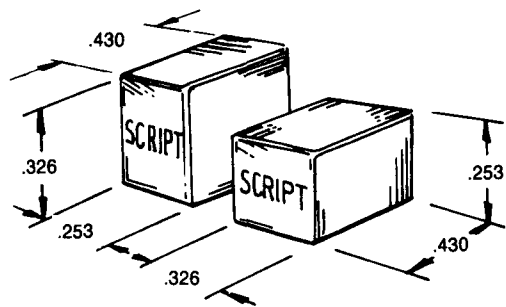
PUSHBUTTON (cont)

Nomenclature	Part Number	Codes ^a			Figure
		Cost	ND	ST	
1	366-1257-80	.068		CS	1
1	366-1489-07	.068		CR	2
1 mS	366-1257-49	.068		CS	1
1 mV	366-1557-05			OB	2
1 SEC	366-1402-28	.068		CS	1
1 μS	366-1257-51	.068		CS	1
1 V	366-1257-55	.068		CR	1
1 nS	366-1489-35	.252		CS	1
1 S	366-1489-75	.068		CS	1
1.25	366-1557-53	.474		CR	2
1.75	366-1557-61	.474		CR	2
10	366-1402-45	.474		CR	1
10	366-1489-16	.068		CR	2
10 mS	366-1257-48	.068		CS	1
10 mV	366-1257-52	.068		CS	1
10 μS	366-1257-60	.068		CS	1
10 V	366-1257-53	.068		CS	1
10 dB	366-1557-77	.474		CR	2
10 dB/DIV	366-1489-89	.068		CS	1
10 dB/DIV	366-1257-62	.474		CR	1
10 kHz	366-1257-15	.068	U	CR	2
10 kHz	366-1257-77	.252	U	CR	1
10 X	366-1402-83	.068		CS	2
100 mm CHECK	366-1557-48			OB	2
100 mS	366-1257-47	.068		CS	1
100 μS	366-1257-50	.068		CS	1
100 mV	366-1257-54	.068		CR	1
10-20 V	366-1402-40	.252		CR	1
11	366-1489-17	.068		CR	2
12	366-1489-18	.068		CR	2
125	366-1489-24			OB	2
13	366-1489-19	.068		CR	2
14	366-1489-20	.068		CR	2
15	366-1489-21	.068		CR	2
150	366-1557-49			OB	2
15 LINES	366-1557-04	.237		CR	2
16	366-1489-22	.068		CS	2
2	366-1489-08	.068		CR	2
2	366-1489-99	.252		CR	2
2	366-1257-81	.068		CR	1
2 DIV CHECK	366-1402-94			OB	1
2 dB/DIV	366-1257-61	.474		CR	1
2 nS	366-1489-34	.068		CS	1
2 V	366-1257-88	.068	U	CR	1
2 V	366-1489-05	.068	U	CS	2
2.25	366-1557-62	.474		CR	2
20	366-1402-46	.474		CR	1
20 dB	366-1557-73	.474		CR	2
25	366-1402-99			OB	2
25%	366-1557-79	2.535		CR	2
250	366-1489-25			OB	2
3	366-1257-82	.068		CS	1
3	366-1489-09	.068		CR	2
3.58	366-1557-52	.474		CR	2
300 μS	366-1402-52	.068	U	CR	2
4	366-1257-83	.068		CS	1
4	366-1489-10	.068		CR	2
4	366-1557-00	.252		CR	2
4.18	366-1557-51	.474		CR	2
4.43	366-1557-63	.474		CR	2

Nomenclature	Part Number	Codes ^a			Figure
		Cost	ND	ST	
4.75	366-1557-50	.474		CR	2
40	366-1402-47	.068		CR	1
5.00	366-1557-64	.474		CR	2
5	366-1489-11	.068		CR	2
5.50	366-1557-65	.474		CR	2
5.75	366-1557-66	.474		CR	2
5 kHz FREQ COMB	366-1489-81	.068		CS	1
5 nS	366-1489-33	.068		CS	1
50	366-1557-57			OB	2
50	366-1489-00	1.535		CR	2
50 mV EXT	366-1257-56	.068		CS	1
50 mV/DIV	366-1557-06	.068		CS	1
6	366-1489-12	.068		CR	2
6.25	366-1557-67	.474		CR	2
7	366-1489-13	.068		CR	2
8	366-1489-14	.068		CR	2
9	366-1489-15	.068		CR	2
+	366-1257-79	.068		CS	1
+	366-1402-26	.068		CS	2
+ PULSE	366-1489-56	.068		CS	1
+ SLOPE	366-1257-28	.182	U	CR	1
+/-	366-1257-90	.195	U	CR	2
0 - 10 V	366-1257-78	.068		CS	1
+100	366-1489-31	.252		CR	2
- (Vertical Delay)	366-1489-50	.068		CS	2
Ω	366-1402-88	.361		CR	2
(Horizontal Delay)	366-1489-51	.068		CS	2
□ (Underscore)	366-1489-44	.068		CS	2

^a The nominal price (at time of printing) is listed in the cost column. For ND (New Design Recommendations) and Status Codes, see tab marked CODES in the back of this catalog.

PUSHBUTTON (cont)



BLANKET PART NUMBER - 366-1328-00
 MATERIAL - ABS (255-0113-00)
 COLOR - NEW GEN GRAY

FIG 1

FIG 2

Nomenclature	Part Number	Codes ^a			Figure
		Cost	ND	ST	
A RESET	366-1328-16	.211	U	CR	1
A SINGL SWP	366-1328-19	.070	U	CR	1
AC COUPL	366-1328-17	.293	U	CR	1
AFC	366-1328-36	.194		CR	2
BACK PORCH	366-1328-35	.223		CR	2
CH 1	366-1328-39	.070		CS	1
EXT	366-1328-21	.070	U	CR	1
INT	366-1328-33	.207		CR	2
LEFT COMP	366-1328-15	.211	U	CR	1
LINE	366-1328-18	.211	U	CR	1

Nomenclature	Part Number	Codes ^a			Figure
		Cost	ND	ST	
NORM	366-1328-25	.174	U	CR	2
OFF	366-1328-29	.206		CR	2
OPERATE	366-1328-34	.208		CR	2
OSITE RIGHT	366-1328-20	.070	U	CR	1
REP	366-1328-23	.211	U	CR	2
SLOW	366-1328-30	.211	U	OT	2
TRIG AFTER DLY	366-1328-26	.431	U	CR	1
ZERO	366-1328-24	.070	U	CR	2
1	366-1328-31	.174		CR	2
1.00	366-1557-42	.070		CR	2
3	366-1328-32	.211		CR	2
+ SLOPE	366-1328-22	.211	U	CR	1

MATERIAL - ABS
 (255-0220-00)
 COLOR - YELLOW
 BLANKET PART NUMBER -
 366-1454-00

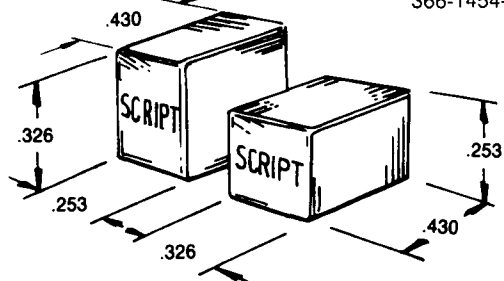


FIGURE 1

FIGURE 2

MATERIAL - ABS
 (255-0009-00)
 COLOR - BLACK
 BLANKET PART NUMBER -
 366-1480-00

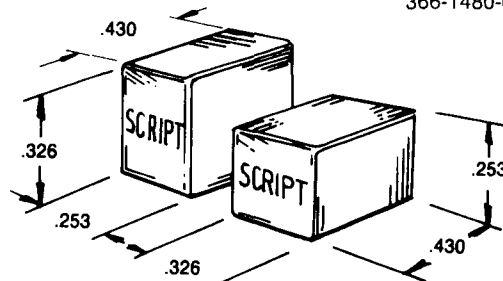


FIGURE 1

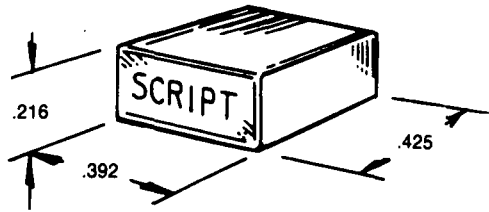
FIGURE 2

Nomenclature	Part Number	Codes ^a			Figure
		Cost	ST	Figure	
NTSC TEST	366-1454-01	9.244	CR	2	

Nomenclature	Part Number	Codes ^a			Figure
		Cost	ND	ST	
POWER OFF	366-1480-02	.370	U	CR	2
OFF	366-1480-03	.214		CR	1

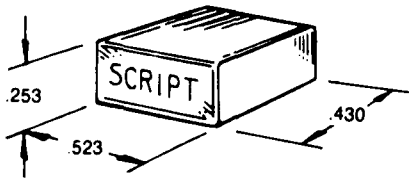
^a The nominal price (at time of printing) is listed in the cost column. For ND (New Design Recommendations) and Status Codes, see tab marked CODES in the back of this catalog.

PUSHBUTTON (cont)



BLANKET PART NUMBER - 366-1351-00
 MATERIAL - ABS
 COLOR - SILVER GRAY

Nomenclature	Part Number	Codes ^a		Nomenclature	Part Number	Codes ^a	
		Cost	ST			Cost	ST
A	366-1351-08	.107	CS	CH 1	366-1351-12	.107	CS
ADD	366-1351-14	.107	CS	CH 2	366-1351-04	.107	CS
ALT	366-1351-05	.107	CS	FREQ	366-1351-02	.107	CS
AB	366-1351-15	.107	CS	INTEN	366-1351-06	.107	CS
BEAM FINDER	366-1351-03	.107	CS	NORM	366-1351-11	1.480	CS
BW LIMIT	366-1351-01	.107	CS	X-Y	366-1351-09	.107	CS
CHOP	366-1351-13	.107	CS	NONE	366-1351-16	.109	CS

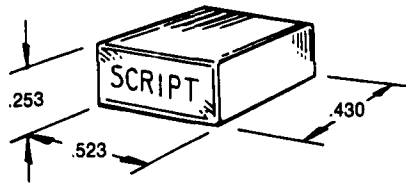


BLANKET PART NUMBER - 366-0655-00
 MATERIAL - ABS (255-0644-06)
 COLOR - DOVE GRAY

Nomenclature	Part Number	Codes ^a	
		Cost	ST
VIEW INPUT	366-0655-01	.883	CR
VIEW STORE	366-0655-02	.883	CR
VIEW DIFF.	366-0655-03	.883	CR
STORE	366-0655-04	.883	CR
MENU	366-0655-05	.883	CR

^a The nominal price (at time of printing) is listed in the cost column. For Status Codes, see tab marked CODES in the back of this catalog.

PUSHBUTTON (cont)

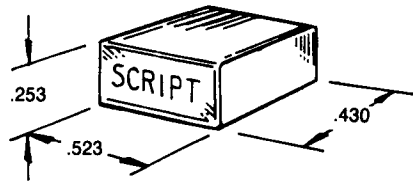


BLANKET PART NO. - 366-1161-00
 MATERIAL - ABS (255-0376-00)
 COLOR - SILVER GRAY

Nomenclature	Part Number	Codes ^a			Other Information	Nomenclature	Part Number	Codes ^a			Other Information
		Cost	ND	ST				Cost	ND	ST	
A	366-1161-55	.282	U	CR	Rotated	OPPOSE	366-1161-07	.100		CS	Smoke Tan (255-0644-01)
ACCEPT	366-1161-35			OB		PERF ONLY	366-1161-48			OB	
ADD	366-1161-27	.241	U	CR		PROGRAM	366-1161-34			OB	
ADVANCE	366-1161-40			PP		REDUCED SCAN	366-1164-64	.100		CS	
AID	366-1161-04	.100		CS		REJECT	366-1161-36			OB	
ALL	366-1161-32			OB		RESET	366-1161-41			PP	
ALT	366-1161-31	.240	U	CR		RESUME	366-1161-44			PP	
AUTO ERASE	366-1161-26			OB		RETEST	366-1161-38			OB	
B	266-1161-56	.257	U	CR		RIGHT	366-1161-58	.267	U	CR	
BISTABLE	366-1161-62	.100		CS		SAVE	366-1161-63	.100		CS	
CAL	366-1161-02	.100		CS		SINGLE	366-1161-06	.100		CS	
CHOP	366-1161-30	.241	U	CR		START	366-1161-47			OB	
CH 1	366-1161-29	.100		CS		STOP	366-1161-39			OB	
CH 2	366-1161-28	.100		CS		STOP	366-1161-46			OB	
CORRECTED	366-1161-59			OB		STORE	366-1161-23			OB	
DRIVE	366-1161-50			OB		UNCORRECTED	366-1161-60			OB	
ENHANCE	366-1161-24			OB		VAR PERSIST	366-1161-61	.100		CS	
ERASE	366-1161-25			OB		ZERO	366-1161-03	.100		CS	
FEED	366-1161-49			OB		100	366-1161-54			OB	
GOOD	366-1161-33			OB		2 X	366-1161-01	.100		CS	
LEFT	366-1161-57	.278	U	CR		25	366-1161-52			OB	
LOAD	366-1161-51			OB		300 μ S	366-1161-05	.100		CS	
NON-STORE	366-1161-65	.100		CS		50	366-1161-53			OB	
NORM	366-1161-09	.100		CS		.5 X	366-1161-10	.100		CS	
OFF	366-1161-45			OB		80 μ S	366-1161-08	.100		CS	
OFF	366-1161-37			OB		15 MIN	366-1161-66			OB	
ON	366-1161-43			PP			366-1161-67	.129		CS	
ONE 241	366-1161-42			PP							

^a The nominal price (at time of printing) is listed in the cost column. For ND (New Design Recommendations) and Status Codes, see tab marked CODES in the back of this catalog.

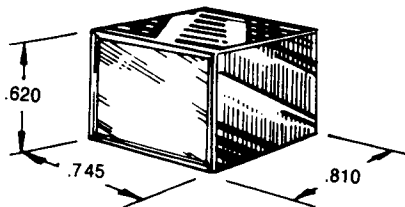
PUSHBUTTON (cont)



BLANKET PART NO. - 366-1162-00
 MATERIAL - ABS (255-0113-00)
 COLOR - GRAY

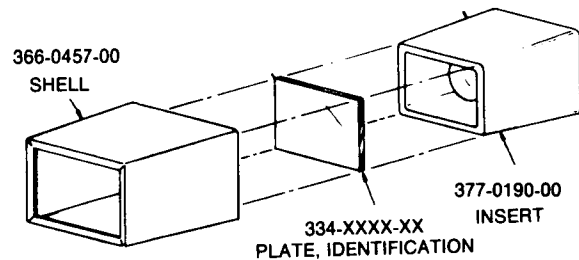
Nomenclature	Part Number	Codes ^a	
		Cost	ST
REP	366-1162-03	.110	CS
STEPS	366-1162-01	.101	CS
ZERO	366-1162-02	.101	CS
1 mS	366-1162-16		OB
1 S	366-1162-22		OB
1 μS	366-1162-10		OB
10 mS	366-1162-18		OB
10 nS	366-1162-06		OB
10 μS	366-1162-12		OB
2 nS	366-1162-05		OB
5 mS	366-1162-17		OB
5 nS	366-1162-04		OB

Nomenclature	Part Number	Codes ^a	
		Cost	ST
5 S	366-1162-23		OB
5 μS	366-1162-11		OB
50 mS	366-1162-19		OB
50 nS	366-1162-07		OB
50 μS	366-1162-13		OB
.1 mS	366-1162-14		OB
.1 S	366-1162-20		OB
.1 μS	366-1162-08		OB
.5 mS	366-1162-15		OB
.5 S	366-1162-21		OB
.5 μS	366-1162-09		OB



ASSEMBLY

Nomenclature	Part Number	Codes ^a	
		Cost	ST
A CAL	366-0461-00	4.369	OT
A φ	366-0467-00	4.285	OT
Aφ/Bφ ALT	366-0468-00	4.285	OT
B	366-0477-00	4.285	OT
B CAL	366-0462-00	4.365	OT
Bφ	366-0466-00	4.285	OT
CH A	366-0479-00	4.285	OT
CH B	366-0478-00	4.361	OT
DIFF GAIN	366-0464-00	4.286	OT
DIFF PHASE	366-0465-00	4.285	OT
ITS FIELD 1, 3	366-1452-00	4.362	OT
FULL FIELD	366-0472-00	4.368	OT
G	366-0475-00	4.285	OT
ITS FIELD 2, 4	366-1453-00	4.219	OT
I	366-0476-00	4.376	OT

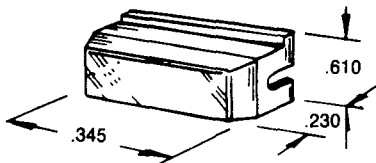


PLATE, IDENTIFICATION

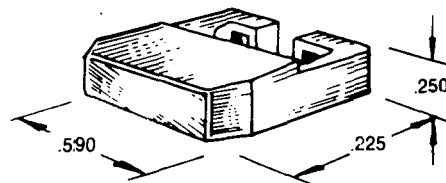
Nomenclature	Part Number	Codes ^a	
		Cost	ST
LINE SWEEP	366-0471-00	4.376	OT
Q	366-0463-00	4.365	OT
R	366-0473-00	4.404	OT
U	366-1017-00	4.480	OT
V	366-1016-00	4.473	OT
VECTOR	366-0480-00	4.285	OT
VECTOR NTSC	366-1019-00	4.480	OT
VECTOR PAL	366-1018-00	4.447	OT
VITS FIELD 1	366-1446-00	4.309	OT
VITS FIELD 2	366-1447-00	4.362	OT
VITS 19	366-0469-00		OB
VITS 18	366-0470-00		OB
VITS II	366-1014-00		OB
VITS I	366-1015-00		OB
Y	366-0474-00	4.285	OT

^a The nominal price (at time of printing) is listed in the cost column. For Status Codes, see tab marked CODES in the back of this catalog.

PUSHBUTTON (cont)

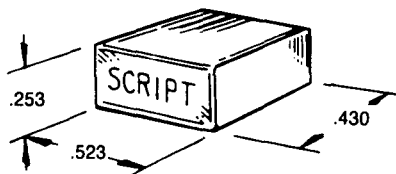


BLANKET PART NO. - 366-0342-00
 MATERIAL - POLYCARBONATE
 (255-0327-00)
 COLOR - TRANSLUCENT WHITE



BLANKET PART NO. - 366-1109-00
 MATERIAL: POLYCARBONATE
 (255-0327-00)
 COLOR: TRANSLUCENT WHITE

Nomenclature	Part Number	Codes ^a			Other
		Cost	ND	ST	
WARNING	366-1259-05	2.205	U	CR	Red Letters
X 10 STEP	366-1259-04	2.205	U	CR	
X 10 VERT	366-1259-03	.733	U	CR	
10	366-1259-00	2.281	U	CR	
100	366-1259-01	.733	U	CR	
1000	366-1259-02	.733	U	CR	



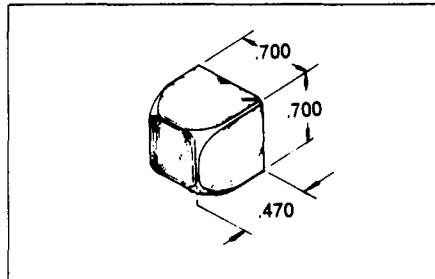
BLANKET PART NO. - 366-1160-00
 MATERIAL - ABS (255-0081-00)
 COLOR - CHARCOAL GRAY

Nomenclature	Part Number	Codes ^a		Other
		Cost	ST	
INVERT	366-1160-22	.105	CS	
.1 X	366-1160-21	.105	CS	

Nomenclature	Part Number	Codes ^a			Other
		Cost	ND	ST	
A	366-1109-06	.608	U	CR	
ADD	366-1109-03	.608	U	CR	
ADD	366-1109-10			OB	Inverted
ALT	366-1109-02	.570	U	CR	
ALT	366-1109-12			OB	Inverted
B	366-1109-07	.547	U	CR	
CHOP	366-1109-04	.568	U	CR	
CHOP	366-1109-11			OB	Inverted
DIGITAL	366-1109-19	.272	U	CS	
ERASE	366-1109-22	.272	U	CS	
LEFT	366-1109-01	.625	U	CR	
LEFT	366-1109-08			OB	Inverted
NON STORE	366-1109-20	.608	U	CS	
RIGHT	366-1109-05	.272	U	CR	
RIGHT	336-1109-09			OB	Inverted
STORE	366-1109-21	.313		CS	

^a The nominal price (at time of printing) is listed in the cost column. For ND (New Design Recommendations) and Status Codes, see tab marked CODES in the back of this catalog.

PUSHBUTTON (cont)



BLANKET PART NUMBER 366-1496-XX
MATERIAL - ABS
COLOR - LIGHT GRAY

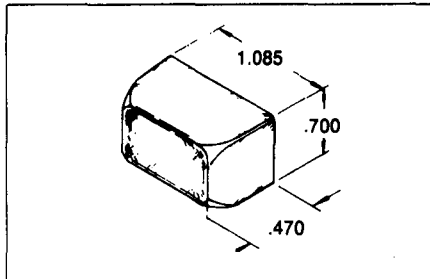
Nomenclature	Part Number	Codes ^a	
		Cost	ST
0	366-1496-00	.120	LS
1	366-1496-01	.120	LS
2	366-1496-02	.120	LS
3	366-1496-03	.120	LS
4	366-1496-04	.120	LS
5	366-1496-05	.120	LS
6	366-1496-06	.120	LS
7	366-1496-07	.120	LS
8	366-1496-08	.120	LS
X 10°	366-1496-09	.120	LS
+ -	366-1496-10	.120	LS
. (DOT)	366-1496-11	.120	LS
R □□	366-1496-12	.120	LS
R □□□	366-1496-13	.120	LS
GO TO □□□□	366-1496-14	.120	LS
ADDRS	366-1496-15	.120	LS
FROM TAPE □	366-1496-16	.120	LS
TO TAPE □	366-1496-17	.120	LS
PRINT DSPLY	366-1496-18	.120	LS

BLANKET PART NUMBER 366-1498-XX
MATERIAL - ABS
COLOR - DARK GRAY

Nomenclature	Part Number	Codes ^a	
		Cost	ST
STOP	366-1498-00	.180	LS
START	366-1498-01	.120	LS
RESET	366-1498-02	.120	LS
(366-1498-03	.150	LS
K	366-1498-04	.120	LS
□			

BLANKET PART NUMBER 366-1499-XX
MATERIAL - ABS
COLOR - RED

Nomenclature	Part Number	Codes ^a	
		Cost	ST
CLEAR	366-1499-00	.150	LS

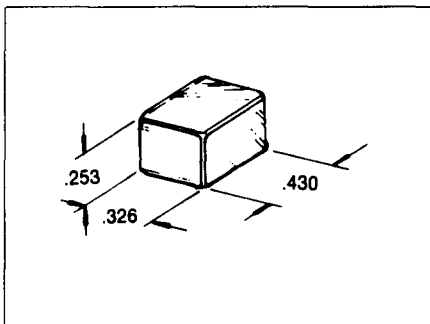


BLANKET PART NUMBER 366-1497-XX
MATERIAL - ABS
COLOR - LIGHT GRAY

Nomenclature	Part Number	Codes ^a	
		Cost	ST
+	366-1497-00	.450	LS
-	366-1497-01	.450	LS
X	366-1497-02	.450	LS
+	366-1497-03	.100	LS
CLEAR DSPLY	366-1497-04	.450	LS
CONT	366-1497-05	.450	LS

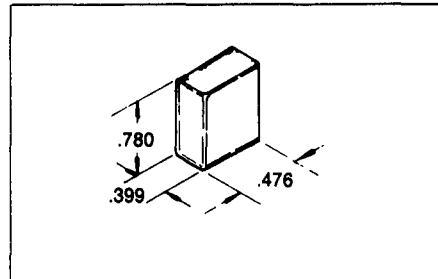
BLANKET PART NUMBER 366-1500-XX
MATERIAL - ABS
COLOR - DARK GRAY

Nomenclature	Part Number	Codes ^a	
		Cost	ST
=	366-1500-00	.450	LS



BLANKET PART NUMBER 366-1620-XX
MATERIAL - ABS
COLOR - DARK GRAY

Nomenclature	Part Number	Codes ^a	
		Cost	ST
FOAM POLY	366-1620-09	1.800	CR
NOISE FILTER	366-1620-02	.719	CR
NOTHER	366-1620-08	.719	CR
SOLID PTFR	366-1620-10	.719	CR
SOLID POLY	366-1620-11	.571	CR
10	366-1620-03	.684	CR
100	366-1620-04	.675	CR
1000	366-1620-05	.675	CR
50 Ω	366-1620-06	.719	CR
75 Ω	366-1620-07	.719	CR

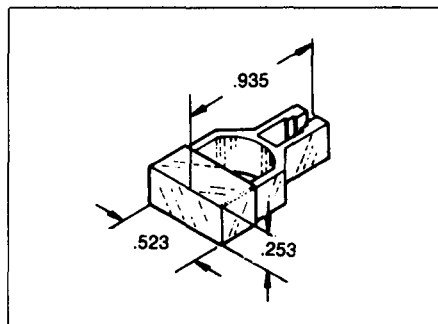


BLANKET PART NUMBER 366-1415-XX
MATERIAL - ABS
COLOR - RED

Nomenclature	Part Number	Codes ^a	
		Cost	ST
BINARY	366-1415-01	.117	CS
ON LINE	366-1415-02	.117	CS

BLANKET PART NUMBER 366-1416-XX
MATERIAL - ABS
COLOR - LIGHT GRAY

Nomenclature	Part Number	Codes ^a	
		Cost	ST
FORWARD	366-1416-01	.117	CS
RUN	366-1416-02	.117	CS
STOP	366-1416-03	.117	CS
WRITE	366-1416-04	.117	CS
REVERSE	366-1416-05	.117	CS
LISTEN	366-1416-07	.117	CS
TALK	366-1416-08	.117	CS
REWIND	366-1416-09	.117	CS

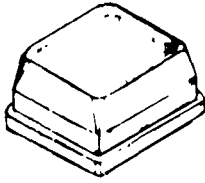


BLANKET PART NUMBER 366-1765-XX
MATERIAL - POLYCARBONATE (255-0327-00)
COLOR - WHITE

Nomenclature	Part Number	Codes ^a		
		Cost	ND	ST
ALT	366-1765-01	.968	U	CR
ADD	366-1765-02	1.002	U	CR
CHOP	366-1765-03	.930	U	CR
RIGHT	366-1765-04	.930	U	CR
LEFT	366-1765-05	.930	U	CR
A	366-1765-06	.930	U	CR
B	366-1765-07	.930	U	CR

^a The nominal price (at time of printing) is listed in the cost column. For ND (New Design Recommendations) and Status Codes, see tab marked CODES in the back of this catalog.

PUSHBUTTON (cont)

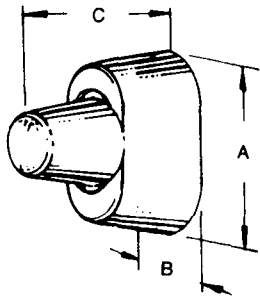


BLANKET PART NUMBER 366-0631-00
 MATERIAL - ABS (255-0376-00)
 COLOR - MEDIUM GRAY

Nomenclature	Part Number	Codes ^a	
		Cost	ST
1	366-0631-01	.090	CR
2	366-0631-02	.090	CR
3	366-0631-03	.090	CR
4	366-0631-04	.090	CR
5	366-0631-05	.090	CR
6	366-0631-06	.090	CR
7	366-0631-07	.090	CR
8	366-0631-08	.090	CR
9	366-0631-09	.090	CR
0	366-0631-10	.090	CR
•	366-0631-11	.090	CR
BACK SPACE	366-0631-12	.090	CR

^a The nominal price (at time of printing) is listed in the cost column. For Status Codes, see tab marked CODES in the back of this catalog.

PUSHBUTTON (cont)

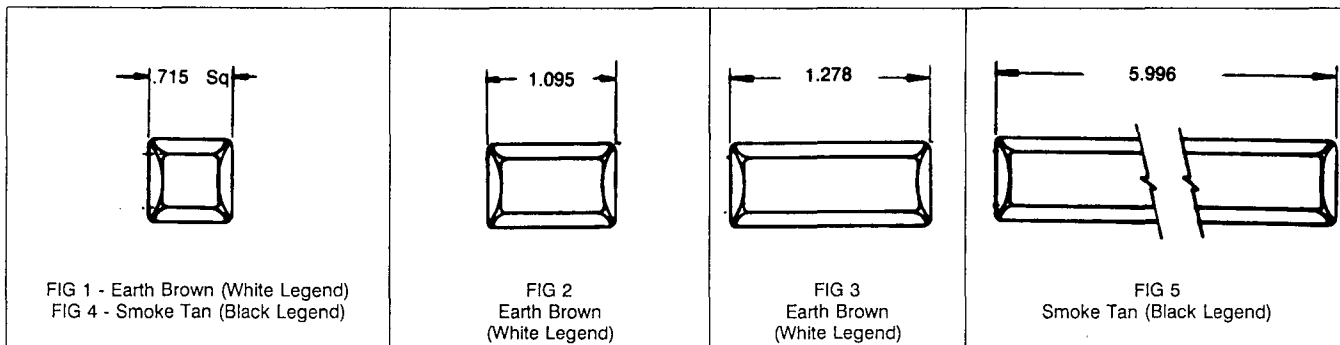


MATERIAL - DELRIN
(254-0998-00)

A	B	C	Part Number	Codes ^a		Material	Color
				Cost	ST		
.250	.160	.453	366-0483-00		OB	Delrin	Natural
.250	.160	.344	366-0271-00		OB	Delrin	Natural

^a The nominal price (at time of printing) is listed in the cost column. For Status Codes, see tab marked CODES in the back of this catalog.

PUSHBUTTON (cont)



(366-2144-00 SET OF ALL THESE NUMBERS)

Nomenclature	Part Number	Codes ^a		Fig	Other Information	Nomenclature	Part Number	Codes ^a		Fig	Other Information
		Cost	ST					Cost	ST		
BACK SPACE	366-2144-30	.700	LS	2		6	366-2144-65	.180	LS	4	
CAPS/LOCK	366-2144-46	.180	LS	1		7	366-2144-59	.180	LS	4	
CTRL	366-2144-33	.180	LS			8	366-2144-60	.180	LS	4	
EOF/BREAK	366-2144-58	.180	LS	1		9	366-2144-61	.180	LS	4	
ESCAPE	366-2144-17	.180	LS	2		0	366-2144-71	.180	LS	4	
LINE FEED	366-2144-31	.180	LS	1		! (Exclamation Point over One)	366-2144-03	.180	LS	4	
PAGE RETURN	366-2144-01	.180	LS	1		@ (AT over 2 TWO)	366-2144-04	.180	LS	4	
RUBOUT	366-2144-45	.700	LS	3		# (Pound over 3 Three)	366-2144-05	.180	LS	4	
SHIFT	366-2144-16	.180	LS	1		\$ (Dollar over 4 Four)	366-2144-06	.180	LS	4	
	366-2144-47	.180	LS	2		% (Percent over 5 Five)	366-2144-07	.180	LS	4	
SPACE	366-2144-72	.180	LS	4		^ (Caret over 6 Six)	366-2144-08	.180	LS	4	
SPACE BAR (None)	366-2144-75	.180	LS			& (Ampersand over 7 over Seven)	366-2144-09	.180	LS	4	
TAB	366-2144-32	.700	LS	2		* (Asterisk over 8 Eight)	366-2144-10	.180	LS	4	
A	366-2144-34	.180	LS	4		((Left Parenthesis over 9 over Nine)	366-2144-11	.180	LS	4	
B	366-2144-52	.180	LS	4) (Right Parenthesis over Zero)	366-2144-12	.180	LS	4	
C	366-2144-50	.180	LS	4		. (Period)	366-2144-73	.180	LS	4	
D	366-2144-36	.180	LS	4		/ (Slash)	366-2144-62	.180	LS	1	
E	366-2144-21	.180	LS	4		- (Hyphen)	366-2144-70	.180	LS	1	
F	366-2144-37	.180	LS	4		+ (Plus)	366-2144-74	.180	LS		
G	366-2144-38	.180	LS	4		? (Question Mark / Over Slash)	366-2144-57	.180	LS	4	
H	366-2144-39	.180	LS	4		:	366-2144-43	.180	LS	4	
I	366-2144-26	.180	LS	4		;					
J	366-2144-40	.180	LS	4		~ (Grave over \ Backslash)	366-2144-29	.180	LS	4	
K	366-2144-41	.180	LS	4							
L	366-2144-42	.180	LS	4							
M	366-2144-54	.180	LS	4							
N	366-2144-53	.180	LS	4							
O	366-2144-27	.180	LS	4							
P	366-2144-28	.180	LS	4							
Q	366-2144-19	.180	LS	4							
R	366-2144-22	.180	LS	4							
S	366-2144-35	.180	LS	4							
T	366-2144-23	.180	LS	4							
U	366-2144-25	.180	LS	4							
V	366-2144-51	.180	LS	4							
W	366-2144-20	.180	LS	4							
X	366-2144-49	.180	LS	4							
Y	366-2144-24	.180	LS	4							
Z	366-2144-48	.180	LS	4							
1	366-2144-67	.180	LS	4							
2	366-2144-68	.180	LS	4							
3	366-2144-69	.180	LS	4							
4	366-2144-63	.180	LS	4							
5	366-2144-64	.180	LS	4							

^a The nominal price (at time of printing) is listed in the cost column. For Status Codes, see tab marked CODES in the back of this catalog.

PUSHBUTTON (cont)

(366-2144-00 SET OF ALL THESE NUMBERS)

Nomenclature	Part Number	Codes ^a		Fig	Other Information
		Cost	ST		
+ (Plus over = Equal)	366-2144-14	.180	LS	4	
" (Double Quote over ' Single Quote)	366-2144-44	.180	LS	4	
< (Less than , over Comma)	366-2144-55	.180	LS	4	
> (Greater than . over Period)	366-2144-56	.180	LS	4	
} (Right Brace over) Right Bracket)	366-2144-15	.180	LS	4	
- (Underscore over - Hyphen)	366-2144-13	.180	LS	4	
~ Tilde over Vertical Bar)	366-2144-18	.180	LS	4	
* (Asterisk)	366-2144-66	.180	LS		
{ (Left Brace over [Left Bracket)	366-2144-02	.180	LS	4	

^a The nominal price (at time of printing) is listed in the cost column. For Status Codes, see tab marked CODES in the back of this catalog.

PUSHBUTTON (cont)

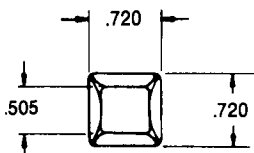


FIG 1 - Earth Brown (White Legend)
FIG 4 - Smoke Tan (Black Legend)

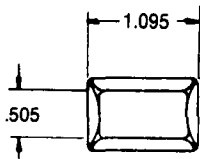


FIG 2
Earth Brown
(White Legend)

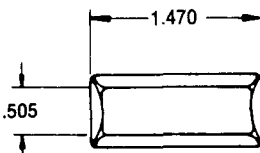


FIG 3
Earth Brown
(White Legend)

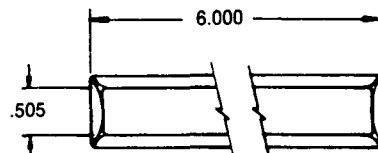


FIG 5
Smoke Tan (Black Legend)

Nomenclature	Part Number	Codes ^a		Fig	Other Information	Nomenclature	Part Number	Codes ^a		Fig	Other Information
		Cost	ST					Cost	ST		
BK SPC (Back Space)	366-1895-00	.180	CS	2	Relegendable	— (Underscore F over F)	366-1972-00	.180	CS	4	APL
BLANK	366-1882-00	.180	CS	1		∇ (Delta G over G)	366-1989-00	.180	CS	4	APL
BLANK	366-1884-00	.180	CS	1	w/LED	Δ (Delta H over H)	366-1988-00	.180	CS	4	APL
BLANK	366-1942-00	.220	CS	1		∫ (Iota I over I)	366-1993-00	.180	CS	4	APL
BLANK	366-1900-00	.180	CS	5	w/LED	• (Null J over J)	366-1987-00	.180	CS	4	APL Deep Dished
BREAK	366-1885-00	.180	CS	1		' (Single Quote K over K)	366-1986-00	.180	CS	4	APL
CAPS LOCK	366-1888-00	.180	CS	1	w/LED	□ (Quad L over L)	366-1985-00	.180	CS	4	APL
CTRL	366-1892-00	.180	CS	1		(Residue M over M)	366-1977-00	.180	CS	4	APL
ESC	366-1898-00	.360	CS	2	w/LED	T (Encode N over N)	366-1978-00	.180	CS	4	APL
LINE/FEED	366-1894-00	.180	CS	1		O / (Letter O with Slash)	366-2004-01	.180	CS	4	Norwegian/ Danish
PAGE	366-1883-00	.180	CS	1	w/LED	* (Asterisk P over P)	366-1973-00	.180	CS	4	APL
RETURN	366-1890-00	.360	CS	3		? (Question Mark Q over Q)	366-1999-00	.180	CS	4	APL
RUB OUT	366-1941-00	.180	CS	1	w/LED	ρ (RHO R over R)	366-2001-00	.180	CS	4	APL
SHIFT	366-1887-00	.360	CS	2		r (Ceiling S over S)	366-1991-00	.180	CS	4	APL
TAB	366-1893-00	.360	CS	2	w/LED	~ (Tilde T over T)	366-1996-00	.180	CS	4	APL
A	366-1922-00	.180	CS	4		↓ (Drop U over U)	366-1994-00	.180	CS	4	APL
B	366-1906-00	.180	CS	4	w/LED	∪ (Union V over V)	366-1980-00	.180	CS	4	APL
C	366-1904-00	.180	CS	4		ω (Omega W over W)	366-1998-00	.180	CS	4	APL
D	366-1914-00	.180	CS	4	w/LED	⊃ (Inclusion X over X)	366-1982-00	.180	CS	4	APL
E	366-1927-00	.180	CS	4		↑ (Take Y over Y)	366-1995-00	.180	CS	4	APL
F	366-1915-00	.180	CS	4	w/LED	⊂ (Imbed Z over Z)	366-1983-00	.180	CS	4	APL
G	366-1916-00	.180	CS	4		! (Exclamation Point 1 over One)	366-1939-00	.180	CS	4	APL
H	366-1917-00	.180	CS	4	w/LED	** (Diaeresis over One 1/1 with Exclamation Point)	366-1961-00	.180	CS	4	APL
I	366-1919-00	.180	CS	4		@ (AT over 2 Two)	366-1938-00	.180	CS	4	APL
J	366-1911-00	.180	CS	4	w/LED						
K	366-1912-00	.180	CS	4							
L	366-1913-00	.180	CS	4	w/LED						
M	366-1908-00	.180	CS	4							
N	366-1907-00	.180	CS	4	w/LED						
O	366-1920-00	.180	CS	4							
P	366-1921-00	.180	CS	4	w/LED						
Q	366-1929-00	.180	CS	4							
R	366-1926-00	.180	CS	4	w/LED						
S	366-1923-00	.180	CS	4							
T	366-1925-00	.180	CS	4	w/LED						
U	366-1918-00	.180	CS	4							
V	366-1905-00	.180	CS	4	w/LED						
W	366-1928-00	.180	CS	4							
X	366-1903-00	.180	CS	4	w/LED						
Y	366-1924-00	.180	CS	4							
Z	366-1901-00	.180	CS	4	w/LED						
◦ (Circle A over A)	366-1954-00	.180	CS	4							
¨ (Diaeresis A over A)	366-1955-00	.180	CS	4	Swedish						
α (Small Alpha A Over A)	366-1971-00	.180	CS	4	Swedish						
⌂ (Decode B over B)	366-1979-00	.180	CS	4	APL						
η (Intersection C over C)	366-1981-00	.180	CS	4	APL						
⌋ (Floor D over D)	366-1990-00	.180	CS	4	APL						
Σ (Epsilon E over E)	366-1997-00	.180	CS	4	APL						

^a The nominal price (at time of printing) is listed in the cost column. For Status Codes, see tab marked CODES in the back of this catalog.

PUSHBUTTON (cont)

Nomenclature	Part Number	Codes ^a		Fig	Other Information	Nomenclature	Part Number	Codes ^a		Fig	Other Information
		Cost	ST					Cost	ST		
" (Double Quote over Two)	366-2006-00	.180	CS	4	Swedish) (Right Parenthesis over Zero)	366-1931-00	.180	CS	4	
- (Underscore over Two @ Two w/AT)	366-1960-00	.180	CS	4	APL	.. (Diaeresis over Zero)	366-1956-00	.180	CS	4	Swedish
£ (United Kingdom Pound over Three)	366-1943-00	.180	CS	4		^ (Caret over Zero) with Right Parenthesis)	366-1967-00	.180	CS	4	APL
# (Pound over Three)	366-1937-00	.180	CS	4		* (Asterisk over @)	366-2005-00	.180	CS	4	Swedish
< (Less than over Three # Three w/Pound)	366-1962-00	.180	CS	4	APL	◇ [~] (Diamond over \$ Dollar with Tilde over Vertical Dash)	366-2007-00	.180	CS	4	APL
≤ (Equal to or less than over Four with Dollar)	366-1963-00	.180	CS	4	APL	← (Left Arrow over → \ Right Arrow with Grave over Back Slash)	366-2008-00	.180	CS	4	APL
\$ (Dollar over Four)	366-1936-00	.180	CS	4		} (Right Brace over { Left Brace with Right Brace over Right Bracket)	366-2009-00	.180	CS	4	
% (Percent over Five)	366-1889-00	.180	CS	4		┌- { (Left Tack over → [Right Tack with Left Brace over Left Bracket)	366-2010-00	.180	CS	4	APL
= (Equal over Five with Percent)	366-1964-00	.180	CS	4	APL	? (Question Mark over / over Slash)	366-1886-00	.180	CS	4	
≥ (Equal to or Greater than over Six with Caret)	366-1965-00	.180	CS	4	APL	:	366-1891-00	.180	CS	4	
& (Ampersand over Six)	366-1946-00	.180	CS	4	Swedish	;	366-1896-00	.180	CS	4	
^ (Caret over Six)	366-1935-00	.180	CS	4		` (Grave over \ Backslash)	366-1897-00	.180	CS	4	
& (Ampersand over Seven)	366-1934-00	.180	CS	4		~ (Tilde over Vertical Bar)	366-1899-00	.180	CS	4	
/ (Slash over Seven)	366-1947-00	.180	CS	4	Swedish	+ (Plus over = Equal)	366-1902-00	.180	CS	4	
> (Greater than over Seven with Ampersand)	366-1966-00	.180	CS	4	Swedish	" (Double Quote over ' Single Quote)	366-1909-00	.180	CS	4	
((Left Parenthesis over Eight)	366-1948-00	.180	CS	4	Swedish	< (Less than over , Comma)	366-1910-00	.180	CS	4	
* (Asterisk over Eight)	366-1933-00	.180	CS	4		> (Greater than over . over Period)	366-1930-00	.180	CS	4	
≠ (Not Equal over Eight * Eight with Asterisk)	366-1970-00	.180	CS	4	APL] (Right Brace over } Right Bracket)	366-1940-00	.180	CS	4	
((Left Parenthesis over Nine)	366-1932-00	.180	CS	4		[(Left Brace over { Left Bracket)	366-1944-00	.180	CS	4	
) (Right Parenthesis over Nine)	366-1949-00	.180	CS	4	Swedish	- (Underscore over - Hyphen)	366-1945-00	.180	CS	4	
√ (or over Nine with Left Parenthesis)	366-1968-00	.180	CS	4	APL	^ (Caret over ~ Tilde)	366-1951-00	.180	CS	4	Swedish
° (Circular over 0)	366-1992-00	.180	CS	4	APL	? (Question Mark over + over Plus)					
= (Equal over Zero)	366-1950-00	.180	CS	4	Swedish						

^a The nominal price (at time of printing) is listed in the cost column. For Status Codes, see tab marked CODES in the back of this catalog.

PUSHBUTTON (cont)

Nomenclature	Part Number	Codes ^a		Fig	Other Information
		Cost	ST		
\ (Back Slash over Slash)	366-1952-00	.180	CS	4	Swedish
> (Greater than over < less than)	366-1953-00	.180	CS	4	Swedish
; (Semicolon , over Comma)	366-1957-00	.180	CS	4	Swedish
: (Colon over . Period)	366-1958-00	.180	CS	4	Swedish
- (Underscore over - over Dash)	366-1959-00	.180	CS	4	APL
- - (Minus over Plus + - with Underscore over Dash)	366-1969-00	.180	CS	4	APL
; (Semicolon over / Comma with Less Than)	366-1975-00	.180	CS	4	APL
' (Grave over Slash /? w/Question Mark)	366-1976-00	.180	CS	4	APL
(: (Left Parenthesis [; over Left Bracket with Colon over Semicolon)	366-1984-00	.180	CS	4	APL
÷ + (Divide over x = Multiply with Plus over Equal)	366-2000-00	.180	CS	4	APL
) " (Right Parenthesis] ' over Right Bracket with Double Quote over Single Quote)	366-2002-00	.180	CS	4	APL
: (Colon over Period > with Greater Than)	366-2003-00	.180	CS	4	APL

^a The nominal price (at time of printing) is listed in the cost column. For Status Codes, see tab marked CODES in the back of this catalog.

PUSHBUTTON^a (cont)

Figure	Material	Color	A	B	C	Nomenclature	Part Number	Codes ^b		
								Cost	ND	ST
1	Acetal 255-0113-00	Medium Gray	.150	.091	.070		366-1194-00	.115		CR
2	ABS 255-0298-00	Silver Gray	.180	.180	.430		366-1559-00	.058		CR
2	Polycarbonate 255-0302-00	Gray	.180	.180	.430		366-1559-01	.056		CR
2	ABS 255-0081-00	Charcoal Gray	.180	.180	.430		366-1559-02	.085		CR
2	366-1559-00	Silver Gray	.180	.180	.430	Not On	366-1559-03	.166		CS
2	366-1559-00	Silver Gray	.180	.180	.430	Off	366-1559-04	.386		CR
2	Polycarbonate 255-0292-00	Charcoal Gray	.180	.180	.430		366-1559-05	.103		CR
2	366-1559-00	Silver Gray	.180	.180	.430	Off	366-1559-07	.166		CS
2	Polycarbonate 255-0298-00	Silver Gray	.180	.180	.830		366-1512-00	.171		CR
2	Polycarbonate 255-0612-03	Slate Gray	.180	.180	.830		366-1512-03	.118		CR
2	Polycarbonate 255-0612-03	Ivory Gray	.180	.180	.644		366-2017-00	.022		PP
2	Polycarbonate 255-0488-00	Ivory Gray	.180	.180	.830		366-1512-04	.111		CR
2	Polycarbonate 255-0652-00	Gray	.180	.180	.830		366-1512-05	.075		CS
2	Polycarbonate 255-0292-00	Charcoal Gray	.180	.180	.830		366-1512-01	.201		CR
2	Polycarbonate 255-0488-03	Slate Gray	.180	.180	.430		366-1559-08	.023		CR
2	Polycarbonate 255-0488-04	Ivory Gray	.180	.180	.430		366-1559-09 ^c	.086		CR
2	Polycarbonate 255-0652-00	Gray	.186	.186	.480		366-2013-00	.023		CR
2	Polycarbonate 255-0488-04	Ivory Gray	.186	.186	.480		366-2013-02	.070		CR
2	Polycarbonate	Ivory Gray	.186	.186	.480		366-0573-00	.057		CR
2	Polycarbonate	Ivory Gray	.206	.206	1.445		366-2036-00	.081	A	PP
2	ABS	Ivory Gray	.216	.386	.441		366-0666-00	.090		PP
2	ABS	Dove Gray	.216	.386	.441		366-0667-00	.100		PP
2	Polycarbonate	Ivory Gray	.290	.186	.430		366-0574-00	.186		CR
3	ABS 255-0376-00	Silver Gray	.300	.100	.300		366-1511-00	.144		CS
4	SST 255-0625-00		.156	.100			366-1363-00			OB
4	ABS 255-0302-00	Gray	.227	.300			366-1059-00	.074		CR
4	366-1059-00 w/Yellow Band	Gray	.227	.300			366-1059-01	1.960	U	CR
4	ABS 255-0113-00	Gray	.227	.300			366-1059-02	.186		CR
4	366-1059-02 w/Yellow Band	Gray	.227	.300			366-1059-03	1.938		CR
4	ABS 255-0644-06	Dove Gray	.227	.300			366-1059-04	.021		CR
4	ABS 255-0009-00	Black	.360		.625		366-1486-00	.526		CS
4	ABS 255-0081-00	Charcoal Gray	.375	.300			366-1541-00	.280		CS
4	ABS 255-0302-00	Gray	.404	.300			366-1820-00	.158		OT
4	ABS 255-0219-00	Red	.500	.260			366-0161-00			DL
4	ABS 255-0015-00	Gray	.500	.260			366-0161-01			DL
4	366-0161-00 w/Insert & Setscrew	Gray	.500	.260			366-0162-00	1.225		CS
4	366-0161-01 w/Insert & Setscrew	Gray	.500	.260		Release to + 1000	366-1382-00	3.759	U	CR
5	Acetal 255-0014-00	Gray	.290	.110	.325	GND REF	366-1623-00	.373		CR
6	Polypropylene 255-0223-00	Gray	.400		.465		366-0361-00			OB
7	Polycarbonate 255-0292-00	Gray	.450	.388	.690		366-1078-00	.128		CS
8	ABS 255-0376-00	Silver Gray	.715	.230	.410		366-1502-00			NP
8	ABS 255-0644-02	Earth Brown	.715	.230	.410		366-1502-01			NP
8	ABS 255-0376-00	Silver Gray	.715	.230	.410		366-1502-02	.024		CS
8	ABS 255-0644-02	Earth Brown	.715	.230	.410		366-1502-03	.029		CR
8	ABS 255-0312-00	Green	.715	.230	.410		366-1504-00			NP
8	ABS 255-0312-00	Green	.715	.230	.410		366-1504-01	.021		CS
8	ABS 255-0134-00	Blue	.715	.230	.410		366-1505-00			NP
8	ABS 255-0134-00	Blue	.715	.230	.410		366-1505-01	.022		CS
8	Polycarbonate 255-0565-01	TV Gray	.715	.230	.410		366-1671-00			NP
8	Polycarbonate 255-0565-01	TV Gray	.715	.230	.410		366-1671-01	.026		CS
8	ABS 255-0376-00	Silver Gray	.719	.344	.750	EJECT	366-1629-01	.628		CS
9	Polycarbonate 255-0339-00	Clear	.118	.184	.865		366-1650-00	.152	U	CR
10	Acetal Resin 255-0010-00	Black	.300	.200	.115		366-1529-00			OB

^a For Pushbutton Illustrations, see pullout in the back of this catalog.

^b The nominal price (at time of printing) is listed in the cost column. For ND (New Design Recommendations) and Status Codes, see tab marked CODES in the back of this catalog.

^c Safety controlled.

PUSHBUTTON^a (cont)

Figure	Material	Color	A	B	C	Nomenclature	Part Number	Codes ^b		
								Cost	ND	ST
10	Acetal Resin 255-0010-00	Black	.220	.220	.135		366-1529-01	.171		CR
11	Polycarbonate 255-0339-00	Clear	.350	.280	1.240		366-1756-00	.163		CS
12	ABS 255-0302-00	Gray	.275		.300		366-1282-01	.354		CS
12	ABS 255-0113-00	New Generation Gray	.375		.300		366-1431-00			DL
12	ABS 255-0113-00	New Generation Gray	.375		.300	Step x .100	366-1431-01	1.598	U	CR
13	ABS 255-0113-00	New Generation Gray	1.220	.550	.460		366-1155-00	.354		CR
14	ABS 255-0302-00	Gray	.437	.345			366-1121-00			DL
14	366-1121-00 w/Insert & Setscrew	Gray	.437	.345			366-1122-00	.978		CR
14	355-1121-00 w/Insert & Setscrew	Gray	.437	.345			366-1576-00	1.603		CR
15	ABS 255-0095-00	White	.700	.550			366-1263-00			OB
16	Polycarbonate 255-0504-00	Natural	.158	.102	.250		366-1692-00			NP
16	Polycarbonate 255-0504-00	Natural	.158	.106	.250		366-1692-01	.414		CR
17	Polycarbonate 255-0286-00	Gray	.193	.180	1.200		366-1691-00	.116		CR
17	Polycarbonate 255-0298-00	Silver Gray	.193	.180	1.200		366-1691-01	.045		CR
18	Polycarbonate 255-0270-00	Natural	.340	.322	.470		366-1552-00	.101		CR
18	Polycarbonate 255-0270-00	Natural	.340	.322	.540		366-1552-01	.214		CR
19	ABS 255-0009-00	Black	.791	.453	.200		366-1549-01			DL
20	Polycarbonate 255-0339-00	Clear	.155	.080	.558		366-1119-00			DL
21	ABS 255-0376-00	Silver Gray	.297	.188	.265		366-1731-00	.389		CR
21	ABS 255-0644-05	Ivory Gray	.297	.188	.265		366-1731-01	.244		CR
21	ABS 255-0302-00	Bray	.400	.225	.300		366-1760-00	.083		CS
21	Polycarbonate 255-0327-00	White	.400	.225	.300		366-1760-01	.095		CR
21	ABS 255-0683-00	Orange	.400	.225	.300		366-1760-02	.075		CS
21	ABS 255-0682-00	Blue	.400	.225	.300		366-1760-03	.075		CS
22	Silicone 252-0700-00		.230	.230	.280		366-1768-00	.340		CR
22	Polycarbonate 255-0565-02	Smoke Tan	.253	.326	.430		366-0554-00	.152		CR
22	Polycarbonate 255-0327-00	White	.253	.326	.430		366-1776-00	.041	U	CR
22	Phenolic	Red	.200	.155			366-1513-00	.040		CR
23	ABS 255-0302-00	Gray	.170	.170	.195		366-1798-00	.469		CR
23	ABS 255-0376-00	Silver Gray	.170	.170	.265		366-1730-00	.338		CR
23	ABS 255-0644-00	Blue	.170	.170	.265		366-1730-01	2.076		CR
23	ABS 255-0644-03	Slate Gray	.170	.170	.265		366-1730-02	.070		CR
23	ABS 255-0644-05	Ivory Gray	.170	.170	.265		366-1730-03	.200		CR
23	ABS 255-0302-00	Gray	.170	.170	.265		366-1730-04	.070		CR
24	Polycarbonate 255-0270-00	Natural	.350	.275	.455		366-1624-00	.081	U	CR
24	Polycarbonate 255-0270-00	Natural	.350	.275	.455		366-1624-01	.368		CR
25	Acetal Resin 255-0014-00	Gray	.275	.315			366-1771-00	.463		CR
26	Polycarbonate 255-0286-00	Gray	.518	.253	1.030		366-1777-00	.262	U	CR
26	366-1777-00 150-1070-00 (Red LED) 131-2438-01 Ass'y	Gray	.518	.253	1.030		366-1818-00	2.101		CR
27	Acetal 255-0010-00	Black	.255	.171			366-1873-00	.442		CR
28	ABS 255-0644-03	Slate Gray	.110	.470	.210		366-0557-00	.035		CR
28	ABS 255-0302-00	Medium Gray	.112	.450	.275		366-2147-05	.120		CR
28	ABS 255-0376-00	Silver Gray	.112	.275	.240		366-2147-02	.120		CR
28	ABS 255-0644-03	Slate Gray	.112	.470	.240		366-2045-00	.140	U	CR
28	ABS 255-0376-00	Silver Gray	.112	.470	.240		366-2045-01	.120		CR
28	ABS 255-0376-00	Gray	.112	.470	.240		366-2045-02			CR
29	ABS 255-0376-00	Silver Gray	.343 Sq	.297			366-1100-00	.797		CR
30	ABS	Ivory Gray	.168 Sq	.273	.665		366-1516-00	.189		CR
30	ABS	Legend Orange	.168 Sq	.273	.665		366-1516-01	.189		EN
31	ABS	Dove Gray	.300	.273	.836		366-1538-00	.184		CR
32	SST 251-0626-00	Silver Gray	.196	.312	.975		366-1817-00	6.464		CR

^a For Pushbutton Illustrations, see pullout in the back of this catalog.^b The nominal price (at time of printing) is listed in the cost column. For ND (New Design Recommendations) and Status Codes, see tab marked CODES in the back of this catalog.

PUSHBUTTON (cont)

FRAMES

Figure No	Outside		Front	Rear	Buttons			Molding Compound		Codes ^a		
	A	B	C	D	No.	E	F	Color	Part Number	Part Number	Cost	ST
1	.394	.327	.033	.087	1	.332	.259	Silver Gray	255-0285-00	426-0681-00	.025	CR
1	.394	.327	.033	.087	1	.332	.259	Gray	255-0227-00	426-0681-01	.028	CR
1	.462	.295	.033	.087	1	.400	.223	Silver Gray	255-0285-00	426-0785-00	.350	CR
1	.591	.327	.033	.087	1	.529	.259	Silver Gray	255-0285-00	426-0568-00	.052	CR
1	.591	.327	.033	.087	1	.529	.259	Gray	255-0227-00	426-0568-01		OB
2	.644	.332	.033	.087	2	.332	.259	Silver Gray	255-0285-00	426-0836-00	.293	CR
3	.230	.230	.025	.080	1	.186	.186	Silver Gray	255-0285-00	426-1072-00	.052	CR

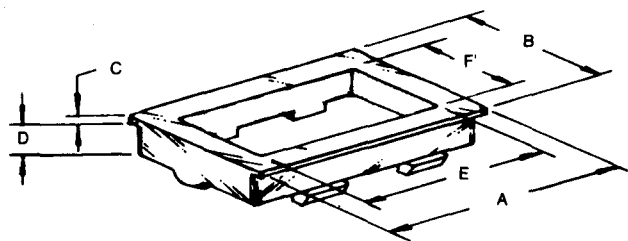


FIGURE 1

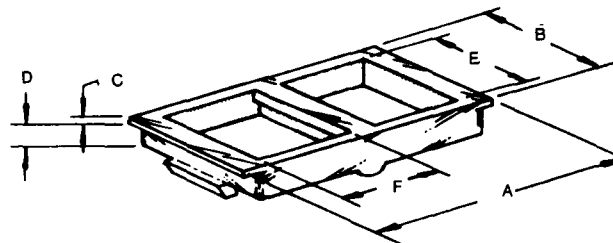


FIGURE 2

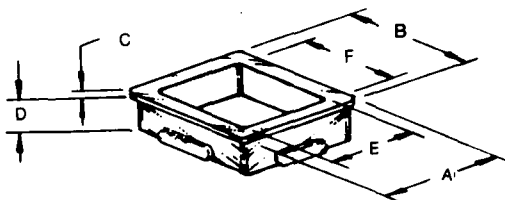
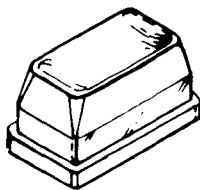


FIGURE 3

^a The nominal price (at time of printing) is listed in the cost column. For Status Codes, see tab marked CODES in the back of this catalog.

PUSHBUTTON (KEY CAPS)



The following colors are available or obtainable:

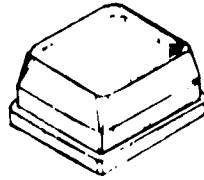
366-1770-XX Light Silver Gray	366-1785-XX Medium Gray	366-1784-XX TV Gray	366-2031-XX Slate Gray	366-2032-XX Ivory Gray	366-2029-XX Dove Gray	366-1791-XX Orange	366-1783-XX Blue
----------------------------------	----------------------------	------------------------	---------------------------	---------------------------	--------------------------	-----------------------	---------------------

A maximum of three letters or symbols is allowed for the key caps. Size of cap is 0.225" x 0.400", with .245 x .420 front panel cut out.

The list below shows the characters which have already been part numbered and are available from stock.

Silver Gray Base (with TV Gray Character) (366-1770-00)		Medium Gray Base (with Ch Gray Character) (366-1785-00)		TV Gray Base (with Silver Gray Character) (366-1784-00)		Dove Gray Base (with Black Character) (366-2029-00)		Ivory Gray Base (366-1770-00)	
Tek Part Number	Character	Tek Part Number	Character	Tek Part Number	Character	Tek Part Number	Character	Tek Part Number	Character
366-1770-02	1	366-1785-01	1	366-1784-01	1	366-2029-01	1	366-2032-01	1
366-1770-03	2	366-1785-02	2	366-1784-02	2	366-2029-02	2	366-2032-02	2
366-1770-04	3	366-1785-03	3	366-1784-03	3	366-2029-03	3	366-2032-03	3
366-1770-05	4	366-1785-04	4	366-1784-04	4	366-2029-04	4	366-2032-04	4
366-1770-06	5	366-1785-05	5	366-1784-05	5	366-2029-05	5	366-2032-05	5
366-1770-07	6	366-1785-06	6	366-1784-06	6	366-2029-06	6	366-2032-06	6
366-1770-08	7	366-1785-07	7	366-1784-07	7	366-2029-07	7	366-2032-07	7
366-1770-09	8	366-1785-08	8	366-1784-08	8	366-2029-08	8	366-2032-08	8
366-1770-10	9	366-1785-09	9	366-1784-09	9	366-2029-09	9	366-2032-09	9
366-1770-11	0	366-1785-10	10	366-1784-10	0	366-2029-10	10	366-2032-10	10
366-1770-12	A	366-1785-11	A	366-1784-11	R/X	366-2029-11	.	366-2032-11	A
366-1770-13	B	366-1785-12	B	366-1784-12	CHS	366-2029-12	-	366-2032-12	B
366-1770-14	C	366-1785-13	C	366-1784-13	EEX	366-2029-13	A	366-2032-13	C
366-1770-15	D	366-1785-14	D	366-1784-14	.	366-2029-14	B	366-2032-14	D
366-1770-16	E	366-1785-15	E	366-1784-15	+	366-2029-15	C	366-2032-15	E
366-1770-17	F	366-1785-16	F	366-1784-16	-	366-2029-16	D	366-2032-16	F
366-1770-18	X	366-1785-17	X	366-1784-17	*	366-2029-17	E	366-2032-17	X
366-1770-19	CE	366-1785-18	↑	366-1784-18	/	366-2029-18	F	366-2032-18	DIAMOND
		366-1785-19	→	366-1784-19	→	366-2029-19	X		
				366-1784-20	↑	366-2029-20	↑		
						366-2029-21	→		
						366-2029-22	φ		

PUSHBUTTON (KEYCAPS) (cont)



The following colors are available or obtainable:

366-2030-XX
Ivory Gray

366-2033-XX
Dove Gray

A maximum of two lines with a maximum of three to four letters or symbols is allowed for the key caps. Size of cap is 0.400 with .430 x .430 front panel cut out.

The list below shows the characters which have already been part numbered and are available from stock.

Ivory Gray Base (With Slate Gray Character) (366-2030-00)		
Tek Part Number	Character	Cost ^a
366-2030-01	1	.094
366-2030-02	2	.094
366-2030-03	3	.037
366-2030-04	4	.037
366-2030-05	5	.037
366-2030-06	6	.037
366-2030-07	7	.037
366-2030-08	8	.037
366-2030-09	9	.037
366-2030-10	0	.037
366-2030-11	A	.037
366-2030-12	B	.037
366-2030-13	C	.037
366-2030-14	D	.037
366-2030-15	E	.037
366-2030-16	F	.037
366-2030-17	NEXT	.037
366-2030-18	DEL LINE	.037
366-2030-19	ADD LINE	.037
366-2030-20	DONT CARE	.037
366-2030-21	DECR	.094
366-2030-22	INCR	.037
366-2030-23	→	.094

Dove Gray Base (With Black Character) (366-2033-00)		
Tek Part Number	Character	Cost ^a
366-2033-01	↑	.037
366-2033-02	Δ	.037
366-2033-03	NEXT	.037

^a The nominal price (at the time of printing) is listed in the cost column.

CROSS REFERENCE INDEX

Part Number	Page Number	Part Number	Page Number
200-0839-00	7-12	331-0139-00	7-19
200-0839-01	7-12	331-0152-00	7-19
200-0839-08	7-12	331-0153-00	7-19
200-0840-00	7-12	331-0168-01	7-19
200-0840-04	7-12	331-0175-00	7-19
200-0841-02	7-12	331-0195-00	7-19
200-0841-03	7-12	331-0231-01	7-19
200-0841-04	7-12	331-0247-00	7-19
200-0842-00	7-12	331-0291-00	7-19
200-0843-00	7-12	331-0310-00	7-19
200-0843-01	7-12	331-0328-00	7-19
200-0844-00	7-12	331-0360-00	7-19
200-0844-01	7-12	331-0361-01	7-19
200-0845-00	7-12	331-0373-00	7-19
200-0846-00	7-12		
200-0847-00	7-12		
200-0848-00	7-12		
200-0849-00	7-12		
200-0862-00	7-12		
200-0863-00	7-13		
200-0920-00	7-13		
200-0926-00	7-12		
200-0926-02	7-12		
200-0933-00	7-13		
200-0934-00	7-12		
200-1011-00	7-13		
200-1011-01	7-13		
200-1011-03	7-13		
200-1026-00	7-12		
200-1088-00	7-12		
200-1088-01	7-12		
200-1101-00	7-13		
200-1133-00	7-12		
200-1134-00	7-12		
200-1135-00	7-12		
200-1178-00	7-13		
200-1807-00	7-12		
200-1807-01	7-13		
200-1807-02	7-13		
200-2295-00	7-13		
200-2372-00	7-13		
200-2598-01	7-12		

CROSS REFERENCE INDEX (cont)

Part Number	Page Number	Part Number	Page Number	Part Number	Page Number	Part Number	Page Number
366-0053-00	7-15	366-0396-00	7-15	366-0555-00	7-4	366-1024-02	7-3
366-0138-00	7-3	366-0399-00	7-14	366-0557-XX	7-39	366-1025-01	7-3
366-0152-00	7-15	366-0399-01	7-14	366-0573-00	7-38	366-1026-00	7-4
366-0161-00	7-38	366-0401-00	7-14	366-0574-00	7-38	366-1027-00	7-4
366-0161-01	7-38	366-0401-01	7-14	366-0575-00	7-11	366-1028-00	7-4
366-0162-00	7-38	366-0402-00	7-5	366-0576-00	7-11	366-1029-00	7-4
366-0171-00	7-14	366-0402-03	7-5	366-0583-00	7-5	366-1030-00	7-4
366-0174-00	7-14	366-0406-00	7-4	366-0586-01	7-11	366-1031-00	7-6
366-0188-00	7-15	366-0416-00	7-14	366-0599-00	7-11	366-1031-02	7-6
366-0189-00	7-7	366-0421-00	7-15	366-0601-00	7-11	366-1031-03	7-6
366-0193-00	7-9	366-0426-05	7-9	366-0631-00	7-31	366-1031-04	7-6
366-0202-00	7-15	366-0427-00	7-9	366-0631-01	7-31	366-1031-05	7-6
366-0203-00	7-7	366-0429-00	7-8	366-0631-02	7-31	366-1031-06	7-6
366-0209-00	7-15	366-0431-01	7-5	366-0631-03	7-31	366-1031-08	7-6
366-0214-01	7-15	366-0452-00	7-14	366-0631-04	7-31	366-1031-09	7-6
366-0214-03	7-15	366-0453-00	7-15	366-0631-05	7-31	366-1031-10	7-6
366-0214-05	7-15	366-0455-00	7-9	366-0631-06	7-31	366-1033-00	7-9
366-0215-01	7-10	366-0461-00	7-28	366-0631-07	7-31	366-1035-00	7-5
366-0215-02	7-10	366-0462-00	7-28	366-0631-08	7-31	366-1035-01	7-5
366-0215-05	7-10	366-0463-00	7-28	366-0631-09	7-31	366-1035-02	7-5
366-0219-00	7-14	366-0464-00	7-28	366-0631-10	7-31	366-1036-00	7-14
366-0220-00	7-3	366-0465-00	7-28	366-0631-11	7-31	366-1036-01	7-4
366-0236-00	7-7	366-0466-00	7-28	366-0631-12	7-31	366-1036-02	7-14
366-0263-00	7-15	366-0467-00	7-28	366-0632-00	7-7	366-1036-03	7-14
366-0271-00	7-32	366-0468-00	7-28	366-0633-00	7-9	366-1037-00	7-4
366-0319-00	7-7	366-0469-00	7-28	366-0649-00	7-6	366-1038-00	7-5
366-0321-00	7-14	366-0470-00	7-28	366-0650-00	7-11	366-1039-00	7-3
366-0322-00	7-4	366-0471-00	7-28	366-0654-00	7-11	366-1054-00	7-4
366-0322-01	7-4	366-0472-00	7-28	366-0665-00	7-26	366-1057-00	7-4
366-0342-00	7-29	366-0473-00	7-28	366-0665-01	7-26	366-1057-01	7-4
366-0344-00	7-10	366-0474-00	7-28	366-0665-02	7-26	366-1057-02	7-4
366-0346-00	7-15	366-0475-00	7-28	366-0665-03	7-26	366-1059-00	7-38
366-0361-00	7-38	366-0476-00	7-28	366-0665-04	7-26	366-1059-01	7-38
366-0365-00	7-10	366-0477-00	7-28	366-0665-05	7-26	366-1059-02	7-38
366-0373-00	7-9	366-0478-00	7-28	366-0666-00	7-38	366-1059-03	7-38
366-0379-00	7-9	366-0479-00	7-28	366-0667-00	7-38	366-1059-04	7-38
366-0379-01	7-9	366-0480-00	7-28	366-1001-00	7-4	366-1064-00	7-6
366-0380-00	7-15	366-0483-00	7-32	366-1002-00	7-4	366-1077-00	7-2
366-0380-01	7-15	366-0485-00	7-14	366-1007-00	7-3	366-1077-01	7-2
366-0381-00	7-14	366-0486-00	7-14	366-1007-01	7-3	366-1078-00	7-38
366-0381-03	7-14	366-0487-00	7-5	366-1007-02	7-3	366-1081-00	7-15
366-0381-04	7-14	366-0488-00	7-10	366-1007-03	7-21	366-1082-00	7-5
366-0381-08	7-14	366-0489-00	7-15	366-1007-04	7-3	366-1083-00	7-14
366-0381-09	7-14	366-0491-00	7-9	366-1007-05	7-3	366-1083-01	7-14
366-0382-00	7-14	366-0491-01	7-9	366-1008-00	7-4	366-1084-00	7-2
366-0382-01	7-14	366-0491-02	7-9	366-1009-00	7-4	366-1088-00	7-4
366-0382-02	7-14	366-0492-00	7-15	366-1014-00	7-28	366-1089-00	7-4
366-0383-00	7-14	366-0493-00	7-2	366-1015-00	7-28	366-1090-00	7-21
366-0384-00	7-14	366-0493-01	7-2	366-1016-00	7-28	366-1092-00	7-20
366-0384-02	7-14	366-0494-00	7-2	366-1017-00	7-28	366-1093-00	7-15
366-0385-00	7-14	366-0494-02	7-2	366-1018-00	7-28	366-1093-01	7-15
366-0385-01	7-14	366-0494-04	7-2	366-1019-00	7-28	366-1094-00	7-15
366-0385-02	7-14	366-0494-05	7-2	366-1020-00	7-15	366-1095-01	7-21
366-0386-00	7-14	366-0494-07	7-2	366-1023-00	7-6	366-1097-00	7-15
366-0386-01	7-15	366-0494-08	7-2	366-1023-01	7-6	366-1099-00	7-6
366-0387-00	7-14	366-0495-00	7-2	366-1023-02	7-6	366-1100-00	7-39
366-0387-01	7-14	366-0496-00	7-3	366-1023-03	7-6	366-1101-00	7-3
366-0388-00	7-14	366-0497-00	7-3	366-1023-05	7-6	366-1102-00	7-14
366-0388-02	7-14	366-0497-01	7-3	366-1023-07	7-6	366-1103-00	7-4
366-0389-00	7-14	366-0497-02	7-3	366-1023-08	7-6	366-1104-00	7-15
366-0389-01	7-14	366-0498-00	7-3	366-1023-09	7-6	366-1107-00	7-7
366-0389-02	7-14	366-0499-00	7-3	366-1023-11	7-6	366-1109-00	7-29
366-0390-00	7-14	366-0500-00	7-4	366-1023-12	7-6	366-1109-01	7-29
366-0392-00	7-5	366-0544-00	7-7	366-1023-13	7-6	366-1109-02	7-29
366-0392-01	7-5	366-0549-00	7-2	366-1024-00	7-3	366-1109-03	7-29
366-0392-02	7-5	366-0554-00	7-39	366-1024-01	7-3	366-1109-04	7-29

CROSS REFERENCE INDEX (cont)

Part Number	Page Number	Part Number	Page Number	Part Number	Page Number	Part Number	Page Number
366-1109-05	7-29	366-1161-37	7-27	366-1170-01	7-4	366-1257-16	7-22
366-1109-06	7-29	366-1161-38	7-27	366-1170-03	7-4	366-1257-17	7-22
366-1109-07	7-29	366-1161-39	7-27	366-1171-00	7-15	366-1257-18	7-23
366-1109-08	7-29	366-1161-40	7-27	366-1171-01	7-15	366-1257-19	7-22
366-1109-09	7-29	366-1161-41	7-27	366-1172-00	7-18	366-1257-20	7-22
366-1109-10	7-29	366-1161-42	7-27	366-1173-04	7-8	366-1257-21	7-23
366-1109-11	7-29	366-1161-43	7-27	366-1173-05	7-8	366-1257-22	7-23
366-1109-12	7-29	366-1161-44	7-27	366-1176-00	7-15	366-1257-23	7-23
366-1109-19	7-29	366-1161-45	7-27	366-1177-00	7-9	366-1257-24	7-22
366-1109-20	7-29	366-1161-46	7-27	366-1182-00	7-9	366-1257-25	7-23
366-1109-21	7-29	366-1161-47	7-27	366-1183-00	7-2	366-1257-26	7-22
366-1109-22	7-29	366-1161-48	7-27	366-1184-00	7-6	366-1257-27	7-22
366-1119-00	7-39	366-1161-49	7-27	366-1189-00	7-2	366-1257-28	7-24
366-1120-00	7-3	366-1161-50	7-27	366-1189-01	7-2	366-1257-29	7-23
366-1121-00	7-39	366-1161-51	7-27	366-1189-02	7-2	366-1257-30	7-23
366-1122-00	7-39	366-1161-52	7-27	366-1189-03	7-2	366-1257-31	7-22
366-1123-00	7-4	366-1161-53	7-27	366-1189-04	7-2	366-1257-32	7-22
366-1123-01	7-4	366-1161-54	7-27	366-1189-05	7-2	366-1257-33	7-22
366-1124-00	7-4	366-1161-55	7-27	366-1190-00	7-4	366-1257-35	7-22
366-1125-00	7-2	366-1161-56	7-27	366-1190-01	7-4	366-1257-36	7-22
366-1126-00	7-10	366-1161-57	7-27	366-1190-02	7-4	366-1257-37	7-22
366-1131-00	7-15	366-1161-58	7-27	366-1194-00	7-38	366-1257-44	7-23
366-1131-02	7-15	366-1161-59	7-27	366-1201-00	7-9	366-1257-45	7-23
366-1131-03	7-15	366-1161-60	7-27	366-1201-01	7-9	366-1257-46	7-22
366-1146-00	7-6	366-1161-61	7-27	366-1202-00	7-4	366-1257-47	7-24
366-1146-01	7-6	366-1161-62	7-27	366-1202-01	7-4	366-1257-48	7-24
366-1147-00	7-15	366-1161-63	7-27	366-1204-00	7-21	366-1257-49	7-24
366-1148-01	7-3	366-1161-64	7-27	366-1206-00	7-14	366-1257-50	7-24
366-1149-00	7-15	366-1161-65	7-27	366-1207-00	7-3	366-1257-51	7-24
366-1149-02	7-15	366-1161-66	7-27	366-1208-00	7-14	366-1257-52	7-24
366-1150-00	7-5	366-1161-67	7-27	366-1209-00	7-4	366-1257-53	7-24
366-1150-01	7-5	366-1162-00	7-28	366-1213-00	7-3	366-1257-54	7-24
366-1150-02	7-5	366-1162-01	7-28	366-1215-00	7-2	366-1257-55	7-24
366-1152-00	7-15	366-1162-02	7-28	366-1215-01	7-2	366-1257-56	7-24
366-1153-00	7-9	366-1162-03	7-28	366-1215-02	7-2	366-1257-57	7-23
366-1154-00	7-18	366-1162-04	7-28	366-1215-03	7-2	366-1257-58	7-23
366-1155-00	7-39	366-1162-05	7-28	366-1219-00	7-9	366-1257-59	7-23
366-1160-00	7-29	366-1162-06	7-28	366-1219-01	7-9	366-1257-60	7-24
366-1160-21	7-29	366-1162-07	7-28	366-1220-01	7-10	366-1257-61	7-24
366-1160-22	7-29	366-1162-08	7-28	366-1226-00	7-4	366-1257-62	7-24
366-1161-00	7-27	366-1162-09	7-28	366-1227-00	7-4	366-1257-63	7-23
366-1161-01	7-27	366-1162-10	7-28	366-1234-00	7-14	366-1257-64	7-23
366-1161-02	7-27	366-1162-11	7-28	366-1242-00	7-15	366-1257-65	7-22
366-1161-03	7-27	366-1162-12	7-28	366-1242-01	7-15	366-1257-66	7-22
366-1161-04	7-27	366-1162-13	7-28	366-1243-00	7-15	366-1257-67	7-22
366-1161-05	7-27	366-1162-14	7-28	366-1244-00	7-4	366-1257-74	7-23
366-1161-06	7-27	366-1162-15	7-28	366-1246-00	7-7	366-1257-75	7-23
366-1161-07	7-27	366-1162-16	7-28	366-1247-00	7-7	366-1257-76	7-23
366-1161-08	7-27	366-1162-17	7-28	366-1248-00	7-4	366-1257-77	7-24
366-1161-09	7-27	366-1162-18	7-28	366-1251-00	7-7	366-1257-78	7-24
366-1161-10	7-27	366-1162-19	7-28	366-1257-00	7-22	366-1257-79	7-24
366-1161-23	7-27	366-1162-20	7-28	366-1257-01	7-22	366-1257-80	7-24
366-1161-24	7-27	366-1162-21	7-28	366-1257-02	7-22	366-1257-81	7-24
366-1161-25	7-27	366-1162-22	7-28	366-1257-03	7-22	366-1257-82	7-24
366-1161-26	7-27	366-1162-23	7-28	366-1257-05	7-23	366-1257-83	7-24
366-1161-27	7-27	366-1163-00	7-9	366-1257-06	7-22	366-1257-84	7-22
366-1161-28	7-27	366-1164-00	7-3	366-1257-07	7-22	366-1257-85	7-23
366-1161-29	7-27	366-1165-00	7-4	366-1257-08	7-22	366-1257-86	7-22
366-1161-30	7-27	366-1165-01	7-4	366-1257-09	7-23	366-1257-87	7-23
366-1161-31	7-27	366-1166-00	7-6	366-1257-10	7-23	366-1257-88	7-24
366-1161-32	7-27	366-1168-00	7-8	366-1257-11	7-22	366-1257-89	7-23
366-1161-33	7-27	366-1169-00	7-14	366-1257-12	7-22	366-1257-90	7-24
366-1161-34	7-27	366-1169-01	7-14	366-1257-13	7-22	366-1257-91	7-22
366-1161-35	7-27	366-1169-02	7-14	366-1257-14	7-23	366-1257-92	7-23
366-1161-36	7-27	366-1170-00	7-4	366-1257-15	7-24	366-1257-93	7-23

CROSS REFERENCE INDEX (cont)

Part Number	Page Number	Part Number	Page Number	Part Number	Page Number	Part Number	Page Number
366-1257-94	7-22	366-1328-23	7-25	366-1390-00	7-21	366-1402-80	7-22
366-1257-95	7-23	366-1328-24	7-25	366-1391-00	7-8	366-1402-81	7-23
366-1257-96	7-23	366-1328-25	7-25	366-1391-01	7-8	366-1402-83	7-24
366-1257-97	7-23	366-1328-26	7-25	366-1391-02	7-8	366-1402-84	7-22
366-1257-98	7-23	366-1328-29	7-25	366-1391-03	7-8	366-1402-85	7-23
366-1257-99	7-22	366-1328-30	7-25	366-1391-04	7-8	366-1402-86	7-23
366-1258-00	7-4	366-1328-31	7-25	366-1395-00	7-21	366-1402-87	7-23
366-1259-00	7-29	366-1328-32	7-25	366-1395-01	7-21	366-1402-88	7-24
366-1259-01	7-29	366-1328-33	7-25	366-1400-00	7-21	366-1402-89	7-23
366-1259-02	7-29	366-1328-34	7-25	366-1400-01	7-21	366-1402-91	7-23
366-1259-03	7-29	366-1328-35	7-25	366-1401-02	7-14	366-1402-92	7-22
366-1259-04	7-29	366-1328-36	7-25	366-1402-00	7-23	366-1402-93	7-23
366-1259-05	7-29	366-1328-39	7-25	366-1402-01	7-23	366-1402-94	7-24
366-1263-00	7-39	366-1333-00	7-15	366-1402-02	7-23	366-1402-95	7-23
366-1264-00	7-8	366-1333-01	7-15	366-1402-03	7-22	366-1402-96	7-23
366-1265-00	7-2	366-1334-00	7-2	366-1402-04	7-22	366-1402-97	7-23
366-1267-00	7-15	366-1335-00	7-15	366-1402-06	7-23	366-1402-98	7-23
366-1269-01	7-14	366-1337-00	7-9	366-1402-07	7-23	366-1402-99	7-24
366-1269-02	7-14	366-1337-03	7-9	366-1402-08	7-23	366-1405-00	7-5
366-1278-00	7-9	366-1337-04	7-9	366-1402-10	7-23	366-1405-04	7-5
366-1279-00	7-4	366-1343-01	7-21	366-1402-12	7-22	366-1405-05	7-5
366-1280-00	7-7	366-1344-00	7-15	366-1402-13	7-22	366-1405-06	7-5
366-1281-00	7-20	366-1344-01	7-15	366-1402-18	7-23	366-1405-07	7-5
366-1281-01	7-20	366-1345-00	7-15	366-1402-21	7-23	366-1405-08	7-5
366-1281-02	7-20	366-1345-02	7-15	366-1402-22	7-22	366-1405-09	7-5
366-1281-03	7-20	366-1346-00	7-6	366-1402-23	7-22	366-1405-10	7-5
366-1282-01	7-39	366-1346-02	7-6	366-1402-25	7-23	366-1405-11	7-5
366-1283-00	7-3	366-1347-00	7-21	366-1402-26	7-24	366-1405-13	7-5
366-1284-00	7-5	366-1348-00	7-21	366-1402-27	7-23	366-1405-14	7-5
366-1286-02	7-18	366-1349-00	7-21	366-1402-28	7-24	366-1408-00	7-4
366-1286-03	7-18	366-1350-00	7-20	366-1402-29	7-23	366-1410-00	7-20
366-1294-00	7-21	366-1350-01	7-20	366-1402-31	7-23	366-1415-00	7-30
366-1294-01	7-21	366-1351-00	7-26	366-1402-33	7-23	366-1415-01	7-30
366-1295-00	7-21	366-1351-01	7-26	366-1402-35	7-22	366-1415-02	7-30
366-1295-01	7-21	366-1351-02	7-26	366-1402-36	7-22	366-1416-00	7-30
366-1299-00	7-4	366-1351-03	7-26	366-1402-37	7-22	366-1416-01	7-30
366-1308-00	7-8	366-1451-04	7-26	366-1402-38	7-22	366-1416-02	7-30
366-1316-00	7-21	366-1351-05	7-26	366-1402-39	7-23	366-1416-03	7-30
366-1316-01	7-21	366-1351-06	7-26	366-1402-40	7-24	366-1416-04	7-30
366-1317-00	7-2	366-1351-08	7-26	366-1402-41	7-23	366-1416-05	7-30
366-1319-02	7-8	366-1351-09	7-26	366-1402-42	7-22	366-1416-07	7-30
366-1319-03	7-8	366-1351-11	7-26	366-1402-43	7-23	366-1416-08	7-30
366-1321-00	7-9	366-1351-12	7-26	366-1402-44	7-22	366-1416-09	7-30
366-1321-01	7-9	366-1351-13	7-26	366-1402-45	7-24	366-1417-00	7-21
366-1322-00	7-8	366-1351-14	7-26	366-1402-46	7-24	366-1417-01	7-21
366-1322-01	7-8	366-1351-15	7-26	366-1402-47	7-24	366-1417-02	7-21
366-1322-02	7-8	366-1351-16	7-26	366-1402-48	7-23	366-1418-01	7-21
366-1322-03	7-8	366-1356-00	7-21	366-1402-49	7-23	366-1422-01	7-18
366-1322-04	7-8	366-1357-00	7-5	366-2402-50	7-23	366-1425-00	7-20
366-1322-05	7-8	366-1362-00	7-20	366-1402-51	7-22	366-1425-02	7-20
366-1322-06	7-8	366-1363-00	7-38	366-1402-52	7-24	366-1426-00	7-20
366-1323-00	7-3	366-1366-00	7-21	366-1402-54	7-23	366-1426-01	7-20
366-1323-01	7-3	366-1366-01	7-21	366-1402-58	7-22	366-1428-00	7-21
366-1326-00	7-7	366-1367-00	7-20	366-1402-62	7-23	366-1431-00	7-39
366-1326-01	7-7	366-1367-01	7-20	366-1402-64	7-23	366-1431-01	7-39
366-1327-00	7-6	366-1368-00	7-10	366-1402-65	7-23	366-1432-00	7-4
366-1328-00	7-25	366-1369-00	7-9	366-1402-66	7-23	366-1433-00	7-21
366-1328-15	7-25	366-1370-00	7-15	366-1402-67	7-23	366-1433-02	7-21
366-1328-16	7-25	366-1373-01	7-6	366-1402-68	7-22	366-1445-00	7-21
366-1328-17	7-25	366-1374-00	7-15	366-1402-69	7-22	366-1445-01	7-21
366-1328-18	7-25	366-1375-00	7-20	366-1402-70	7-23	366-1446-00	7-28
366-1328-19	7-25	366-1376-00	7-20	366-1402-71	7-22	366-1447-00	7-28
366-1328-20	7-25	366-1380-00	7-6	366-1402-72	7-23	366-1452-00	7-28
366-1328-21	7-25	366-1382-00	7-38	366-1402-75	7-23	366-1453-00	7-28
366-1328-22	7-25	366-1389-00	7-10	366-1402-79	7-23	366-1454-00	7-25

CROSS REFERENCE INDEX (cont)

Part Number	Page Number	Part Number	Page Number	Part Number	Page Number	Part Number	Page Number
366-1454-01	7-25	366-1489-38	7-23	366-1496-14	7-30	366-1557-00	7-24
366-1455-03	7-21	366-1489-43	7-22	366-1496-15	7-30	366-1557-01	7-23
366-1455-04	7-21	366-1489-44	7-24	366-1496-16	7-30	366-1557-02	7-23
366-1456-01	7-20	366-1489-45	7-22	366-1496-17	7-30	366-1557-03	7-22
366-1462-00	7-21	366-1489-46	7-22	366-1496-18	7-30	366-1557-04	7-24
366-1463-00	7-6	366-1489-47	7-22	366-1497-00	7-30	366-1557-05	7-24
366-1464-00	7-6	366-1489-48	7-23	366-1497-01	7-30	366-1557-06	7-24
366-1464-01	7-6	366-1489-49	7-22	366-1497-02	7-30	366-1557-07	7-23
366-1464-02	7-6	366-1489-50	7-24	366-1497-03	7-30	366-1557-17	7-23
366-1466-00	7-8	366-1489-51	7-24	366-1497-04	7-30	366-1557-18	7-22
366-1466-01	7-8	366-1489-52	7-23	366-1497-05	7-30	366-1557-19	7-22
366-1466-02	7-8	366-1489-53	7-23	366-1498-00	7-30	366-1557-20	7-22
366-1467-00	7-8	366-1489-56	7-24	366-1498-01	7-30	366-1557-22	7-23
366-1467-01	7-8	366-1489-60	7-22	366-1498-02	7-30	366-1557-27	7-22
366-1467-02	7-8	366-1489-61	7-22	366-1498-03	7-30	366-1557-28	7-22
366-1467-03	7-8	366-1489-62	7-22	366-1498-04	7-30	366-1557-29	7-22
366-1467-04	7-8	366-1489-63	7-22	366-1499-00	7-30	366-1557-30	7-23
366-1468-00	7-9	366-1489-64	7-22	366-1500-00	7-30	366-1557-41	7-23
366-1468-01	7-9	366-1489-66	7-23	366-1501-00	7-21	366-1557-42	7-25
366-1469-00	7-9	366-1489-67	7-23	366-1502-00	7-38	366-1557-43	7-23
366-1469-01	7-9	366-1489-68	7-23	366-1502-01	7-38	366-1557-44	7-23
366-1470-00	7-10	366-1489-69	7-22	366-1502-02	7-38	366-1557-45	7-23
366-1470-01	7-10	366-1489-70	7-23	366-1502-03	7-38	366-1557-46	7-22
366-1471-01	7-18	366-1489-71	7-23	366-1504-00	7-38	366-1557-47	7-23
366-1476-00	7-21	366-1489-72	7-23	366-1504-01	7-38	366-1557-48	7-24
366-1478-00	7-20	366-1489-73	7-23	366-1505-00	7-38	366-1557-49	7-24
366-1480-00	7-25	366-1489-74	7-23	366-1505-01	7-38	366-1557-50	7-24
366-1480-02	7-25	366-1489-75	7-24	366-1508-00	7-20	366-1557-51	7-24
366-1480-03	7-25	366-1489-77	7-23	366-1509-01	7-21	366-1557-52	7-24
366-1486-00	7-38	366-1489-79	7-22	366-1510-00	7-6	366-1557-53	7-24
366-1488-00	7-14	366-1489-80	7-23	366-1511-00	7-38	366-1557-54	7-23
366-1488-01	7-4	366-1489-81	7-24	366-1512-00	7-38	366-1557-55	7-22
366-1489-00	7-24	366-1489-82	7-23	366-1512-01	7-38	366-1557-56	7-23
366-1489-02	7-23	366-1489-83	7-22	366-1512-03	7-38	366-1557-57	7-24
366-1489-03	7-22	366-1489-84	7-23	366-1512-04	7-38	366-1557-58	7-22
366-1489-04	7-23	366-1489-85	7-22	366-1512-05	7-38	366-1557-59	7-22
366-1489-05	7-24	366-1489-86	7-22	366-1513-00	7-39	366-1557-60	7-22
366-1489-06	7-22	366-1489-87	7-23	366-1514-00	7-5	366-1557-61	7-24
366-1489-07	7-24	366-1489-88	7-22	366-1514-01	7-6	366-1557-62	7-24
366-1489-08	7-24	366-1489-89	7-24	366-1514-03	7-6	366-1557-63	7-24
366-1489-09	7-24	366-1489-90	7-22	366-1516-00	7-39	366-1557-64	7-24
366-1489-10	7-24	366-1489-91	7-23	366-1516-01	7-39	366-1557-65	7-24
366-1489-11	7-24	366-1489-93	7-23	366-1517-00	7-7	366-1557-66	7-24
366-1489-12	7-24	366-1489-94	7-23	366-1517-01	7-7	366-1557-67	7-24
366-1489-13	7-24	366-1489-95	7-23	366-1519-02	7-10	366-1557-68	7-23
366-1489-14	7-24	366-1489-96	7-22	366-1519-03	7-10	366-1557-69	7-23
366-1489-15	7-24	366-1489-97	7-22	366-1519-04	7-10	366-1557-70	7-23
366-1489-16	7-24	366-1489-98	7-22	366-1521-00	7-20	366-1557-71	7-22
366-1489-17	7-24	366-1489-99	7-24	366-1522-00	7-5	366-1557-72	7-22
366-1489-18	7-24	366-1494-00	7-14	366-1527-00	7-3	366-1557-73	7-24
366-1489-19	7-24	366-1495-00	7-10	366-1529-00	7-38	366-1557-74	7-23
366-1489-20	7-24	366-1496-00	7-30	366-1529-01	7-39	366-1557-75	7-22
366-1489-21	7-24	366-1496-01	7-30	366-1530-00	7-3	366-1557-76	7-23
366-1489-22	7-24	366-1496-02	7-30	366-1531-00	7-5	366-1557-77	7-24
366-1489-23	7-23	366-1496-03	7-30	366-1532-00	7-20	366-1557-78	7-23
366-1489-24	7-24	366-1496-04	7-30	366-1533-00	7-21	366-1557-79	7-24
366-1489-25	7-24	366-1496-05	7-30	366-1536-00	7-21	366-1557-80	7-23
366-1489-26	7-23	366-1496-06	7-30	366-1538-00	7-39	366-1557-84	7-23
366-1489-31	7-24	366-1496-07	7-30	366-1539-00	7-14	366-1557-85	7-22
366-1489-32	7-23	366-1496-08	7-30	366-1540-00	7-2	366-1559-00	7-38
366-1489-33	7-24	366-1496-09	7-30	366-1541-00	7-38	366-1559-01	7-38
366-1489-34	7-24	366-1496-10	7-30	366-1542-00	7-10	366-1559-02	7-38
366-1489-35	7-24	366-1496-11	7-30	366-1549-01	7-39	366-1559-03	7-38
366-1489-36	7-22	366-1496-12	7-30	366-1552-00	7-39	366-1559-04	7-38
366-1489-37	7-23	366-1496-13	7-30	366-1552-01	7-39	366-1559-05	7-38

CROSS REFERENCE INDEX (cont)

Part Number	Page Number	Part Number	Page Number	Part Number	Page Number	Part Number	Page Number
366-1559-07	7-38	366-1667-00	7-6	366-1756-00	7-39	366-1784-15	7-41
366-1559-08	7-38	366-1669-00	7-20	366-1760-00	7-39	366-1784-16	7-41
366-1559-09	7-38	366-1670-00	7-21	366-1760-01	7-39	366-1784-17	7-41
366-1561-01	7-15	366-1671-00	7-38	366-1760-02	7-39	366-1784-18	7-41
366-1561-02	7-15	366-1671-01	7-38	366-1760-03	7-39	366-1784-19	7-41
366-1563-00	7-3	366-1672-00	7-10	366-1765-00	7-30	366-1784-20	7-41
366-1564-00	7-5	366-1690-00	7-18	366-1765-01	7-30	366-1785-00	7-41
366-1564-02	7-5	366-1690-01	7-18	366-1765-02	7-30	366-1785-01	7-41
366-1564-03	7-5	366-1690-02	7-18	366-1765-03	7-30	366-1785-02	7-41
366-1567-00	7-7	366-1691-00	7-39	366-1765-04	7-30	366-1785-03	7-41
366-1567-02	7-20	366-1691-01	7-39	366-1765-05	7-30	366-1785-04	7-41
366-1567-03	7-20	366-1692-00	7-39	366-1765-06	7-30	366-1785-05	7-41
366-1567-04	7-20	366-1692-01	7-39	366-1765-07	7-30	366-1785-06	7-41
366-1567-05	7-20	366-1695-01	7-15	366-1768-00	7-39	366-1785-07	7-41
366-1570-00	7-15	366-1696-00	7-6	366-1769-00	7-10	366-1785-08	7-41
366-1570-01	7-15	366-1696-01	7-6	366-1770-00	7-41	366-1785-09	7-41
366-1575-00	7-21	366-1697-00	7-6	366-1770-02	7-41	366-1785-10	7-41
366-1576-00	7-39	366-1698-00	7-6	366-1770-03	7-41	366-1785-11	7-41
366-1596-00	7-9	366-1699-00	7-6	366-1770-04	7-41	366-1785-12	7-41
366-1596-01	7-9	366-1700-00	7-2	366-1770-05	7-41	366-1785-13	7-41
366-1596-02	7-9	366-1701-00	7-7	366-1770-06	7-41	366-1785-14	7-41
366-1596-03	7-9	366-1701-01	7-7	366-1770-07	7-41	366-1785-15	7-41
366-1596-04	7-9	366-1702-00	7-6	366-1770-08	7-41	366-1785-16	7-41
366-1601-00	7-2	366-1703-00	7-6	366-1770-09	7-41	366-1785-17	7-41
366-1602-01	7-8	366-1704-00	7-7	366-1770-10	7-41	366-1785-18	7-41
366-1603-00	7-2	366-1704-01	7-7	366-1770-11	7-41	366-1785-19	7-41
366-1605-00	7-3	366-1704-02	7-7	366-1770-12	7-41	366-1786-00	7-11
366-1606-00	7-21	366-1704-03	7-7	366-1770-13	7-41	366-1786-01	7-11
366-1608-00	7-2	366-1704-05	7-7	366-1770-14	7-41	366-1789-00	7-11
366-1609-00	7-21	366-1705-00	7-2	366-1770-15	7-41	366-1791-00	7-41
366-1610-00	7-5	366-1706-00	7-2	366-1770-16	7-41	366-1794-00	7-15
366-1610-01	7-5	366-1707-00	7-2	366-1770-17	7-41	366-1795-00	7-9
366-1610-02	7-5	366-1707-01	7-2	366-1770-18	7-41	366-1796-00	7-21
366-1618-00	7-21	366-1707-02	7-2	366-1770-19	7-41	366-1797-00	7-10
366-1618-01	7-21	366-1707-03	7-2	366-1771-00	7-39	366-1798-00	7-39
366-1619-01	7-10	366-1707-04	7-2	366-1772-00	7-11	366-1814-00	7-5
366-1620-00	7-30	366-1708-00	7-2	366-1772-01	7-11	366-1815-01	7-10
366-1620-02	7-30	366-1708-02	7-2	366-1773-00	7-11	366-1815-02	7-10
366-1620-03	7-30	366-1708-03	7-2	366-1773-01	7-11	366-1816-00	7-10
366-1620-04	7-30	366-1711-00	7-6	366-1776-00	7-39	366-1817-00	7-39
366-1620-05	7-30	366-1711-01	7-6	366-1777-00	7-39	366-1818-00	7-39
366-1620-06	7-30	366-1711-02	7-6	366-1779-00	7-5	366-1820-00	7-38
366-1620-07	7-30	366-1713-00	7-7	366-1779-01	7-5	366-1821-00	7-7
366-1620-08	7-30	366-1714-00	7-2	366-1780-00	7-9	366-1825-00	7-7
366-1620-09	7-30	366-1716-01	7-10	366-1780-01	7-9	366-1825-01	7-7
366-1620-10	7-30	366-1722-01	7-20	366-1781-00	7-11	366-1826-00	7-11
366-1620-11	7-30	366-1724-00	7-18	366-1782-00	7-11	366-1826-01	7-11
366-1623-00	7-38	366-1727-00	7-3	366-1782-01	7-11	366-1826-02	7-11
366-1624-00	7-39	366-1729-00	7-18	366-1782-02	7-11	366-1830-00	7-21
366-1624-01	7-39	366-1730-00	7-39	366-1783-00	7-41	366-1833-00	7-8
366-1629-01	7-38	366-1730-01	7-39	366-1784-00	7-41	366-1833-01	7-8
366-1630-00	7-20	366-1730-02	7-39	366-1784-01	7-41	366-1834-00	7-7
366-1631-00	7-20	366-1730-03	7-39	366-1784-02	7-41	366-1835-00	7-7
366-1639-00	7-21	366-1730-04	7-39	366-1784-03	7-41	366-1836-00	7-7
366-1639-01	7-21	366-1731-00	7-39	366-1784-04	7-41	366-1837-00	7-3
366-1645-00	7-20	366-1731-01	7-39	366-1784-05	7-41	366-1839-00	7-15
366-1645-01	7-20	366-1733-01	7-20	366-1784-06	7-41	366-1840-04	7-11
366-1646-01	7-20	366-1733-02	7-20	366-1784-07	7-41	366-1845-00	7-7
366-1647-00	7-2	366-1734-00	7-5	366-1784-08	7-41	366-1846-00	7-7
366-1650-00	7-38	366-1735-00	7-20	366-1784-09	7-41	366-1847-00	7-2
366-1651-00	7-7	366-1735-01	7-20	366-1784-10	7-41	366-1848-00	7-2
366-1658-00	7-14	366-1736-01	7-10	366-1784-11	7-41	366-1850-00	7-11
366-1660-00	7-2	366-1737-00	7-7	366-1784-12	7-41	366-1851-00	7-18
366-1661-00	7-10	366-1746-00	7-20	366-1784-13	7-41	366-1851-01	7-18
366-1662-00	7-20	366-1747-00	7-7	366-1784-14	7-41	366-1852-00	7-8

CROSS REFERENCE INDEX (cont)

Part Number	Page Number	Part Number	Page Number	Part Number	Page Number	Part Number	Page Number
366-1852-01	7-21	366-1918-00	7-35	366-1984-00	7-37	366-2029-21	7-41
366-1856-00	7-3	366-1919-00	7-35	366-1985-00	7-35	366-2029-22	7-41
366-1857-00	7-10	366-1920-00	7-35	366-1986-00	7-35	366-2030-00	7-42
366-1858-00	7-15	366-1921-00	7-35	366-1987-00	7-35	366-2030-01	7-42
366-1859-00	7-11	366-1922-00	7-35	366-1988-00	7-35	366-2030-02	7-42
366-1860-00	7-3	366-1923-00	7-35	366-1989-00	7-35	366-2030-03	7-42
366-1860-01	7-3	366-1924-00	7-35	366-1990-00	7-35	366-2030-04	7-42
366-1861-00	7-3	366-1925-00	7-35	366-1991-00	7-35	366-2030-05	7-42
366-1861-02	7-3	366-1926-00	7-35	366-1992-00	7-36	366-2030-06	7-42
366-1862-00	7-3	366-1927-00	7-35	366-1993-00	7-35	366-2030-07	7-42
366-1863-01	7-15	366-1928-00	7-35	366-1994-00	7-35	366-2030-08	7-42
366-1864-01	7-7	366-1929-00	7-35	366-1995-00	7-35	366-2030-09	7-42
366-1866-00	7-2	366-1930-00	7-36	366-1996-00	7-35	366-2030-10	7-42
366-1866-01	7-3	366-1931-00	7-36	366-1997-00	7-35	366-2030-11	7-42
366-1867-00	7-7	366-1932-00	7-36	366-1998-00	7-35	366-2030-12	7-42
366-1867-01	7-7	366-1933-00	7-36	366-1999-00	7-35	366-2030-13	7-42
366-1868-00	7-7	366-1934-00	7-36	366-2000-00	7-37	366-2030-14	7-42
366-1869-00	7-7	366-1935-00	7-36	366-2001-00	7-35	366-2030-15	7-42
366-1870-00	7-7	366-1936-00	7-36	366-2002-00	7-37	366-2030-16	7-42
366-1871-00	7-8	366-1937-00	7-36	366-2003-00	7-37	366-2030-17	7-42
366-1872-00	7-11	366-1938-00	7-35	366-2004-01	7-35	366-2030-18	7-42
366-1872-01	7-11	366-1939-00	7-35	366-2005-00	7-36	366-2030-19	7-42
366-1873-00	7-39	366-1940-00	7-36	366-2006-00	7-36	366-2030-20	7-42
366-1875-00	7-8	366-1941-00	7-35	366-2007-00	7-36	366-2030-21	7-42
366-1877-00	7-7	366-1942-00	7-35	366-2008-00	7-36	366-2030-22	7-42
366-1879-00	7-14	366-1943-00	7-36	366-2009-00	7-36	366-2030-23	7-42
366-1879-01	7-3	366-1944-00	7-36	366-2010-00	7-36	366-2031-00	7-41
366-1880-00	7-3	366-1945-00	7-36	366-2011-00	7-4	366-2032-00	7-41
366-1881-00	7-11	366-1946-00	7-36	366-2012-00	7-3	366-2032-01	7-41
366-1882-00	7-35	366-1947-00	7-36	366-2013-00	7-38	366-2032-02	7-41
366-1883-00	7-35	366-1948-00	7-36	366-2013-02	7-38	366-2032-03	7-41
366-1884-00	7-35	366-1949-00	7-36	366-2015-00	7-8	366-2032-04	7-41
366-1885-00	7-35	366-1950-00	7-36	366-2016-00	7-15	366-2032-05	7-41
366-1886-00	7-36	366-1951-00	7-36	366-2017-00	7-38	366-2032-06	7-41
366-1887-00	7-35	366-1952-00	7-37	366-2019-00	7-3	366-2032-07	7-41
366-1888-00	7-35	366-1953-00	7-37	366-2020-00	7-3	366-2032-08	7-41
366-1889-00	7-36	366-1954-00	7-35	366-2020-01	7-3	366-2032-09	7-41
366-1890-00	7-35	366-1955-00	7-35	366-2021-00	7-8	366-2032-10	7-41
366-1891-00	7-36	366-1956-00	7-36	366-2022-00	7-8	366-2032-11	7-41
366-1892-00	7-35	366-1957-00	7-37	366-2023-00	7-18	366-2032-12	7-41
366-1893-00	7-35	366-1958-00	7-37	366-2024-00	7-3	366-2032-13	7-41
366-1894-00	7-35	366-1959-00	7-37	366-2025-00	7-3	366-2032-14	7-41
366-1895-00	7-35	366-1960-00	7-36	366-2026-00	7-21	366-2032-15	7-41
366-1896-00	7-36	366-1961-00	7-35	366-2027-00	7-11	366-2032-16	7-41
366-1897-00	7-36	366-1962-00	7-36	366-2029-00	7-41	366-2032-17	7-41
366-1898-00	7-35	366-1963-00	7-36	366-2029-01	7-41	366-2032-18	7-41
366-1899-00	7-36	366-1964-00	7-36	366-2029-02	7-41	366-2033-00	7-42
366-1900-00	7-35	366-1965-00	7-36	366-2029-03	7-41	366-2033-01	7-42
366-1901-00	7-35	366-1966-00	7-36	366-2029-04	7-41	366-2033-02	7-42
366-1902-00	7-36	366-1967-00	7-36	366-2029-05	7-41	366-2033-03	7-42
366-1903-00	7-35	366-1968-00	7-36	366-2029-06	7-41	366-2035-00	7-10
366-1904-00	7-35	366-1969-00	7-37	366-2029-07	7-41	366-2036-00	7-38
366-1905-00	7-35	366-1970-00	7-36	366-2029-08	7-41	366-2038-00	7-4
366-1906-00	7-35	366-1971-00	7-35	366-2029-09	7-41	366-2039-02	7-9
366-1907-00	7-35	366-1972-00	7-35	366-2029-10	7-41	366-2041-01	7-7
366-1908-00	7-35	366-1973-00	7-35	366-2029-11	7-41	366-2041-03	7-7
366-1909-00	7-36	366-1975-00	7-37	366-2029-12	7-41	366-2045-00	7-39
366-1910-00	7-36	366-1976-00	7-37	366-2029-13	7-41	366-2045-01	7-39
366-1911-00	7-35	366-1977-00	7-35	366-2029-14	7-41	366-2045-02	7-39
366-1912-00	7-35	366-1978-00	7-35	366-2029-15	7-41	366-2048-00	7-21
366-1913-00	7-35	366-1979-00	7-35	366-2029-16	7-41	366-2049-00	7-7
366-1914-00	7-35	366-1980-00	7-35	366-2029-17	7-41	366-2049-01	7-7
366-1915-00	7-35	366-1981-00	7-35	366-2029-18	7-41	366-2052-00	7-10
366-1916-00	7-35	366-1982-00	7-35	366-2029-19	7-41	366-2052-01	7-10
366-1917-00	7-35	366-1983-00	7-35	366-2029-20	7-41	366-2053-00	7-9

CROSS REFERENCE INDEX (cont)

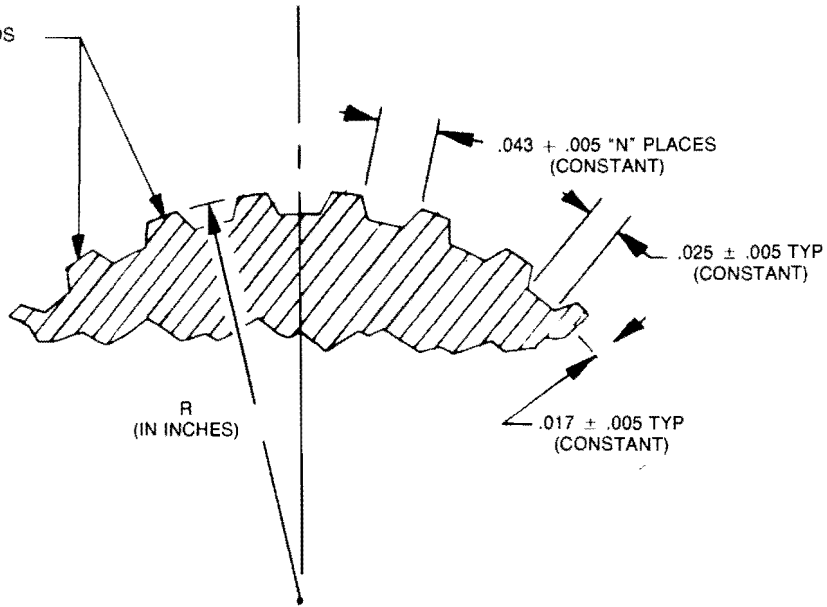
Part Number	Page Number	Part Number	Page Number
366-2054-00	7-10	366-2144-52	7-33
366-2054-01	7-10	366-2144-53	7-33
366-2066-00	7-7	366-2144-54	7-33
366-2068-00	7-7	366-2144-55	7-34
366-2072-00	7-7	366-2144-56	7-34
366-2073-00	7-3	366-2144-57	7-33
366-2074-00	7-3	366-2144-58	7-32
366-2075-00	7-7	366-2144-59	7-32
366-2081-00	7-7	366-2144-60	7-32
366-2082-00	7-7	366-2144-61	7-32
366-2085-00	7-3	366-2144-62	7-32
366-2097-00	7-11	366-2144-63	7-32
366-2098-00	7-11	366-2144-64	7-32
366-2104-00	7-11	366-2144-65	7-32
366-2144-01	7-33	366-2144-66	7-33
366-2144-02	7-34	366-2144-67	7-32
366-2144-03	7-33	366-2144-68	7-32
366-2144-04	7-33	366-2144-69	7-32
366-2144-05	7-33	366-2144-70	7-32
366-2144-06	7-33	366-2144-71	7-32
366-2144-07	7-33	366-2144-72	7-32
366-2144-08	7-33	366-2144-73	7-32
366-2144-09	7-33	366-2144-74	7-32
366-2144-10	7-33	366-2144-75	7-32
366-2144-11	7-33	366-2145-00	7-6
366-2144-12	7-33	366-2145-01	7-6
366-2144-13	7-34	366-2146-03	7-2
366-2144-14	7-34	366-2147-02	7-38
366-2144-15	7-34	366-2148-01	7-20
366-2144-16	7-33	366-2150-00	7-7
366-2144-17	7-33	366-2156-00	7-4
366-2144-18	7-34	366-2159-00	7-5
366-2144-19	7-33		
366-2144-20	7-33		
366-2144-21	7-33		
366-2144-22	7-33		
366-2144-23	7-33		
366-2144-24	7-33		
366-2144-25	7-33		
366-2144-26	7-33		
366-2144-27	7-33		
366-2144-28	7-33		
366-2144-29	7-33		
366-2144-30	7-33		
366-2144-31	7-33		
366-2144-32	7-33		
366-2144-33	7-33		
366-2144-34	7-33		
366-2144-35	7-33		
366-2144-36	7-33		
366-2144-37	7-33		
366-2144-38	7-33		
366-2144-39	7-33		
366-2144-40	7-33		
366-2144-41	7-33		
366-2144-42	7-33		
366-2144-43	7-33		
366-2144-44	7-34		
366-2144-45	7-33		
366-2144-46	7-33		
366-2144-47	7-33		
366-2144-48	7-33		
366-2144-49	7-33		
366-2144-50	7-33		
366-2144-51	7-33		

CROSS REFERENCE INDEX (cont)

Part Number	Page Number	Part Number	Page Number	Part Number	Page Number	Part Number	Page Number
377-0014-00	7-17	377-0266-00	7-16	377-0512-02	7-16	426-0568-00	7-40
377-0015-00	7-17	377-0270-00	7-16	377-0513-00	7-16	426-0568-01	7-40
377-0016-00	7-16	377-0274-00	7-16	377-0514-00	7-17	426-0681-00	7-40
377-0017-00	7-16	377-0277-00	7-16	377-0515-00	7-16	426-0681-01	7-40
377-0018-00	7-16	377-0288-00	7-17	377-0516-00	7-16	426-0785-00	7-40
377-0032-00	7-16	377-0289-00	7-16	377-0522-00	7-16	426-0836-00	7-40
377-0053-00	7-17	377-0293-03	7-16	377-0523-00	7-16	426-1072-00	7-40
377-0056-00	7-16	377-0293-05	7-16	377-0524-00	7-17		
377-0058-00	7-16	377-0294-02	7-17	377-0524-01	7-17		
377-0058-01	7-16	377-0294-03	7-17	377-0530-00	7-16		
377-0078-00	7-17	377-0294-04	7-17	377-0532-00	7-16		
377-0081-00	7-17	377-0294-05	7-17	377-0533-00	7-16		
377-0086-00	7-16	377-0300-00	7-17	377-0537-00	7-17		
377-0088-00	7-17	377-0311-00	7-16	377-0544-00	7-16		
377-0092-00	7-17	377-0315-00	7-16	377-0550-00	7-16		
377-0092-01	7-17	377-0316-00	7-16	377-0550-01	7-16		
377-0100-00	7-16	377-0317-00	7-17	377-0553-00	7-16		
377-0102-00	7-16	377-0323-00	7-16	377-0554-00	7-17		
377-0128-00	7-17	377-0324-00	7-16	377-0555-00	7-17		
377-0137-00	7-17	377-0333-00	7-16	377-0558-00	7-16		
377-0138-00	7-17	377-0338-00	7-16	377-0559-00	7-17		
377-0146-00	7-16	377-0344-00	7-16	377-0561-00	7-16		
377-0153-00	7-16	377-0350-00	7-16	377-0564-00	7-16		
377-0153-01	7-16	377-0351-00	7-16	377-0568-00	7-16		
377-0153-03	7-16	377-0353-01	7-16	377-0569-00	7-16		
377-0155-00	7-17	377-0355-00	7-16	377-0570-00	7-16		
377-0161-00	7-17	377-0360-00	7-16	377-0571-00	7-17		
377-0198-00	7-16	377-0363-00	7-16	377-0597-00	7-16		
377-0199-00	7-16	377-0368-00	7-17	377-0689-00	7-16		
377-0200-00	7-16	377-0379-00	7-16				
377-0200-01	7-16	377-0380-00	7-16				
377-0200-02	7-16	377-0383-00	7-16				
377-0201-00	7-16	377-0384-00	7-16				
377-0201-01	7-16	377-0389-00	7-16				
377-0202-00	7-16	377-0389-01	7-16				
377-0202-01	7-16	377-0398-00	7-16				
377-0203-00	7-16	377-0400-00	7-16				
377-0204-00	7-16	377-0401-01	7-16				
377-0205-00	7-17	377-0402-00	7-16				
377-0205-01	7-17	377-0404-00	7-16				
377-0205-03	7-17	377-0412-01	7-16				
377-0206-00	7-16	377-0413-00	7-16				
377-0207-00	7-17	377-0414-00	7-16				
377-0208-00	7-17	377-0419-01	7-16				
377-0210-00	7-16	377-0423-00	7-16				
377-0211-00	7-17	377-0424-00	7-17				
377-0212-00	7-16	377-0431-00	7-16				
377-0217-00	7-16	377-0439-00	7-16				
377-0230-00	7-16	377-0440-00	7-16				
377-0231-00	7-17	377-0441-00	7-17				
377-0234-00	7-16	377-0444-00	7-16				
377-0235-00	7-17	377-0452-00	7-16				
377-0235-01	7-17	377-0453-00	7-17				
377-0236-00	7-17	377-0464-01	7-17				
377-0236-01	7-17	377-0467-00	7-16				
377-0243-00	7-17	377-0482-00	7-16				
377-0243-01	7-16	377-0488-00	7-17				
377-0244-00	7-16	377-0491-00	7-16				
377-0245-00	7-16	377-0492-00	7-17				
377-0246-00	7-17	377-0493-00	7-16				
377-0252-00	7-17	377-0494-00	7-17				
377-0253-00	7-17	377-0495-00	7-16				
377-0264-00	7-17	377-0508-00	7-16				
377-0264-01	7-16	377-0512-00	7-16				
377-0265-00	7-16	377-0512-01	7-16				

KNOB-FLUTE DESIGN

N = NUMBER OF LANDS



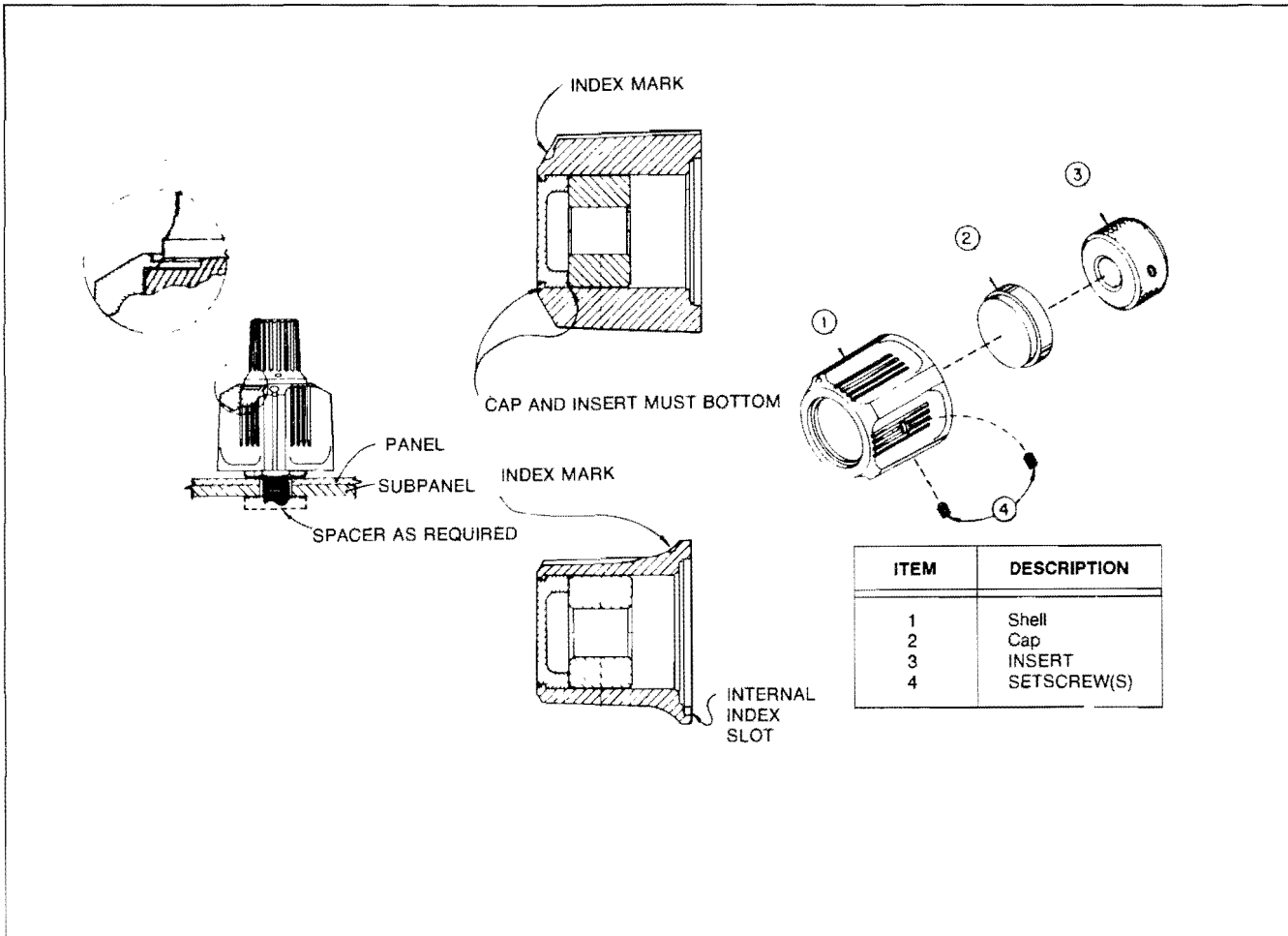
FLUTE DETAIL

N = 100 TIMES RADIUS, A WHOLE NUMBER ONLY.

EXAMPLE: R = .9375
N = 93.

Remainder (.75) will automatically equally distribute among the lands (land width not to be specified).

TYPICAL KNOB ASSEMBLY DETAILS



KNOBS

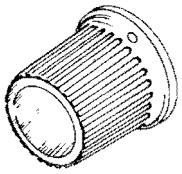


FIGURE 1

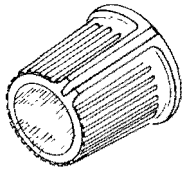


FIGURE 2

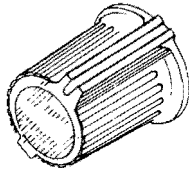


FIGURE 3

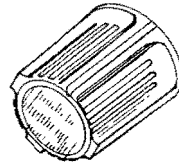


FIGURE 4

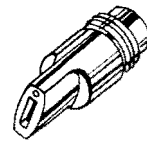


FIGURE 5

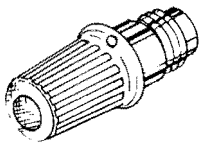


FIGURE 6

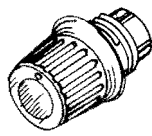


FIGURE 7

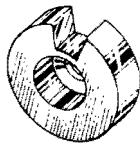


FIGURE 8

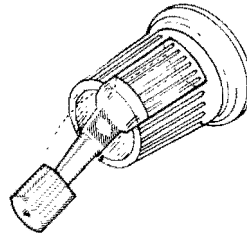


FIGURE 9

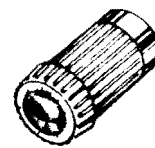


FIGURE 10

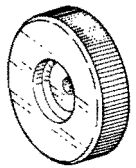


FIGURE 11

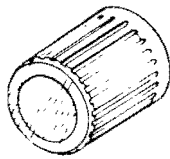


FIGURE 12

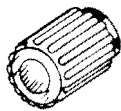


FIGURE 13

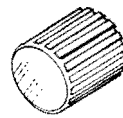


FIGURE 14

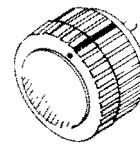


FIGURE 15

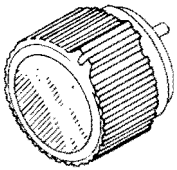


FIGURE 16

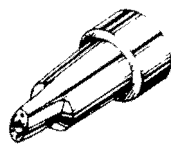


FIGURE 17

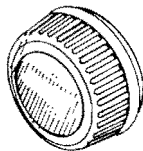


FIGURE 18

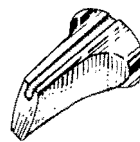


FIGURE 19

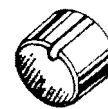


FIGURE 20

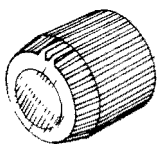


FIGURE 21



FIGURE 22

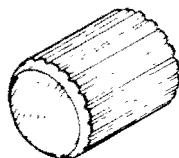


FIGURE 23

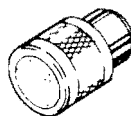


FIGURE 24

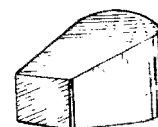
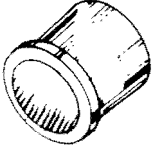

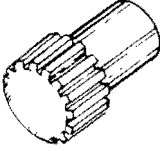
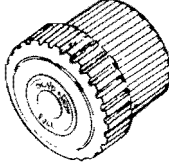
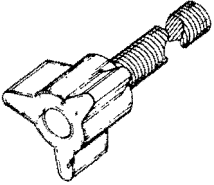
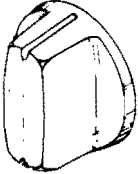
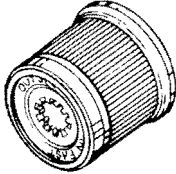
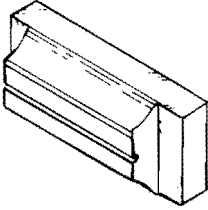
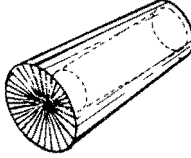
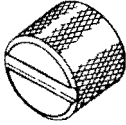
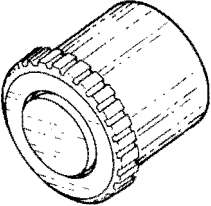
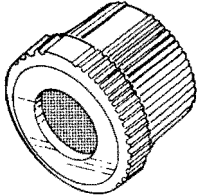
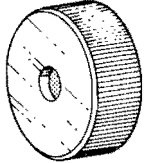
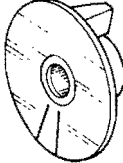
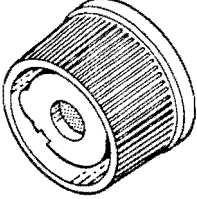
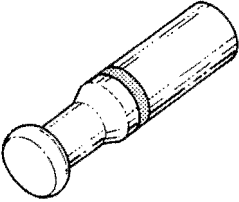
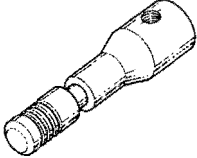
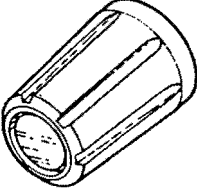
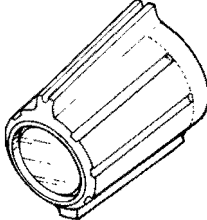
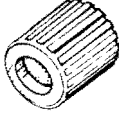
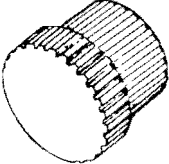
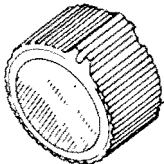
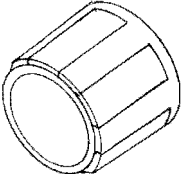
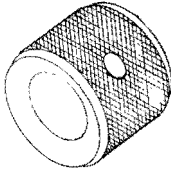
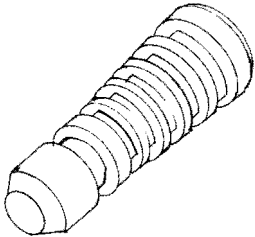


FIGURE 25

KNOBS

 <p>FIGURE 26</p>	 <p>FIGURE 27</p>	 <p>FIGURE 28</p>	 <p>FIGURE 29</p>	 <p>FIGURE 30</p>
 <p>FIGURE 31</p>	 <p>FIGURE 32</p>	 <p>FIGURE 33</p>	 <p>FIGURE 34</p>	 <p>FIGURE 35</p>
 <p>FIGURE 36</p>	 <p>FIGURE 37</p>	 <p>FIGURE 38</p>	 <p>FIGURE 39</p>	 <p>FIGURE 40</p>
 <p>FIGURE 41</p>	 <p>FIGURE 42</p>	 <p>FIGURE 43</p>	 <p>FIGURE 44</p>	 <p>FIGURE 45</p>
 <p>FIGURE 46</p>	 <p>FIGURE 47</p>	 <p>FIGURE 48</p>	 <p>FIGURE 49</p>	 <p>FIGURE 50</p>

KNOBS

KNOBS, SHELL

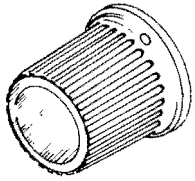


FIGURE 1

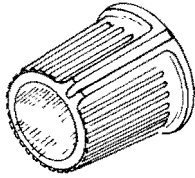


FIGURE 2

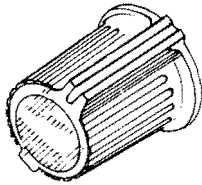


FIGURE 3

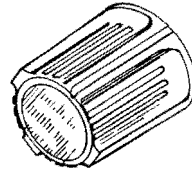


FIGURE 4

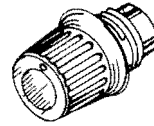


FIGURE 7

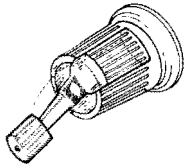


FIGURE 9

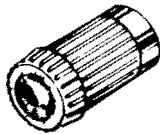


FIGURE 10

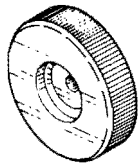


FIGURE 11

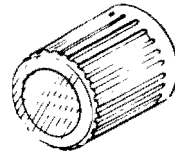


FIGURE 12

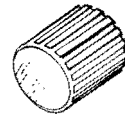


FIGURE 14

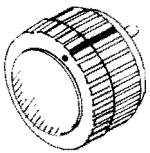


FIGURE 15

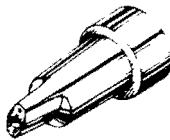


FIGURE 17

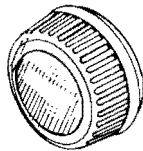


FIGURE 18



FIGURE 20

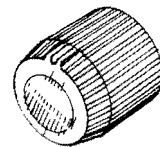


FIGURE 21

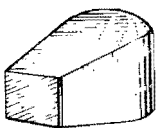


FIGURE 25

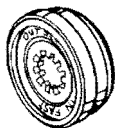


FIGURE 32

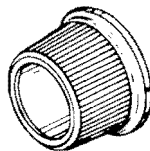


FIGURE 32A

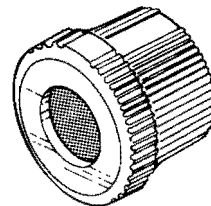


FIGURE 37

KNOBS, SHELL

KNOBS, INSERT

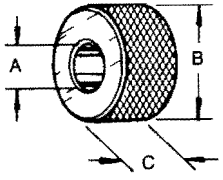


FIGURE 1

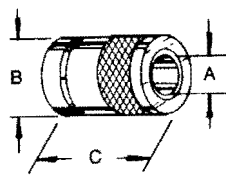


FIGURE 2

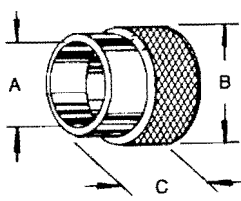


FIGURE 3

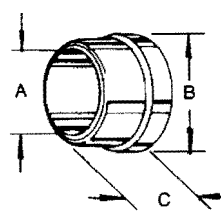


FIGURE 4

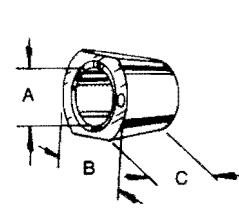


FIGURE 5

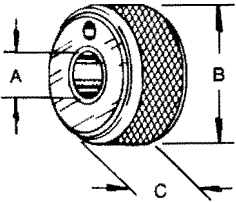


FIGURE 6

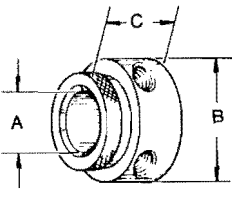


FIGURE 7

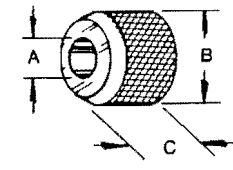


FIGURE 8

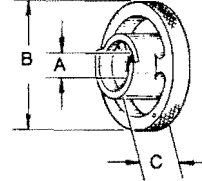


FIGURE 9

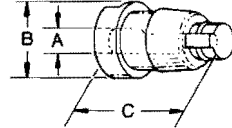


FIGURE 10

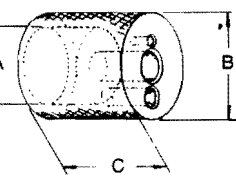


FIGURE 11

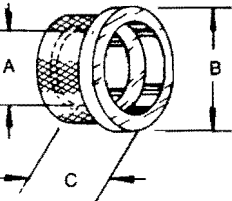


FIGURE 12

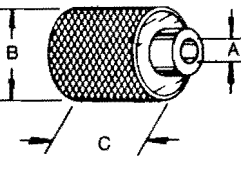


FIGURE 13

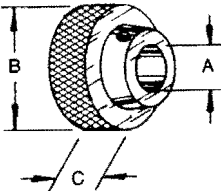


FIGURE 14

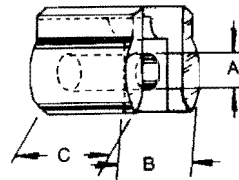


FIGURE 15

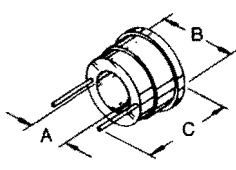


FIGURE 16

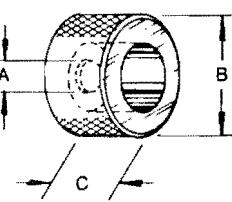


FIGURE 17

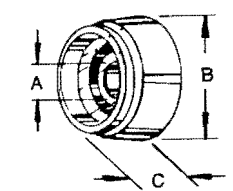


FIGURE 18

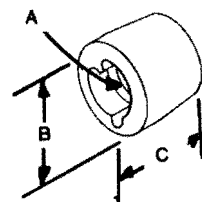


FIGURE 19

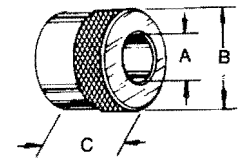
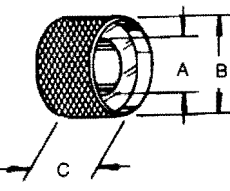
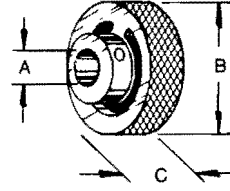
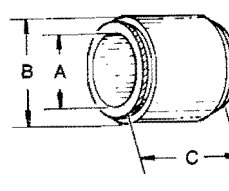
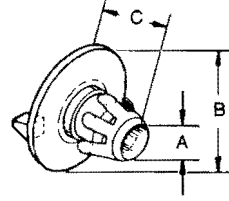
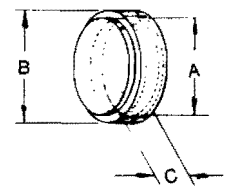
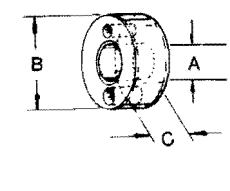
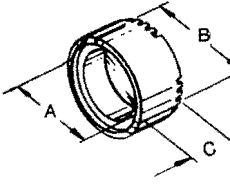
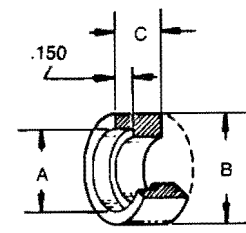
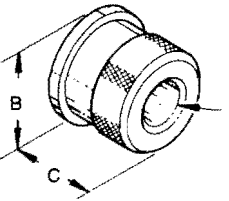
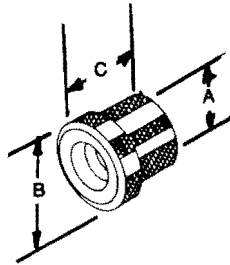
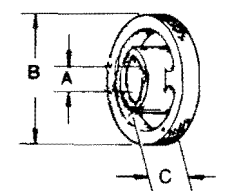
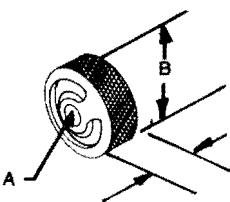
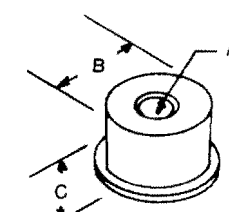
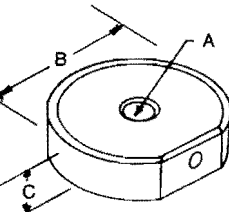
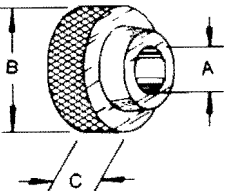
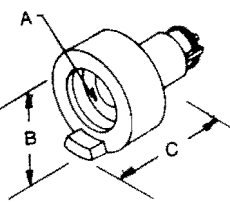
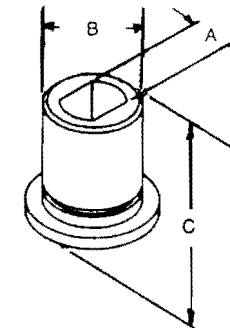
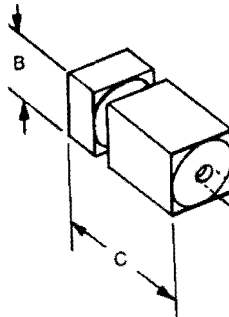


FIGURE 20

KNOBS, INSERT

 <p>FIGURE 21</p>	 <p>FIGURE 22</p>	 <p>FIGURE 23</p>	 <p>FIGURE 24</p>	 <p>FIGURE 25</p>
 <p>FIGURE 26</p>	 <p>FIGURE 27</p>	 <p>CUTAWAY VIEW</p> <p>FIGURE 28</p>	 <p>FIGURE 29</p>	 <p>FIGURE 30</p>
 <p>FIGURE 31</p>	 <p>FIGURE 32</p>	 <p>FIGURE 33</p>	 <p>FIGURE 34</p>	 <p>FIGURE 35</p>
 <p>FIGURE 36</p>	 <p>FIGURE 37</p>	 <p>FIGURE 38</p>		

PUSHBUTTONS

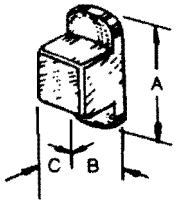


FIGURE 1

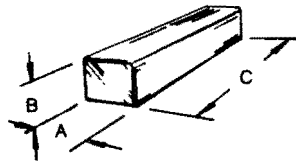


FIGURE 2

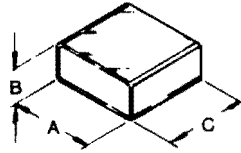


FIGURE 3

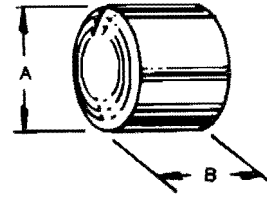


FIGURE 4

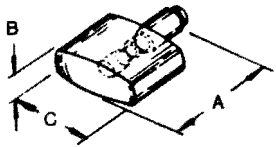


FIGURE 5

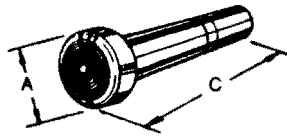


FIGURE 6

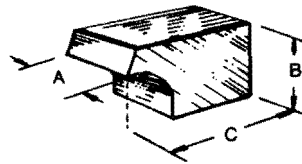


FIGURE 7

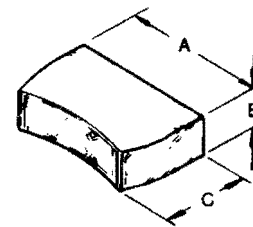


FIGURE 8

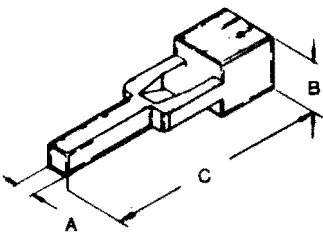


FIGURE 9

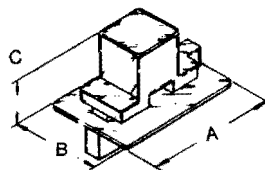


FIGURE 10

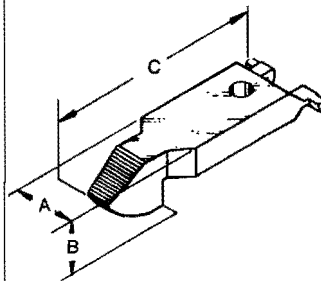


FIGURE 11

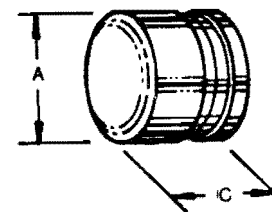


FIGURE 12

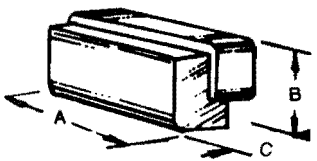


FIGURE 13

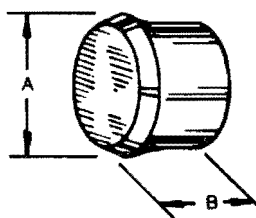


FIGURE 14

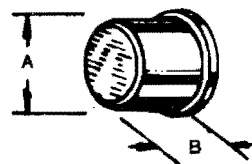


FIGURE 15

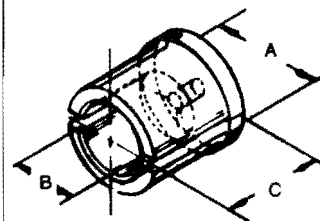


FIGURE 16

PUSHBUTTONS

PUSHBUTTONS

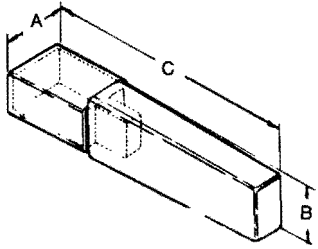


FIGURE 17

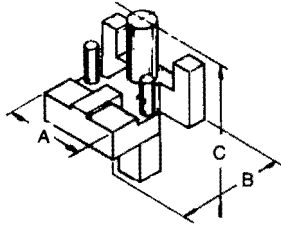


FIGURE 18

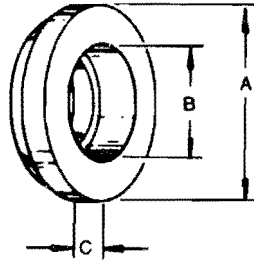


FIGURE 19

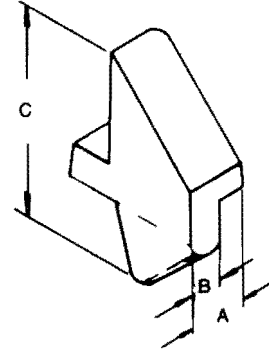


FIGURE 20

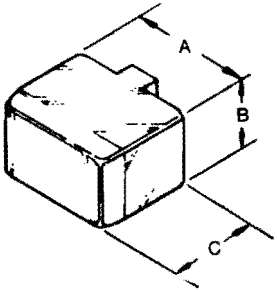


FIGURE 21

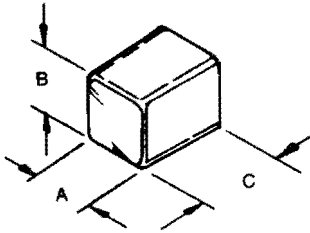


FIGURE 22

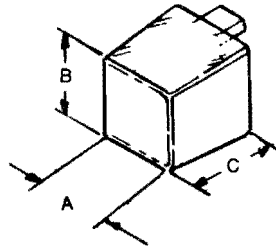


FIGURE 23

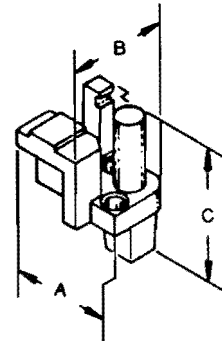


FIGURE 24

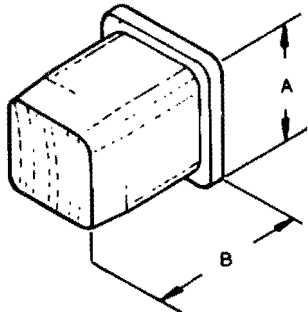


FIGURE 25

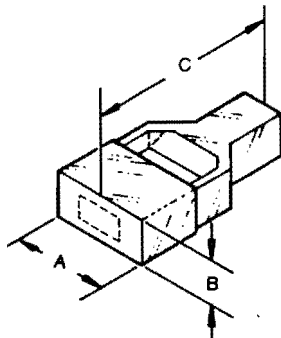


FIGURE 26

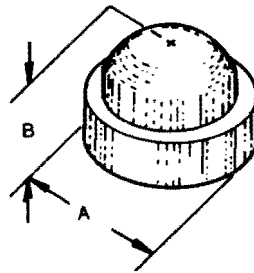


FIGURE 27

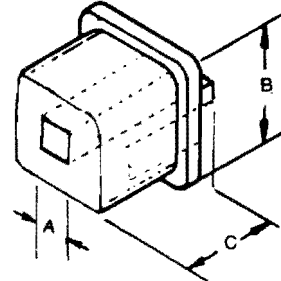


FIGURE 28

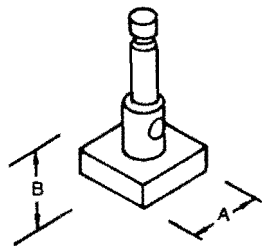


FIGURE 29

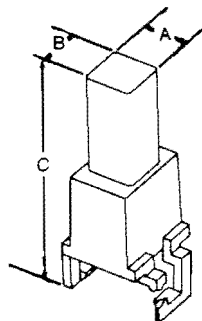


FIGURE 30

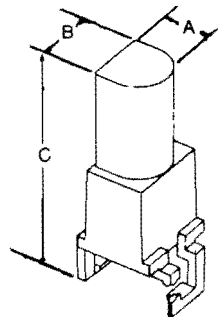


FIGURE 31