

067-0051-00
(TU-75B)

NOTES

STATUS

John Mulvey, 9-1-65

No longer for sale. Use separate ballast 067-0049-00.

MECHANICAL PARTS LIST

PUBLICATION NO.

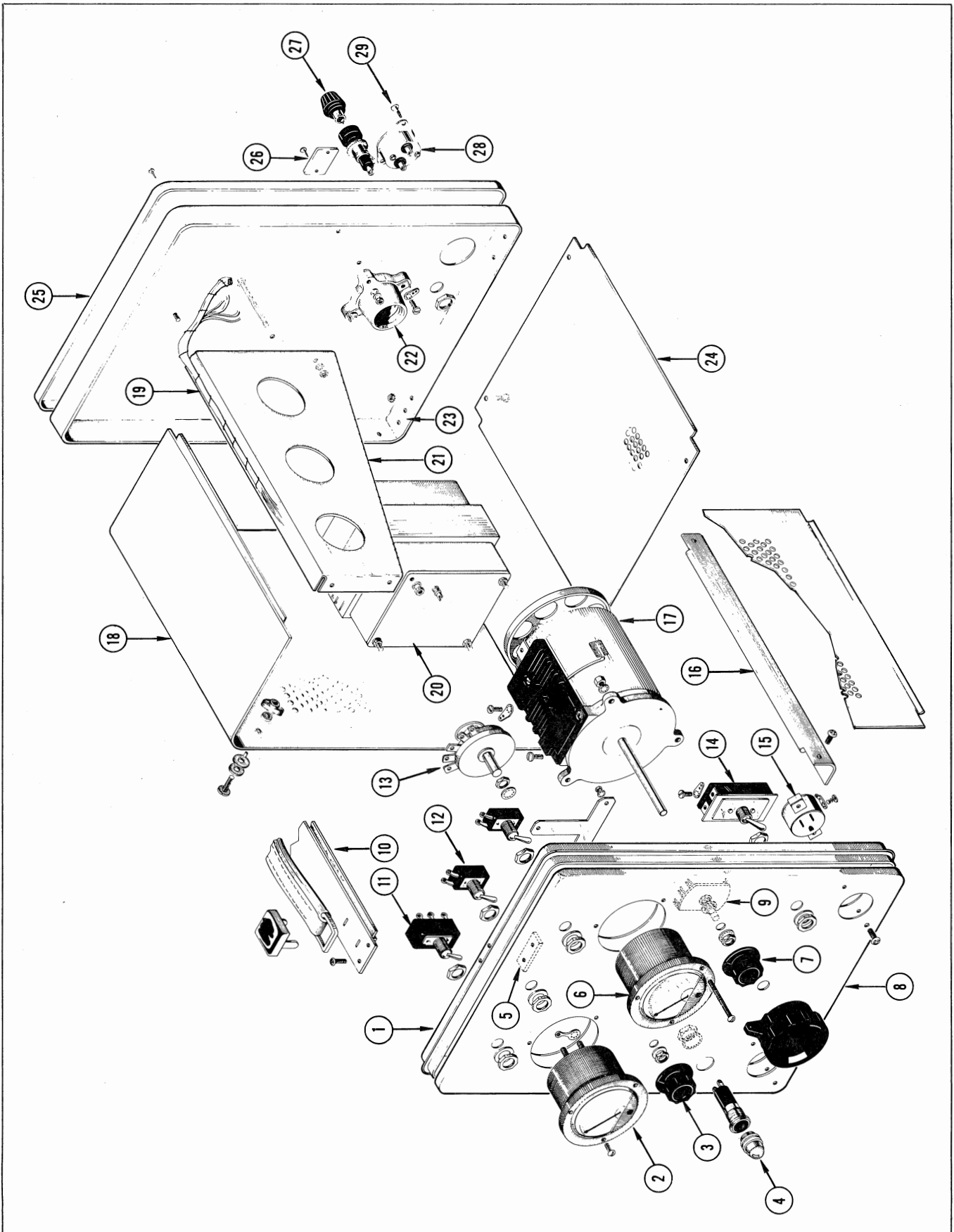
062-205

June 1964



©, 1964, Tektronix, Inc.,
All rights reserved.

EXPLODED VIEW



MECHANICAL PARTS

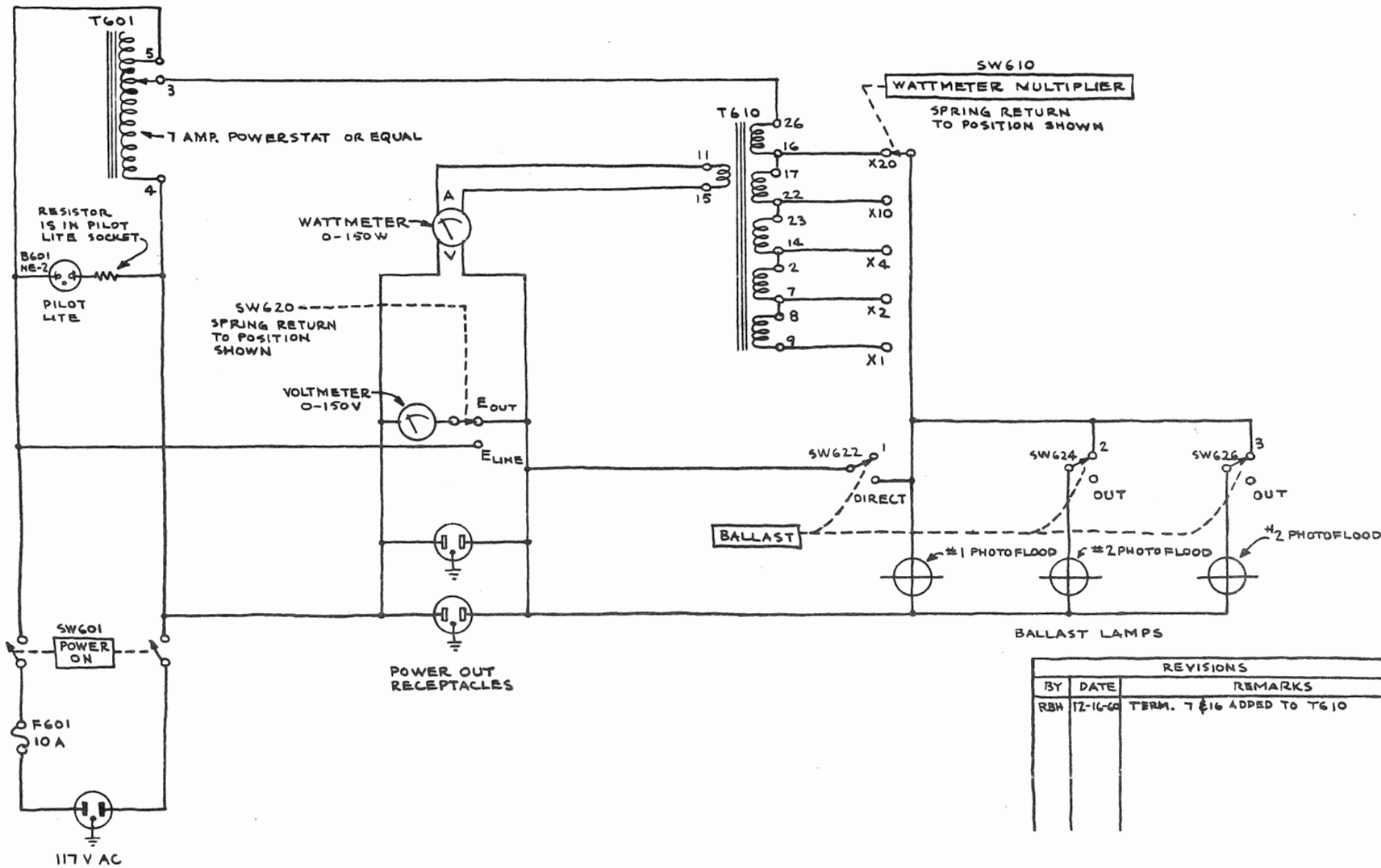
REF. NO.	PART NO.	SERIAL/MODEL NO.		QTY.	DESCRIPTION
		EFF.	DISC.		
1	386-810			1	PLATE, subpanel, front
	- - - -			-	plate includes:
	354-057			1	RING, ornamental
2	- - - -			1	METER -- WATTS
	- - - -			-	mounting hardware: (not included w/meter)
	210-206			4	LUG, solder, SE10, long
3	366-042			1	KNOB, large black -- WATTMETER MULTIPLIER
	- - - -			-	knob includes:
	213-004			1	SCREW, set, 6-32 x 3/16 inch, HSS
4	136-028			1	SOCKET, light, w/clear jewel
	- - - -			-	socket includes:
	- - - -			1	NUT
	- - - -			1	LOCKWASHER
5	381-084			2	BAR, tapped 6-32
6	- - - -			1	METER -- A.C. VOLTS
	- - - -			-	mounting hardware: (not included w/meter)
	211-571			3	SCREW, 6-32 x 2-1/2 inches, RHS
	- - - -			3	LOCKWASHER
	- - - -			3	NUT
	406-513			1	BRACKET, switch mounting
	348-003			2	GROMMET, rubber, 5/16 inch
	337-329			1	SHIELD, meter
7	366-042			1	KNOB, large black -- E _{out} /E _{line}
	- - - -			-	knob includes:
	213-004			1	SCREW, set, 6-32 x 3/16 inch, HSS
8	333-455			1	PANEL, front
9	260-163			1	SWITCH, unwired -- E _{out} /E _{line}
	- - - -			-	mounting hardware: (not included w/switch)
	210-413			1	NUT, hex, 3/8-32 x 1/2 inch
	210-840			1	WASHER, .390 ID x 9/16 inch OD
	210-013			1	LOCKWASHER, internal, 3/8 x 1/2 inch
10	381-163	101	205	1	BAR, top support
	- - - -			-	bar includes:
	367-001	101	205	1	HANDLE
	343-052	101	205	2	CLAMP
	381-233	206		1	BAR, top support
	- - - -			-	bar includes:
	367-037	206		1	HANDLE
	344-098	206		2	CLIP
	212-518	206		2	SCREW, 10-32 x 5/16 inch, BHB
	- - - -			-	mounting hardware: (not included w/bar)
	211-537			4	SCREW, 6-32 x 3/8 inch, THS phillips

MECHANICAL PARTS

REF. NO.	PART NO.	SERIAL/MODEL NO.		QTY.	DESCRIPTION
		EFF.	DISC.		
11	260-067	101	124	1	SWITCH, unwired -- DIRECT/BALLAST
	260-276	125		1	SWITCH, unwired -- DIRECT/BALLAST
	- - - -			-	mounting hardware: (not included w/switch)
	210-473			1	NUT, switch, 15/32-32 x 5/64 inch, 12 sided
	210-902			1	WASHER, flat, .470 ID x 21/32 inch OD
	210-414			1	NUT, hex, 15/32-32 x 9/16 inch
12	260-134			2	SWITCH, unwired -- OUT/BALLAST
	- - - -			-	mounting hardware for each: (not included w/switch)
	210-473			1	NUT, switch, 15/32-32 x 5/64 inch, 12 sided
	210-902			1	WASHER, flat, .470 ID x 21/32 inch OD
	210-414			1	NUT, hex, 15/32-32 x 9/16 inch
13	260-165			1	SWITCH, unwired -- WATTMETER MULTIPLIER
	- - - -			-	mounting hardware: (not included w/switch)
	210-413			1	NUT, hex, 3/8-32 x 1/2 inch
	210-840			1	WASHER, .390 ID x 9/16 inch OD
	210-013			1	LOCKWASHER, internal, 3/8 x 1/2 inch
14	260-014			1	SWITCH, unwired -- POWER ON
	- - - -			-	mounting hardware: (not included w/switch)
	210-473			1	NUT, switch, 15/32-32 x 5/64 inch, 12 sided
	210-902			1	WASHER, flat, .470 ID x 21/32 inch OD
	210-414			1	NUT, hex, 15/32-32 x 9/16 inch
	210-202			4	LUG, solder, SE6
15	136-036			2	SOCKET, grounding type, 3 conductor
	- - - -			-	mounting hardware for each: (not included w/socket)
	212-039			2	SCREW, 8-32 x 3/8 inch, THS phillips
	210-205			2	LUG, solder, SE8
16	122-063			2	ANGLE, frame, bottom
	- - - -			-	mounting hardware for each: (not included w/angle)
	211-537			4	SCREW, 6-32 x 3/8 inch, THS phillips
	210-457			4	NUT, keps, 6-32 x 5/16 inch
17	- - - -			1	TRANSFORMER
	- - - -			-	mounting hardware: (not included w/transformer)
	- - - -			3	SCREW
	- - - -			3	LOCKWASHER
	210-411			3	NUT, hex, 1/4-20 x 7/16 inch
	210-202			3	LUG, solder, SE6
18	387-042			2	PLATE, cabinet, side
	- - - -			-	each plate includes:
	105-007			2	STOP
	210-480			2	NUT, latch, nylon
	210-847			2	WASHER, nylon
	213-033			2	SCREW, fastening
19	179-507			1	CABLE HARNESS

MECHANICAL PARTS

REF. NO.	PART NO.	SERIAL/MODEL NO.		QTY.	DESCRIPTION
		EFF.	DISC.		
20	- - - -			1	TRANSFORMER
	- - - -			-	transformer includes:
	210-008			4	LOCKWASHER, internal, #8
	210-409			4	NUT, hex, 8-32 x 5/16 inch
	212-034			4	SCREW, 8-32 x 4-1/4 inches, HHS
21	387-569			1	PLATE, bulkhead
	- - - -			-	mounting hardware: (not included w/plate)
	211-538			4	SCREW, 6-32 x 5/16 inch, FHS 100° CSK phillips
	210-457			4	NUT, keps, 6-32 x 5/16 inch
22	136-045			3	SOCKET, porcelain lamp
	- - - -			-	mounting hardware for each: (not included w/socket)
	211-523			2	SCREW, 6-32 x 7/8 inch, FHS 100° CSK phillips
	- - - -			2	LOCKWASHER
	210-811			2	WASHER, fiber, #6
	- - - -			2	NUT
	210-202			2	LUG, solder, SE6
23	386-811			1	PLATE, subpanel, rear
	- - - -			-	plate includes:
	354-057			1	RING, ornamental
24	387-043			1	PLATE, cabinet, bottom
	- - - -			-	mounting hardware: (not included w/plate)
	211-537			4	SCREW, 6-32 x 3/8 inch, THS phillips
	210-457			4	NUT, keps, 6-32 x 5/16 inch
25	386-812			1	PLATE, overlay, rear
	- - - -			-	mounting hardware: (not included w/plate)
	213-035			4	SCREW, thread cutting, 4-40 x 1/4 inch, PHS phillips
26	334-649			1	TAG, voltage rating, 117 V
	- - - -			-	mounting hardware: (not included w/tag)
	213-035			2	SCREW, thread cutting, 4-40 x 1/4 inch, PHS phillips
27	352-002			1	HOLDER, fuse assembly
	- - - -			-	assembly includes:
	200-582			1	CAP, fuse
	352-010			1	HOLDER, fuse
	210-873			1	WASHER, rubber
	- - - -			1	NUT
28	131-150			1	CONNECTOR, chassis mount, motor base assembly (See Ref. #29)
	- - - -			-	assembly includes:
	129-041			1	POST, ground
	200-185			1	COVER
	205-014			1	SHELL
	210-004			2	LOCKWASHER, internal, #4
	210-551			2	NUT, hex, 4-40 x 1/4 inch
	211-015			1	SCREW, 4-40 x 1/2 inch, RHS
	214-078			1	PIN, connecting
	377-041			1	INSERT
29	- - - -			-	mounting hardware: (not included w/assembly)
	213-104			2	SCREW, thread cutting, 6-32 x 3/8 inch, THS phillips



REVISIONS		
BY	DATE	REMARKS
RBH	12-16-60	TERM. 7 & 16 ADDED TO T610

TYPE TU-75B

POWER TEST SET

10-5-60
RBH

