

067-0048-00

(TU-76)

NOTES

STATUS

John Mulvey, 9-1-65

Rated at 7.5 amperes. General Radio 10 ampere Type W10MT3W recommended to customers.

MECHANICAL PARTS LIST

CONTENTS

FRONT	PAGE 2
SIDE	PAGE 4
REAR	PAGE 6
CABINET	PAGE 8

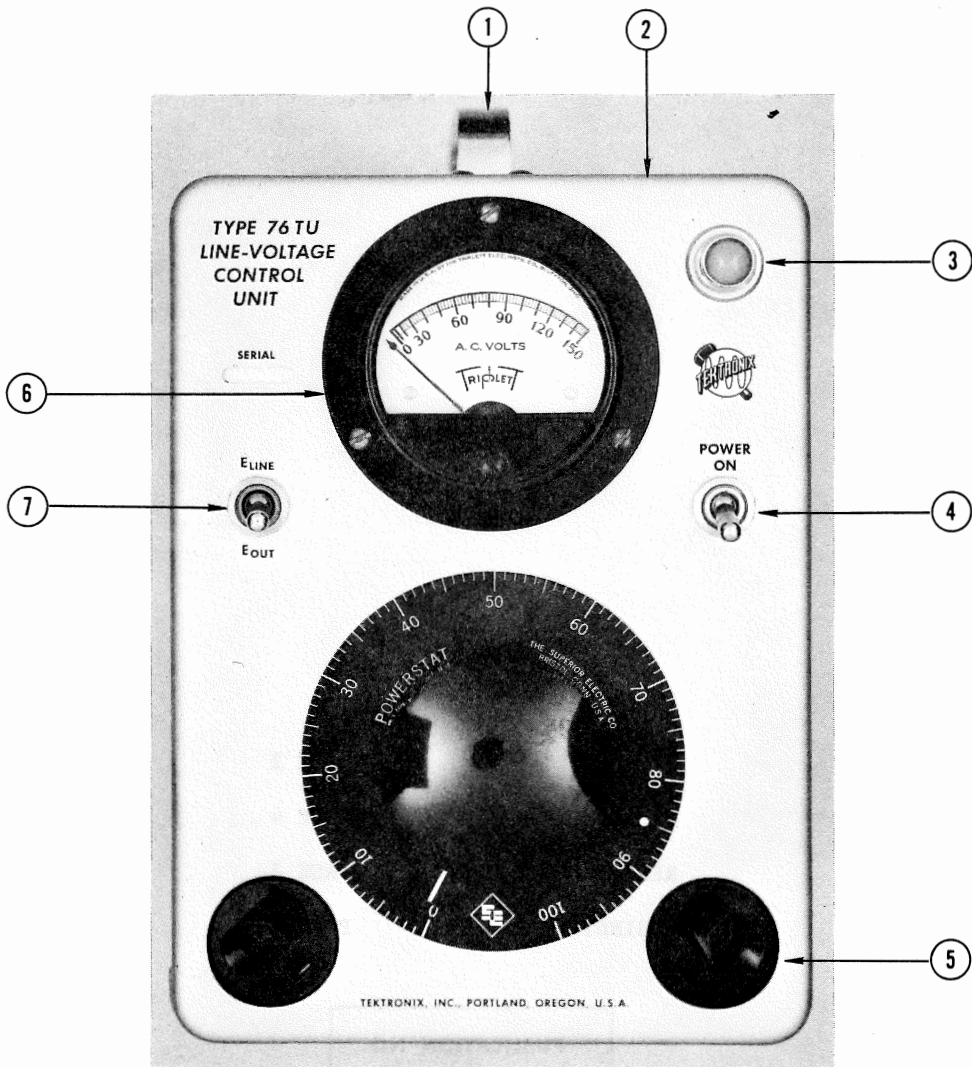
PUBLICATION NO.

062-214
July 1964



©. 1964, Tektronix, Inc.,
All rights reserved.

FRONT

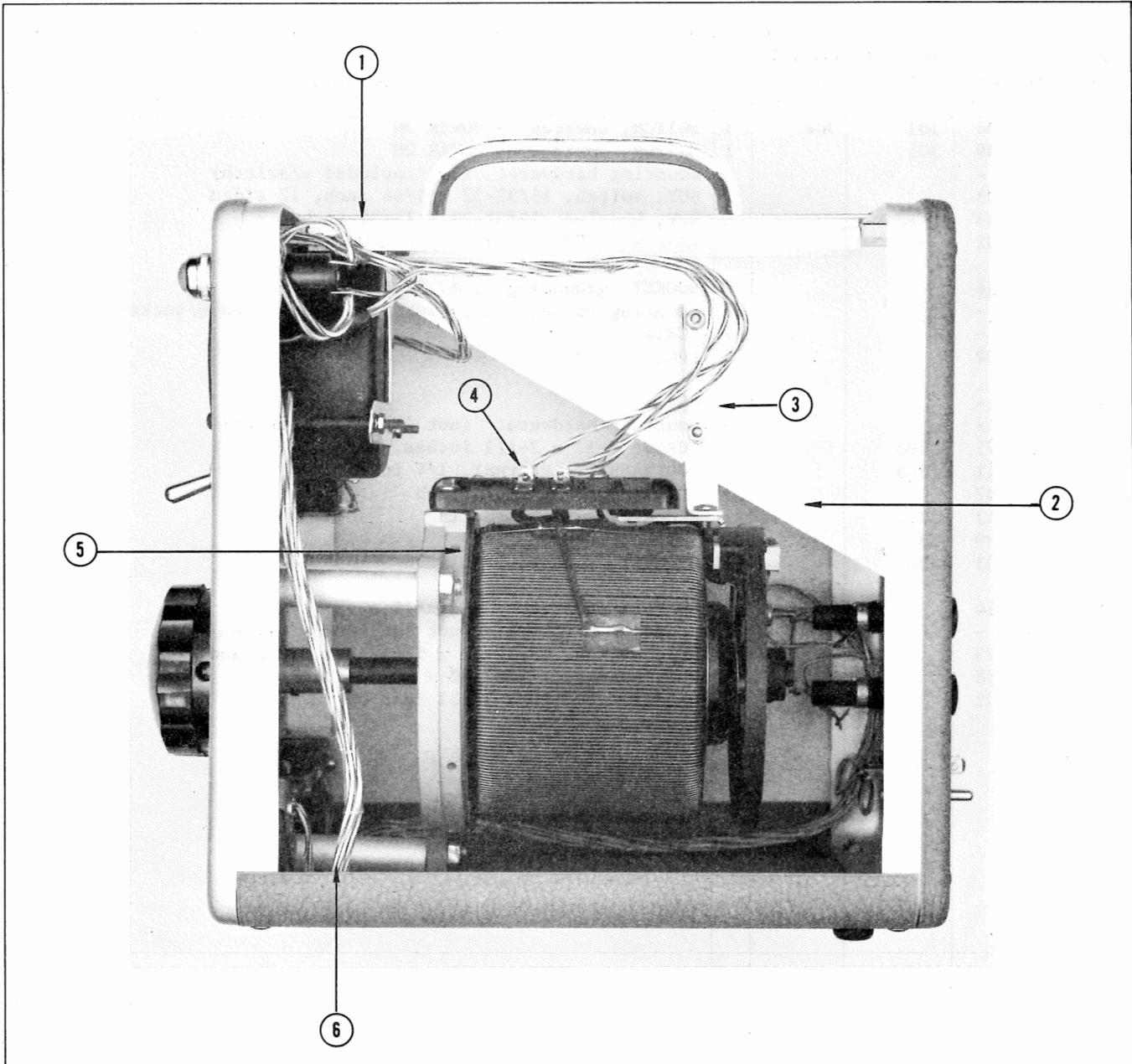


REF. NO.	PART NO.	SERIAL/MODEL NO.		QTY.	DESCRIPTION
		EFF.	DISC.		
1	367-007 - - - - - - - -			1 - 2	HANDLE mounting hardware: (not included w/handle) SCREW
2	333-454 333-615 386-814	101 305	304	1 1 1	PANEL, front PANEL, front PLATE, subpanel, front
3	136-028 - - - - - - - - - - - -			1 - 1 1	SOCKET, light, w/clear jewel socket includes: LOCKWASHER NUT

FRONT

REF. NO.	PART NO.	SERIAL/MODEL NO.		QTY.	DESCRIPTION
		EFF.	DISC.		
4	260-134	101	304	1	SWITCH, unwired -- POWER ON
	260-199	305		1	SWITCH, unwired -- POWER ON
	- - - -			-	mounting hardware: (not included w/switch)
	210-473			1	NUT, switch, 15/32-32 x 5/64 inch, 12 sided
	210-418			1	NUT, knurled, 15/32-32 x 19/32 inch
	210-902		1	WASHER, .470 ID x 21/32 inch OD	
5	136-036			2	SOCKET, grounding type, 3 conductor
	- - - -			-	mounting hardware for each: (not included w/socket)
	- - - -			2	SCREW
	210-202			2	LUG, solder, SE6
6	- - - -			1	METER
	- - - -			-	mounting hardware: (not included w/meter)
	211-571	X305		3	SCREW, 6-32 x 2-1/2 inches, RHS
	210-011	X305		3	LOCKWASHER, internal, 1/4 inch
	210-407			3	NUT, hex, 6-32 x 1/4 inch
	406-513	X305		1	BRACKET, switch mounting
	337-329	X305		1	SHIELD, meter
	348-003	X305		2	GROMMET, rubber, 5/16 inch
7	260-014			1	SWITCH, unwired -- E line/E out
	- - - -			-	mounting hardware: (not included w/switch)
	210-473			1	NUT, switch, 15/32-32 x 5/64 inch, 12 sided
	210-418			1	NUT, knurled, 15/32-32 x 19/32 inch
	210-902			1	WASHER, .470 ID x 21/32 inch OD

SIDE

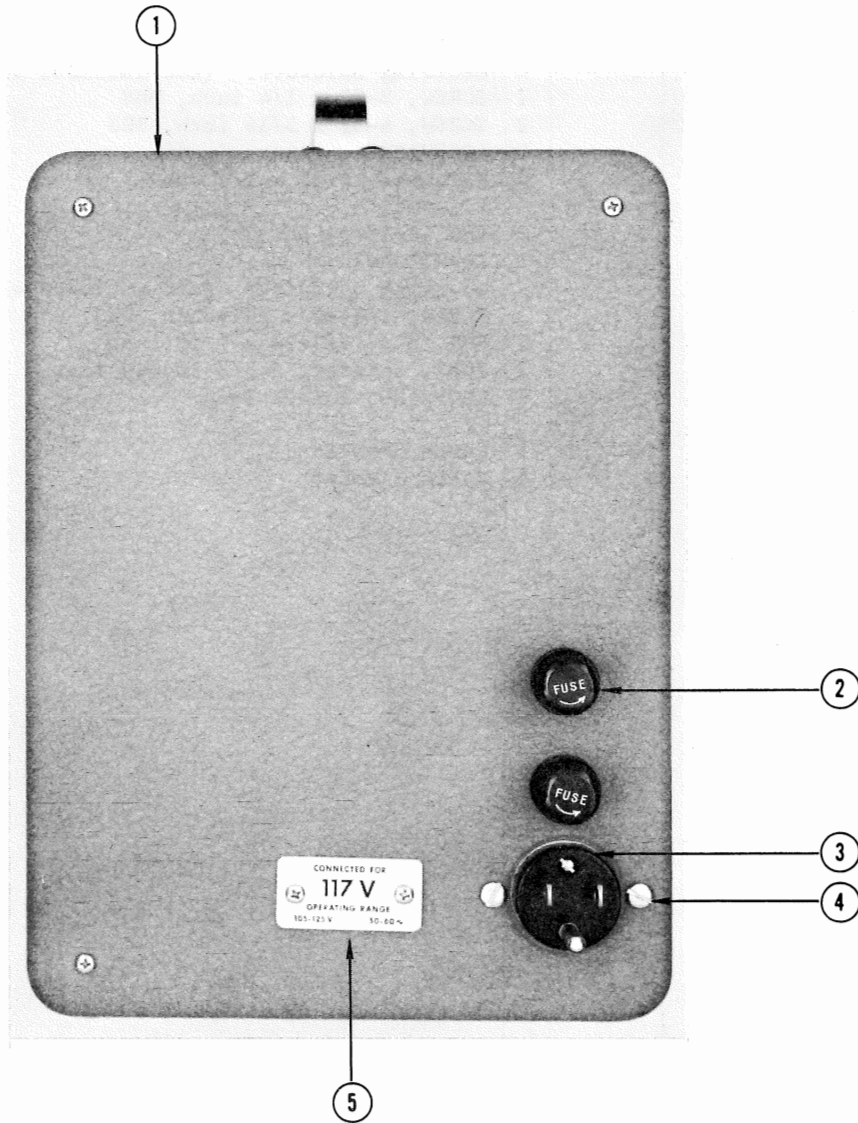


REF. NO.	PART NO.	SERIAL/MODEL NO.		QTY.	DESCRIPTION
		EFF.	DISC.		
1	381-062	101	304	1	BAR
	381-159	305		1	BAR, 8-7/16 inches long
	- - - -			-	mounting hardware: (not included w/bar)
	211-542			4	SCREW, 6-32 x 5/16 inch, THS phillips
	381-084			2	BAR, 1 inch long
2	406-375			1	BRACKET, 5-1/4 x 9-1/8 x 3/8 inch
	- - - -			-	mounting hardware: (not included w/bracket)
	211-538			3	SCREW, 6-32 x 5/16 inch, FHS 100° CSK phillips
	210-006			3	LOCKWASHER, internal, #6
	210-407			3	NUT, hex, 6-32 x 1/4 inch

SIDE

REF. NO.	PART NO.	SERIAL/MODEL NO.		QTY.	DESCRIPTION
		EFF.	DISC.		
3	406-418			1	BRACKET, 1/2 x 3 x 1-3/8 inches
	- - - -			-	mounting hardware: (not included w/bracket)
	212-001			1	SCREW, 8-32 x 1/4 inch, BHS
	211-507			2	SCREW, 6-32 x 5/16 inch, BHS
	210-006			2	LOCKWASHER, internal, #6
	210-407			2	NUT, hex, 6-32 x 1/4 inch
4	210-202			3	LUG, solder, SE6
5	- - - -			1	TRANSFORMER
	- - - -			-	mounting hardware: (not included w/transformer)
	213-056			3	SCREW, 1/4-20 x 3 inches, FHS
	210-411			3	NUT, hex, 1/4-20 x 7/16 inch
	166-135			3	TUBE, spacing, 2-3/8 inches long
	376-021			1	COUPLING, 1 inch long
6	179-225	101	304	1	CABLE HARNESS
	179-443	305		1	CABLE HARNESS

REAR

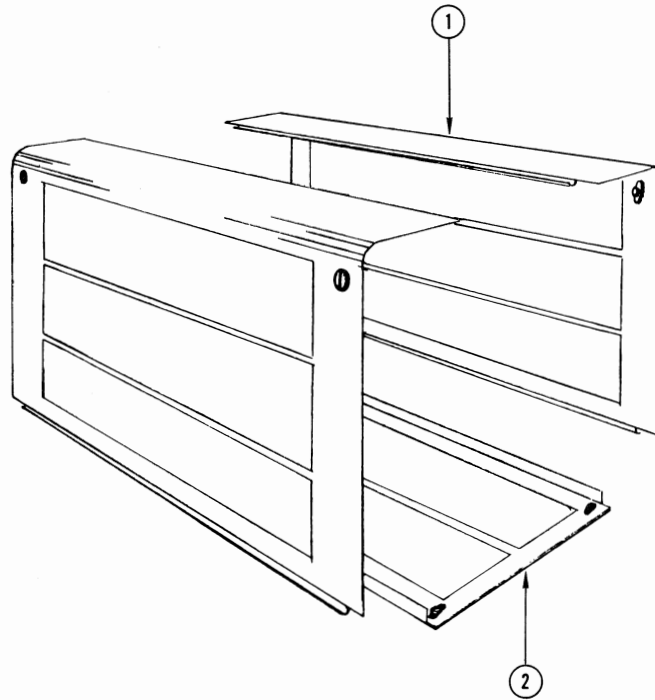


REF. NO.	PART NO.	SERIAL/MODEL NO.		QTY.	DESCRIPTION
		EFF.	DISC.		
1	386-869	101	304	1	PLATE, rear
	387-117	305		1	PLATE, rear overlay
	- - - -			-	mounting hardware: (not included w/plate)
	213-088			3	SCREW, thread forming, #4 x 1/4 inch, PHS phillips
	386-868			1	PLATE, subpanel, rear

REAR

REF. NO.	PART NO.	SERIAL/MODEL NO.		QTY.	DESCRIPTION
		EFF.	DISC.		
2	352-002			2	HOLDER, fuse, assembly
	- - - -			-	each assembly includes:
	200-582			1	CAP, fuse
	352-010			1	HOLDER, fuse
	210-873			1	WASHER, rubber
3	- - - -			1	NUT
	131-102			1	CONNECTOR, chassis mount, 3 wire (See Ref. #4)
	- - - -			-	connector includes:
	129-041			1	POST, ground
	200-185			1	COVER
	214-078			1	PIN
	377-041			1	INSERT
	386-933			1	PLATE
	210-003			2	LOCKWASHER, internal, #4
	210-551			2	NUT, hex, 4-40 x 1/4 inch
4	- - - -			-	mounting hardware: (not included w/connector)
	211-504			2	SCREW, 6-32 x 1/4 inch, BHS
	210-803			2	WASHER, 6L x 3/8 inch
	210-407			2	NUT, hex, 6-32 x 1/4 inch
5	334-649			1	TAG, voltage rating
	- - - -			-	mounting hardware: (not included w/tag)
	213-088			2	SCREW, thread forming, #4 x 1/4 inch, PHS phillips

CABINET



REF. NO.	PART NO.	SERIAL/MODEL NO.		QTY.	DESCRIPTION
		EFF.	DISC.		
1	386-539	101	304	2	PLATE, cabinet side
	387-027	305		2	PLATE, cabinet side
	- - - -			-	each plate includes:
	105-009			2	STOP, 5/32 ID x 11/32 inch OD
	210-470			2	NUT, cabinet fastener
	210-870			2	WASHER, 9/64 ID x 5/16 inch OD
	213-040			2	SCREW, fastening
2	386-538	101	304	1	PLATE, cabinet bottom
	387-028	305		1	PLATE, cabinet bottom
	- - - -			-	plate includes:
	348-013			4	FOOT, rubber
	- - - -			-	mounting hardware: (not included w/plate)
	211-542			4	SCREW, 6-32 x 5/16 inch, THS phillips