

# MECHANICAL PARTS LIST

## CONTENTS

FRONT	PAGE 2
SIDE	PAGE 4
REAR	PAGE 6
CABINET	PAGE 8

**PUBLICATION NO.**

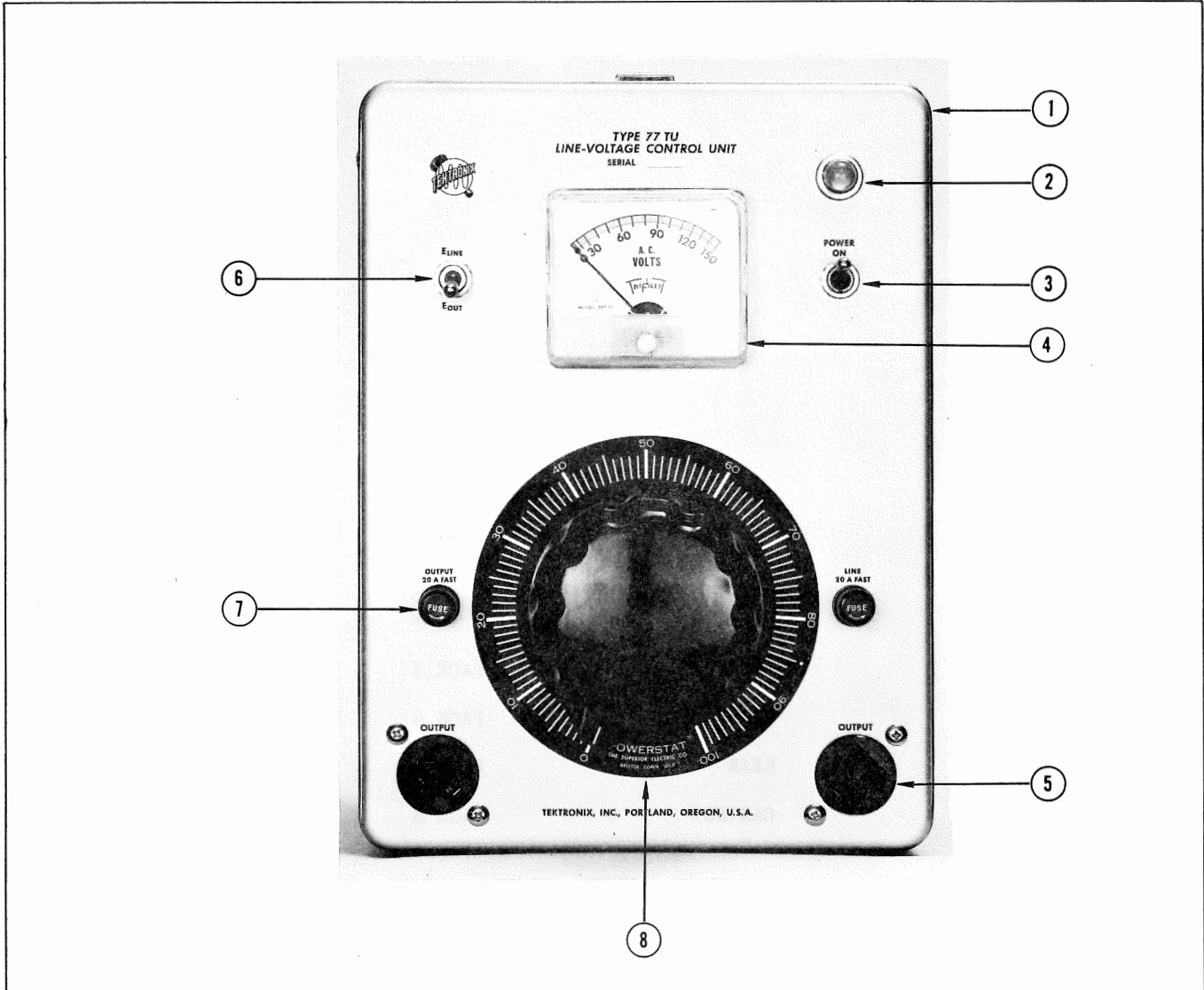
062-215

July 1964



©, 1964, Tektronix, Inc.,  
All rights reserved.

# FRONT

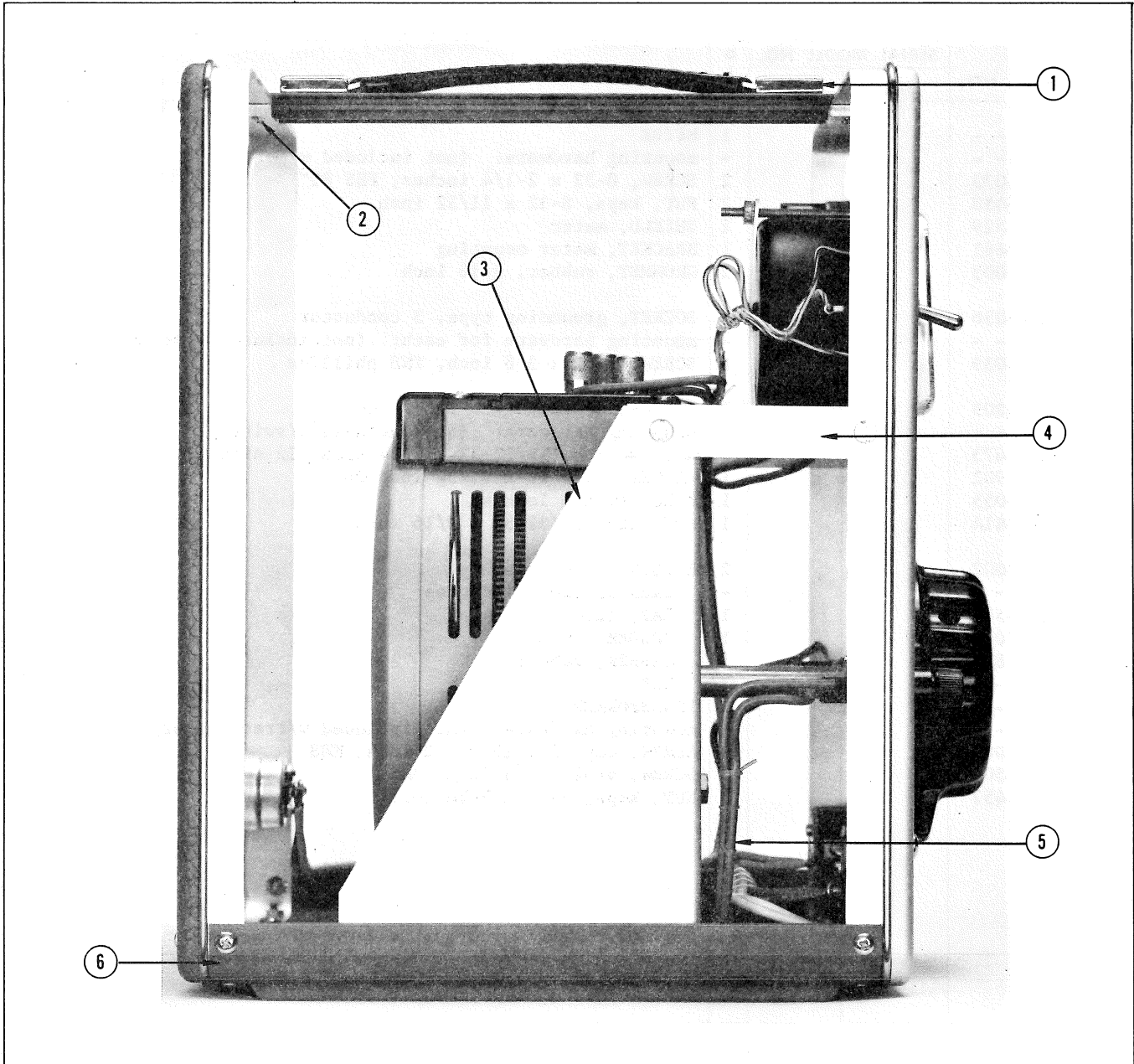


REF. NO.	PART NO.	SERIAL/MODEL NO.		QTY.	DESCRIPTION
		EFF.	DISC.		
1	333-639			1	PANEL, front
	387-360			1	PLATE, subpanel, front plate includes:
2	354-057			1	RING, ornamental
	136-028			1	SOCKET, light, w/clear jewel socket includes:
3				1	NUT
				1	LOCKWASHER
	260-143			1	SWITCH, unwired -- POWER ON mounting hardware: (not included w/switch)
				1	NUT, switch, 15/32 -32 x 5/64 inch, 12 sided
	210-473			1	WASHER, .470 ID x 21/32 inch OD
	210-902			1	RING, switch locking
	354-055			1	NUT, hex, 15/32-32 x 9/16 inch
	210-414 210-202			6	LUG, solder, SE6

## FRONT

REF. NO.	PART NO.	SERIAL/MODEL NO.		QTY.	DESCRIPTION
		EFF.	DISC.		
4	- - - -			1	METER
	- - - -			-	mounting hardware: (not included w/meter)
	212-073			2	SCREW, 8-32 x 2-1/4 inches, FHS 82 <sup>o</sup>
	210-458			2	NUT, keps, 8-32 x 11/32 inch
	337-329			1	SHIELD, meter
	406-681			1	BRACKET, meter mounting
	348-003			2	GROMMET, rubber, 5/16 inch
5	136-036			2	SOCKET, grounding type, 3 conductor
	- - - -			-	mounting hardware for each: (not included w/socket)
	212-039			2	SCREW, 8-32 x 3/8 inch, THS phillips
6	260-209			1	SWITCH, unwired -- E Line/E Out
	- - - -			-	mounting hardware: (not included w/switch)
	210-473			1	NUT, switch, 15/32-32 x 5/64 inch, 12 sided
	210-902			1	WASHER, .470 ID x 21/32 inch OD
	354-055			1	RING, switch locking
	210-414			1	NUT, hex, 15/32-32 x 9/16 inch
	7	352-002			2
- - - -				-	each assembly includes:
200-582				1	CAP, fuse
352-010				1	HOLDER, fuse
210-873				1	WASHER, rubber
- - - -				1	NUT
8	- - - -			1	TRANSFORMER
	- - - -			-	mounting hardware: (not included w/transformer)
	213-081			3	SCREW, cap, 1/4-28 x 1/2 inch, HHS
	211-504			3	SCREW, 6-32 x 1/4 inch, BHS
	210-457			3	NUT, keps, 6-32 x 5/16 inch

# SIDE

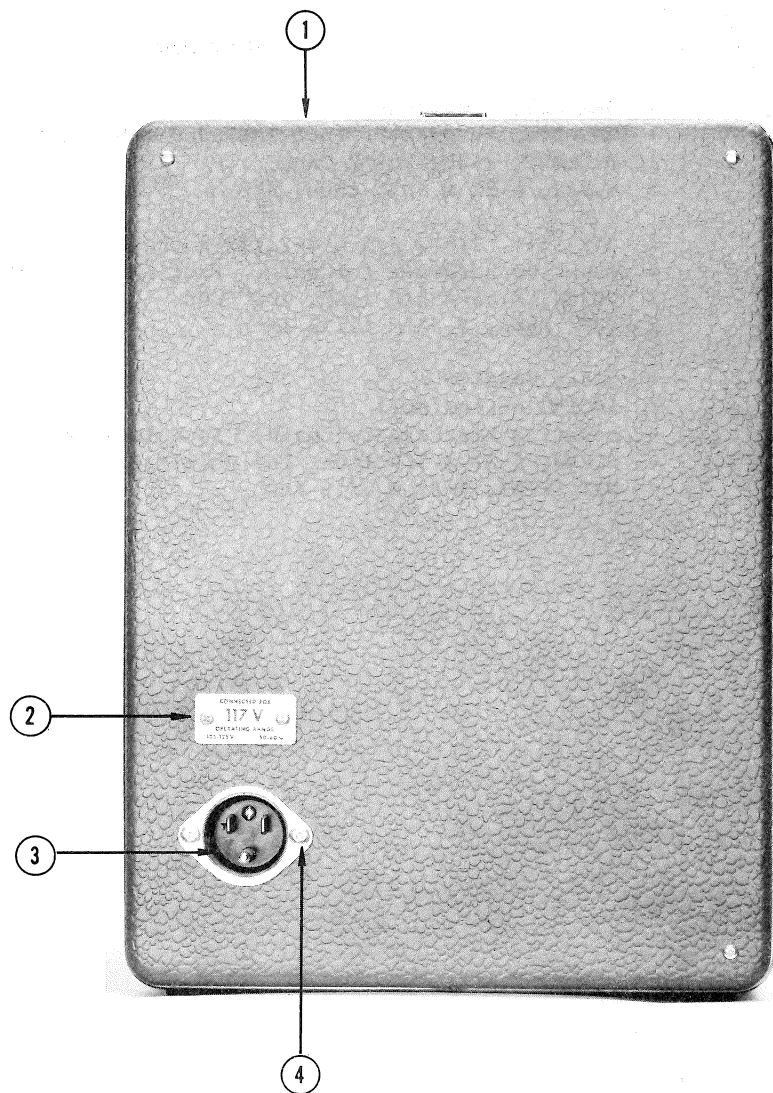


REF. NO.	PART NO.	SERIAL/MODEL NO.		QTY.	DESCRIPTION
		EFF.	DISC.		
1	381-163	101	214	1	BAR, top support (See Ref. #2)
	- - - -			-	bar includes:
	367-001	101	214	1	HANDLE, leather
	343-052	101	214	2	CLAMP, handle
	381-233	215		1	BAR, top support
	- - - -			-	bar includes:
	367-037	215		1	HANDLE
	344-098	215		2	CLIP
	212-518	X215		2	SCREW, 10-32 x 5/16 inch, BHB
	- - - -			-	mounting hardware: (not included w/bar)
2	211-537			4	SCREW, 6-32 x 3/8 inch, THS phillips
	381-084			2	BAR, 3/16 x 1/2 x 1 inch

## SIDE

REF. NO.	PART NO.	SERIAL/MODEL NO.		QTY.	DESCRIPTION
		EFF.	DISC.		
3	406-669			1	BRACKET, powerstat
	- - - -			-	mounting hardware: (not included w/bracket)
	348-005			1	GROMMET, rubber, 1/2 inch
	211-507			4	SCREW, 6-32 x 5/16 inch, BHS
4	381-183			2	BAR, tie, 1/8 x 3/4 x 3-23/32 inches
	- - - -			-	mounting hardware for each: (not included w/bar)
	212-040			2	SCREW, 8-32 x 3/8 inch, 100° FHS
	210-458			2	NUT, keps, 8-32 x 11/32 inch
5	179-514			1	CABLE HARNESS
6	122-093			2	ANGLE, bottom rail
	- - - -			-	mounting hardware for each: (not included w/angle)
	211-537			4	SCREW, 6-32 x 3/8 inch, THS phillips
	210-457			4	NUT, keps, 6-32 x 5/16 inch

# REAR

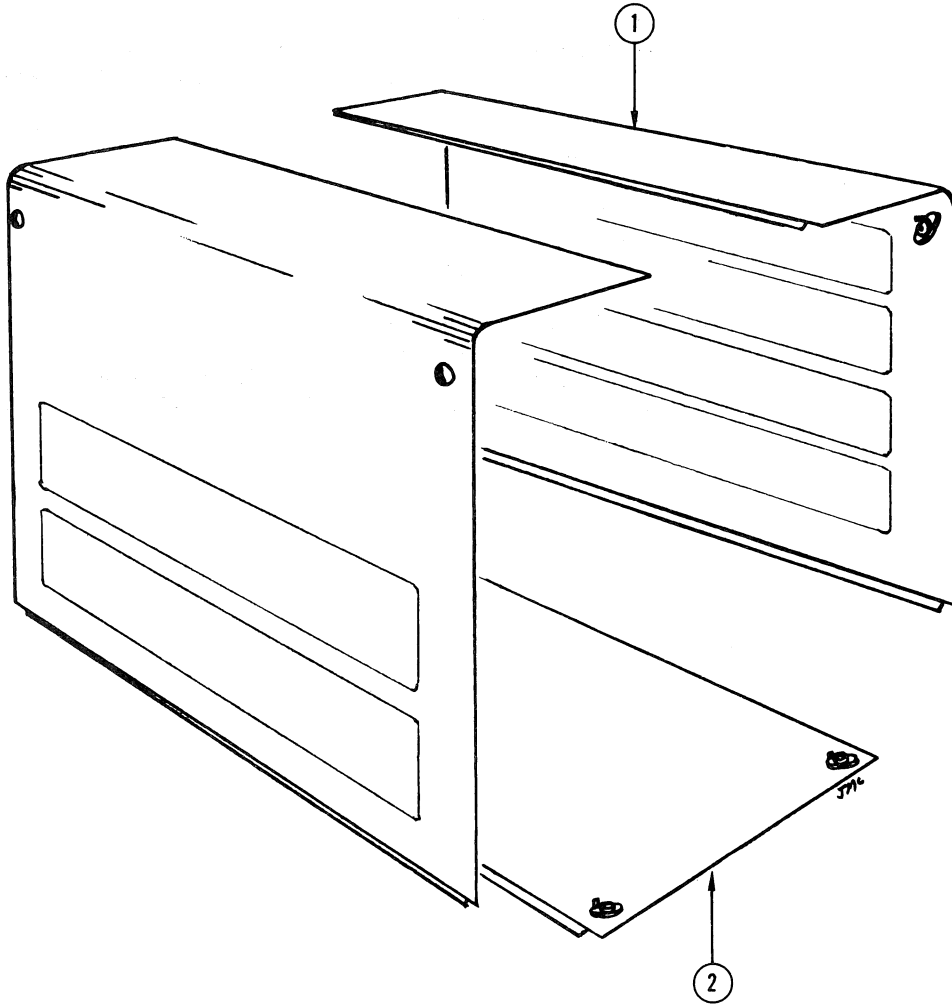


REF. NO.	PART NO.	SERIAL/MODEL NO.		QTY.	DESCRIPTION
		EFF.	DISC.		
1	387-359			1	PLATE, overlay, rear
	387-538			1	PLATE, subpanel, rear
	- - - -			-	plate includes:
	354-057			1	RING, ornamental
	- - - -			-	mounting hardware: (not included w/plate)
	213-035			3	SCREW, thread cutting, 4-40 x 1/4 inch, PHS phillips

## REAR

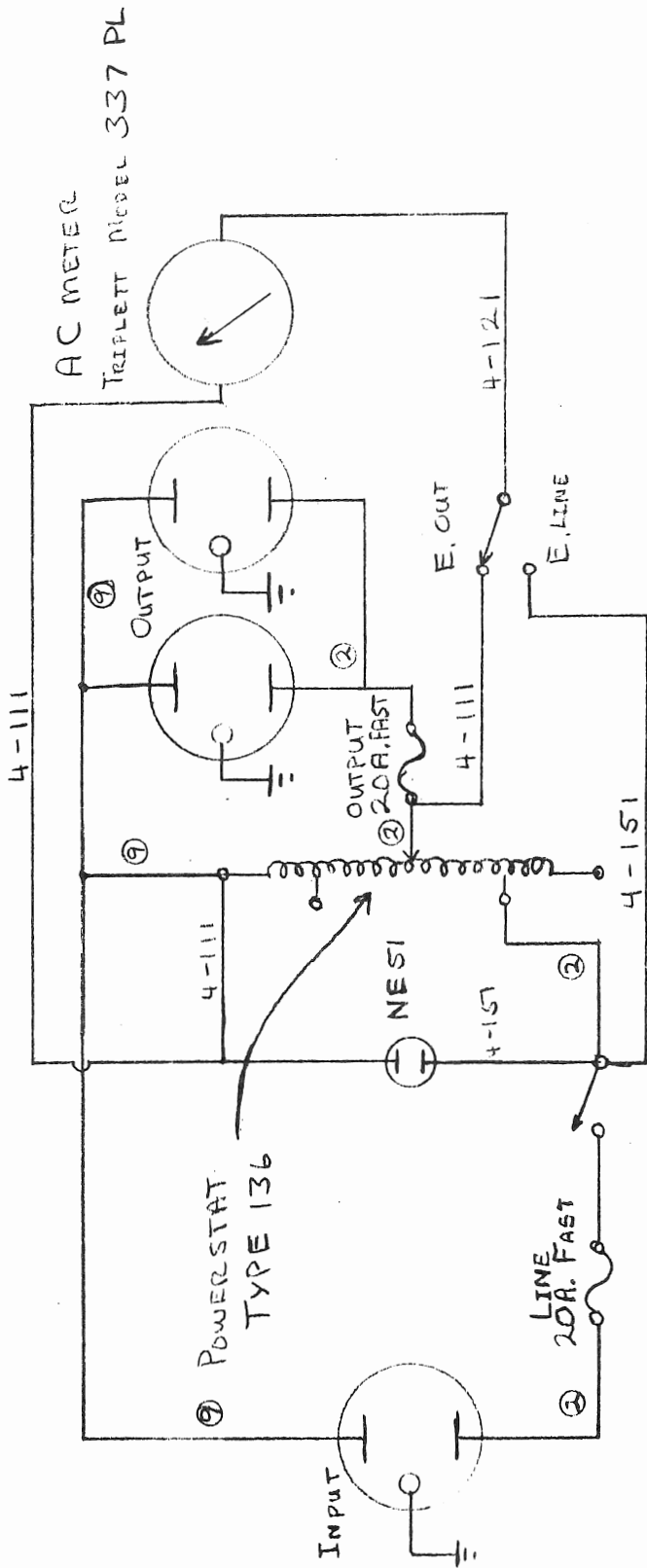
REF. NO.	PART NO.	SERIAL/MODEL NO.		QTY.	DESCRIPTION
		EFF.	DISC.		
2	334-649			1	TAG, voltage rating
	213-035			-	mounting hardware: (not included w/tag)
3	131-150			2	SCREW, thread cutting, 4-40 x 1/4 inch, PHS phillips
	129-041			1	CONNECTOR, chassis mount assembly (See Ref. #4)
	200-185			-	assembly includes:
	205-014			1	POST, ground
	214-078			1	COVER
	377-041			1	SHELL
	210-004			1	PIN, connecting
	210-551			1	INSERT
				2	LOCKWASHER, internal, #4
				2	NUT, hex, 4-40 x 1/4 inch
4	213-104			-	mounting hardware: (not included w/connector)
				2	SCREW, thread forming, 6-32 x 3/8 inch, THS phillips

# CABINET



REF. NO.	PART NO.	SERIAL/MODEL NO.		QTY.	DESCRIPTION
		EFF.	DISC.		
1	387-042			2	PLATE, cabinet side
	- - - -			-	each plate includes:
	105-007			2	STOP
	210-480			2	NUT, latch, nylon
	210-847			2	WASHER, nylon
	213-033			2	SCREW, fastening
2	387-043			1	PLATE, cabinet, bottom
	- - - -			-	mounting hardware: (not included w/plate)
	211-504			4	SCREW, 6-32 x 1/4 inch, BHS





TU-77

