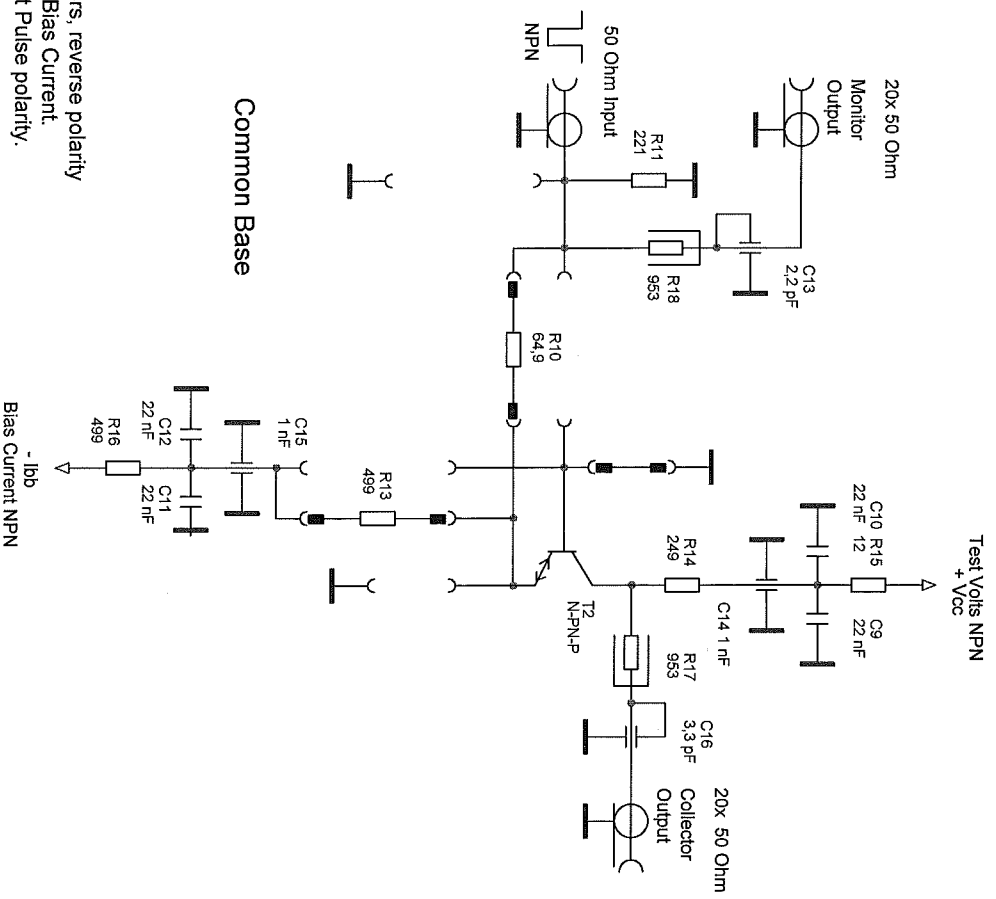
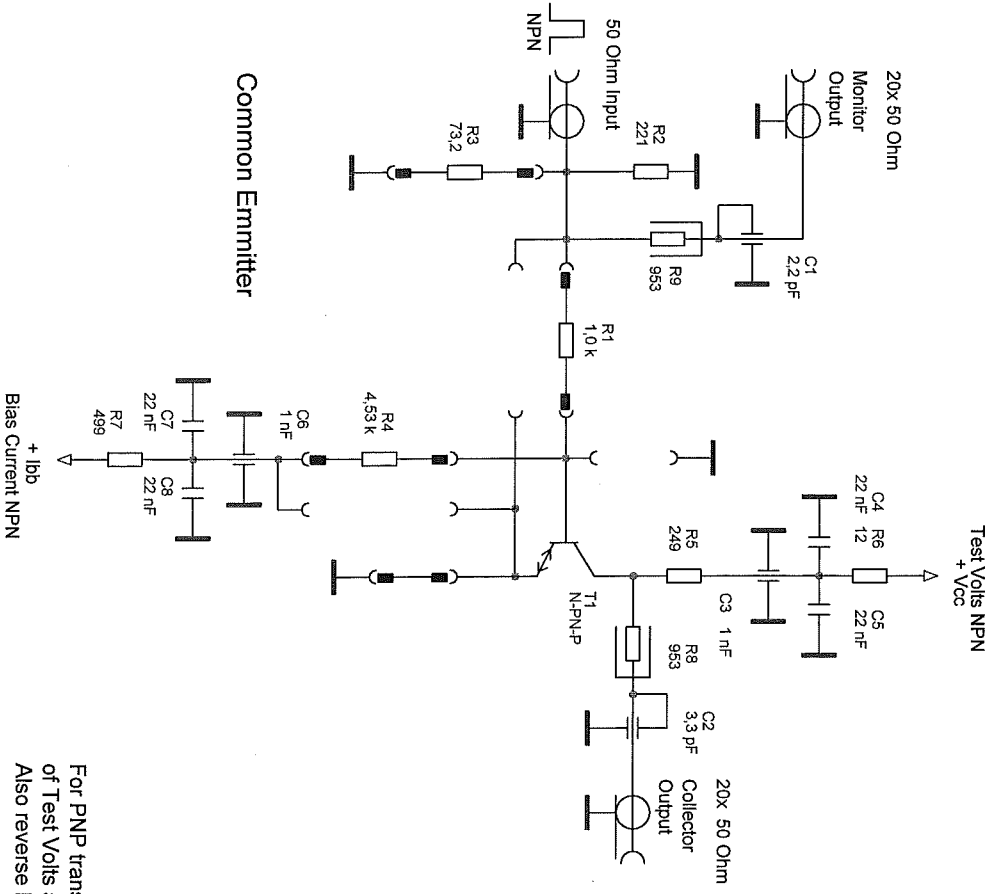


# Tektronix 016-0057-00



For PNP transistors, reverse polarity  
of Test Volts and Bias Current.  
Also reverse Input Pulse polarity.

Title		Tektronix 016-0057-00 / common Emitter & common Base	
Size	Document Number	Rev	
A4	TEK016-057.DSN	A	
Date:	Thursday, August 13, 2009	Sheet	1 of 1