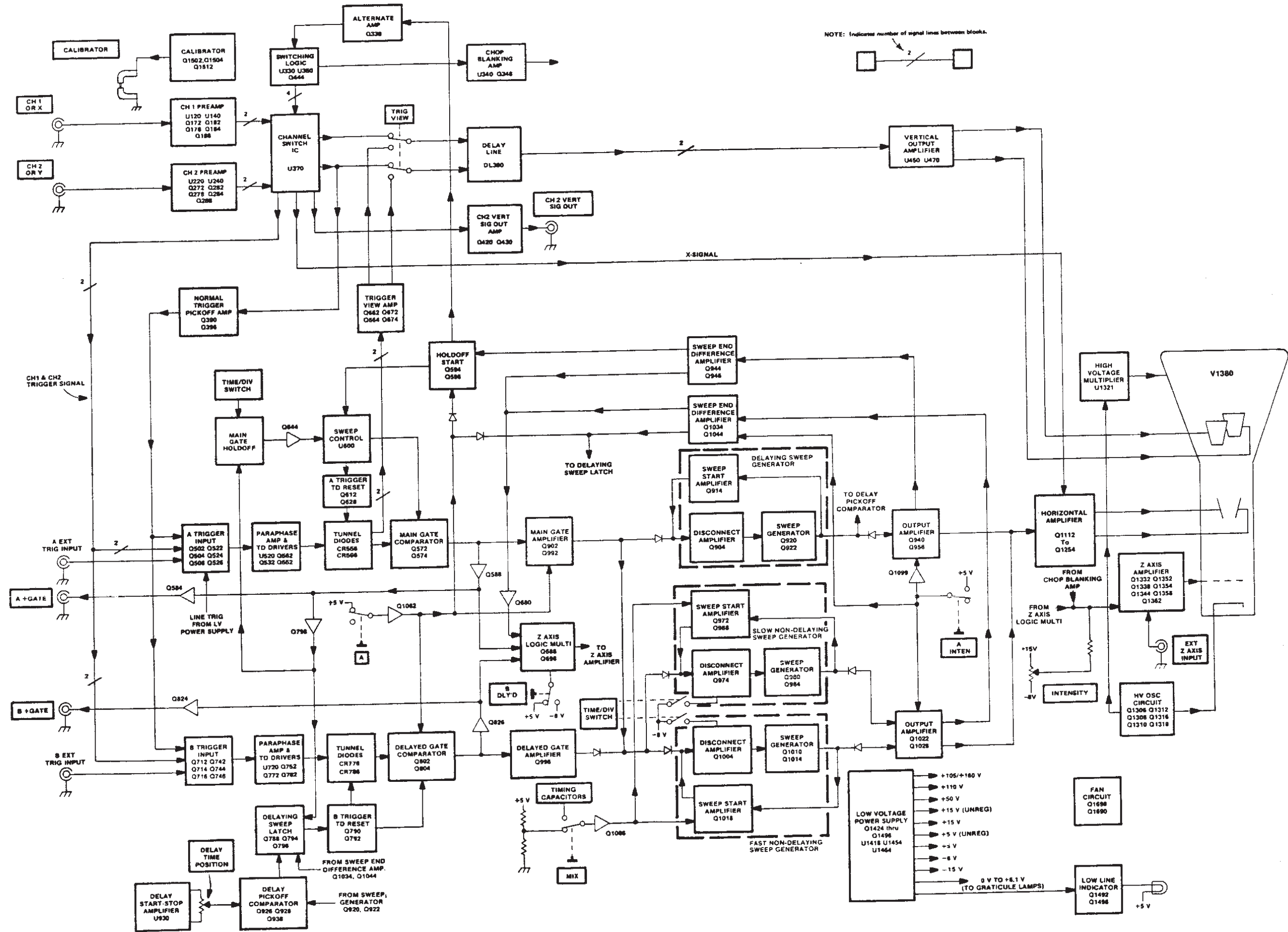
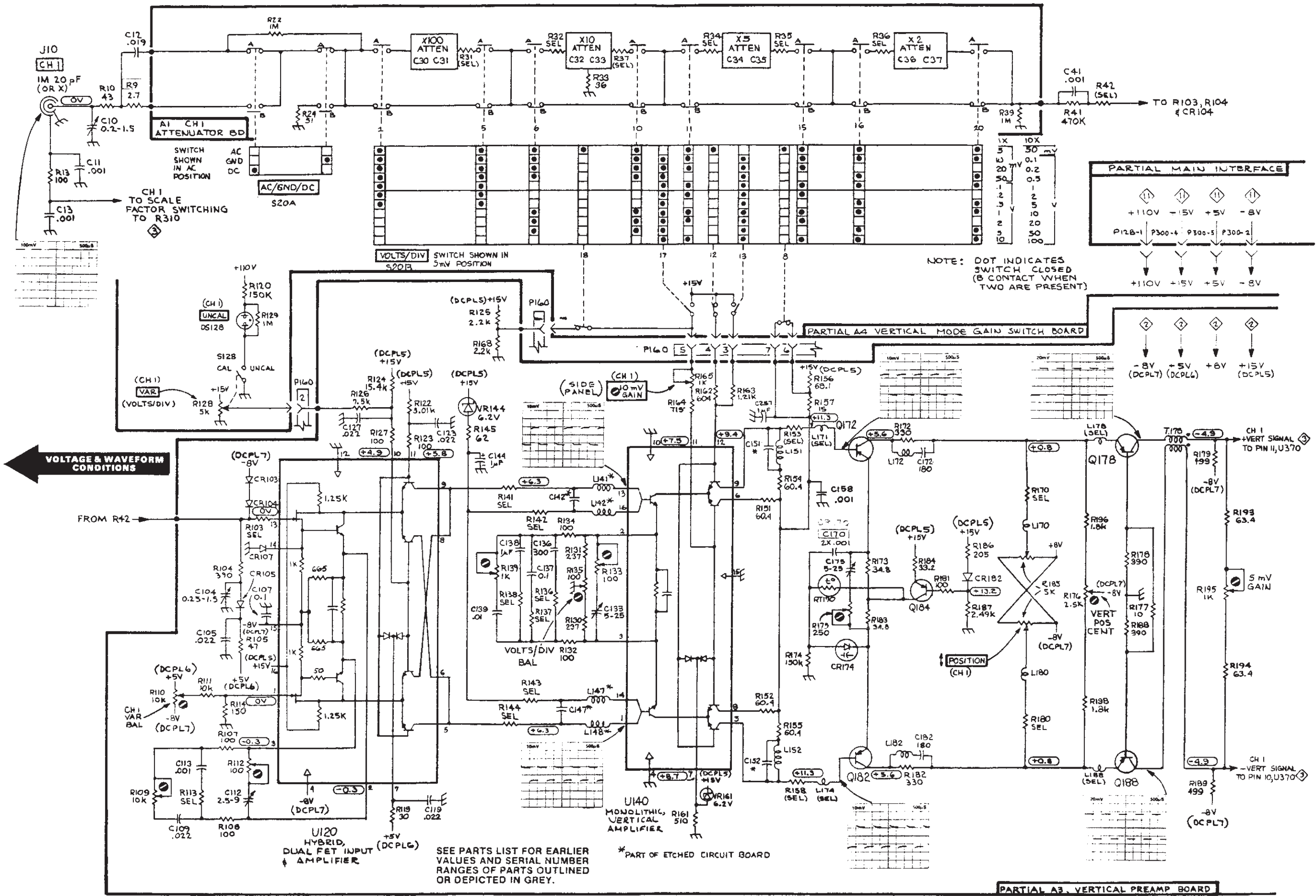
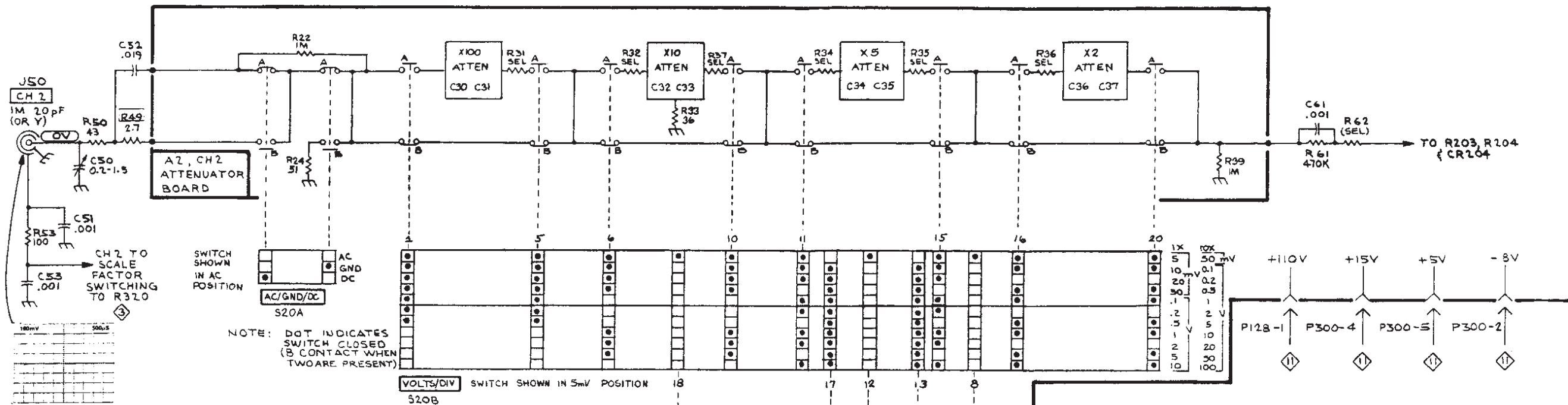


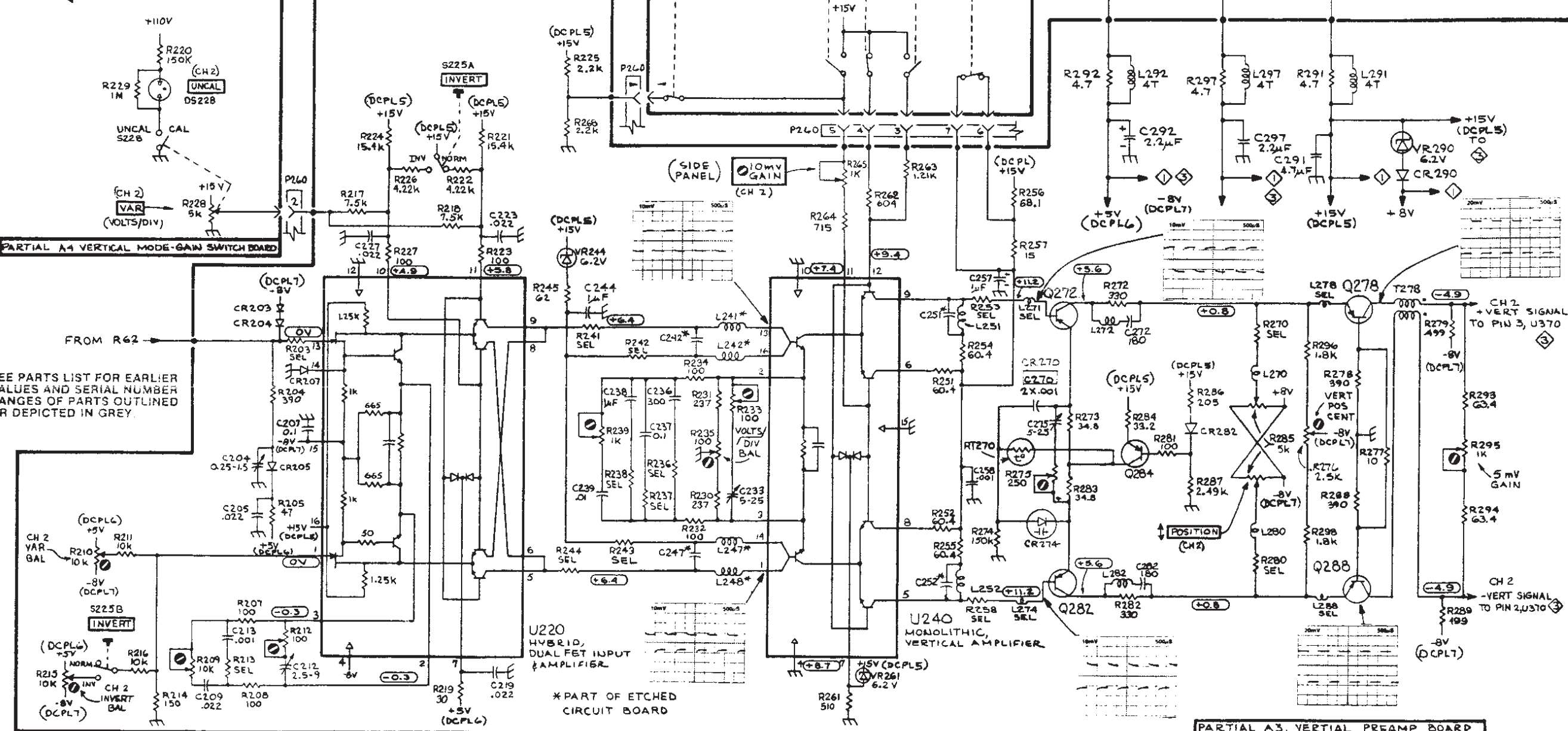
475A BLOCK DIAGRAM





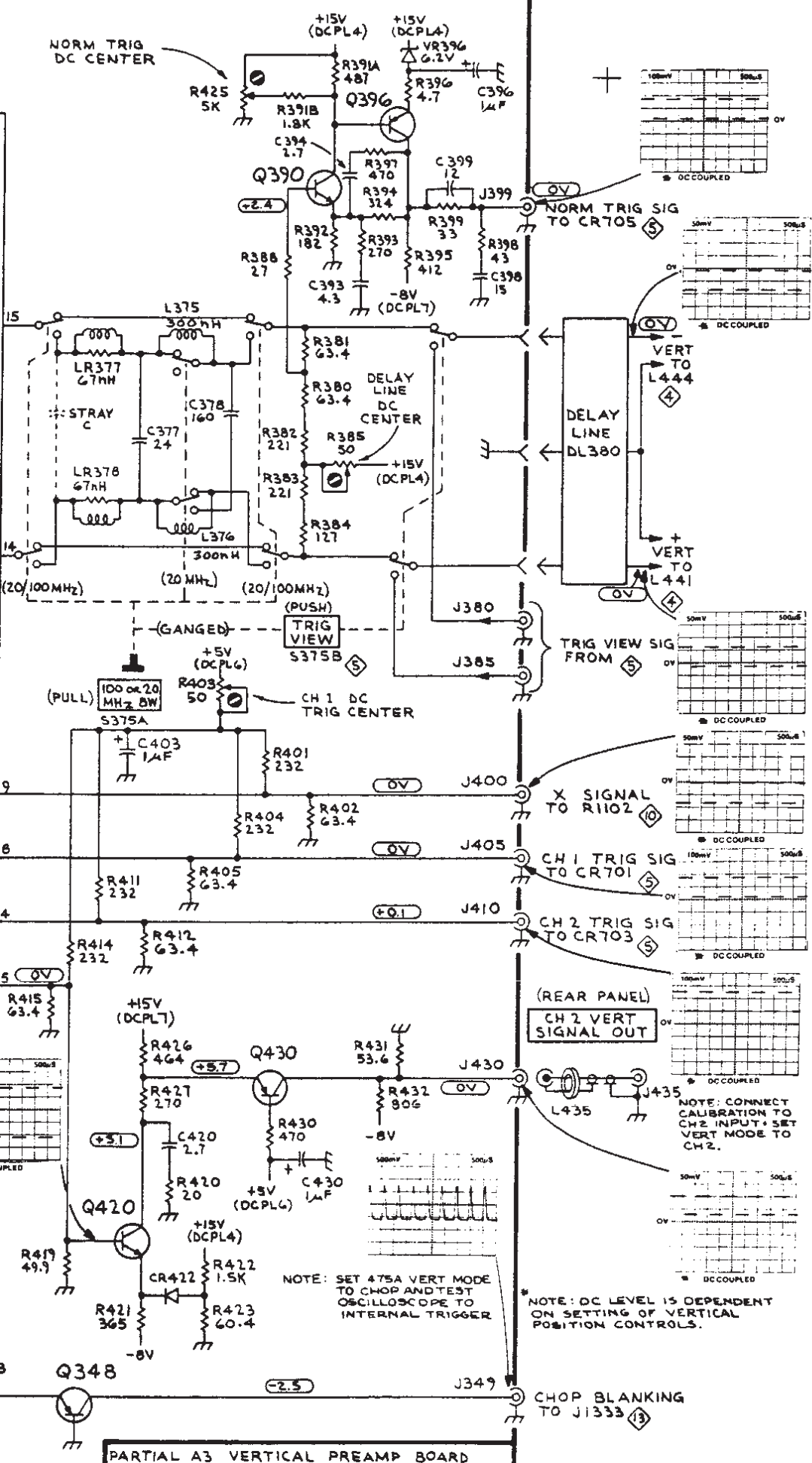
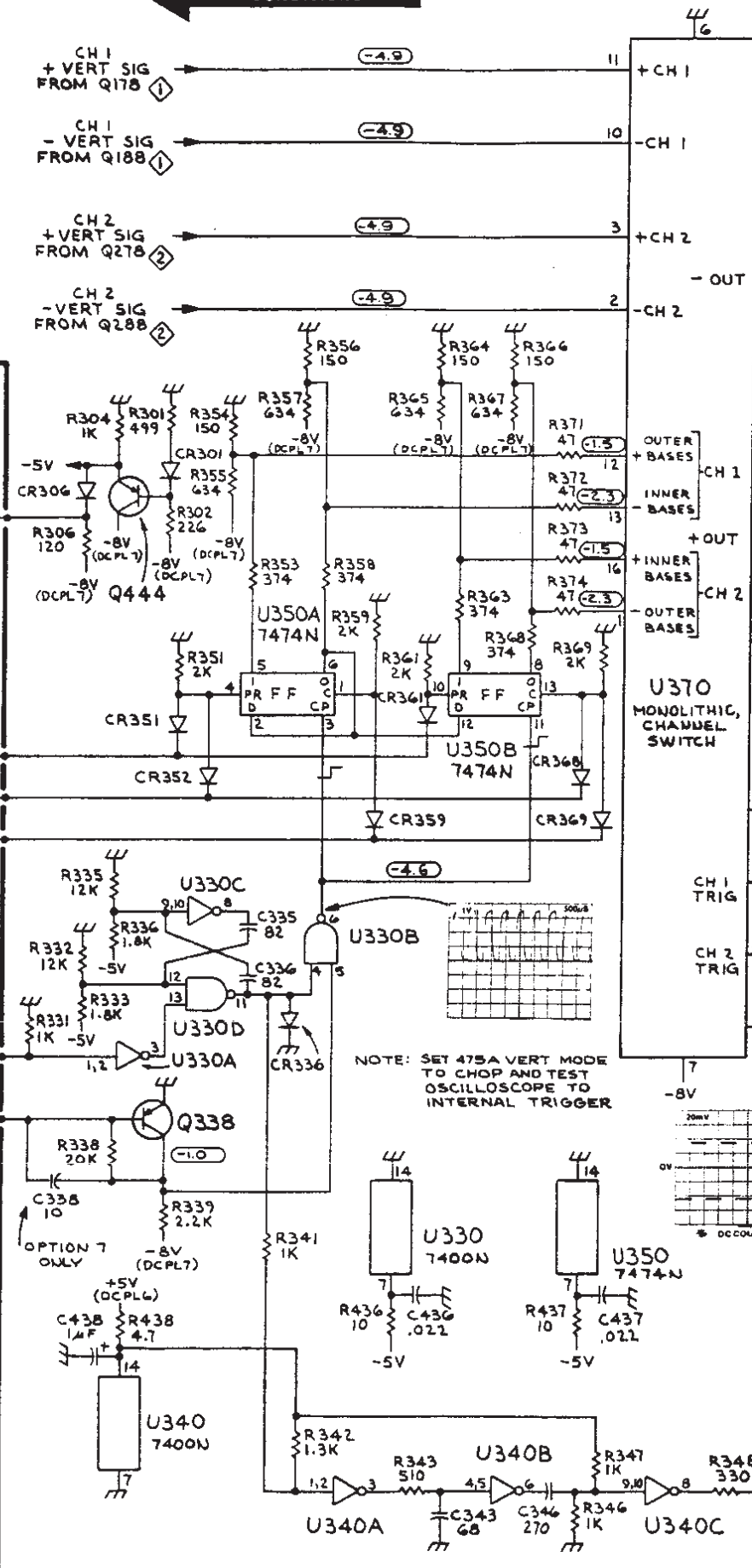
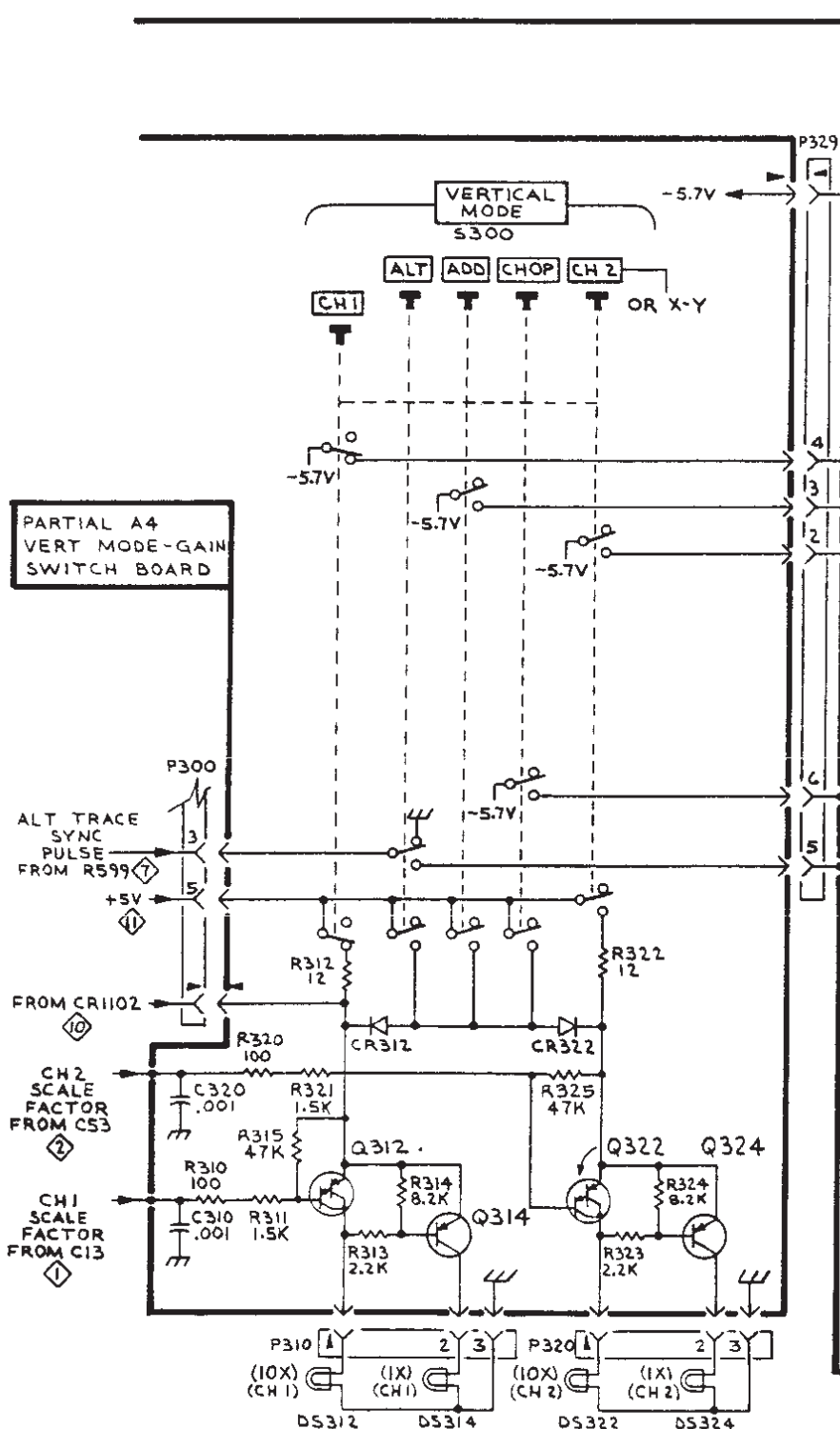
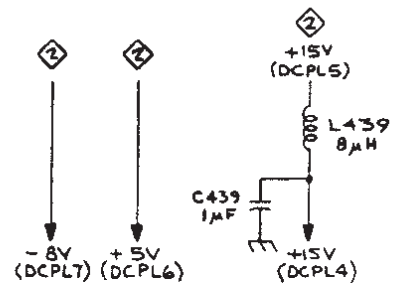


VOLTAGE & WAVEFORM CONDITIONS



SEE PARTS LIST FOR EARLIER VALUES AND SERIAL NUMBER RANGES OF PARTS OUTLINED OR DEPICTED IN GREY.

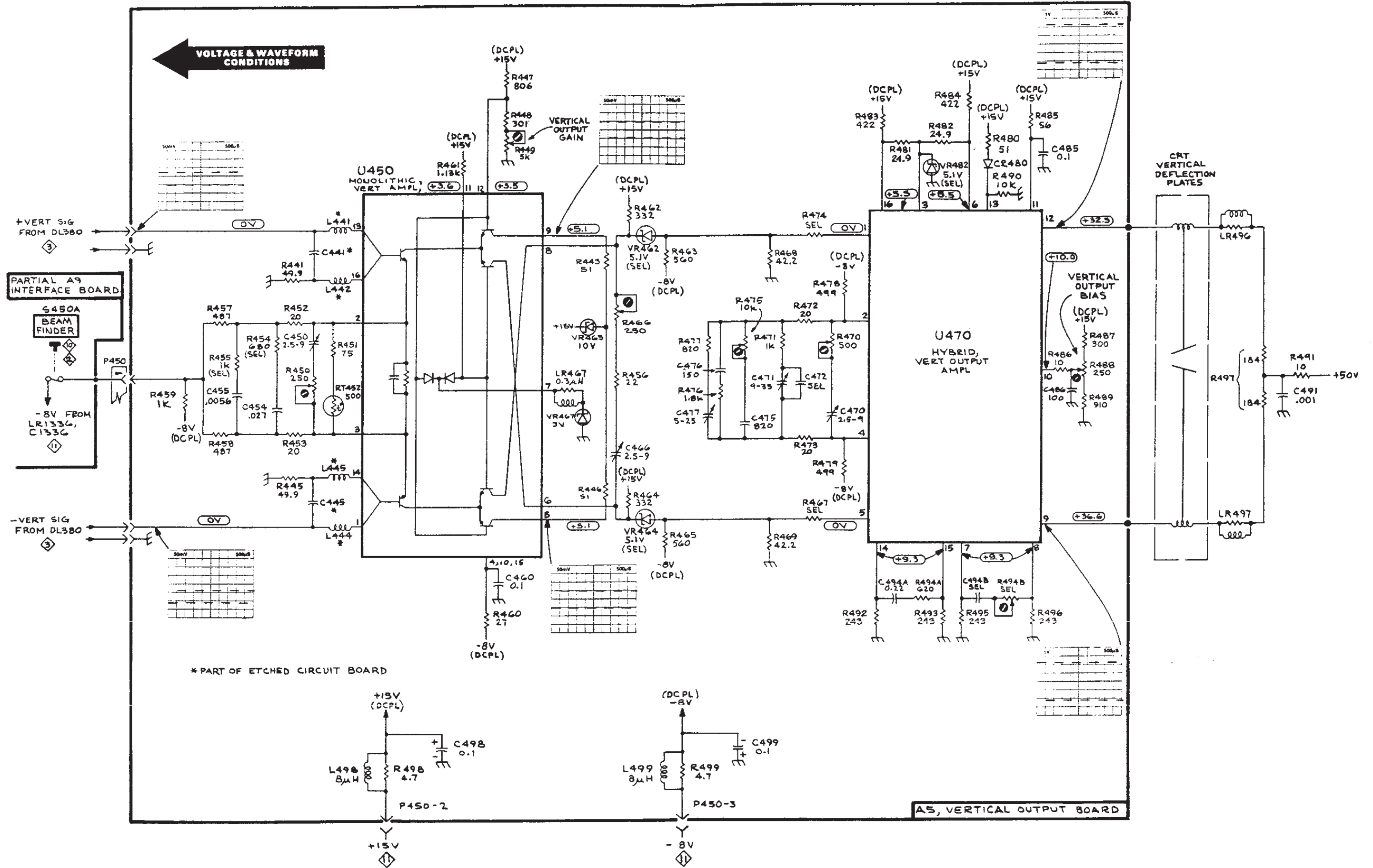
VOLTAGE & WAVEFORM CONDITIONS

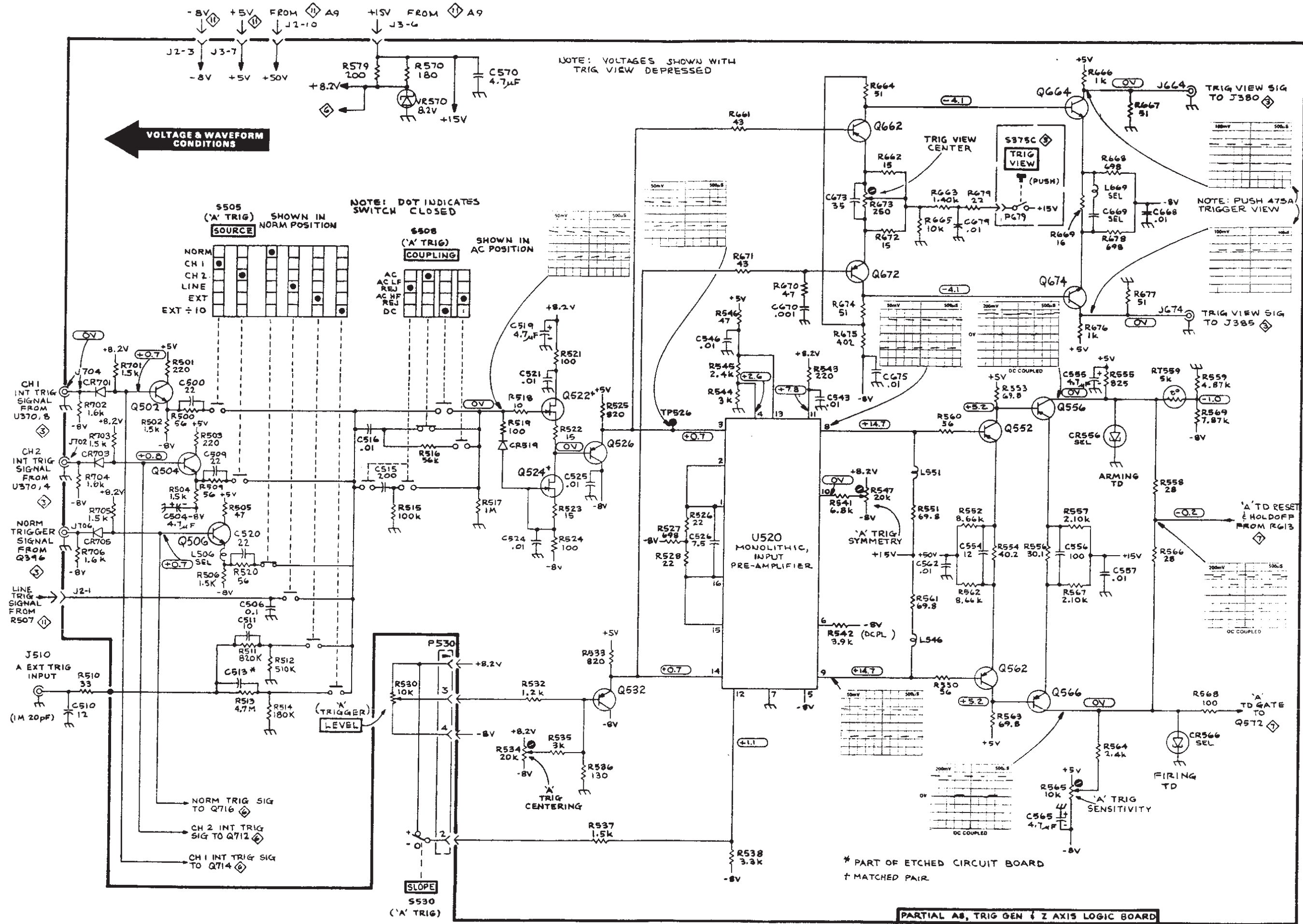


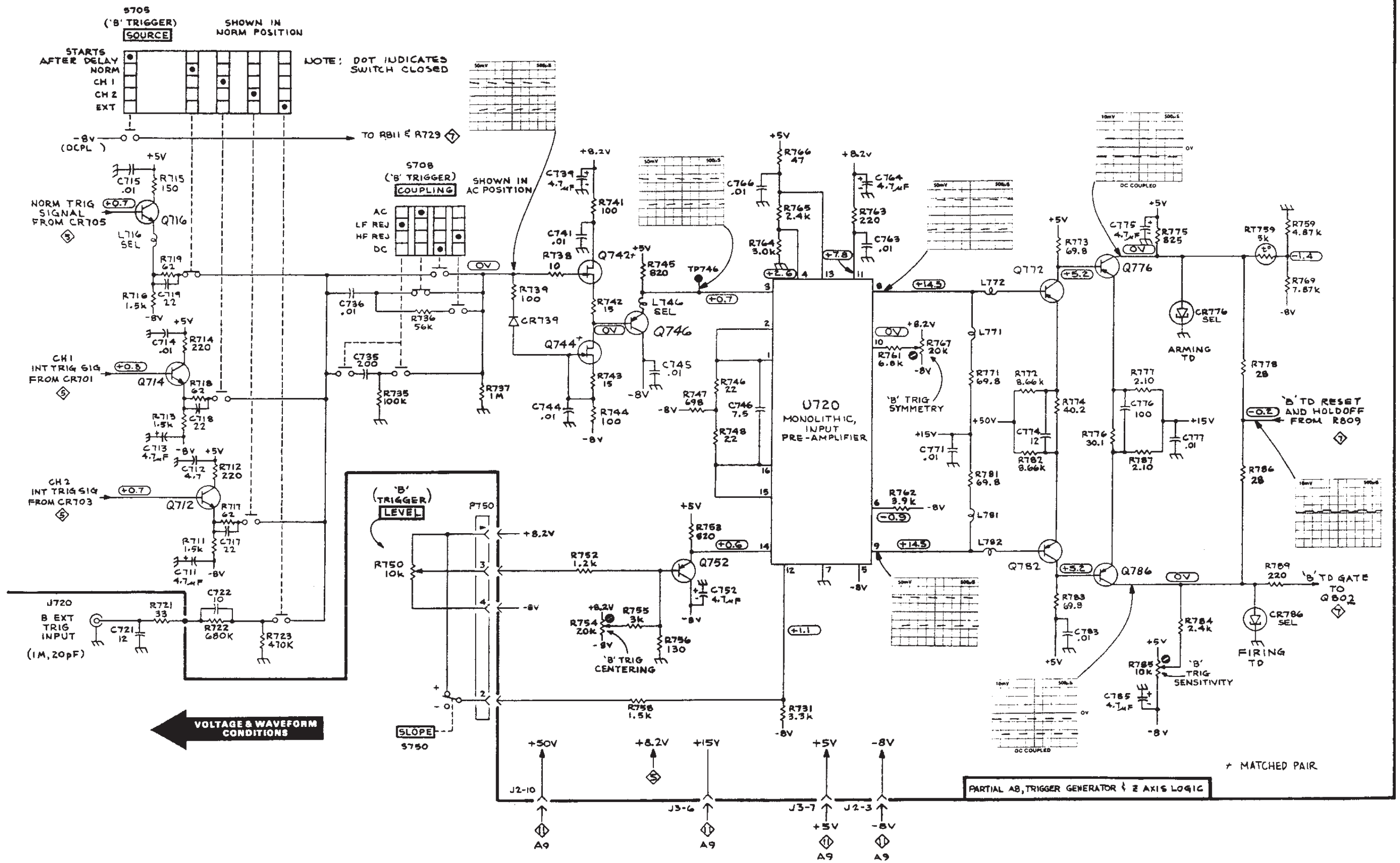
PARTIAL A4
VERT MODE-GAIN
SWITCH BOARD

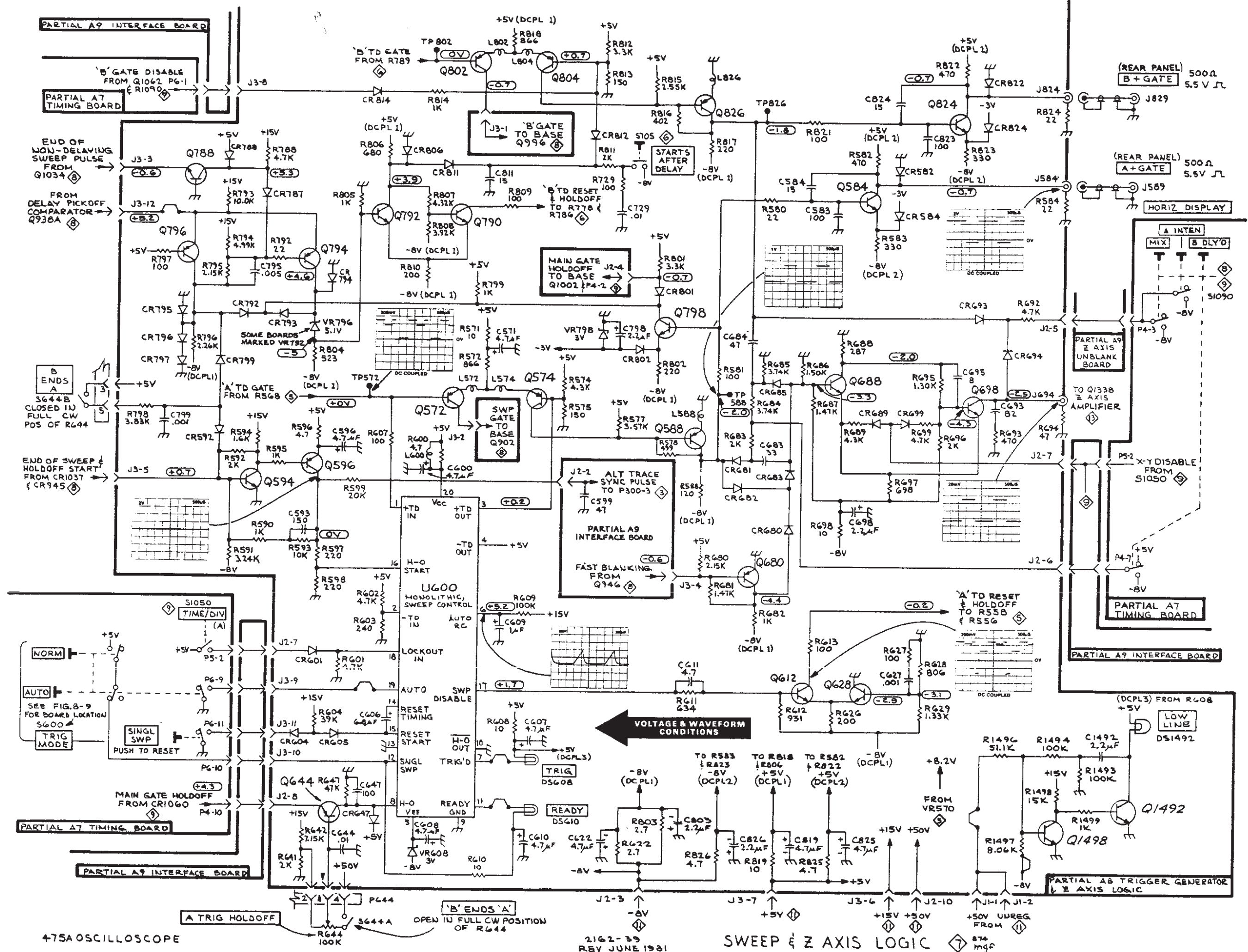
PARTIAL A3 VERTICAL PREAMP BOARD

(1862)2162-35
REV A, FEB 1979





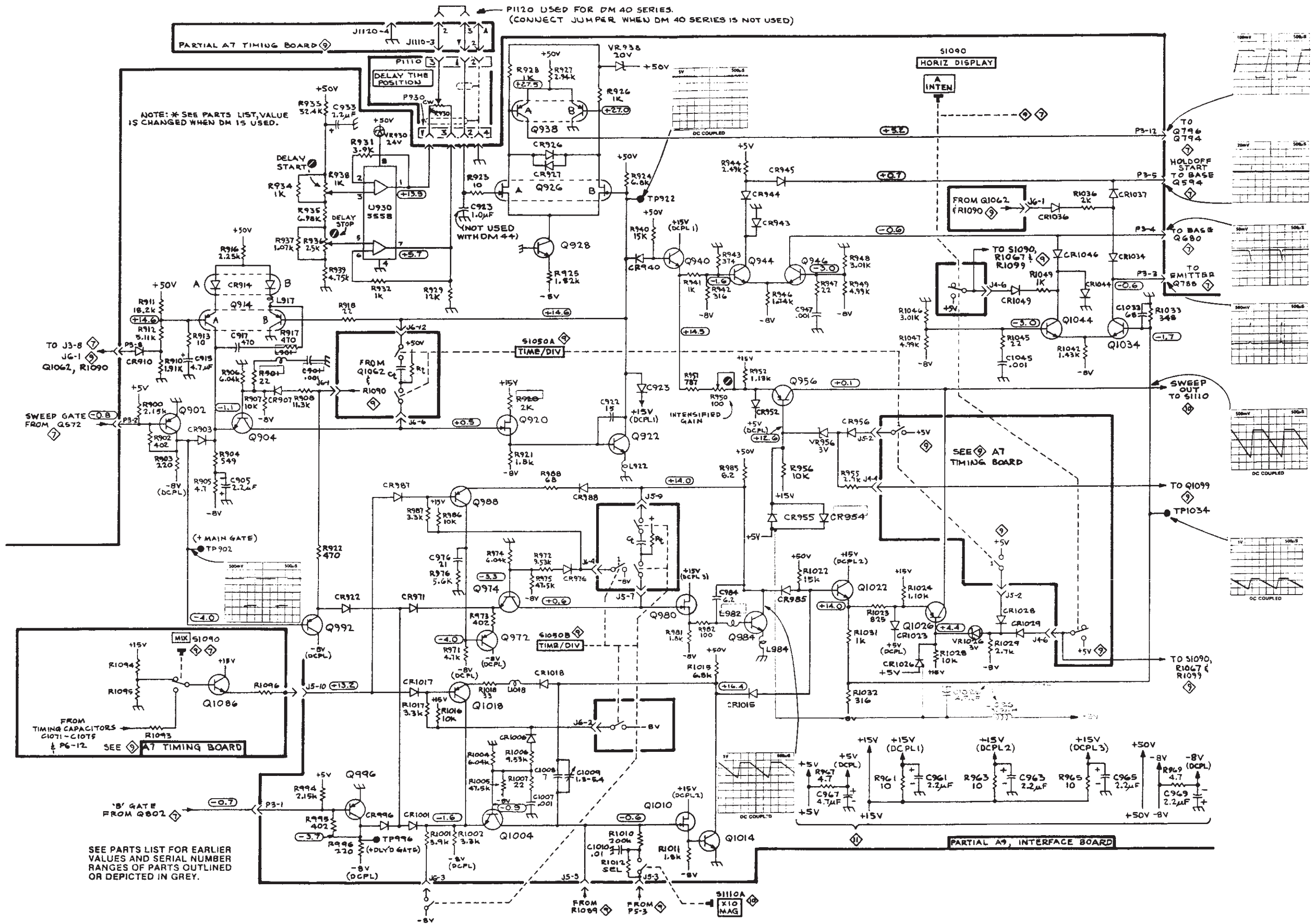




475A OSCILLOSCOPE

2162-39 REV JUNE 1981

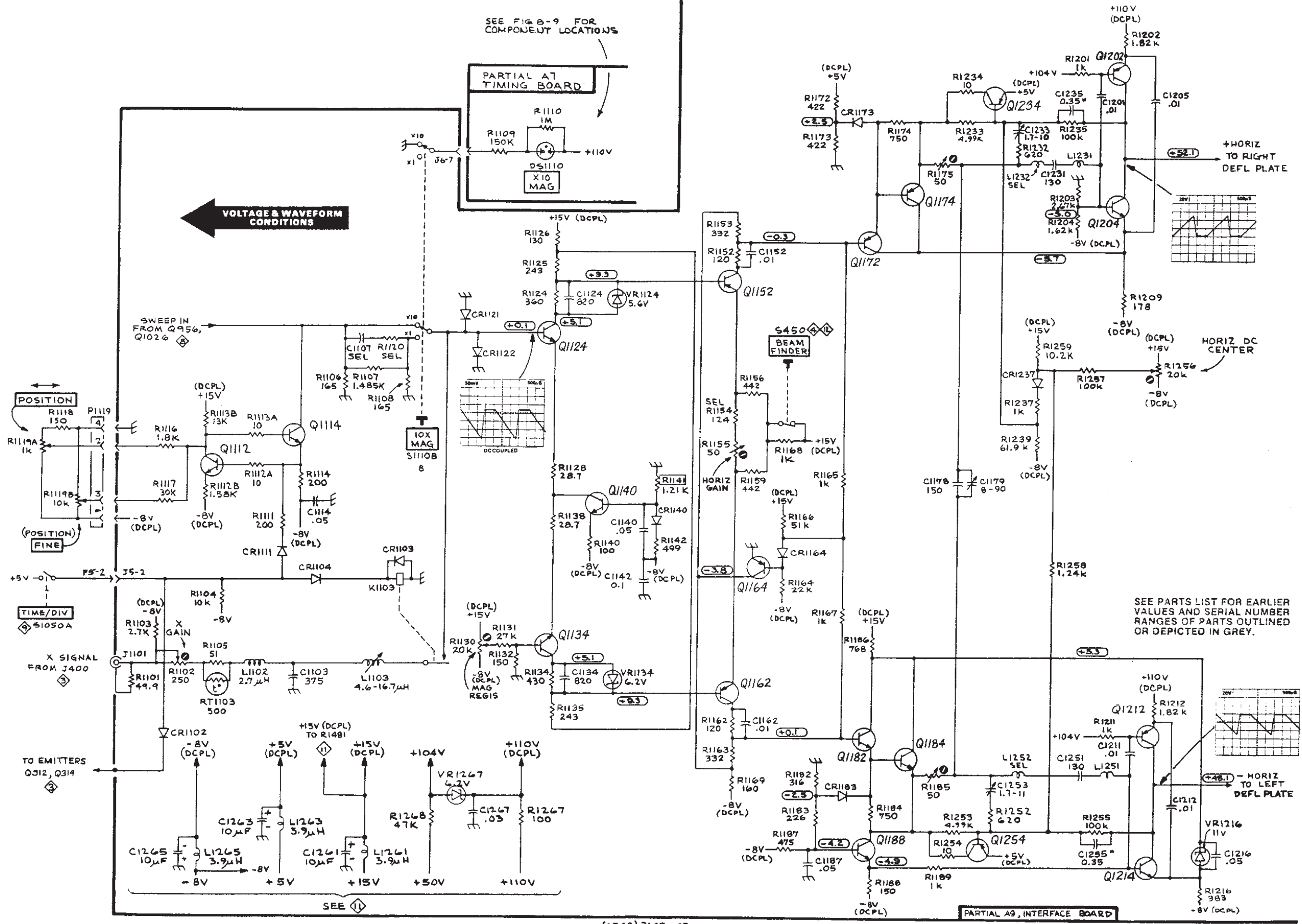
SWEEP & Z AXIS LOGIC



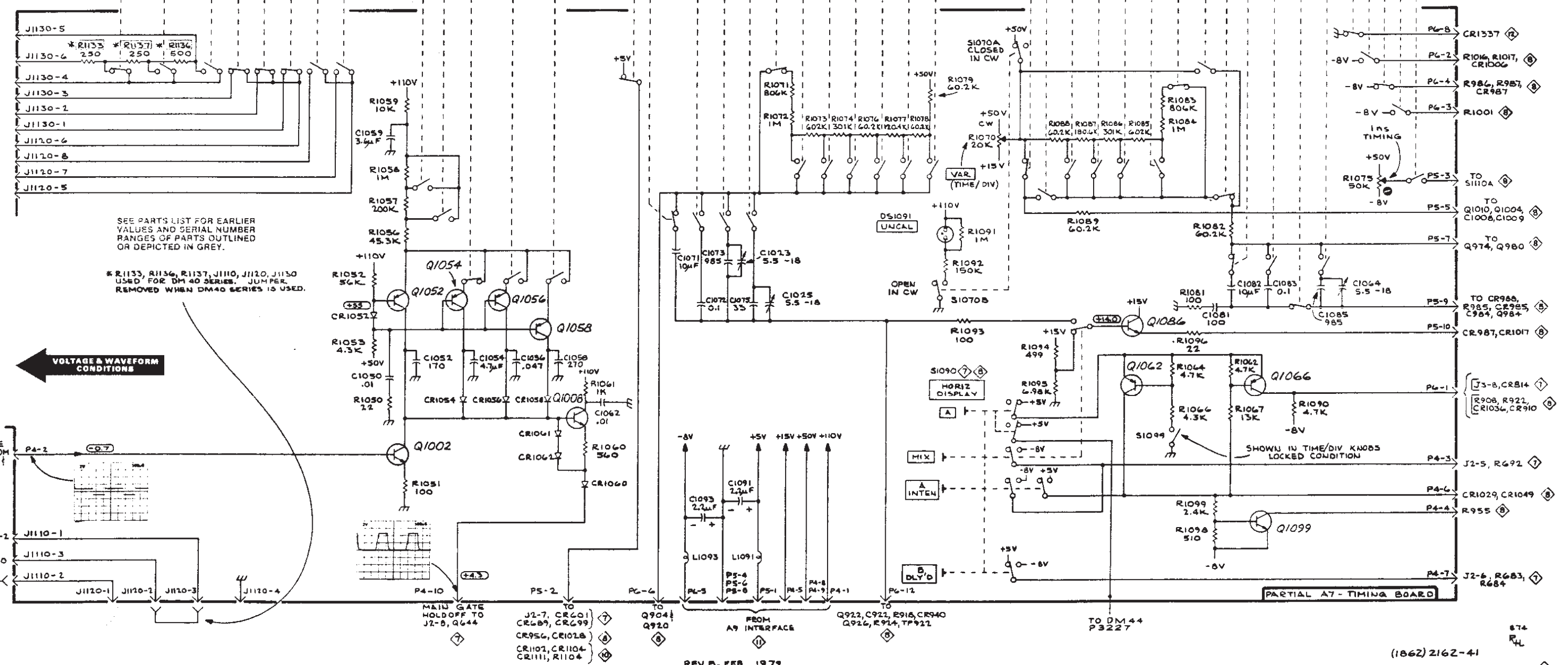
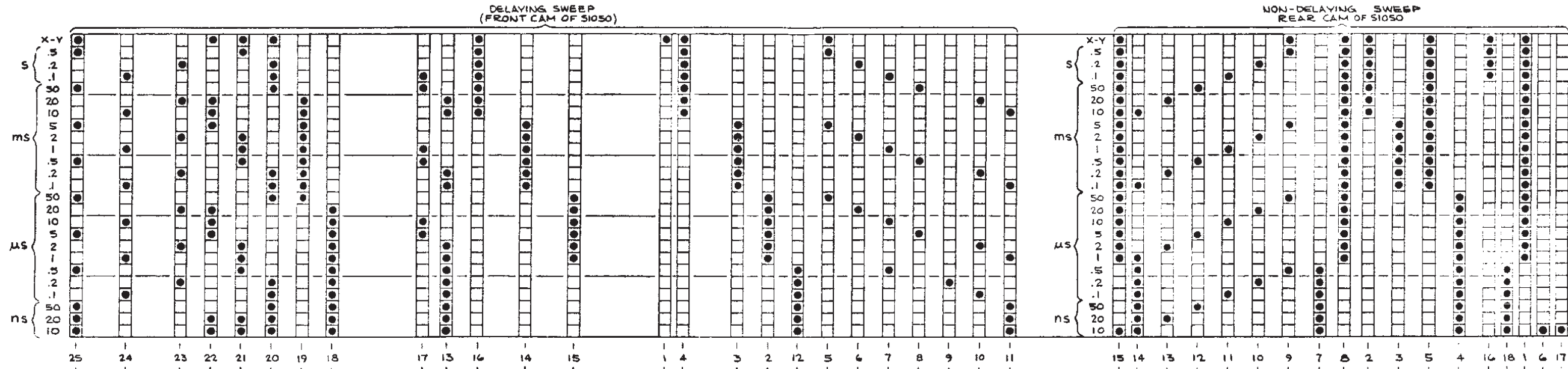
NOTE: * SEE PARTS LIST, VALUE IS CHANGED WHEN DM IS USED.

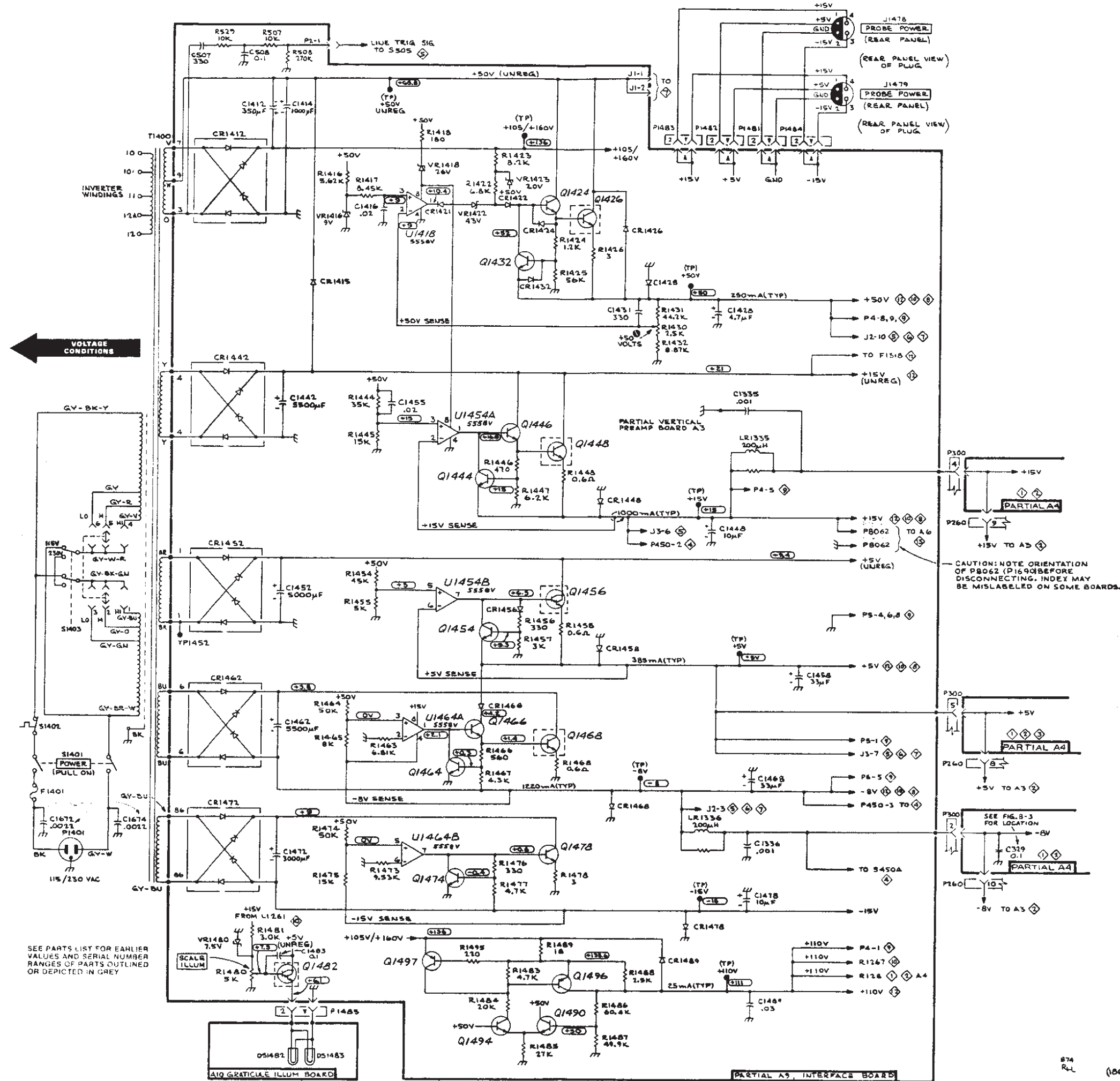
PI120 USED FOR DM 40 SERIES. (CONNECT JUMPER WHEN DM 40 SERIES IS NOT USED)

SEE PARTS LIST FOR EARLIER VALUES AND SERIAL NUMBER RANGES OF PARTS OUTLINED OR DEPICTED IN GREY.

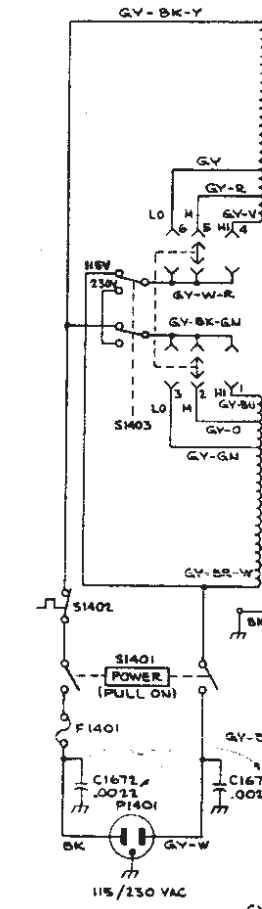


S1050
A & B TIME/DIV
AND DELAY TIME
SWITCH SHOWN IN X-Y POSITION



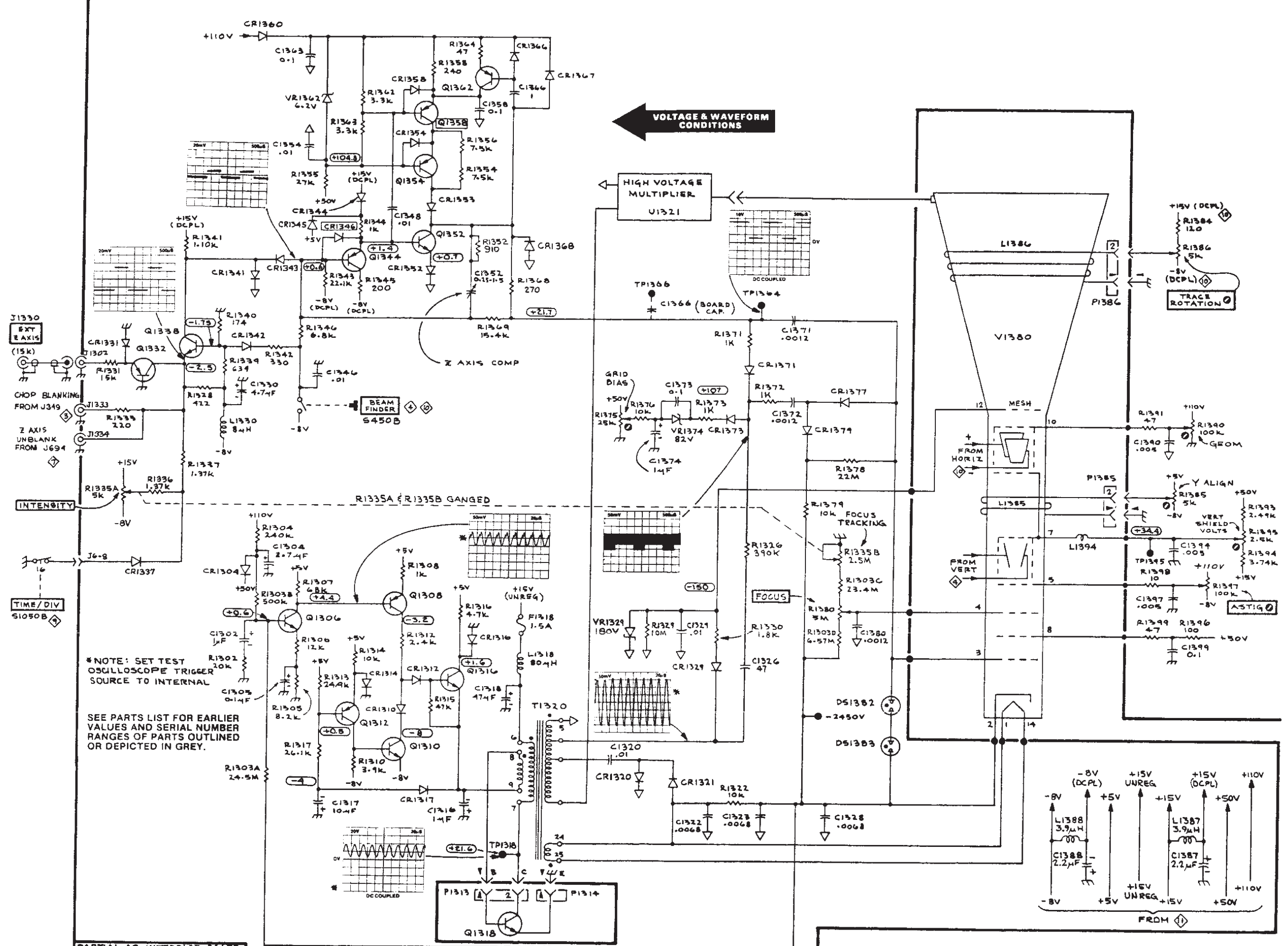


VOLTAGE CONDITIONS



SEE PARTS LIST FOR EARLIER VALUES AND SERIAL NUMBER RANGES OF PARTS OUTLINED OR DEPICTED IN GREY

CAUTION: NOTE ORIENTATION OF P8062 (P1690) BEFORE DISCONNECTING. INDEX MAY BE MISLABELED ON SOME BOARDS.



VOLTAGE & WAVEFORM CONDITIONS

