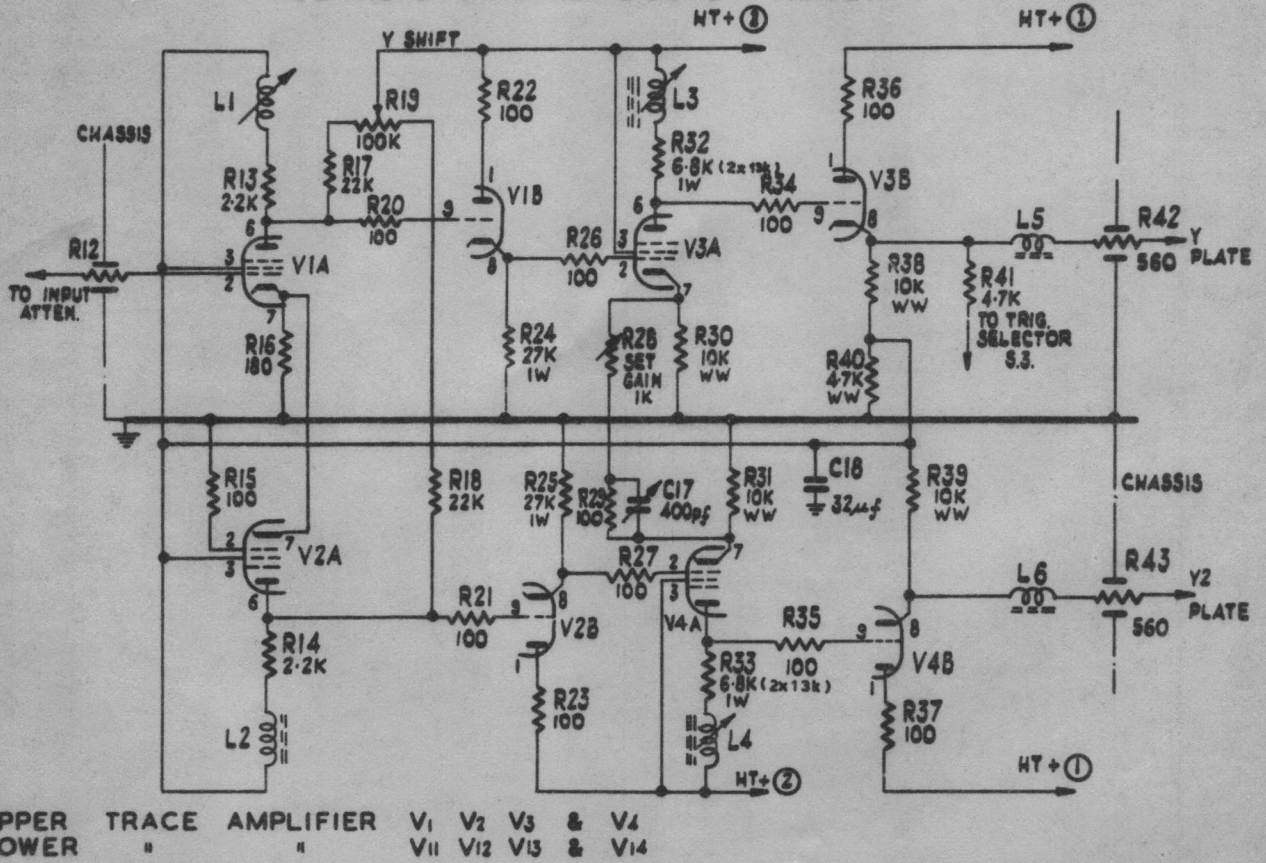


**VERTICAL AMPLIFIERS**  
IDENTICAL FOR UPPER & LOWER TRACES.



**TIME BASE SWITCH**

**TYPE D31 & D31R**  
(LATER VERSION)

