

TELEQUIPMENT

®

DANGER



It is not possible to screen all high voltages, so care should be taken not to touch high voltage tags. Also where possible the instrument should be unplugged AND switched off during servicing. A BLEEDER PATH FOR THE EHT IS NOT PROVIDED, so after switching off and before touching any internal parts, the EHT should be discharged by temporarily shorting the appropriate points to chassis, (for instance the CRT cathode pin and PDA connector where applicable).



OSCILLOSCOPES TYPES D65 & D66

FOR SERVICING AND SPARES ENQUIRIES
SEE THE INFORMATION AT START OF CHAPTER 5.

For Service Manuals Contact
MAURITRON TECHNICAL SERVICES
8 Cherry Tree Rd, Chinnor
Oxon OX9 4QY
Tel: 01844-351694 Fax: 01844-352554
Email: enquiries@mauritron.co.uk

TEKTRONIX U.K. LTD.,
313 Chase Road,
Southgate,
London, N14 6JJ
ENGLAND

Telephone: 01-882 6100

Telex: 262004

Cables: TELEQUIPT LONDON N14

TEKTRONIX INC.,
P.O. Box 500.,
Beaverton,
Oregon (97005)
U.S.A.

Telephone: (503) 644-0161

Telex: 36-0485

Cables: TEKTRONIX

TELEQUIPMENT is a registered trade mark of TEKTRONIX U.K. LTD.

070-1199-00

PRINTED IN ENGLAND

Issue 13 (5777)

November 1977

© Copyright (1974) by
TEKTRONIX U.K. LTD.

INTRODUCTION

The D65 and D66 are 15 MHz and 25 MHz, respectively, all solid-state dual-trace oscilloscopes, in most respects their features are similar, where there are differences the text in *ITALICS* relates to the D65. An 8 x 10 cm CRT provides a bright and clear display. The dual-trace vertical system displays either channel separately, adds channels algebraically, alternates between channels or chops between channels at approximately 150 kHz rate. Channel 2 can also be switched to become the horizontal amplifier to provide equal X - Y displays. The solid state design, using FET input circuitry, provides minimum drift and fast stabilization time.

The design of these instruments is subject to continuous development and improvement, consequently this instrument may incorporate minor changes in detail from the information contained herein, which would, in the main affect the Component List and Circuit Diagrams. The changes are described on Amendment Lists which are issued at regular intervals and located in the pocket inside the back cover.

Throughout this manual all references to the front panel controls are in full and in capital letters, e.g. POSITION.

For Service Manuals Contact
MAURITRON TECHNICAL SERVICES
8 Cherry Tree Rd, Chinnor
Oxon OX9 4QY
Tel:- 01844-351694 Fax:- 01844-352554
Email:- enquiries@mauritron.co.uk

NOTICE TO OWNER

In the event of this Instrument being returned to TELEQUIPMENT for servicing: the owner is requested to remove the power supply plug and *NOT* send the following items unless they are suspect, in order to prevent damage during transit and facilitate packaging:

Manual.
Probes.
Power Supply Lead.
Plug Assemblies.

CONTENTS

CHAPTER		Page	CHAPTER		Page
1	SPECIFICATION		4	MAINTENANCE & CALIBRATION (cont.)	
	Cathode Ray Tube (CRT)	1/2		Vertical Amplifier	
	Cooling	1/3		D.C. & L.F. setting	4/3
	Horizontal system	1/1		Pulse reponse	4/6
	Outputs, Front Panel	1/2		Supply variation	4/3
	Power Requirements	1/3		X-Y mode	4/6
	Size	1/3		General	
	Temperature limits	1/3		Checks	
	Trigger	1/2		Gain	4/1
	Vertical system	1/1		Sweep Speed	4/1
	Weight	1/3		Mechanical	
				Access to interior	4/1
2	OPERATING INSTRUCTIONS			CRT	
	Controls and Connectors			Removal	4/1
	Connectors, input & output	2/2		Fitting	4/2
	CRT	2/1		Location of Pre-set controls	4/1
	Horizontal display	2/1	5	COMPONENT LIST	
	Probes	2/2		Appendix, D65	5/12
	Sweep	2/1		Appendix, D66	5/13
	Trig Mode	2/1		Assembly	5/16
	Vertical display	2/1		Component	5/2
	Operation	2/3		Mechanical	5/15
	Pre-operational checks	2/3	6	CIRCUIT DIAGRAMS	Figure
3	CIRCUIT DESCRIPTIONS			Attenuator	2
	Attenuators	3/1		Block Diagram	1
	Block Diagram	3/1		CRT	
	CRT	3/4		D65	13
	Horizontal amplifier	3/3		D66	8
	Power supplies	3/4		Component reference	
	Sweep			PC Nos 110 & 112	10
	Generator	3/3		PC Nos 115 & 119	11
	Trigger	3/2		Power supply	
	Unblanking amplifier	3/3		D65	15
	Vertical amplifier	3/1		D66	9
4	MAINTENANCE & CALIBRATION			Timebase	6
	Calibration			Trigger	5
	Attenuator	4/5		Unblanking amplifier	6
	Calibrator	4/7		'X' amplifier	6
	CRT	4/3		'Y' amp. Input & Channel switching	3
	Horizontal amplifier	4/5		Output & Trigger pre-amp.	
	Preliminary procedure	4/2		D65	14
	Probe	4/2		D66	4
	Sweep & Trigger	4/2		Time/Div	7
	Single Shot	4/5			

SECTION 1

SPECIFICATION

1.1 VERTICAL SYSTEM

Operating modes

Channel 1
 Channel 2 (normal or inverted)
 Channels 1 & 2
 Alternate
 Chopped (at 150 kHz approx.)
 Summed
 X - Y

3 dB bandwidth

D.C. Coupled
 A.C. Coupled
 Risetime X1
 X10 A.C. or D.C. Coupled
 Max. amplitude

D65	D66
D.C. - 15 MHz	D.C. - 25 MHz
2 Hz - 15 MHz	2 Hz - 25 MHz
23 ns nominal	14 ns nominal
10 MHz approx.	15 MHz approx.
4 div at 15 MHz	7 div at 25 MHz

X - Y

Bandwidth (-3dB)
 Phase error

Via CH1 with CH2 input selected via timebase switch as horizontal amplifier.

D.C. - 1 MHz
 Less than 1° at 25 kHz

Deflection factors

Calibrated - accuracy ± 5%
 Gain X10
 Uncalibrated - with variable

10 mV - 50 V/div (12 ranges 1-2-5 steps)
 1 mV - 5 V/div
 Complete cover between steps and to 125 V/div

Signal Delay

200 ns

Input impedance

1 M Ω and 47 pF approx.

Maximum input - D.C., A.C. peak
 & Sum of

400 V peak

1.2 HORIZONTAL SYSTEM

Sweep generator

Sweep rates

Calibrated (23 ranges 1-2-5 steps)

Uncalibrated (with variable)
 Single Shot

2 s - 100 ns/div ± 5% without expansion;
 with X5 expansion ± 7%. Fastest calibrated sweep
 increases to 40 ns/div D65, 20 ns/div D66.
 Complete cover between steps and to 5 s/div
 With lock-out

External horizontal amplifier

3 dB bandwidth
 Risetime
 Deflection factors

D.C. - 1 MHz
 350 ns nominal
 1 V/div approx.
 200 mV/div approx. (with X5 expansion)
 100 kΩ and 30 pF approx.
 400 V peak

Input impedance

Maximum input

For Service Manuals Contact
 MAURITRON TECHNICAL SERVICES
 8 Cherry Tree Rd, Chinnor
 Oxon OX9 4QY
 Tel:- 01844-351694 Fax:- 01844-352554
 Email:- enquiries@mauriron.co.uk

1.3 TRIGGER

Coupling	A.C. or D.C.
Source	CH1, CH2, alternate, and external
Internal	
Amplitude – Automatic	0.25 div (0.5 div at x10 gain) 40 Hz to 1 MHz } Alternate
Trigger level	0.25 div (0.5 div at x10 gain) D.C. to 1 MHz } 1.0 div
	rising to 0.5 div at 5 MHz
HF	1 div from 1 MHz to > 25 MHz
External	
Amplitude	250 mV to ± 15 V at above frequencies
Impedance	100 k Ω and 30 pF

1.4 CATHODE RAY TUBE (CRT)

Type	
D65	Single-gun with PDA
D66	Single-gun with mesh PDA
Display area	8 x 10 cm
Phosphor	
Standard	P31
Special order	P7 or P11
Overall accelerating potential	
D65	4 kV approx.
D66	10 kV approx.
External intensity modulation	
Coupling	A.C. to Grid
Amplitude, peak to peak	50 V maximum
	15 V for perceptible modulation at average brilliance
Time constant	10 ns

1.5 OUTPUTS, FRONT PANEL

Calibrator, peak to peak	500 mV square wave at supply frequency
Accuracy	2%
Sweep sawtooth	
Coupling	D.C.
Amplitude peak	10 V approx.
Minimum load	47 k Ω
Gate out	
Coupling	D.C.
Amplitude, peak	500 mV approx.

For Service Manuals Contact
MAURITRON TECHNICAL SERVICES
8 Cherry Tree Rd, Chinnor
Oxon OX9 4QY
Tel:- 01844-351694 Fax:- 01844-352554
Email:- enquiries@mauritron.co.uk

1.6 POWER REQUIREMENTS

Voltage	100 – 125 V in 5 V steps 200 – 250 V in 10 V steps
Frequency	48 – 400 Hz
Consumption	50 VA approx.

1.7 SIZE

Height	24 cm
Width	21 cm
Depth	37 cm

1.8 WEIGHT

11.5 kg

1.9 COOLING

Convection

1.10 TEMPERATURE LIMITS, ambient

Operating	-15 to +40°C approx.
Non-operating	-25 to +70°C approx.

SECTION 2

OPERATING INSTRUCTIONS

For Service Manuals Contact
MAURITRON TECHNICAL SERVICES
8 Cherry Tree Rd, Chinnor
Oxon OX9 4QY
Tel:- 01844-351694 Fax:- 01844-352554
Email:- enquiries@mauriron.co.uk

2.1 FUNCTION OF CONTROLS AND CONNECTORS

2.1.1 CRT

BRILLIANCE	varies the intensity of the display.
FOCUS	controls the definition of the display.
ASTIG	is used in conjunction with FOCUS for best overall definition.
TRACE ROTATION	rotates the traces about the horizontal axis of the CRT and is used to align the traces with the horizontal graticule divisions.
SCALE ILLUM	varies the intensity of the graticule illumination, as well as serving as the supply ON-OFF switch.

2.1.2 HORIZONTAL DISPLAY

POSITION	varies the location of the trace(s) in the horizontal axis, when <u>not</u> in the X - Y mode.
FINE	acts as a more sensitive position control as well as the X5 horizontal gain switch. When pulled out in the X5 position, all sweep speed calibrations must be divided by 5. In the X - Y mode, FINE inoperative, X5 gain operative.

2.1.3 SWEEP

TIME/DIV	controls the speed of the main sweep. The sweep rates indicated are only valid if VARIABLE is fully clockwise and FINE position is pushed in for X1 gain. If FINE position is pulled out and VARIABLE is at CAL, the calibrations should be divided by a factor of 5 to ascertain the sweep speed.
VARIABLE	enables speeds between that indicated by TIME/DIV and the next lower speed to be selected. The control also selects X - Y operation when the knob is pushed in.
LEVEL	selects the point on the signal waveform at which the sweep starts. In the AUTO position, ref. 2.1.4 below, the trigger oscillates recurrently at a low repetition rate in the absence of a triggering signal; when a suitable signal is applied, the circuit is automatically triggered at the mean level of the input waveform.

STABILITY

controls the sensitivity of the sweep generator; turned fully anti-clockwise prevents the sweep from running, while fully clockwise causes the sweep to free-run.

SINGLE SHOT

assists in viewing or photographing a non-recurrent signal. If a recurrent signal is applied to the oscilloscope, in the SINGLE SHOT mode, the sweep will run once each time RESET is pressed, when not in the X - Y mode.

2.1.4 TRIG MODE

TV F and TV L

facilitates triggering from TV FIELD (frame) or line pulses; the LEVEL control may require adjustment for best results. Polarity relates to the sense of video modulation.

HF

should be depressed for synchronization from high-frequency signals. LEVEL can be adjusted for a locked sweep.

±

provide triggering from the positive or negative-going slope of a waveform.

AUTO

obtained by releasing DC and AC buttons.

INT and EXT

enable the sweep to be triggered either internally, from the vertical amplifier, or externally.

AC or DC

relate to the coupling of the trigger circuit. For very low input frequency DC should be selected.

2.1.5 VERTICAL DISPLAY CH1 & CH2

OFF-ON

release of these buttons switches off the channel concerned. If both channels are switched off, a straight line trace results which cannot be shifted by the POSITION controls except when in the X - Y mode.

INT TRIG

selects triggering from either or both channels. When alternately triggering from both channels both INT TRIG buttons should be released; the displays should be partially superimposed.

CHOP-ALT-SUM

provides three display modes for the vertical channels. In the CHOP mode, the channels are alternately switched on and off at a frequency of about 150 kHz; this mode is suitable at the lower sweep speeds.

In the ALT mode, each channel is alternately displayed for the duration of a sweep; the ALT mode is preferable at higher sweep speeds.

POSITION In the SUM mode, the display is the addition of the individual signals; CH1 POSITION is used to shift the trace, CH2 POSITION acts as a fine shift control. If INVERT is depressed, the resultant display is the difference between the two input signals.

displaces each trace in the vertical direction except when both channels are off.

INVERT-NORMAL

In the X - Y mode, irrespective of button settings, CH1 provides a vertical shift and CH2 a horizontal shift.

The setting of this button determines whether the CH2 signal is displayed in the same polarity as the input signal, or inverted. The inverted setting is used to display the difference between two signals in the SUM mode.

VOLTS/DIV

provides twelve steps of attenuation of each channel's input signal. Calibrated sensitivities are only valid when VARIABLE is fully clockwise. The overall bandwidth is reduced to approximately 10 MHz.

VARIABLE

enables all deflection sensitivities, between that selected by the VOLTS/DIV switch and the next below, to be covered. The control must be fully clockwise for a calibrated display; for X10 gain the knob should be pushed in.

DC-GND-AC

selects the input signal coupling.

In the DC position the signal from the INPUT connector is coupled directly to the attenuator.

In the AC position a capacitor is inserted in series.

In the GND position the input to the attenuator is grounded; this position enables the 0 V D.C. level of a trace to be ascertained.

2.1.5 INPUT AND OUTPUT CONNECTORS

1. INPUTS

BNC

connectors are linked to the vertical channel attenuators via the DC-GND-AC switch described above.

EXT TRIG & EXT X

The BNC connector in the sweep section of the front-panel enables either external triggering signals to be applied or, in the EXT condition of the w/c speed it provides the EXT X input. The connector is DC coupled to both trigger and horizontal amplifier circuits. An external blocking capacitor may be required to remove the DC component. Input resistance is 100 kΩ.

Z MOD

A X5 amplification of the horizontal display is obtained by pulling out FINE position. If a dual-trace display is required on EXT X, the vertical display mode must be set to CHOP, the ALT and SUM mode will provide only one trace.

at the rear of the instrument, and connected via an isolating capacitor to the CRT Grid. A positive-going signal is thus necessary to intensify the trace while a negative-going signal will blank it.

2. OUTPUTS

CAL

socket provides a squarewave for checking the calibration of the vertical channels. The repetition rate is at supply frequency.

GATE OUT

provides fast-edged negative-going rectangular pulses lasting for the duration of the sweep.

The gate out signal of 0.5 V peak to peak 1 kHz squarewave is used for calibrating probes as follows.

1. Connect the probe to INPUT 1.
2. Set VOLTS/DIV to .1 (X10), 10 mV (X100).
3. Turn VARIABLE fully clockwise.
4. Set TIME/DIV to 1 ms.
5. Connect probe tip to the GATE OUT.
6. Adjust the probe trimmer for a square corner on the leading edge of the display as follows:

In the HZ1B probe, a screwdriver adjustment is provided through a hole in the probe body.

The GE31000 is calibrated as follows:

1. Slacken the narrower of the two knurled rings at the BNC connector end of the probe cable.
2. Rotate the adjacent broader ring until a square corner is obtained.
3. Tighten the narrow ring without disturbing the broad ring.

If a 1kHz squarewave is used, the amplitude should be about 500 mV and a few cycles of the waveform should be displayed. The above calibration procedure should be followed with X10 probe tip applied to the squarewave generator output. The compensation should be checked if the probe is transferred to INPUT 2.

SAWTOOTH

provides a positive-going ramp waveform when the sweep is running. A recurring sawtooth is produced when the STABILITY is fully clockwise for the sweep generator to free-run. The resistance of an applied load should exceed 47 kΩ to avoid loading the sweep generator.

3. GND

this is connected to the chassis of the instrument.

2.2 PRE-OPERATIONAL CHECK

2.2.1 Before connecting the instrument to the supply, check that the rear voltage-selector plug is indicating the local supply voltage or the nearest value to it. Check also that the fuse fitted is 500 mA for 100–125 V operation or 250 mA for 200–250 V.

NOTE: The 3-core supply lead is alternatively colour-coded as follows:

Line	Neutral	Earth Chassis
Brown Black	Blue White	Green/Yellow Green

FOR SAFETY REASONS THE EARTH WIRE MUST BE CONNECTED AND IF AN EXTENSION LEAD IS USED – ADEQUATE EARTH CONTINUITY MUST BE PROVIDED.

2.2.2 Set the controls as follows:

1. CRT

BRILLIANCE	Fully anti-clockwise
FOCUS	Central
ASTIG	Central
TRACE ROTATION	As set
SCALE ILLUM	Fully anti-clockwise, POWER OFF.

2. HORIZONTAL DISPLAY

POSITION	Central
FINE	Central and pushed in.

STABILITY	Fully clockwise
TIME/DIV	5 ms
VARIABLE	Fully clockwise
LEVEL	Any position
TRIG MODE	All buttons out
SWEEP	REP.

3. VERTICAL DISPLAY CH1 & CH2

OFF-ON	ON
INT TRIG	1
CHOP-ALT-SUM	CHOP
POSITION	Central
INVERT-NORMAL	NORMAL
VOLTS/DIV	0.2 V
VARIABLE	Fully clockwise
DC-GND-AC	GND

2.3 OPERATION

1. Plug into the supply and switch on with the SCALE ILLUM.
2. Allow a few minutes for warm-up then adjust CRT and POSITION controls for a two-trace display. Adjust TRACE ROTATION if necessary to make the traces horizontal.
3. Apply the supply frequency squarewave from the CAL 500 mV peak to peak socket to both INPUT connectors via co-axial leads and switch DC-GND-AC to DC. Rotate STABILITY anti-clockwise to lock display.
4. If the supply frequency is 50 Hz, 2.5 cycles of the calibrator waveform will be displayed, each display being 2.5 div in amplitude.

For Service Manuals Contact
MAURITRON TECHNICAL SERVICES
 8 Cherry Tree Rd, Chinnor
 Oxon OX9 4QY
 Tel:- 01844-351694 Fax:- 01844-352554
 Email:- enquiries@mauritron.co.uk

The power cord should be secured, by the nuts & screws provided, to comply with local legislation.

SECTION 3

CIRCUIT DESCRIPTIONS

3.1 BLOCK DIAGRAM

3.1.1 This section will assist the reader to comprehend the circuitry of the D65 and D66. By referring to the Block Diagram, Figure 1 the reader will see the interfaces of the various circuits and signal paths, which will be dealt with in detail later.

3.1.2 The signal is fed, via the Attenuator, to the Vertical Amplifier. Its description covers the function of the 'Y' input pre-amplifiers, Delay line driver and Output amplifiers, Channel switching multivibrator and trigger pre-amplifier. The output is fed to the 'Y' plates of the CRT with a portion of it being fed to the trigger network.

3.1.3 The Trigger circuit provides pulses of suitable amplitude and polarity to trigger the timebase from internally or externally derived waveforms.

3.1.4 The Timebase description deals with the ALT pulse and Sweep generators, Gating and Hold-off bistables. This stage determines the start and finish of each sweep and generates a sawtooth waveform for the horizontal amplifier.

3.1.5 The Horizontal amplifier description covers the 'X' output, which amplifies the internal sawtooth waveform or an external 'X' signal and applies it in push-pull to the 'X' plates of the CRT.

3.1.6 The Unblanking amplifier description covers the CHOP and Sweep retrace blanking amplifiers. The output being fed to the CRT g2 electrode.

3.1.7 The Calibrator is included with the description of the Power supplies, its function is to provide a calibrated peak to peak squarewave at power-line frequency, for the purposes of checking the vertical amplifier and timebase calibration.

3.2 ATTENUATORS

The signals to be observed are connected to the instrument by BNC sockets, via switch S901, reference Figure 2, to two identical attenuators each comprising four frequency-compensated resistive dividers with ratios of 100:1, 10:1, 5:1 and 2:1. These are switched, singly or in tandem, and C902, C905, C908 and C912 serve to standardize the input time constants, C904, C907, C911 and C914 compensate the respective dividers.

NOTE: When VOLTS/DIV is set to 10, 20 or 50, connecting the above dividers in tandem, the overall bandwidth is reduced to approximately 10 MHz.

3.3 VERTICAL AMPLIFIER ('Y'-AMPLIFIER)

The circuits of channel 1 (CH1) and channel 2 (CH2) are identical, with Zener diodes D604 and D611 providing stabilized positive and negative voltages and D607 and D608 the shift voltages. CH1 is described below with reference to Figure 3, except where references are made to CH2.

3.3.1 The output from the attenuator is fed to the gate of TR601 via a protection circuit C601, C602, R601, R602a, R602b and R603, which prevents excessive voltage damaging the input FET.

3.3.2 TR601 and TR602 form a paraphase amplifier with their sources long-tailed through TR628. R624 provides variable gain control.

Compensation is provided by R625 for trace movement caused by varying R624. R622 compensates for supply voltage variation in conjunction with R626, R630, R632 and D604. Neutralization is effected by C604.

3.3.3 The output from the FET input stage is taken via emitter followers TR603 and TR604 to a gain stage, TR605 and TR606. In the emitter circuit R617 sets the X1 channel gain and R618 the X10. The collector outputs are connected to the switching stage, TR609 and TR611, via emitter followers, TR607 and TR608. These provide, in push-pull, the channel trigger signal. The Miller capacities of the above gain stage are neutralized by C603 and C609.

In CH2 the emitter followers TR625 and TR624 provide the horizontal signal in the X-Y mode.

3.3.4 TR609 and TR611 form a long-tailed pair, with C606 and R614 providing H.F. compensation. Their output feeds a shunt feedback amplifier, TR612 and TR613. The feedback resistors are split into pairs, R644, R650 and R658, R661; with the signal delay line compensation, at one end, being provided by C621, R656, C619, R655, C618, R654 and C617, R653 connected between the junctions of the above pairs. The compensation at the other end, reference Figure 4 (D66) and Figure 13 (D65) is provided by C751 and R751. The delay line is terminated at each end by R643, R659, R752 and R753.

3.3.5 The output from the delay line is fed to the emitter input of the output stage TR752 and TR753, and drives the 'Y' plates of the CRT Fig.8.

A portion of the output is taken via a balanced divider, R771, R773 and R772, R774 to switch, S751 which switches either the above portion of the signal or the channel signal from the emitter followers, TR607 and TR608, to a long-tailed pair, TR755, TR757, which drive the Trigger circuit.

3.3.6 The CH2 output, from TR625, TR624 also drives a separate long-tailed pair, TR754, TR756 which acts as a horizontal pre-amplifier in the X-Y mode. The X-Y gains are equalised with R787. The outputs from TR754, TR756 collectors drive the diode switching matrix in the horizontal output amplifier.

3.3.7 Channel switching is carried out by TR614 and TR615, which act as a bistable in the ALT mode and a free-running multivibrator in the CHOP mode, the current being provided via a long-tail TR616.

3.3.8 In the ALT mode a negative-going pulse coinciding with the start of the sweep flyback, is fed via D606 or D609, to the above bistable, causing it to switch. When TR614 is conducting, it passes current from the switching stage, TR609 and TR611, and allows the CH1 signal to pass to the shunt feedback amplifier, TR612 and TR613. At the same time TR615 is off, its collector rises to 16 V approx. taking the emitters of CH2 switching stage, TR626 and TR627 with it and so cutting off the current. Diodes D610 and D612 prevent the base-emitter junctions from breaking down in the reverse condition.

3.3.9 In the CHOP mode, R648 and R664 are returned to H.T. via R696, forming an astable multivibrator. The frequency is mainly determined by R648, R644, C613, C622, R647, R663 and R696.

3.3.10 In the SUM mode, the current supplied via TR616 is switched off, so both TR614 and TR615 are non-conducting. Both switching stages, TR609, TR611 and TR626, TR627 are required to be on, so extra current is bled from the 115 V line via R637 and R638. Current flows through the switching stages, via R646 and R662 through R673, to earth. Hence these signals are added at the bases of TR612 and TR613. CH2 signal can be inverted by switch, S604, to provide addition or subtraction of the two signals. Also in the SUM mode, CH2 POSITION becomes a very fine shift control. CH1 position being the coarse Shift Control.

3.3.11 The table below shows the state of the switched components for all switch combinations: followed by a resume on the part of circuit activated.

Condition A denotes R637, R638 connected to + 110 V.

Condition B denotes TR616 conducting.

Condition C denotes R673 connected to junction R646/R662.

CH1	CH2	ALternate			CHOP			SUM			X - Y		
		A	B	C	A	B	C	A	B	C	A	B	C
On	Off	No	Yes	No	No	Yes	No	No	Yes	No	No	No	No
Off	On	No	Yes	No	No	Yes	No	No	Yes	No	No	No	No
On	On	No	Yes	No	No	Yes	No	Yes	No	Yes	No	No	No
Off	Off	No	Yes	No	No	Yes	No	No	Yes	No	No	No	No

1. CH1 ON, CH2 OFF.

TR614, TR609 and TR611 are conducting, this feeds the output of TR609 and TR611 to the bases of TR612 and TR613; TR626 and TR627 being reversed biased by the potential at TR615 collector.

2. CH1 OFF, CH2 ON.

TR615, TR626 and TR627 are conducting, so only the output of TR626 and TR627 may pass to the bases of TR612 and TR613; TR609 and TR611 being reversed biased by the potential at TR614 collector.

3. CH1 ON, CH2 ON. ALTERNATE.

TR614 and TR615 are connected to form a bistable circuit. At the end of each sweep, a negative-going pulse appears at the junction of D606 and D609 which reverses the state of the bistable. Hence TR614 and TR615 conduct alternately and allow the outputs, of CH1 and CH2 alternately, to reach the bases of TR612 and TR613.

4. CH1, CH2 CHOPPED.

R648 and R664 are returned to H.T. via R696 to form an astable multivibrator, which free runs at 150 kHz approx. Thus the outputs of CH1 and CH2 are successively switched into TR614 and TR615 at 150 kHz. At each transition a pulse is fed from the emitters of TR612 and TR613 via C642 to the unblanking amplifier Fig. 6, which blanks the CRT beam and thus provides automatic transient blanking in the chopped mode.

5. CH1, CH2 SUM.

The tail of the multivibrator and R633 are disconnected; TR614 and TR615 are non-conducting; R673 is connected to ground providing a current path for both channels simultaneously; TR609, TR611, TR626 and TR627 are conducting; extra current being fed to their collectors, via R637 and R638 from the + 110 V line, to maintain correct conditions. CH1 and CH2 may be used as a summing or differential (with INVERT pressed) amplifier. In this mode, the CH1 POSITION control provides a coarse shift, and CH2 POSITION control provides a very fine shift control (reference 3.3.10).

6. CH1 OFF, CH2 OFF.

TR614 and TR615 are non-conducting, preventing outputs from either CH1 or CH2 from reaching TR612 and TR613.

7. X - Y

When the X-Y switch is selected, the circuit is connected for X-Y operation as follows, regardless of any vertical amplifier mode switching. R641 is returned to ground, ensuring CH1 signal is connected to TR612 and TR613, and TR626 and TR627 are biased off; TR616 is non conducting and the junction of R646 and R662 is returned to H.T.

3.4 SWEEP TRIGGER

The bases of TR2 and TR3 trigger input amplifiers, reference Figure 5, are fed with internal or external trigger signals via switch, S4 which selects the source from either the collectors of TR755 and TR757 in the vertical amplifier or TR1 the external trigger amplifier. S2 selects the polarity of the signal on which the triggering occurs.

3.4.1 When switched in by S3a and S3b, R15, the LEVEL control varies the base potentials of TR2 and TR3 in antiphase. This alters the quiescent voltage on the base of TR4 and D.C. level of signal required to trip TR4 and TR5.

3.4.2 When S3a and S3b are open in the AUTO position, feedback is applied from TR4 collector via R27 and R9 to TR2 base and from TR5 collector via R26 and R23 to TR3 base. This feedback causes TR2, TR3, TR4 and TR5 to oscillate in the absence of a trigger input at a low frequency, primarily determined by C11, R26 and R27. Input signals override the above oscillation and the circuit locks to the input frequency. The trigger sensitivity is set by R34. This adjusts the hysteresis of TR4 and TR5. F17 is set to provide a symmetrical operation of TR2 and TR3.

3.4.3 When S1a, and b are in the NORMAL position, TR4 and TR5 form a Schmitt trigger. The constant amplitude rectangular-wave output at the collector of TR5 is differentiated by C15 and R38. The resulting bidirectional pulses are applied to the series clipper D1 which provides the collector of TR68 in the sweep circuit with negative-going trigger pulses.

In the TV positions of S1a, b and c, R25 is disconnected from the emitter of TR4; TR4 converts into a sync separator with C12 being switched across R31. TR5 changes into an inverter with decoupling capacitor C16 being switched across the emitter resistors R36, R25 and R34. In the TV F position of S1a, the differentiating time-constant of C15 and R38 is increased by the addition of R39.

3.4.4 With S1c set to HF, R32 is added in series with R34 across C14; this converts TR4 and TR5 into a free-running oscillator whose frequency is adjusted by R15, the LEVEL control, to synchronise with the HF trigger input.

3.5 SWEEP GENERATOR. (TIMEBASE)

The sweep generator, reference Figure 6, consists of a Miller integrator TR71 and emitter follower TR72; and two bistables, a gating bistable TR66, TR68 and hold-off bistable TR73, TR74, connected between the Miller output and input.

3.5.1 Initially, for an incoming trigger pulse to fire the sweep the following conditions apply:

Diodes D67, D68 and TR69 are conducting and clamp the drain of TR71 at + 2.5 V approx. The hold-off bistable is held with TR73 off, TR74 on and the gating bistable with TR66 on, TR68 off.

3.5.2 A negative-going trigger pulse causes TR66 to switch off, TR68 on, and D66 to conduct. Hence current flowing through R84 diverts from D67, D68 to D66. This open circuits D67, D68 and releases the gate of TR71. TR71 drain starts to rise, due to Miller action, taking TR72 base and emitter with it and cutting off TR69. This rising saw-tooth voltage passes through D71 until eventually TR73 base becomes sufficiently positive to switch the bistable over. Hence TR74 switches off, TR73 on and the negative voltage step at TR73 collector causes TR68 to switch off and TR66 on. TR68 collector goes positive, switching D66 off, D67 and D68 on and starting the flyback.

3.5.3 Current flows through R84, D67, D68 into the timing capacitor C_t , to commence flyback. When TR72 emitter has fallen sufficiently taking TR69 emitter with it then TR69 conducts and clamps C_t at the initial start potential. This potential is determined by the resistor ratios R85, R86 and R94 and R95.

3.5.4 During the flyback period, D71 is off due to the charge on the hold off capacitor C_h . This charge leaks away through R104, R105, R106, R107 and R112 until eventually TR73 switches off, TR74 on and the initial conditions (3.5.1) are restored.

3.5.5 When the sweep is switched to single-shot mode, TR73 base is prevented from switching at the end of the flyback and is clamped by diode D72. The bistable is switched over by pressing RESET, this applies a negative-going pulse to TR73 base and causes the collector current to switch off and TR74 to conduct.

The circuit is then ready for the next incoming trigger pulse to fire the sweep.

3.6 HORIZONTAL AMPLIFIER (X-AMPLIFIER)

The horizontal amplifier reference Figure 6, consists of a pre-amplifier TR76, followed by a cascode connected long tailed pair output stage, TR77, 78, 79 and 81.

3.6.1 The pre-amplifier TR76, is a shunt feedback stage in which the sweep and shift voltages are mixed via R103, R122 on its base. In the EXT X position; TR1 is connected in place of the sweep signal. This converts the external high impedance input into a low impedance suitable for mixing with the shift voltage at TR76 base. The TR76 collector output is fed to the base of TR78 via diode D76. TR78 and TR79 form the bottom half of a cascode amplifier, their collectors driving the emitters of TR77 and TR81, tail current being supplied via TR82.

3.6.2 Gain control is provided, in the X1 condition by R132; in the X5 position by R131. The output from TR77 and TR81 collectors driving the CRT X plates.

3.6.3 In the sweep and EXT X positions D76, D81, D74, D78 are conducting. D77, D82, D79, D75 are off. The signal is fed to the base of TR78 via D76 and DC to the base of TR79 via D81.

3.6.4 In the X-Y mode D74 and D78 are not conducting, D75 and D79 are conducting; allowing the push pull output from CH2 to be fed to the bases of TR78 and TR79. Also D76 and D81 are not conducting, D77 and D82 are conducting, shorting out the signal on TR76 collector.

3.7 UNBLANKING AMPLIFIER

The amplifiers for unblanking comprise TR65, TR67 and for chopped blanking TR62 and TR64, reference Figure 6.

3.7.1 In the absence of a sweep TR66 conducts, causing current to flow through TR65 making TR65 collector, TR67 emitter and the CRT g2 electrode negative with respect to the CRT a1 electrode, blanking the trace.

3.7.2 When the sweep starts TR66 switches off; TR65 current ceases; hence its collector goes to H.T. causing TR67 emitter and CRT g2 to follow. The potentials of a1 and g2 electrodes are equalized so unblanking the trace.

3.7.3 Chopped blanking pulses are fed from the TR616 collector (fig 3), via C642, to the cascode circuit TR62 and TR64, which amplifies the pulse.

The collector of TR64 falls; allowing D64 to conduct and pass the blanking pulses, via TR67 to the CRT g2 electrode to blank the trace.

3.8 CRT CIRCUIT

- 3.8.1 The cathode is connected, reference Figure 8 (D66) and Figure 14 (D65) via a zener diode, D301, across which the brilliance control is connected to the -H.T. supply. This allows the brilliance control circuit to be low impedance.
- 3.8.2 Unblanking pulses are connected to g2. a1 is taken to H.T.
- 3.8.3 Variable voltages are supplied to a3 and S for optimum astig and geometry adjustment.

3.9 POWER SUPPLIES

Two separate circuits are used for the D66 and D65, reference Figures 9 and 15 respectively.

3.9.1 A centre tapped low voltage winding is full wave rectified and R-C smoothed to provide ± 12.5 volts and ± 14 volts.

3.9.2 An H.T. winding is voltage doubled using a full wave doubler then R-C smoothed to provide the positive H.T. supply.

3.9.3 A high voltage winding is full wave voltage doubled to provide the EHT negative supply for the CRT and a voltage quadrupler (D66) or doubler (D65) provides the high voltage PDA supply for the CRT.

3.9.4 A 500 mV calibrator waveform is supplied by clipping the supply waveform and referring the amplitude to a zener diode.

For Service Manuals Contact
MAURITRON TECHNICAL SERVICES
8 Cherry Tree Rd, Chinnor
Oxon OX9 4QY
Tel: 01844-351694 Fax: 01844-352554
Email: enquiries@mauritron.co.uk

SECTION 4

MAINTENANCE AND CALIBRATION

4.1 GENERAL

4.1.1 The entire solid-state design of the instrument should render frequent re-adjustment of the internal preset controls unnecessary; however, to ensure full measurement accuracy, it is desirable to make an occasional check, reference 4.3.2, 4.3.3, on the vertical amplifier sensitivity and timebase sweep speed. The internally generated 500 mV peak to peak calibration waveform may conveniently be used for these checks.

4.1.2 Should a more complete calibration be required, such as in the event of transistor replacement, reference should be made to the appropriate procedure in the Calibration paragraph of this Section.

Before it is assumed that a fault condition exists, control settings should be verified with reference to the Pre-Operational checks, paragraph 2.2.

4.2 MECHANICAL

4.2.1 LOCATION OF PRESET CONTROLS

Attenuator trimmers are accessible from the left hand side, front, after the covers have been removed. PC.110 and PC.112 which carry the circuits for the timebase, power supplies and storage are situated on the right hand side; PC.115, the vertical amplifier is on the left hand side. The boards are marked with a legend to facilitate component identification.

4.2.2 ACCESS TO INTERIOR

The cabinet sides are removed as follows:

1. Disconnect the power supply.
2. Loosen the two handle-clamp securing screws.
3. Ease the top of each side outwards.
4. Unhook the bottom of each side from the locating slots. The chassis base cover plate is secured by six fixing screws, one at each corner and one half-way along each side.

4.2.3 CRT REMOVAL

1. Remove both cabinet sides, as described above.
2. Remove the rear cover (four screws).
3. Unplug the PDA cap.

CAUTION: Earth both male and female connectors on the cap and CRT respectively, ensuring that the residual charge has been fully dissipated.

4. Unplug the 12-pin CRT base connector.
5. Unplug trace rotation coil plug, from the left-hand board.
6. Unplug five CRT side pin connectors (D66).
7. Remove the three screws holding the mumetal screen.

8. Remove the CRT and screen from the instrument by moving the CRT and screen towards the rear to clear the front panel; moving the forward end of the CRT to the left.

9. Remove adhesive tape and rear location moulding from the CRT (D66).

10. Remove CRT from screen.

11. Remove trace rotation coil and rubber packing from CRT.

4.2.4 CRT FITTING

Reverse the order detailed above 4.2.3. Ensure that the CRT forward end is located in the rubber moulding behind the front panel. If the trace rotation control does not provide an adequate range of adjustment reverse the trace rotation plug.

4.3 CALIBRATION

4.3.1 The following procedure enables a full calibration of the instrument to be accomplished. If any operations are carried out in isolation, regard should be paid to the risk of interaction with other adjustments also to control settings and waveforms applied in earlier steps.

The following tools and equipment shall be required:

1. Calibrator, Telequipment Type C1A or Item 2.
2. Time Marker Generator and an accurate voltage source.
3. Signal Generator.
4. Terminator, 50 Ω . If alternative to 1 above is used, a suitable matching terminator should be used.
5. Variac with a $\pm 10\%$ facility.
6. Oscilloscope with 100 mV/Div sensitivity.
7. Voltmeter.
8. X1 Probe.
9. X10 Probe.
10. Non capacitive trimming tool.
11. Screwdrivers with various width blades.

4.3.2 SWEEP SPEED CHECK

1. Switch CH1 and CH2 on.
2. Set VOLTS/DIV to 100 mV.
3. Turn VARIABLE fully clockwise and release for X1.
4. Set DC-GND-AC to DC.
5. Push FINE for X1.
6. Set TIME/DIV to 10 ms.
7. Turn VARIABLE (speed) fully clockwise.
8. Connect INPUT 1 & 2 to CAL.
9. Adjust STABILITY for locked display.
10. Check Sweep Speed = 1 cycle/2 divs. for 50 Hz supply
3 cycles/5 divs. for 60 Hz supply
for 400 Hz supply set TIME/DIV to 1 ms
check Sweep Speed = 2 cycles/5 divs.

4.3.3 GAIN CHECK

1. Repeat 1 through 5 above.
2. Connect CAL to INPUT 1.
3. Adjust CH1 POSITION, Trigger and Sweep controls for convenient display.
4. Check amplitude = 5 divs. if incorrect adjust R617.
5. Connect CAL to INPUT 2.
6. Adjust CH2 POSITION, Trigger and Sweep controls for convenient display.
7. Check amplitude = 5 divs., if incorrect adjust R691.

NOTE: VARIABLES must remain fully clockwise.

4.3.4 PROBES

Reference 2.1.6, sub-para 2, GATE OUT.

4.3.5 PRELIMINARY PROCEDURE

1. With the instrument disconnected from the power supply, remove the cabinet sides as detailed in 4.2.2.
2. Insert the voltage-selector plug in the rear panel with the arrow indicating the nominal voltage of the local A.C. supply or the nearest value to it.
3. Connect the Oscilloscope's power cable to a Variac. The cores of the cable are alternatively colour-coded as follows.

LINE	NEUTRAL	EARTH (Chassis)
Brown Black	Blue White	Green/Yellow Green

4. Set all preset pots to mid position.
5. Set front-panel controls as follows:

POSITION (CH1 & 2)	Central
OFF-ON (CH1 & 2)	OFF
ALL VARIABLES	fully clockwise
STABILITY	fully clockwise
POSITION (horizontal)	Mid position
FINE	Central and pushed in
All push buttons	released
6. Connect the Variac to the power supply, switch on power supply and allow oscilloscope to warm up.
7. Adjust the Variac to give the same voltage as that indicated by the voltage-selector plug.
8. Adjust BRILLIANCE for reasonable setting.
9. Adjust FOCUS and ASTIG.

4.3.6 SWEEP AND TRIGGER

- 1.0 To set auto and trigger sensitivity R17 and R34, PC110
- 1.1 Set VARIABLE (speed) to EXT X.
- 1.2 Release all Buttons.
- 1.3 Press EXT TRIG.
- 1.4 Set CH1 and CH2 DC-GND-AC to GND.
- 1.5 Connect Test Oscilloscope to TR3 collector tag 62, PC110. (Reference Fig 10)
- 1.6 Set Oscilloscope to 0.1 volts/div and 20 ms/div.
- 1.7 Turn R34 fully anti-clockwise.
- 1.8 Adjust R17 to the centre of the range over which a continuous oscillation, at 1 MHz approximately, is observed on the Test Oscilloscope.

- 1.9 Turn R34 slightly clockwise.
- 1.10 Reset R17 to the centre of the oscillation range.
- 1.11 Repeat 1.7 through 1.9 until the oscillation develops into a triangular waveform at 20 Hz approx.
- 1.12 Adjust R17 and R34 to give a symmetrical waveform of 70 mV peak to peak.

- 2.0 To set gate potential: R93, PC110
- 2.1 Connect Test Oscilloscope to Tag 21, PC110.
- 2.2 Turn STABILITY fully anti-clockwise.
- 2.3 Turn VARIABLE (speed) fully clockwise.
- 2.4 Adjust R93 for 2 V negative potential with respect to GND.

- 3.0 To set sweep length: R103, PC110
- 3.1 Connect Test Oscilloscope to Tag 23, PC110.
- 3.2 Turn STABILITY fully clockwise.
- 3.3 Adjust R106 for a total sweep amplitude of 10 V.
- 3.4 Disconnect Test Oscilloscope.
- 3.5 Release EXT TRIG.
- 3.6 Set CHOP-SUM-ALT to ALT.

4.3.7 VERTICAL AMPLIFIER (supply variation compensation)

- 1.0 To set CH1 supply variation: CH1 on, CH2 off, PC115
- 1.1 Set VOLTS/DIV to 10 mV.
- 1.2 Set DC-GND-AC to DC.
- 1.3 Connect Calibrator to INPUT 1.
- 1.4 Set calibrator to 5 mV peak to peak, 1 kHz squarewave.
- 1.5 Press VARIABLE for X10 gain.
- 1.6 Set POSITION to centre of range.
- 1.7 Adjust R642 until trace appears.
- 1.8 Set R618 for 5 div deflection approximately.
- 1.9 Adjust STABILITY for free-run trace.
- 1.10 Set DC-GND-AC to GND.
- 1.11 Adjust R642 to centralize trace.
- 1.12 Reduce supply voltage by 10%.
- 1.13 Note direction, if trace moves in the vertical axis.
- 1.14 Adjust R622 slightly to move trace in the direction noted in 1.13 above.
- 1.15 Increase supply to normal.
- 1.16 Adjust R642 to centralize trace.
- 1.17 Repeat 1.12 through 1.16 until trace movement is reduced to a minimum, when the Variac setting is varied between $\pm 10\%$.

- 2.0 To set CH2 supply variation: CH1 off, CH2 on, PC115
- 2.1 Set VOLTS/DIV to 10 mV.
- 2.2 Set DC-GND-AC to DC.
- 2.3 Connect Calibrator to INPUT 2.

- 2.4 Set Calibrator to 5 mV peak to peak 1 kHz squarewave.
- 2.5 Press VARIABLE for X10 gain.
- 2.6 Set POSITION to centre of range.
- 2.7 Adjust R669 until trace appears.
- 2.8 Set R693 for a 5 div deflection approximately.
- 2.9 Adjust STABILITY for free-run trace.
- 2.10 Remove signal by earthing input.
- 2.11 Adjust R669 to centralize trace.
- 2.12 Reduce supply voltage by 10%.
- 2.13 Note direction, if trace moves in the vertical axis;
- 2.14 Adjust R697 slightly to move trace in the direction noted in 2.13 above.
- 2.15 Increase supply to normal.
- 2.16 Adjust R669 to centralize trace.
- 2.17 Repeat 2.12 through 2.16 until trace movement is reduced to a minimum, when the Variac setting is varied between $\pm 10\%$.
- 2.18 Disconnect Calibrator.
- 3.0 To check supply fluctuation.
- 3.1 Switch CH1 on and check CH2 is on.
- 3.2 Alter Variac setting rapidly between $\pm 5\%$.
- 3.3 Check that both traces do not bounce more than 1mm. If bounce is excessive repeat Op. 1.0 & 2.0 above.

4.3.8 CRT (Geometry)

- 1.0 To set geometry R301. PC112
- 1.1 Connect Signal Generator to INPUT 1.
- 1.2 Set Signal Generator to at least 100 kHz sinewave.
- 1.3 Switch CH2 off.
- 1.4 Set TIME/DIV for close spaced raster, 10 sinewaves/div approximately.
- 1.5 Push FINE for X1 gain.
- 1.6 Set CH1 VOLTS/DIV to 10 mV.
- 1.7 Adjust Signal Generator's amplitude to provide a raster with top and bottom edges just visible in the display area.
- 1.8 Adjust R301 for minimum curvature at the edges of the raster.
- 1.9 Disconnect the Signal Generator.

4.3.9 VERTICAL AMPLIFIER (D.C. and L.F. setting)

- 1.0 To set CH1 VARIABLE and POSITION balance: R625 and R642. PC115
- 1.1 Check CH1 on, CH2 off.
- 1.2 Set VARIABLE fully clockwise.
- 1.3 Set VOLTS/DIV to 10 mV.
- 1.4 Set DC-GND-AC to GND.
- 1.5 Adjust POSITION to align trace with graticule centre line.
- 1.6 Push VARIABLE for X10 gain.
- 1.7 Adjust R642 to centralize trace.
- 1.8 Release VARIABLE for X1 gain.

- 1.9 Repeat 1.5 through 1.8 until no trace movement occurs when operating VARIABLE.
- 1.10 Push VARIABLE for X10 gain.
- 1.11 Turn VARIABLE fully anti-clockwise.
- 1.12 Adjust R625 to centralize trace.
- 1.13 Turn VARIABLE fully clockwise.
- 1.14 Repeat 1.11 through 1.13 until there is no movement when VARIABLE is turned through its range.

2.0 To set CH2 POSITION balance: R669. PC115

- 2.1 Switch CH2 on.
- 2.2 Push both VARIABLES for X10 gain.
- 2.3 Set both DC-GND-AC to GND.
- 2.4 Turn both VARIABLES full / clockwise.
- 2.5 Set CHOP-SUM-ALT to ALT.
- 2.6 Centralize both traces.
- 2.7 Set CHOP-SUM-ALT to SUM.
- 2.8 Adjust R669 to centralize trace.
- 2.9 Repeat 2.5 through 2.8 until no trace movement occurs.

3.0 To set CH2 VARIABLE balance: R701. PC115

- 3.1 CH1 off. Check CH2 is on.
- 3.2 Set VARIABLE fully clockwise.
- 3.3 Set VOLTS/DIV to 10 mV.
- 3.4 Set DC-GND-AC to GND.
- 3.5 Adjust POSITION to align trace with graticule centre line.
- 3.6 Push VARIABLE for X10 gain.
- 3.7 Turn VARIABLE fully anti-clockwise.
- 3.8 Adjust R701 to centralize trace.
- 3.9 Repeat 3.8 until there is no movement when VARIABLE is turned through its range.

4.0 To set CH1 X1 gain: R617. PC115

- 4.1 Switch CH1 on, CH2 off.
- 4.2 Set VOLTS/DIV to 10 mV.
- 4.3 Release VARIABLE for X1 gain.
- 4.4 Press INT TRIG 1.
- 4.5 Set TIME/DIV to 1 ms.
- 4.6 Set DC-GND-AC to DC.
- 4.7 Connect Calibrator to INPUT 1.
- 4.8 Set Calibrator to 50 mV peak to peak 1 kHz square-wave.
- 4.9 Adjust R617 to give 5 div amplitude.

5.0 To set CH1 X10 gain: R618. PC115

- 5.1 Set Calibrator to 5 mV peak to peak.
- 5.2 Push VARIABLE for X10 gain.
- 5.3 Adjust R618 to give 5 div amplitude.

6.0 To set CH2 X1 gain: R691. PC115

NOTE: Operations 6.0 and 7.0 assume that CH1 gain, Ops 4.0 and 5.0 have been accurately set.

- 6.1 Switch CH1 off, CH2 on.
 - 6.2 Set both VOLTS/DIV to 10 mV.
 - 6.3 Turn VARIABLE fully clockwise.
 - 6.4 Set DC-GND-AC to DC.
 - 6.5 Release VARIABLE for X1 gain.
 - 6.6 Press INT TRIG 2.
 - 6.7 Switch CH1 on. Set CHOP-SUM-ALT to ALT.
 - 6.8 Adjust POSITION to centralize traces.
 - 6.9 Connect Calibrator to INPUT 2.
 - 6.10 Set Calibrator to 50 mV peak to peak 1 kHz square-wave.
 - 6.11 Adjust R691 for 5 div amplitude.
 - 6.12 Switch CH1 on.
 - 6.13 Connect Calibrator to INPUT 1 & 2.
 - 6.14 Check channels for identical traces.
- 7.0 To set CH2 X10 gain: R693. PC115
- 7.1 Set Calibrator to 5 mV peak to peak.
 - 7.2 Push both VARIABLES for X10 gain.
 - 7.3 Adjust R693 for 5 div amplitude.
 - 7.4 Check channels for identical traces.

8.0 To set CH1 input and neutralizing capacities: C601 and C604. PC115

- 8.1 Connect Calibrator to INPUT 1.
- 8.2 Switch CH1 on, CH2 off.
- 8.3 Press INT TRIG 1.
- 8.4 Turn VARIABLE fully clockwise.
- 8.5 Set VOLTS/DIV to 10 mV.
- 8.6 Release VARIABLE for X1 gain.
- 8.7 Set DC-GND-AC to DC.
- 8.8 Set Calibrator to 50 mV, 1 kHz squarewave.
- 8.9 Adjust C604 for square corner with a non-capacitive trimming tool.
- 8.10 Turn VARIABLE fully anti-clockwise.
- 8.11 Adjust C601 for square corner (increase signal amplitude if required).
- 8.12 Turn VARIABLE fully clockwise.
- 8.13 Repeat 8.8 through 8.11 until a square corner is maintained at the extreme positions of the VARIABLE control.

9.0 To set CH2 input and neutralizing capacities: C634 and C636. PC115

- 9.1 Connect Calibrator to INPUT 2.
- 9.2 Switch CH2 on, CH1 off.
- 9.3 Press INT TRIG 2.
- 9.4 Turn VARIABLE fully clockwise.

- 9.5 Set VOLTS/DIV to 10 mV.
- 9.6 Release VARIABLE for X1 gain.
- 9.7 Set DC-GND-AC to DC.
- 9.8 Set Calibrator to 50 mV 1 kHz squarewave.
- 9.9 Adjust C636 for square corner with a non-capacitive trimming tool.
- 9.10 Turn the VARIABLE fully anti-clockwise.
- 9.11 Adjust C634 for square corner (increase signal amplitude if required).
- 9.12 Turn VARIABLE fully clockwise.
- 9.13 Repeat 9.8 through 9.11 until a square corner is maintained at the extreme positions of the VARIABLE control.

4.3.10 ATTENUATOR (adjustment)

- 1.0 To set CH1 Attenuator compensation. PC73
- 1.1 Switch CH1 on.
- 1.2 Connect Calibrator to INPUT 1.
- 1.3 Press INT TRIG 1.
- 1.4 DC-GND-AC, Set CH1 to DC, CH2 to GND.
- 1.5 Turn VARIABLE fully clockwise.
- 1.6 Set VOLTS/DIV to Col. 1 below.
- 1.7 Set Calibrator to Col. 2.
- 1.8 Adjust trimmer, Col. 3, for square corner.
- 1.9 Repeat 1.6 through 1.8 until trimmers in Col.3 have been adjusted.

VOLTS/DIV	Squarewave 1 kHz	Adjust
1	2	3
Volt 20 m	Volt 0.1	C914
50 m	0.25	C911
0.1	0.5	C907
0.2	1	C912
0.5	2.5	C908
1	5	C904

1.10 Connect a compensated X10 probe between Calibrator and INPUT 1.

1.11 Repeat 1.6 through 1.8 with reference to table below.

VOLTS/DIV	Squarewave 1 kHz	Adjust
1	2	3
Volt 0.1	Volt 5	C905 (0.2 V probe)
1	50	C902 (1.0 V probe)

1.12 Disconnect Calibrator and probe.

- 2.0 To set CH2 Attenuator compensation. PC73
- 2.1 Connect Calibrator to INPUT 2.
- 2.2 Check CH2 is on.
- 2.3 Press INT TRIG 2.
- 2.4 DC-GND-AC. Set CH1 to GND, CH2 to DC.
- 2.5 Carry out operation 1.5 through 1.12 above, using the respective CH2 controls.

4.3.11 HORIZONTAL AMPLIFIER (gain & timing)

- 1.0 To set sweep speed and trace length: C65, C67, C207, R106, R131, R132. PC110
- 1.1 Push FINE for X1 gain.
- 1.2 Set TIME/DIV for 1 ms.
- 1.3 Connect Marker Generator to INPUT 1.
- 1.4 Set Marker Generator to 1 ms.
- 1.5 Switch CH1 on.
- 1.6 Press INT TRIG 1.
- 1.7 Adjust R132 for correct timing, 1 pulse/div.
- 1.8 Adjust R106 for 10.2 div trace length.
- 1.9 Set TIME/DIV for 0.1 μ s.
- 1.10 Adjust C67 for 10.2 div.
- 1.11 Set Marker Generator to 100 μ s.
- 1.12 Set TIME/DIV to 1 ms.
- 1.13 Pull FINE out for X5 gain.
- 1.14 Adjust R131 for 2 markers/div.
- 1.15 Disconnect Marker Generator.
- 1.16 Connect Signal Generator to INPUT 1.
- 1.17 Push FINE X1 gain.
- 1.18 Set TIME/DIV to 0.1 μ s.
- 1.19 Set Signal Generator to 10 MHz sinewave.
- 1.20 Adjust C65 for linearity of timing at the start of the trace.
- 1.21 Adjust C207 (T/D switch) for 1 cycle/div.

- 2.0 To set EXT X compensation: C2. PC110
- 2.1 Connect Calibrator to EXT X socket.
- 2.2 Set Calibrator to approximately 700 mV peak to peak, 100 kHz squarewave.
- 2.3 Set VARIABLE (speed) to EXT X.
- 2.4 Pull FINE for X5 gain.
- 2.5 Observe trace equals 3.5 divs approximately.
- 2.6 Adjust C2 to remove over and under shoot.
- 2.7 Disconnect Calibrator.
- 2.8 Push FINE for X1 gain.
- 2.9 Turn VARIABLE (speed) fully clockwise.

4.3.12 SWEEP (Single Shot adjustment)

- 1.0 Set Single shot: R112. PC110
- 1.1 Switch CH1 on, CH2 off.

- 1.2 Press INT TRIG 1.
 - 1.3 Set DC-GND-AC to AC.
 - 1.4 Connect Signal Generator to INPUT 1.
 - 1.5 Set Signal Generator to 50 mV squarewave, 1-20 kHz to give 5 divisions display.
 - 1.6 Set TIME/DIV to 1 ms.
 - 1.7 Press AC (Trig Mode).
 - 1.8 Adjust STABILITY and LEVEL for locked display.
 - 1.9 Press SINGLE SHOT.
 - 1.10 Turn R112 slightly anti-clockwise.
 - 1.11 Press RESET.
 - 1.12 Observe if single sweep occurs.
 - 1.13 Repeat 1.9 through 1.12 until single sweep fails to occur and note slot position of R112.
 - 1.14 Set TIME/DIV to 0.1 μ s.
 - 1.15 Turn R112 slightly clockwise.
 - 1.16 Press RESET.
 - 1.17 Observe Neon.
 - 1.18 Repeat 1.15 through 1.17 until single sweep fails to occur and note slot position of R112.
- NOTE: The sweep and neon light should be too fast to observe, however, failure to single sweep is indicated by the neon remaining on.
- 1.19 Set R112 midway between positions noted in 1.13 and 1.18.
 - 1.20 Set DC-GND-AC to GND.
 - 1.21 Press RESET, observe neon light.
 - 1.22 Set DC-GND-AC to AC.
 - 1.23 Observe neon extinguishes, indicating sweep has occurred.
 - 1.24 Disconnect Signal Generator.
 - 1.25 Press REP.

4.3.13 X-Y MODE (CH2 gain)

- 1.0 To set X-Y gain: R787. T/D switch
- 1.1 Connect Calibrator to INPUT 2.
- 1.2 Set Calibrator to 50 mV peak to peak at 1 kHz squarewave.
- 1.3 Set VOLTS/DIV to 10 mV.
- 1.4 Push VARIABLE (speed) for X - Y operation.
- 1.5 Adjust R787 for 5 div trace on X axis.
- 1.6 Release VARIABLE (speed).

4.3.14 VERTICAL AMPLIFIER (Pulse Response)

- 1.0 To set CH1 neutralization C605 and C608. PC115
- 1.1 Connect Calibrator to 50 Ω Terminator.

NOTE: Reference 4.3.1. Item 4.

- 1.2 Connect Terminator to INPUT 1.
- 1.3 Set Calibrator to 1 MHz squarewave.

- 1.4 Switch CH1 on, CH2 on.
- 1.5 Press INT TRIG 1.
- 1.6 DC-GND-AC. Set CH1 to DC, CH2 to GND.
- 1.7 Set VOLTS/DIV to 10 mV.
- 1.8 Set TIME/DIV to 0.2 μ s.
- 1.9 Adjust CH1 squarewave amplitude for a 5 div trace.
- 1.10 Adjust C605 and C608 to minimize interaction of CH1 trace on CH2.

NOTE: The physical settings of C605 and C608 should be approximately equal; this is determined by the relative positions of the rotor and stator vanes.

- 2.0 To set CH2 neutralization; C625 and C631. PC115
- 2.1 Connect Calibrator to 50 Ω Terminator.
- 2.2 Connect Terminator to INPUT 2.
- 2.3 Set Calibrator to 1 MHz squarewave.
- 2.4 Press INT TRIG 2.
- 2.5 DC-GND-AC. Set CH1 to GND, CH2 to DC.
- 2.6 Set VOLTS/DIV to 10 mV.
- 2.7 Set TIME/DIV to 0.2 μ s.
- 2.8 Adjust CH2 squarewave amplitude for a 5 div trace.
- 2.9 Adjust C625 and C631 to minimize interaction of CH2 trace on CH1.

NOTE: The physical settings of C625 and C631 should be approximately equal; this is determined by the relative positions of the rotor and stator vanes.

- 3.0 Set H.F. frequency response: C606, C619, C621, C632, R614, R681, R656, L752 & L753. PC115

CAUTION: The resultant settings of this procedure are extremely critical. Inaccuracies will have an adverse affect on bandwidth and pulse response.

- 3.1 Connect Calibrator to INPUT 1 via terminator. Reference 4.3.1. Item 4.
- 3.2 Set TIME/DIV to 5 μ s.
- 3.3 Turn R614 fully clockwise.
- 3.4 Turn C606 until stator and rotating vanes are visible.
- 3.5 Screw out cores of L752 & L753.
- 3.6 Set Calibrator to 100 kHz of 3 div amplitude approximately.
- 3.7 Press INT TRIG 1.
- 3.8 Set DC-GND-AC to DC.
- 3.9 Adjust STABILITY for a locked display.
- 3.10 Adjust C619 for corners without overshoot.
- 3.11 Set Calibrator to 1 MHz squarewave.

- 3.12 Set TIME/DIV to 0.2 μ s.
- 3.13 Adjust R656 and C621 alternatively for optimum squarewave.

NOTE: Turn R656 clockwise until a point is reached immediately prior to the squarewave deterioration.

- 3.14 Set TIME/DIV to 5 μ s.
- 3.15 Check for flatness of wave top.
- 3.16 Repeat 3.12 through 3.15 until a squarewave is displayed.
- 3.17 Set TIME/DIV to 0.2 μ s.
- 3.18 Adjust C606 for maximum overshoot.
- 3.19 Turn R614 slightly anti-clockwise to eliminate the H.F. oscillation on the trailing edge of the first overshoot.
- 3.20 Adjust C606 to eliminate overshoot.
- 3.21 Gradually screw in the cores of L752 and L753 alternately until the leading edge of the squarewave is vertical without overshoot.
- 3.22 Connect Calibrator to INPUT 2.
- 3.23 Press INT TRIG 2.
- 3.24 Adjust STABILITY for a locked display.
- 3.25 Turn R681 fully clockwise.
- 3.26 Adjust C632 for maximum overshoot.
- 3.27 Turn R681 slightly anti-clockwise to eliminate H.F. oscillation on the trailing edge of the first overshoot.
- 3.28 Adjust C632 to eliminate overshoot.
- 3.29 Check CH1 and CH2 for similar pulse responses.
- 3.30 Check that the 3 dB bandwidths of both channels are better than,
for D65 15 MHz at X1 gain and 10 MHz at X10;
D66 25 MHz at X1 gain and 15 MHz at X10.

4.3.15 CALIBRATOR

- 1.0 To set internal 500 mV calibrator: R416. PC112
 - 1.1 Connect Calibrator to INPUT 1.
 - 1.2 Set VOLTS/DIV to 100 mV.
 - 1.3 Turn VARIABLE fully clockwise.
 - 1.4 Press INT TRIG 1.
 - 1.5 Set CH1 DC-GND-AC to DC.
 - 1.6 Set Calibrator to an accurate 500 mV peak to peak squarewave.
- NOTE: The precise amplitude of display should be 5 divisions if 4.3.6 Op. 4.0 has been correctly carried out.
- 1.7 Connect CAL to INPUT 1.
 - 1.8 Adjust R416 for exactly the same amplitude as found in Op. 1.6.

For Service Manuals Contact
MAURITRON TECHNICAL SERVICES
8 Cherry Tree Rd, Chinnor
Oxon OX9 4QY
Tel:- 01844-351694 Fax:- 01844-352554
Email:- enquiries@mauritron.co.uk

SECTION 5

COMPONENT LIST

Values of resistors are stated in ohms or multiples of ohms; ratings at 70°C are in watts or sub-multiples of watts. Values of capacitors are stated in sub-multiples of farads; ratings at 70°C are in volts or kilovolts.

Whenever possible, exact replacements for components should be used, although locally available alternatives may be satisfactory for standard components.

Any order for replacement parts should include:

- | | |
|---------------------------------|---------------------------|
| 1. Instrument Type. | 4. Component Part Number. |
| 2. Instrument Serial Number. | 5. Component Value. |
| 3. Component Circuit Reference. | |

NOTE: Where the component details of the D65 & D66 differ, the circuit reference are quoted in the component list, less details which are listed in the relevant appendix of this section.

CIRCUIT REFERENCE BLOCKS

The table below gives the blocks of circuit references, so that the reader can relate the items listed in this Section and their location in the circuitry and printed circuit boards in Section 6.

Circuit Reference		Circuit	Figure	P.C. Board No.
From	To			
1	50	Sweep Trigger Sweep Generator, Horizontal and Blanking Amp. } Time/div	5	110
51	150		6	110
201	250	CRT	7	116
301	400	Power supply	8 & 14	110 & 112
401	600	Vertical Amp. input	9 & 15	112
601	750	Vertical Amp. output	3	115
751	900	Attenuator	4 & 13	119
901	999		2	73

ABBREVIATIONS

C Carbon	Ge Germanium	Se Selenium
CP Carbon preset	MF Metal film	Si Silicon
CV Carbon variable	MO Metal oxide	SM Silver Mica
CER Ceramic	PE Polyester	WW Wire-wound
CT Ceramic trimmer	PP Polypropylene	WWP Wire-wound preset
CM Cermet thick film	PS Polystyrene	WWV Wire-wound variable
E Electrolytic		

TEKTRONIX U.K. LIMITED

36 - 38 Coldharbour Lane, Harpenden, Hertfordshire, England.

Telephone: Harpenden 63141 Telex: 25559

All requests for repairs or replacement parts should be directed to the Tektronix Field Office or representative in your area. This procedure will assure you the fastest possible service. In the U.K. requests to be made to Harpenden.

ELECTRICAL

CIR REF	PART NUMBER	VALUE F	DESCRIPTION		
			TYPE	TOL %	RATING V
C2	281-0156-00	1.4-6.4 p	PP		500
C3	285-1078-00	1.5 μ	PE	20	63
C4	285-1078-00	1.5 μ	PE	20	63
C6	281-0734-00	100 n	CER		30
C7	281-0678-00	3 p	CER	0.1 p	500
C8	281-0678-00	3 p	CER	0.1 p	500
C11	285-1078-00	1 μS	PE	20	63
C12	290-0546-00	15 μ	E		16
C13	285-0982-00	82 p	PS	1 p	350
C14	285-0850-00	1 n	PS	5	125
C15	285-0854-00	100 p	PS	2	350
C16	290-0497-00	100 μ	E		25
C60	285-0854-00	100 p	PS	2 p	350
C61	281-0678-00	3 p	CER	0.1 p	500
C62	285-0854-00	100 p	PS	2 p	350
C63	285-0867-00	20 p	PS	1 p	350
C64	281-0710-00	10 n	CER		250
C65	281-0154-00	2-12 p	PP		500
C66	285-0842-00	15 p	PS	1 p	350
C67	281-0154-00	2.12 p	PP		500
C68	285-0776-00	27 p	PS	1 p	350
C69	285-0915-00	100 n	PE	20	100
C70	285-0946-00	470 n	PE	20	250
C71	285-0869-00	47 p	PS	2 p	350
C72	281-0734-00	100 n	CER		30
C73	285-0873-00	200 p	PS	5	350
C74	285-0869-00	47 p	PS	2 p	350
C75	285-0791-00	470 n	PE	10	125
C76	281-0734-00	100 n	CER		30
C201	285-0869-00	47 p	PS	2 p	350
C202	285-0844-00	39 p	PS	2 p	350
C203	285-0769-00	10 n	PE	20	400
C204	285-0990-00	1 μ	PE	20	160
C205	285-0941-00	80 p	PS	1 p	350
C206	285-1146-00	10 n	PS	1	63

CIR REF	PART NUMBER	VALUE F	DESCRIPTION		
			TYPE	TOL %	RATING V
C207	281-0732-00	3-12 p	CT		350
C208	285-0943-00	1 μ	PC	1	63
C209	285-0866-00	10 p	PS	1	350
C306	281-0682-00	20 n	CER		2k
C402					
C403					
C404	290-0540-00	15 μ	E		450
C405	290-0540-00	15 μ	E		450
C406	290-0540-00	15 μ	E		450
C407	290-0624-00	2.2 m	E		40
C408	290-0624-00	2.2 m	E		40
C409	290-0540-00	15 μ	E		450
C410					
C411					
C412	290-0500-00	470 μ	E		100
C413	290-0500-00	470 μ	E		100
C414	290-0624-00	2.2 m	E		40
C415	290-0624-00	2.2 m	E		40
C416	290-0624-00	2.2 m	E		40
C417	285-0874-00	470 p	PS	5	125
C418	290-0647-00	330 μ	E		160
C419	290-0624-00	2.2 m	E		40
C421	290-0647-00	330 μ	E		160
C422	290-0624-00	2.2 m	E		40
C423	290-0624-00	2.2 m	E		40
C424	281-0734-00	100 n	CER		30

For Service Manuals Contact
MAURITRON TECHNICAL SERVICES
 8 Cherry Tree Rd, Chinnor
 Oxon OX9 4QY
 Tel: 01844-351694 Fax: 01844-352554
 Email: enquiries@mauritron.co.uk

CIR REF	PART NUMBER	DESCRIPTION			
		VALUE F	TYPE	TOL %	RATING V
C601	281-0157-00	5.5-65.5p	PP		500
C602	285-0845-00	68 p	PS	2 p	350
C603	281-0723-00	1.8 p	CER	0.1 p	500
C604	281-0156-00	1.4-6.4 p	PP		500
C605	281-0156-00	1.4-6.4 p	PP		500
C606	281-0157-00	5.5-65.5p	PP		500
C607	281-0734-00	100 n	CER		30
C608	281-0156-00	1.4-6.4 p	CER		500
C609	281-0723-00	1.8 p	CER	0.1 p	500
C610	285-0791-00	470 n	PE	20	250
C611	285-0790-00	10 n	PE	20	125
C612	285-0788-00	100 n	PE	10	125
C613	285-0854-00	100 p	PS	2 p	350
C616	* 281-0710-00	10 n	CER		250
C617	281-0676-00	2.2 p	CER	0.1 p	500
C618	281-0713-00	10 p	CER	0.25 p	750
C619	281-0155-00	2-22 p	PP		500
C620	281-0734-00	100 n	CER		30
C621	281-0155-00	2-22 p	PP		500
C622	285-0854-00	100 p	PS	2p	350
C623	281-0734-00	100 n	CER		30
C624	290-0494-00	47 μ	E		25
C625	281-0156-00	1.4-6.4 p	CER		500
C626	281-0734-00	100 n	CER		30
C627	281-0723-00	1.8 p	CER	0.1 p	500
C628	285-0790-00	10 n	PE	20	125
C629	285-0788-00	100 n	PE	10	125
C630	285-1046-00	100 n	PE	20	160
C631	281-0156-00	1.4-6.4 p	PP		500
C632	281-0157-00	5.5-65.5 p	PP		500
C633	281-0723-00	1.8 p	CER	0.1 p	500
C634	281-0156-00	1.4-6.4 p	PP		500
C635	285-0845-00	68 p	PS	2 p	350
C636	281-0157-00	5.5-65.5p	PP		500
C637	281-0710-00	10 n	CER		250
C638	290-0493-00	22 μ	E		16
C641	285-0994-00	470 n	PE	20	100
C642	281-0734-00	100 n	CER		30

CIR REF	PART NUMBER	DESCRIPTION			
		VALUE F	TYPE	TOL %	RATING V
C751	281-0678-00	3 p	CER	0.1 p	500
C752	285-0795-00	220 n	PE	20	250
C753	281-0710-00	10 n	CER		250
C754	281-0710-00	10 n	CER		250
C755	281-0713-00	10 p	CER	0.25 p	750
C756	281-0713-00	10 p	CER	0.25 p	750
C757	285-0920-00	56 p	PS	2 p	350
*C901	285-0772-00	100 n	PE	10	400
*C902	281-0145-00	6-25 p	CT		500
*C903	285-0810-00	820 p	PS	5	125
*C904	281-0136-00	3-10 p	CT		500
*C905	281-0145-00	6-25 p	CT		500
*C906	285-0869-00	47 p	PS	2 p	350
*C907	281-0136-00	3-10 p	CT		500
*C908	281-0145-00	6-25 p	CT		500
*C909	285-0842-00	15 p	PS	1 p	350
*C911	281-0136-00	3-10 p	CT		500
*C912	281-0136-00	3-10 p	CT		500
*C913	283-0653-00	5 p	SM	10	350
*C914	281-0145-00	6-25 p	CT		500

CIR REF	PART NUMBER	VALUE V	DESCRIPTION	TYPE	TOL %	RATING
D1	152-0062-01		1N914	Si		75 V
D2	152-0062-01		1N914	Si		75 V
D3	152-0370-00		AAV30	Ge		
D64	152-0062-01		1N914	Si		75 V
D65	152-0062-01		1N914	Si		75 V
D66	152-0062-01		1N914	Si		75 V
D67	152-0483-00		25 pA leakage current at - 6 V and 25 °C			
D68	152-0062-01		1N914	Si		75 V
D69	152-0494-00	75	Zener	Si	5	700 mW
D71	152-0062-01		1N914	Si		75 V
D72	152-0062-01		1N914	Si		75 V
D73	152-0062-01		1N914	Si		75 V
D74	152-0062-01		1N914	Si		75 V
D75	152-0062-01		1N914	Si		75 V
D76	152-0062-01		1N914	Si		75 V
D77	152-0062-01		1N914	Si		75 V
D78	152-0062-01		1N914	Si		75 V
D79	152-0062-01		1N914	Si		75 V
D81	152-0062-01		1N914	Si		75 V
D82	152-0062-01		1N914	Si		75 V
D83	152-0062-01		1N914	Si		75 V
D84						
D85	152-0062-01		1N914	Si		75 V
D301	152-0344-00	100	Zener	Si		
D401						
D402						
D403	152-0341-00	450	Rectifier	Si		500 mA
D404	152-0515-00	6 k	Rectifier	Si		8 mA
D405	152-0515-00	6 k	Rectifier	Si		8 mA
D406	152-0341-00	450	Rectifier	Si		500 mA
D407	152-0339-00	50	Rectifier	Si		500 mA
D408	152-0339-00	50	Rectifier	Si		500 mA
D410	152-0515-00	6 k	Rectifier	Si		8 mA
D411	152-0515-00	6 k	Rectifier	Si		8 mA
D412	152-0339-00	50	Rectifier	Si		500 mA
D413	152-0339-00	50	Rectifier	Si		500 mA
D414	152-0062-01		1N914	Si		75 V
D415	152-0062-01		1N914	Si		75 V
D416	152-0062-01		1N914	Si		75 V

For Service Manuals Contact
MAURITRON TECHNICAL SERVICES
8 Cherry Tree Rd, Chinnor
Oxon OX9 4QY
Tel:- 01844-351694 Fax:- 01844-352554
Email:- enquiries@mauriron.co.uk

CIR REF	PART NUMBER	VALUE	DESCRIPTION	TYPE	TOL %	RATING	Eff. Ser. No.
D601	152-0554-00		BAY74	S			
D603	152-0554-00		BAY74	S			
D604	152-0348-00	6.2 V	Zener	S	5	330 mW	
D605	152-0062-01		1N914	S		75 V	
D606	152-0062-01		1N914	S		75 V	
D607	152-0062-01		1N914	S		75 V	
D608	152-0062-01		1N914	S		75 V	
D609	152-0062-01		1N914	S		75 V	
D610	152-0554-00		BAY74	S			
D611	152-0348-00	6.2 V	Zener	S	5	330 mW	
D612	152-0554-00		BAY74	S			
DL751	119-0155-00	200 ns	Delay line				
F401	159-0077-00		Fuse 1.25" delay 200 - 250 V			250 mA	
L61	108-0482-00	160 μ H	Fixed inductor				
L601	108-0482-00	160 μ H	Fixed inductor				
L602	108-0482-00	160 μ H	Fixed inductor				
L603	108-0665-00		60 turns on 220 Ω				
L751	108-0662-00	100 Ω	Trace rotation coil 945 turns				
L752	114-0301-00	4.7 μ H	Variable inductor				
L753	114-0301-00	4.7 μ H	Variable inductor				
	150-0182-00 D66						
LP401						750 mW	
LP402	150-0081-00	14 V	Capless			750 mW	
LP403	150-0081-00	14 V	Capless				

No.	CIR REF	PART NUMBER	VALUE ohms	DESCRIPTION		
				TYPE	TOL %	RATING W
	R1	317-0104-01	100 k	C	5	125 m
	R2	317-0224-01	220 k	C	5	125 m
	R3	317-0104-01	100 k	C	5	125 m
	R4	316-0273-01	27 k	C	10	250 m
	R5	317-0271-01	270	C	5	125 m
	R6	317-0152-01	1.5 k	C	5	125 m
	R7	317-0273-01	27 k	C	5	125 m
	R8	317-0222-01	2.2 k	C	5	125 m
	R9	317-0182-01	1.8 k	C	5	125 m
	R10	316-0225-01	2.2 M	C	10	250 m
	R11	317-0911-01	910	C	5	125 m
	R12	317-0332-01	3.3 k	C	5	125 m
	R13	317-0821-01	820	C	5	125 n.
	R14	317-0222-01	2.2 k	C	5	125 m
	*R15	311-1208-00	2.2 k	CV	20	250 m
	R16	317-0821-01	820	C	5	125 m
	R17	311-0719-00	470	CP	20	250 m
	R18	317-0222-01	2.2 k	C	5	125 m
	R19	317-0821-01	820	C	5	125 m
	R20	317-0221-01	220	C	5	125 m
	R21	317-0332-01	3.3 k	C	5	125 m
	R22	317-0222-01	2.2 k	C	5	125 m
	R23	317-0182-01	1.8 k	C	5	125 m
	R24	317-0102-01	1 k	C	5	125 m
	R25	317-0272-01	2.7 k	C	5	125 m
	R26					
	R27					
	R28	317-0393-01	39 k	C	5	125 m
	R29	317-0221-01	220	C	5	125 m
	R31	317-0223-01	22 k	C	5	125 m
	R32	317-0392-01	3.9 k	C	5	125 m
	R33	317-0222-01	2.2 k	C	5	125 m
	R34	311-0717-00	220	CP	20	125 m
	R35	317-0471-01	470	C	5	125 m
	R36	317-0682-01	6.8 k	C	5	125 m
	R37	317-0103-01	10 k	C	5	125 m
	R38	317-0222-01	2.2 k	C	5	125 m
	R39	317-0224-01	220 k	C	5	125 m
	R41	317-0182-01	1.8 k	C	5	125 m
	R42	317-0182-01	1.8 k	C	5	125 m
	R60	317-0332-01	3.3 k	C	5	125 m
	R61	317-0124-01	120 k	C	5	125 m
	R62	317-0681-01	680	C	5	125 m
	R63	317-0124-01	120 k	C	5	125 m
	R64	317-0104-01	100 k	C	5	125 m

CIR REF	PART NUMBER	VALUE ohms	DESCRIPTION			Eff. Ser. No.
			TYPE	TOL %	RATING W	
	R65	317-0104-01	100 k	C	5	125 m
	R66	315-0514-01	510 k	C	5	250 m
	R67	307-0147-00	8.2 k	MO	5	1.5
	R68	315-0152-02	1.5 k	C	5	250 m
	R69	317-0123-01	1.2 k	C	5	125 m
	R70	317-0123-01	1.2 k	C	5	125 m
	R71	307-0142-00	4.7 k	MO	5	1.5
	*R72	311-1208-00	2.2 k	CV	20	250 m
	R74	317-0472-01	4.7 k	C	5	125 m
	R75	317-0103-01	10 k	C	5	125 m
	R76					
	R77	315-0153-01	15k	CF	5	250m 5777
	R78	307-0144-00	10 k	MO	5	1.5
	R79	317-0473-01	4.7 k	C	5	125 m
	R80					
	R81	317-0331-01	3.3 k	C	5	125 m
	R82	317-0680-01	680	C	5	125 m
	R83	317-0361-01	360	C	5	125 m
	R84	317-0563-01	56 k	C	5	125 m
	R85	317-0392-01	3.9 k	C	5	125 m
	R86	317-0103-01	10 k	C	5	125 m
	R87	317-0101-01	100	C	5	125 m
	R88	317-0273-01	27 k	C	5	125 m
	R91	317-0154-01	150 k	C	5	125 m
	R92	317-0104-01	100 k	C	5	125 m
	R93	311-0802-00	4.7 k	CP	20	250 m
	R94	317-0272-01	2.7 k	C	5	125 m
	R95	317-0392-01	3.9 k	C	5	125 m
	R96	316-0106-01	10 M	C	10	250 m
	R97	316-0225-01	2.2 M	C	10	250 m
	R98	315-0103-01	10k	C	5	250m 5627
	R99	317-0333-01	3.3 k	C	5	125 m
	R101	317-0223-01	22 k	C	5	125 m
	R102	317-0105-01	1 M	C	5	125 m
	R103	321-0289-48	10 k	MF	1	125 m
	R104	317-0563-01	56 k	C	5	125 m
	R106	317-0393-01	39 k	C	5	125 m
	R108	311-0750-00	22 k	CP	20	250 m
	R107	317-0223-01	22 k	C	5	125 m
	R108	317-0183-01	18 k	C	5	125 m
	R109	317-0472-01	4.7 k	C	5	125 m
	R110	317-0392-01	3.9 k	C	5	125 m
	R111	317-0332-01	3.3 k	C	5	125 m
	R112	311-0750-00	22 k	CP	20	250 m
	R113	317-0332-01	3.3 k	C	5	125 m
	R114	317-0103-01	10 k	C	5	125 m
	R115	317-0472-01	4.7 k	C	5	125 m
	R116	317-0512-01	5.1 k	C	5	125 m
	†R118	311-1209-00	5 k	CV	20	250 m
	R119		1 k	CV	20	250 m
	R120	317-0680-01	68	C	5	125 m
	R121	317-0682-01	6.8 k	C	5	125 m

* Concentric pot

† Dual with S67

Eff. Ser. No.	CIR REF	PART NUMBER	VALUE ohms	DESCRIPTION TYPE	TOL %	RATING W
	R122	321-0289-48	10 k	MF	1	125 m
	R123	316-0273-01	27 k	C	10	250 m
	R124	317-0681-01	680	C	5	125 m
	R125					
	R126	317-0273-01	27 k	C	5	125 m
	R127	316-0683-01	68 k	C	10	250 m
	R128	317-0101-01	100	C	5	125 m
	R129	317-0124-01	120 k	C	5	125 m
	R130	317-0561-01	560	C	5	125 m
	R131	311-0712-00	100	CP	20	250 m
	R132	311-0913-00	1.5 k	CP	20	250 m
	R133	317-0101-01	100	C	5	125 m
	R134	317-0471-01	470	C	5	125 m
	R135					
	R136	321-0114-48	150	MF	1	125 m
	R137					
	R138	321-0844-48	2.2 k	MF	1	125 m
	R139	317-0331-01	330	C	5	125 m
	R140	317-0331-01	330	C	5	125 m
	R141					
	R143	321-0210-48	1.5 k	MF	1	125 m
	R144	317-0471-01	470	C	5	125 m
	R145	321-0877-48	62 k	MF	1	125 m
	R146	317-0272-01	2.7 k	C	5	125 m
	R147	317-0272-01	2.7 k	C	5	125 m
5807	R151	317-0272-01	2.7 k	C	5	125 m
	R152	317-0154-00	150k	C	5	125 m
	R202	317-0242-01	2.4 k	C	5	125 m
	R203	317-0302-01	3 k	C	5	125 m
	R204	317-0392-01	3.9 k	C	5	125 m
	R205	317-0153-01	15 k	C	5	125 m
	R206	321-0351-48	44.2 k	MF	1	125 m
	R207	316-0394-01	390 k	C	10	250 m
	R208	311-1211-00	100 k	CV	20	1
	R209	324-0585-40	12.1 M	MF	1	1
	R211	324-0556-40	6.04 M	MF	1	1
	R212	324-0614-40	3.6 M	MF	1	1
	R213	322-1448-40	1.21 M	MF	1	250m
	R214	321-0460-48	604 k	MF	1	125m
	R215	321-0935-48	360 k	MF	1	125m
	R216	321-0393-48	121 k	MF	1	125m
	R217	321-0364-00	60.4 k	MF	1	125m
	R218	321-0364-00	60.4 k	MF	1	125m

CIR REF	PART NUMBER	VALUE ohms	DESCRIPTION TYPE	TOL %	RATING W	Eff. Ser. No.
R301	311-0765-00	100 k	CP	20	250 m	
R302	311-0854-00	100 k	CV	20	100 m	
R303						
*R304	311-1210-00	1 M	CV	20	2	
R305						
*R306	311-1210-00	1 M	CV	20	2	
R307	316-0106-01	10 M	C	10	250 m	
R308	316-0105-01	1 M	C	10	250 m	
R309						
R310	316-0222-01	2.2 k	C	10	25 m	
R311	317-0105-01	1 M	C	5	125 m	
†R401	311-1213-00	100	CV	20	1	
R402	303-0151-01	150	C	5	1	
R403	317-0472-01	4.7 k	C	5	125 m	
R404	315-0271-02	270	C	5	250 m	
R406	315-0560-01	56	C	5	250 m	
R406	315-0271-02	270	C	5	250 m	
R407	317-0222-01	2.2 k	C	5	125 m	
R408	307-0331-00	39	MO	5	1.5	
R409	316-0270-01	27	C	10	250 m	
R411	317-0183-01	18 k	C	5	125 m	
R413	307-0351-00	120	MO	5	3.25	
R414	315-0680-01	68	C	5	250 m	
R415	316-0220-01	22	C	10	250 m	
R416	311-0735-00	10 k	CP	20	250 m	

For Service Manuals Contact
MAURIFRON TECHNICAL SERVICES
 8 Cherry Tree Rd, Chinnor
 Oxon OX9 4QY
 Tel:- 01844-351694 Fax:- 01844-352554
 Email:- enquiries@maurifron.co.uk

* Dual with R306 † with R761 and S402

CIR No. REF	PART NUMBER	VALUE ohms	DESCRIPTION			RATING W
			TYPE	TOL %		
R601	317-0105-01	1M	C	5		125 m
R602 A	310-0679-00	111 k	CM	1		250 m
B		900 k				
R603	317-0154-01	150 k	C	5		125 m
R604	317-0271-01	270	C	5		125 m
R605	317-0221-01	220	C	5		125 m
R606	317-0751-01	750	C	5		125 m
R607	317-0472-01	4.7 k	C	5		125 m
R608	317-0681-01	680	C	5		125 m
R609	315-0391-01	390	CF	5		250 m
R610	317-0221-01	220	C	5		125 m
R611	317-0561-01	560	C	5		125 m
R612	317-0103-01	10 k	C	5		125 m
R613	317-0911-01	910	C	5		125 m
R614	311-0717-00	220	CP	20		250 m
R615	317-0472-01	4.7 k	C	5		125 m
R616	317-0681-01	680	C	5		125 m
R617	311-0719-00	470	CP	20		250 m
R618	311-0712-00	100	CP	20		250 m
R619	317-0561-01	560	C	5		125 m
R620	317-0331-01	330	C	5		125 m
R621	317-0103-01	10 k	C	5		125 m
R622	311-0717-00	220	CP	20		250 m
R623	317-0911-00	910	C	5		125 m
R624	311-1212-00	500	CV	20		250 m
R625	311-0712-00	100	CP	20		250 m
R626	315-0391-01	390	CF	5		250 m
R627	317-0221-01	220	C	5		125 m
R628	317-0271-01	270	C	5		125 m
R629	317-0751-01	750	C	5		125 m
R630	317-0681-01	680	C	5		125 m
R631	317-0820-01	82	C	5		125 m
R632	317-0391-01	390	C	5		125 m
R633	315-0821-01	820	C	5		250 m
R634	317-0473-01	47 k	C	5		125 m
R635	317-0684-01	680 k	C	5		125 m
R636						
R637	303-0183-01	18 k	C	5		1
R638	303-0183-01	18 k	C	5		1
R639	317-0104-01	100 k	C	5		125 m
R640	317-0392-01	3.9 k	C	5		125 m
R641	317-0561-01	560	C	5		125 m
R642	311-0717-00	220	CP	20		250 m
R643	321-0097-48	100	MF	1		125 m
R644	317-0471-01	470	C	5		125 m
R645	317-0242-01	2.4 k	C	5		125 m
R646	317-0102-01	1 k	C	5		125 m
R647	317-0223-01	22 k	C	5		125 m
R648	317-0102-03	10 k	C	5		125 m
R649	317-0104-01	100 k	C	5		125 m
R650	317-0471-01	470	C	5		125 m
R651	317-0122-01	1.2 k	C	5		125 m
R652	311-1028-00	100 k	CV	20		250 m
R653	317-0152-01	1.5 k	C	5		125 m
R654	317-0223-01	22 k	C	5		125 m
R655	317-0103-01	10 k	C	5		125 m
R656	311-0735-00	10 k	CP	20		250 m

CIR REF	PART NUMBER	VALUE ohms	DESCRIPTION			RATING W	Eff. Ser. No.
			TYPE	TOL %			
R657	317-0221-01	220	C	5		125 m	
R658	317-0471-01	470	C	5		125 m	
R659	321-0097-48	100	MF	1		125 m	
R660	317-0221-01	220	C	5		125 m	
R661	317-0471-01	470	C	5		125 m	
R662	317-0102-01	1 k	C	5		125 m	
R663	317-0223-01	22 k	C	5		125 m	
R664	317-0103-01	10 k	C	5		125 m	
R665	317-0180-01	18	C	5		125 m	
R666	317-0821-01	820	C	5		125 m	
R667	317-0221-01	220	C	5		125 m	
R668	317-0393-01	39 k	C	5		125 m	
R669	311-0717-00	220	CP	20		250 m	
R670	317-0122-01	1.2 k	C	5		125 m	
R671	317-0393-01	39 k	C	5		125 m	
R672	311-1306-01	100 k	CV	20		250 m	
R673	315-0470-01	47	C	5		250 m	
R674							
R675	317-0105-01	1 M	C	5		125 m	
R676							
R677	317-0221-01	220	C	5		125 m	
R678	317-0271-01	270	C	5		125 m	
R679	317-0820-01	82	C	5		125 m	
R680	317-0101-01	100	C	5		125 m	
R681	311-0717-00	220	CP	20		250 m	
R682	317-0472-01	4.7 k	C	5		125 m	
R683	317-0681-01	680	C	5		125 m	
R684	317-0561-01	560	C	5		125 m	
R685	317-0103-01	10 k	C	5		125 m	
R686	317-0911-01	910	C	5		125 m	
R687	317-0751-01	750	C	5		125 m	
R688	317-0472-01	4.7 k	C	5		125 m	
R689	317-0681-01	680	C	5		125 m	
R690	317-0331-01	330	C	5		125 m	
R691	311-0719-00	470	CP	20		250 m	
R692	315-0391-01	390	CF	5		250 m	
R693	311-0712-00	100	CP	20		250 m	
R694	317-0561-01	560	C	5		125 m	
R695	317-0103-01	10 k	C	5		125 m	
R696	317-0123-01	12 k	C	5		125 m	
R697	311-0717-00	220	CP	20		250 m	
R698	317-0911-01	910	C	5		125 m	
R699	311-1212-00	500	CV	20		250 m	
R700	317-0101-01	100	C	5		125 m	
R701	311-0712-00	100	CP	20		250 m	
R702	317-0751-00	750	C	5		125 m	
R703	315-0391-01	390	CF	5		250 m	
R704	317-0221-01	220	C	5		125 m	
R705	317-0271-01	270	C	5		125 m	
R706	317-0154-01	150 k	C	5		125 m	
R707 A	310-0679-00	111 k	CM	1		250 m	
B		900 k					
R708	317-0105-00	1 M	C	5		125 m	
R709	317-0180-01	18	C	5		125 m	

* Log inverse pot

CIR REF	PART NUMBER	VALUE ohms	DESCRIPTION TYPE	TOL %	RATING W
R751	317-0471-01	470	C	5	125 m
R752	321-0100-48	107	MF	1	125 m
R753	321-0100-48	107	MF	1	125 m
R754					
R755					
R756					
R757	317-0680-01	68	C	5	125 m
R758	317-0331-01	330	C	5	125 m
R759	317-0471-01	470	C	5	125 m
*R761	311-1213-00	250	CV	20	1
R762					
R763	321-1296-48	12 k	MF	1	125 m
R764	321-0874-48	39 k	MF	1	125 m
R765	307-0257-00	940	MO	5	1.5
R766	317-0470-01	47	C	5	125 m
R767	317-0470-01	47	C	5	125 m
R768	307-0257-00	940	MO	5	1.5
R769	317-0103-01	10 k	C	5	125 m
R771	317-0683-01	68 k	C	5	125 m
R772	317-0683-01	68 k	C	5	125 m
R773					
R774					
R775	317-0271-01	270	C	5	125 m
R776	317-0152-01	1.5 k	C	5	125 m
R777	317-0471-01	470	C	5	125 m
R778	317-0332-01	3.3 k	C	5	125 m

* with R401 and S402

CIR REF	PART NUMBER	DESCRIPTION
S1		
S2		
S3	260-1296-00	Push (7 - button)
S4		
S61	311-1211-00	Rotary (with R208)
S62	260-1295-00	Push (3 - button)
S66	260-1106-02	Push (1 - button)
S67	311-1209-00	Pull (with R118 and R119)
S201	260-1297-00	Rotary (23 - position)
S402	311-1213-00	Rotary with R401 & R761

CIR REF	PART NUMBER	VALUE ohms	DESCRIPTION TYPE	TOL %	RATING W
R779	303-0103-01	10 k	C	5	1
R781	303-0273-01	27 k	C	5	1
R782	317-0271-01	270	C	5	125 m
R783	317-0152-01	1.5 k	C	5	125 m
R784	317-0471-01	470	C	5	125 m
R785	317-0332-01	3.3 k	C	5	125 m
R786	317-0222-01	2.2 k	C	5	125 m
R787	311-1091-00	6.8 k	CP	20	250 m

R790
R791
For Service Manuals Contact
MAURITRON TECHNICAL SERVICES
8 Cherry Tree Rd, Chinnor
Oxon OX9 4QY
Tel:- 01844-351694 Fax:- 01844-352554
Email:- enquiries@mauritron.co.uk

**R901	321-1289-43	10.1 k	MF	0.25	125 m
**R902	321-0989-43	990	MF	0.25	125 m
**R903	321-1389-43	111 k	MF	0.25	125 m
**R904	321-0988-43	900 k	MF	0.25	125 m
**R905A	310-0680-00	250 k	CM	1	250 m
** B		800 k			
** C		1 M			
** D		500 k			
**R909	316-0470-01	47	C	10	250 m

CIR REF	PART NUMBER	DESCRIPTION
S601	260-1299-00	Push (1 - button)
S602	260-1299-00	Push (1 - button)
S603	260-1204-00	Push (2 - button)
S604	260-1298-00	Push (1 - button)
S605	260-1298-00	Push (1 - button)
S606	260-1298-00	Push (1 - button)
S751	260-1089-00	Push (2 - button)
**S901	260-1136-01 N/A	Slide (3 - position) for Front Panel Slot 15mm by 7mm
	260-1307-00	Slide (3 - position) for Front Panel Slot 14mm by 14.8mm <i>Normal fitting</i>
**S902	260-1051-01	Rotary (12 - position)
T401	120-0731-01	Power transformer

** Two per instrument

CIR REF	PART NUMBER	DESCRIPTION	MATERIAL	TYPE
TR1	151-0317-00	BC 109C	Si	NPN
TR2	151-0242-00	2N3904	Si	NPN
TR3	151-0242-00	2N3904	Si	NPN
TR4	151-0242-00	2N3904	Si	NPN
TR5	151-0242-00	2N3904	Si	NPN
TR62	151-0317-00	BC 109C	Si	NPN
TR64	151-0257-00	2N199OU	Si	NPN
TR65	151-0257-00	2N199OU	Si	NPN
TR66	151-0317-00	BC 109C	Si	NPN
TR67	151-0257-00	2N199OU	Si	NPN
TR68	151-0317-00	BC 109C	Si	NPN
TR69	151-0317-00	BC 109C	Si	NPN
TR71	151-1052-00	FET BFW1052	Si	N-Channel
TR72	151-0317-00	BC 109C	Si	NPN
TR73	151-0317-00	BC 109C	Si	NPN
TR74	151-0317-00	BC 109C	Si	NPN
TR75	151-0317-00	BC 109C	Si	NPN
TR76	151-0317-00	BC 109C	Si	NPN
TR77	151-0257-00	2N199OU	Si	NPN
TR78	151-0317-00	BC 109C	Si	NPN
TR79	151-0317-00	BC 109C	Si	NPN
TR81	151-0257-00	2N199OU	Si	NPN
TR82	151-0257-03	FRB 749		
TR601	151-1036-00	FET, TEK.	Si	N-Channel
TR602	151-0127-02	BSX20	Si	NPN
TR603	151-0127-02	BSX20	Si	NPN
TR604	151-0127-02	BSX20	Si	NPN
TR605	151-0242-00	2N3904	Si	NPN
TR606	151-0242-00	2N3904	Si	NPN
TR607	151-0127-02	BSX20	Si	NPN
TR608	151-0127-02	BSX20	Si	NPN
TR609	151-0127-02	BSX20	Si	NPN
TR611	151-0127-02	BSX20	Si	NPN

use 2N2369

CIR REF	PART NUMBER	DESCRIPTION	MATERIAL	TYPE
TR612	151-0127-03	BSX20	SI	NPN
TR613	151-0127-03	BSX20	SI	NPN
TR614	151-0242-00	2N3904	SI	NPN
TR615	151-0242-00	2N3904	SI	NPN
TR616	151-0257-03	FR8749	SI	NPN
TR617	151-1036-00	FET. TEK.		N-Channel
TR618	151-0127-02	BSX20	SI	NPN
TR619	151-0127-02	BSX20	SI	NPN
TR621	151-0127-02	BSX20	SI	NPN
TR622	151-0242-00	2N3904	SI	NPN
TR623	151-0242-00	2N3904	SI	NPN
TR624	151-0127-02	BSX20	SI	NPN
TR625	151-0127-02	BSX20	SI	NPN
TR626	151-0127-02	BSX20	SI	NPN
TR627	151-0127-02	BSX20	SI	NPN
TR628	151-0127-02	BSX20	SI	NPN
TR629	151-0127-02	BSX20	SI	NPN
TR751	151-0127-02	BSX20	SI	NPN
TR752	151-0310-00	E1530	SI	NPN
TR753	151-0310-00	E1530	SI	NPN
TR754	151-0320-01	MPS6518 Motorola	SI	PNP
TR755	151-0320-01	MPS6518 Motorola	SI	PNP
TR756	151-0320-01	MPS6518 Motorola	SI	PNP
TR757	151-0320-01	MPS6518 Motorola	SI	PNP

For Service Manuals Contact
MAURITRON TECHNICAL SERVICES
8 Cherry Tree Rd, Chinnor
Oxon OX9 4QY
Tel:- 01844-351694 Fax:- 01844-352554
Email:- enquiries@mauritron.co.uk

V61 150-0089-00 Neon Capless 3L

V301

COMPONENTS FOR D65 ONLY

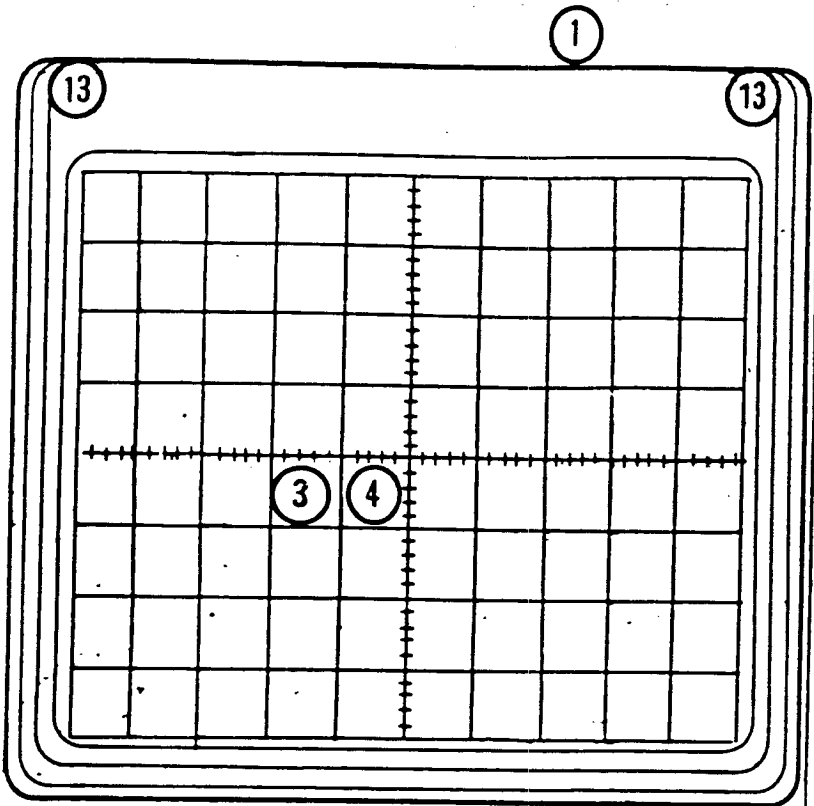
APP.1

CIR REF	NUMBER	VALUE	DESCRIPTION TYPE	TOL %	RATING	Eff. Ser. No.
C301	285-0773-00	0.1 μ f	PE	20	400 V	
C302	285-0773-00	0.1 μ f	PE	20	400 V	
C303	285-0773-00	0.1 μ f	PE	20	400 V	
C305	285-0773-00	0.1 μ f	PE	20	400 V	
C307	285-0869-00	47 p	PS	2 p	350 V	
C402	285-0837-00	20 n	PE		5 kV	
*C403	285-1035-00	2.2 n	PS		2 kV	
C410	285-0837-00	20 n	PE		5 kV	
C600	285-0773-00	0.1 μ f	PE	20	400 V	
D84	152-0468-00		BAX16 SI		150 V	
LP401	150-0095-00	14 V	LAMP LES			
R26	317-0273-01	27 k	C	5	125 mW	
R27	317-0153-01	15 k	C	5	125 mW	
R76	317-0821-01	820	C	5	125 mW	
R80	317-0221-01	220	C	5	125 mW	
R89	315-0682-02	6.8 k	CF	5	250 mW	5747
R125	308-0733-00	4.3 k	WW	5	6 W	
R135	308-0733-00	4.3 k	WW	5	6 W	
R137	323-0797-48	68 k	MF	1	500 mW	
R141	303-0223-01	22 k	C	5	1 W	
R150	315-0563-01	56 k	CF	5	250 mW	5627
R303	316-0275-01	2.7 M	C	10	250 mW	
R305	316-0684-01	680 k	C	10	250 mW	
R636	315-0156-02	1.5 M	C	5	250 mW	
R674	315-0473-02	47 k	C	5	250 mW	
R676	315-0105-02	1 M	C	5	250 mW	
R754	317-0122-01	1.2 k	C	5	125 mW	
R755	307-0264-00	2.2 k	MO	5	1.5 W	
R756	317-0122-01	1.2 k	C	5	125 mW	
R762	307-0253-00	220	MO	5	1.5 W	
R773	317-0223-01	22 k	C	5	125 mW	
R774	317-0223-01	22 k	C	5	125 mW	
R790	307-0327-00	560	MO	5	1.5 W	
R791	307-0327-00	560	MO	5	1.5 W	
TR75	151-0127-03		BSX20 SI NPN			
TR82	151-0317-00		BC109C SI NPN			
V301	154-0657-00		Type D14-180			

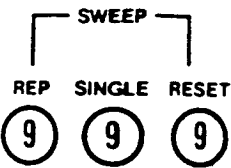
*On earlier instrument

COMPONENTS FOR D66 ONLY

CIR REF	PART NUMBER	VALUE	DESCRIPTION	TOL %	RATING	Eff. Ser. No.
C301	285-0796-00	100 n	PE	20	250 V	
C302	285-0796-00	100 n	PE	20	250 V	
C303	285-0796-00	100 n	PE	20	250 V	
C305	285-0796-00	100 n	PE	20	250 V	
C402	285-0992-00	25 n	PE	10	5 kV	
C403	285-0992-00	25 n	PE	10	5 kV	
C410	285-0992-00	25 n	PE	10	5 kV	
C411	285-0992-00	25 n	PE	10	5 kV	
C600	285-0796-00	100 n	PE	20	250 V	
D65	152-0062-01	75 V	1N914 Si			
D401	152-0515-00	6 kV	Rectifier Si		8 mA	
D402	152-0515-00	6 kV	Rectifier Si		8 mA	
X LP401	150-0182-00	14 V	LAMP LES			
R26	317-0223-01	22 k	C	5	125 mW	
R27	317-0123-01	12 k	C	5	125 mW	
R76	317-0102-01	1 k	C	5	125 mW	
R80	317-0681-01	680	C	5	125 mW	
R89	316-0103-01	10 k	C	10	250 mW	5747
R125	308-0732-00	3.3 k	WW	5	6 W	
R135	308-0732-00	3.3 k	WW	5	6 W	
R137	322-0699-48	51 k	MF	1	250 mW	
R141	303-0203-01	20 k	C	5	1 W	
R303	316-0395-01	3.9 M	C	10	250 mW	
R305	316-0104-01	100 k	C	10	250 mW	
R309	316-0104-01	100 k	C	10	250 mW	
R440	316-0474-01	470 k	C	10	250 mW	
R449	316-0474-01	470 k	C	10	250 mW	
R636	317-0105-01	1 M	C	5	125 mW	
R674	317-0433-01	43 k	C	5	125 mW	
R676	317-0564-01	560 k	C	5	125 mW	
R711	307-0427-00	2.2 Ω	C	5	125 mW	
R754	316-0122-01	1.2 k	C	10	250 mW	
R755	307-0326-00	1.2 k	MO	5	1.5 W	
R756	316-0122-01	1.2 k	C	10	250 mW	
R762	307-0284-00	540 Ω	MO	5	3.5 W	
R773	317-0333-01	33 k	C	5	125 mW	
R774	317-0333-01	33 k	C	5	125 mW	
TR75	151-0242-00		2N3904 Si NPN			
TR82	151-0490-00		FRB750 Si NPN			
V61	150-0069					
V301	154-0653-00		Type D14-200			
11/77						

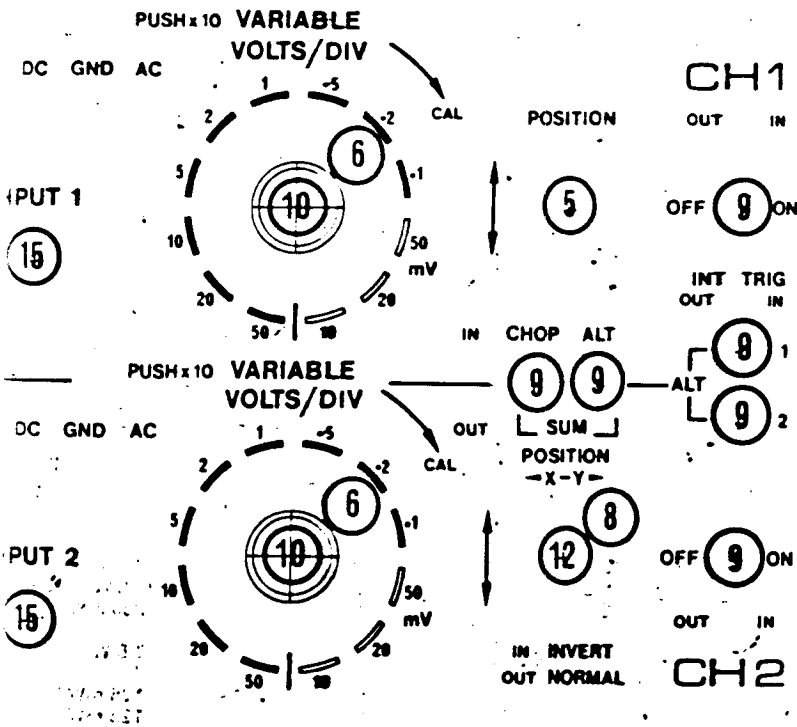


BRILLIANCE FOCUS (2) SCALE ILLUM TRACE ROTATION

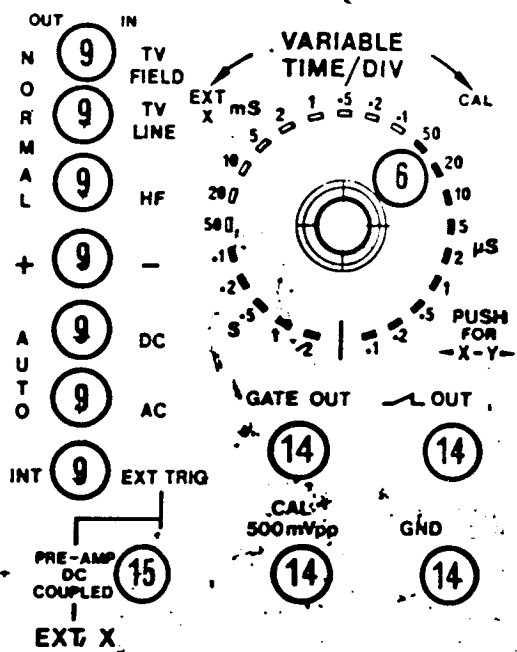


TELEQUIPMENT  oscilloscope D65

TRIG LEVEL STABILITY POSITION FINE COARSE PULL x5



TRIG MODE



For Service Manuals Contact
 MAURITRON TECHNICAL SERVICES
 8 Cherry Tree Rd, Chinnor
 Oxon OX9 4QY
 Tel: 01844-351694 Fax: 01844-352554
 Email: enquiries@mauritron.co.uk

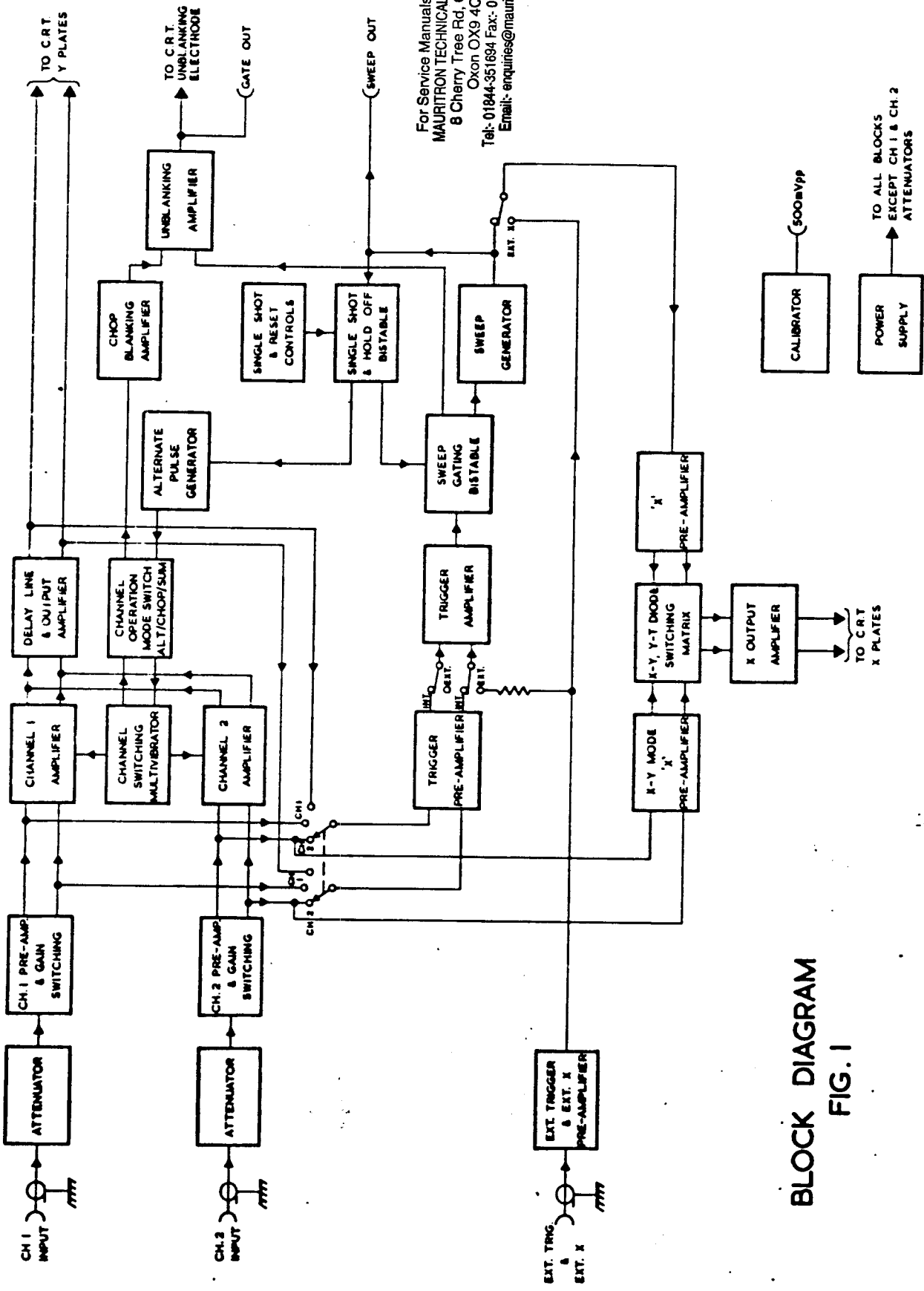
MECHANICAL

Eff. Ser. No.	PART NUMBER	DESCRIPTION	LOCATION*
		*Numbers quoted refer to the front panel (opposite).	
	200-1187-00	Bezel, Lighthood	1
	378-0597-00	Bulb, neon	2
	200-2106-00	Cap EHT	CRT
	344-0202-00	Clip Spire (SCG 1697)	rear panel, 15
	131-1020-00	Connector female, PCB, Quick Release Amp	
	131-0157-00	Connector PDA Button	CRT
	200-1766-00	Cover, Rear	
	390-0448-00	Cover RHS	
	390-0488-01	Cover LHS	
	343-0212-00	Ends, Handle	
	348-0463-01	Feet, raising front	
	348-0168-00	Feet, fixed rear	
	378-0605-02	Filter	3
	352-0499-00	Fuse Holder	
	331-0232-02	Graticule	4
	348-0160-00	Grommet	CRT
	367-0101-02	Handle	
	366-1239-00	Knob, Grey	5
	366-1352-00	Knob, Grey	6
	366-1353-00	Knob, Grey	7
	366-1365-00	Knob, Grey	8
	366-1414-01	Knob, Push Button, Grey/Red	9
	366-1481-90 (323-01)	Knob, Red	10
	366-1481-00	Knob, Red	Time/Div Variable
	366-1355-00 (496 LHC)	Knob, Red	11
	366-1364-00	Knob, Red	12
	(161-0095-01)	Lead c/w Socket (U.K.)	Power
	(161-0085-00) (161-0136-00)	Lead c/w Socket (U.S.A.)	Power
	220-0607-00	Nut (Special)	13
	131-1021-00	Pin PCB, Quick Release Amp.	
	134-0100-00	Plug RA2134 (Aerial Pressings)	Trace ROT
	134-0102-00	Plug 7 pin	Voltage Selector
	213-0248-00	Screw, set 3 mm Lg.	5, 8, 10, 11, 12
	213-0249-00	Screw, set 5 mm 1g.	6, 7
	136-0343-01	Socket	PC115
	136-0381-02	Socket Assy.	rear panel
	131-0645-00	Socket, Slide Pin, plastic Moulding	CRT
	131-0659-00	Socket Side Pin, rubber cover	CRT
	136-0457-01	Socket Assembly Grey	14
	131-0651-00	Socket BNC	15
	136-0295-00	Socket, R557	PC115
	361-0537-01	Spacer	
	361-0283-00	Spacer Mounting	PC115
	361-0266-00	Spacer 68A (.7/8)	PC110, PC111
	361-0243-00	Spacer 68A (3/4)	
	385-0213-00	Spacer, Hex 68A (82 mm)	PC116
	385-0214-00	68A Threaded Hex. Spacer	PC112
	361-0429-00	Spacer 68A	rear panel
	214-1092-00	Tag, Stocko 6326A	
	210-1075-01	Washer, foot packing	

ASSEMBLIES

ASSEMBLY	PART NUMBER	INCLUDES CIR REF.	Eff. Ser. No.
Attenuator	262-0942-00	C901 to C909, C911 to C914, R624, R699, R901 to R905 S902.	
Single-Shot	262-0935-00	R98, R99, R101, R102, R150, S62 a & b, V61. - 150 - 0009	
'Y' Amp Cableform	644-0027-01	*C614, *C623, C755, C756, R633, R652, R672, R673, R771 to R779, R781 to R785, TR754 to TR757, S601, S602, S751. * Mounted on S603.	
Timebase Switch	262-0934-01 or 262-0934-02	D74 to D79, D81, D82, C201 to C208, R126, R127, R129, R202 to R209, R211 to R218, R673, R786, R787, S66, S201.	} 5807
PC110	670-1615-00 or 670-1615-11 (D66) (D65)	C2 to C4, C6 to C8, C11 to C16, C60 to C71, C74, C75, C304, C305, D1, D64, D66 to D69, D71 to D73, D83, D85, D301, L61, R1 to R9, R10 to R19, R21 to R29, R31 to R39, R60, R62, R65, R67 to R72, R74 to R80, R82 to R89, R91 to R97, R103 to R116, R120 to R125, R128, R130 to R141, R143 to R145, R147, R152, R302, R303, R304, R305, R306, R311, R317, R325, S1, TR1 to TR5, TR62, TR64 to TR69, TR71 to TR79, TR82.	
PC117	262-0844-00	S604, S605 and S606.	

For Service Manuals Contact
MAURITRON TECHNICAL SERVICES
 8 Cherry Tree Rd, Chinnor
 Oxon OX9 4QY
 Tel:- 01844-351694 Fax:- 01844-352554
 Email:- enquiries@maurifron.co.uk

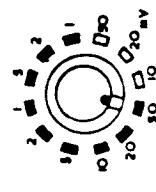
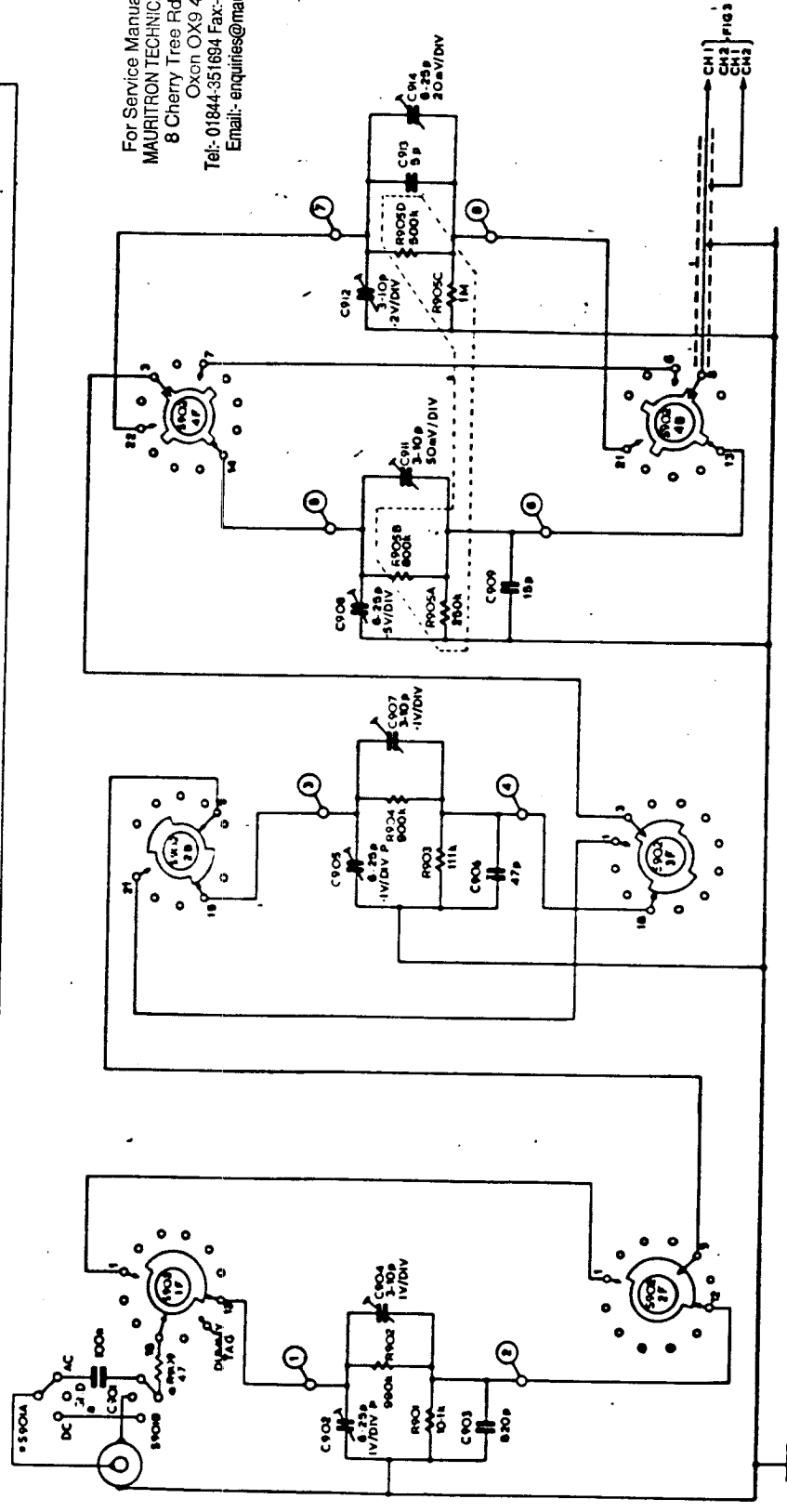


For Service Manuals Contact
MAURITRON TECHNICAL SERVICES
 8 Cherry Tree Rd, Chinnor
 Oxon OX9 4QY
 Tel: 01844-351694 Fax: 01844-352554
 Email: enquiries@mauratron.co.uk

BLOCK DIAGRAM
FIG. 1

PC	SP01	SP02	SP03	SP04	SP05	SP06	SP07	SP08	SP09	SP10	SP11	SP12	SP13	SP14
C	902	905	906	908	909	910	911	912	913	914				
R	903	904	908A	908B	909A	909B	909C	909D	909E	909F	909G	909H	909I	909J

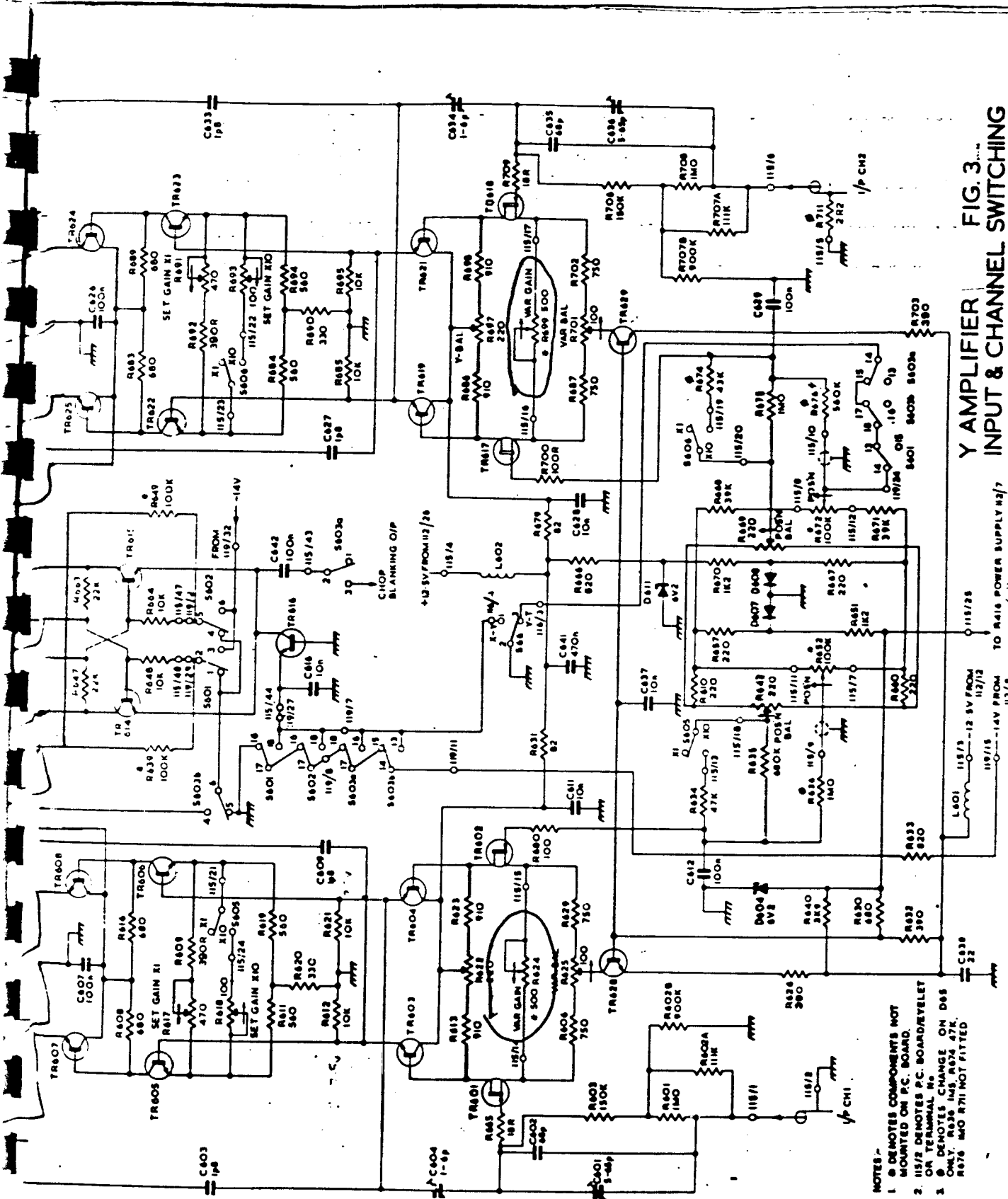
For Service Manuals Contact
MAURITRON TECHNICAL SERVICES
 8 Cherry Tree Rd, Chinnor
 Oxon, OX9 4QY
 Tel: 01844-351694 Fax: 01844-352554
 Email: enquiries@mauratron.co.uk



8903 VOLTS/DIV SWITCH POSITIONS

- NOTES:
- 1 (⊕) DENOTES TAG HOLE ON PC 73
 - 2 SWITCHES SHOWN IN FULLY ANTI-CLOCKWISE POSITION
 - 3 Ⓢ DENOTES COMPONENTS NOT MOUNTED ON PC 73
 - 4 %/I DENOTES PC 76/EYELET N₄ 1

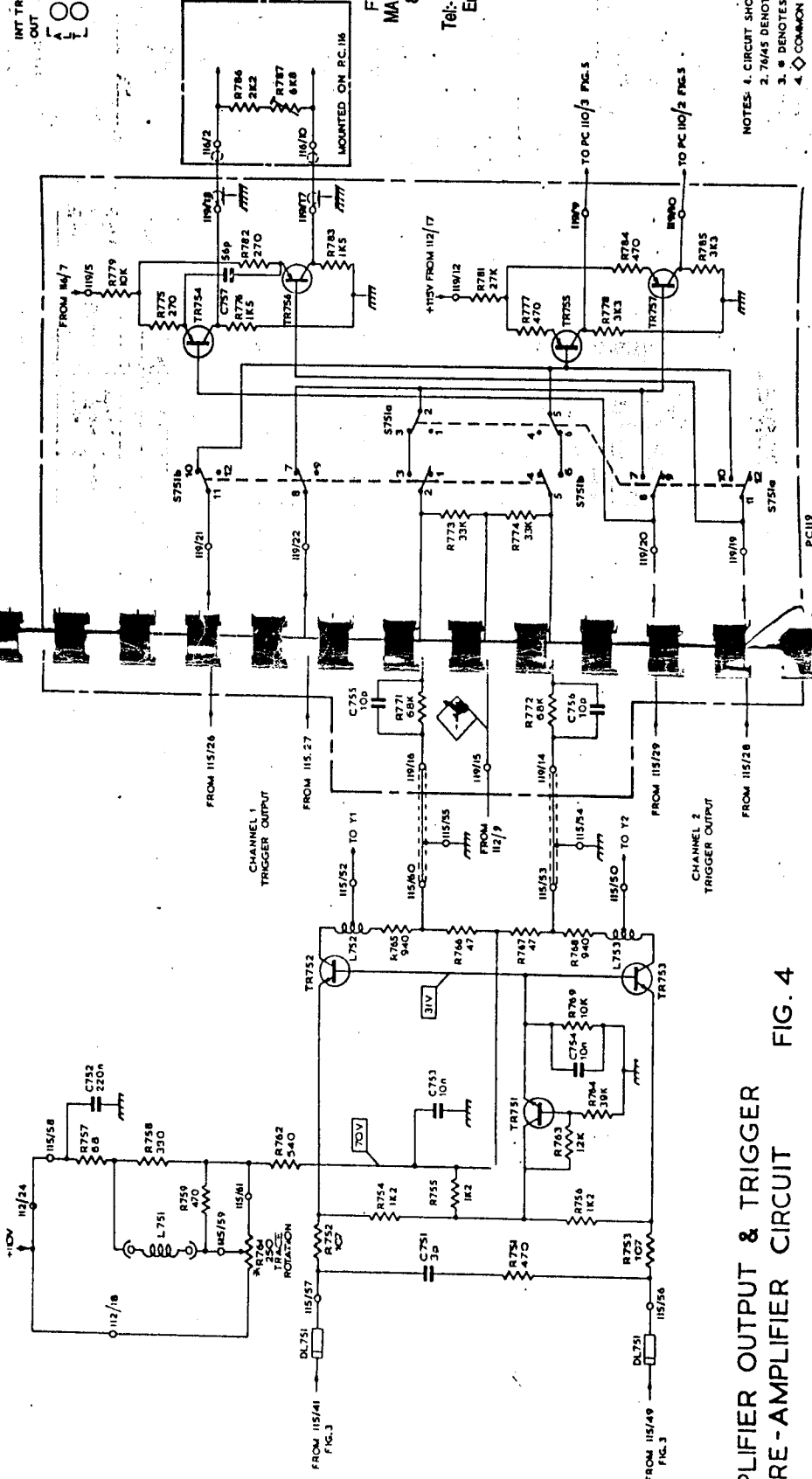
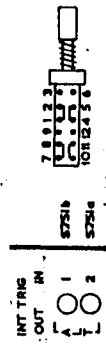
ATTENUATOR CIRCUIT FIG. 2



Y AMPLIFIER INPUT & CHANNEL SWITCHING

- NOTES -
1. DENOTES COMPONENTS NOT MOUNTED ON P.C. BOARD.
 2. IIS/2 DENOTES P.C. BOARD/TELETYPE OR TERMINAL W.
 3. DENOTES CHANGE ON D65 ONLY. R439 IHS, R432 47K, R476 MO R71 NOT FITTED.

RESISTORS	761	759	757	753	769	785	771	774	773	775	779	782	786	787	784	785	786	787
CAPACITORS	751	752	754	758	764	766	767	768	776	778	781	783	784	785	786	787	788	789
MISCELLANEOUS	DL751	L751	TR751	TR751	TR751	TR751	TR751	TR751	TR751	TR751	TR751	TR751	TR751	TR751	TR751	TR751	TR751	TR751

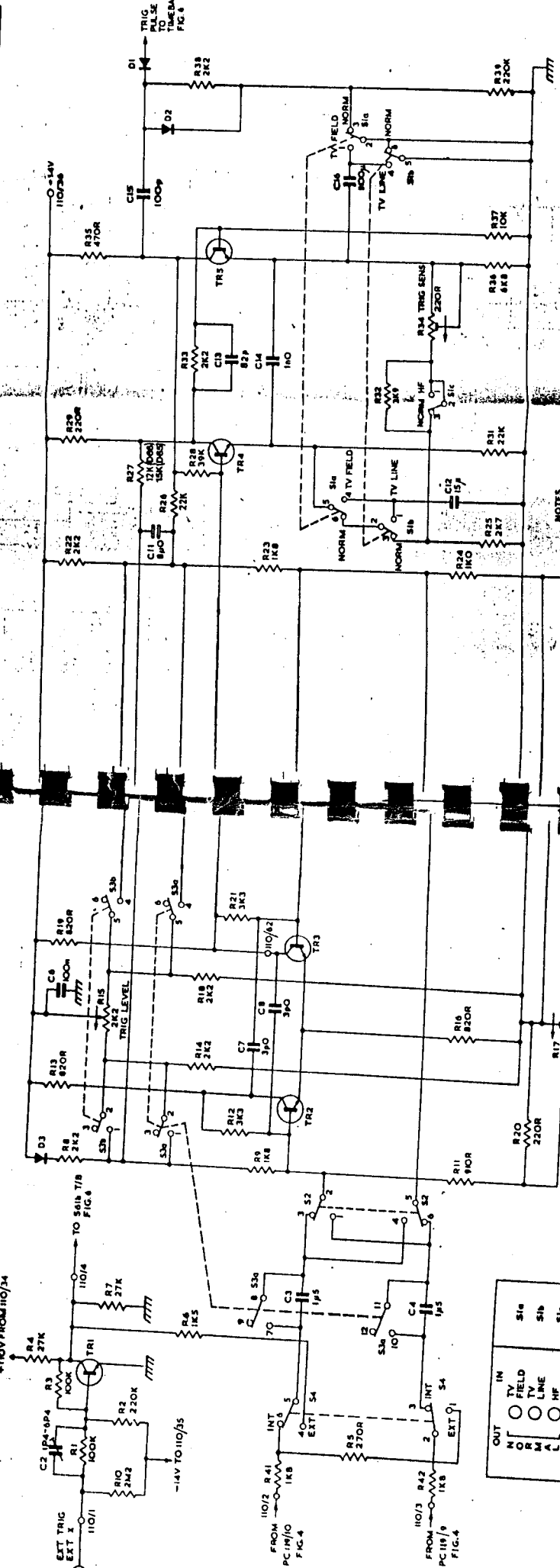


Y-AMPLIFIER OUTPUT & TRIGGER PRE-AMPLIFIER CIRCUIT FIG. 4

For Service Manuals Contact
MAURITRON TECHNICAL SERVICES
 8 Cherry Tree Rd, Chinnor
 Oxon OX9 4QY
 Tel: 01844-351604 Fax: 01844-352554
 Email: enquiries@mauratron.co.uk

- NOTES: 1. CIRCUIT SHOWN WITH CHANNEL 1 TRIG SELECTED.
 2. 76/85 DENOTES PCB BOARD/LEYEL OR TERMINAL NO.
 3. # DENOTES COMPONENTS NOT MOUNTED ON PCB BOARD.
 4. ◇ COMMON -12V.

RESISTORS	41	1	2	3	4	6	7	22	23	24	25	26	27	29	30	34	35	37	38	39	
CAPACITORS	2																				
MISC																					



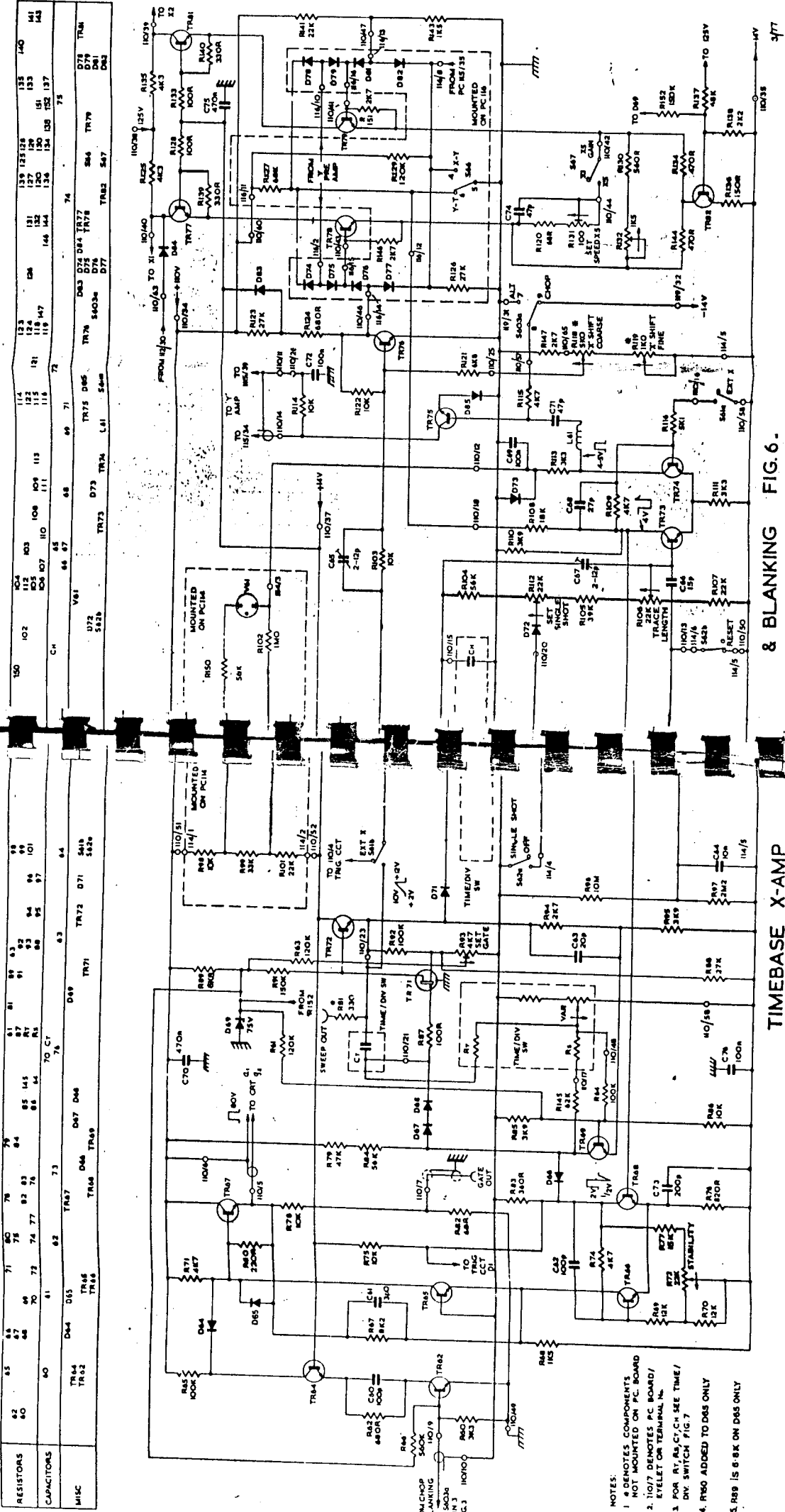
NOTES
 1. R DENOTES COMPONENTS NOT MOUNTED ON P.C. BOARD
 2. 110V DENOTES P.C. BOARD/ETHELET OR TERMINAL BLOCK

CIRCUIT FIG. 5

TRIGGER

MAURITRON TECHNICAL SERVICES
 8 Cherry Tree Rd, Chinnor
 Oxon OX9 4QY
 Tel: 01844-351694 Fax: 01844-352554
 Email: enquiries@mauritron.co.uk
 1177

OUT	IN	S1a	S1b	S1c	S2	S3a	S3b	S4
NORM	TV FIELD							
M	TV LINE							
M	HF							
M	-							
+	DC							
4	AC							
0	EXT							
1	INT							
0	EXT							
FRONT PANEL MARKING		SWITCH REF						

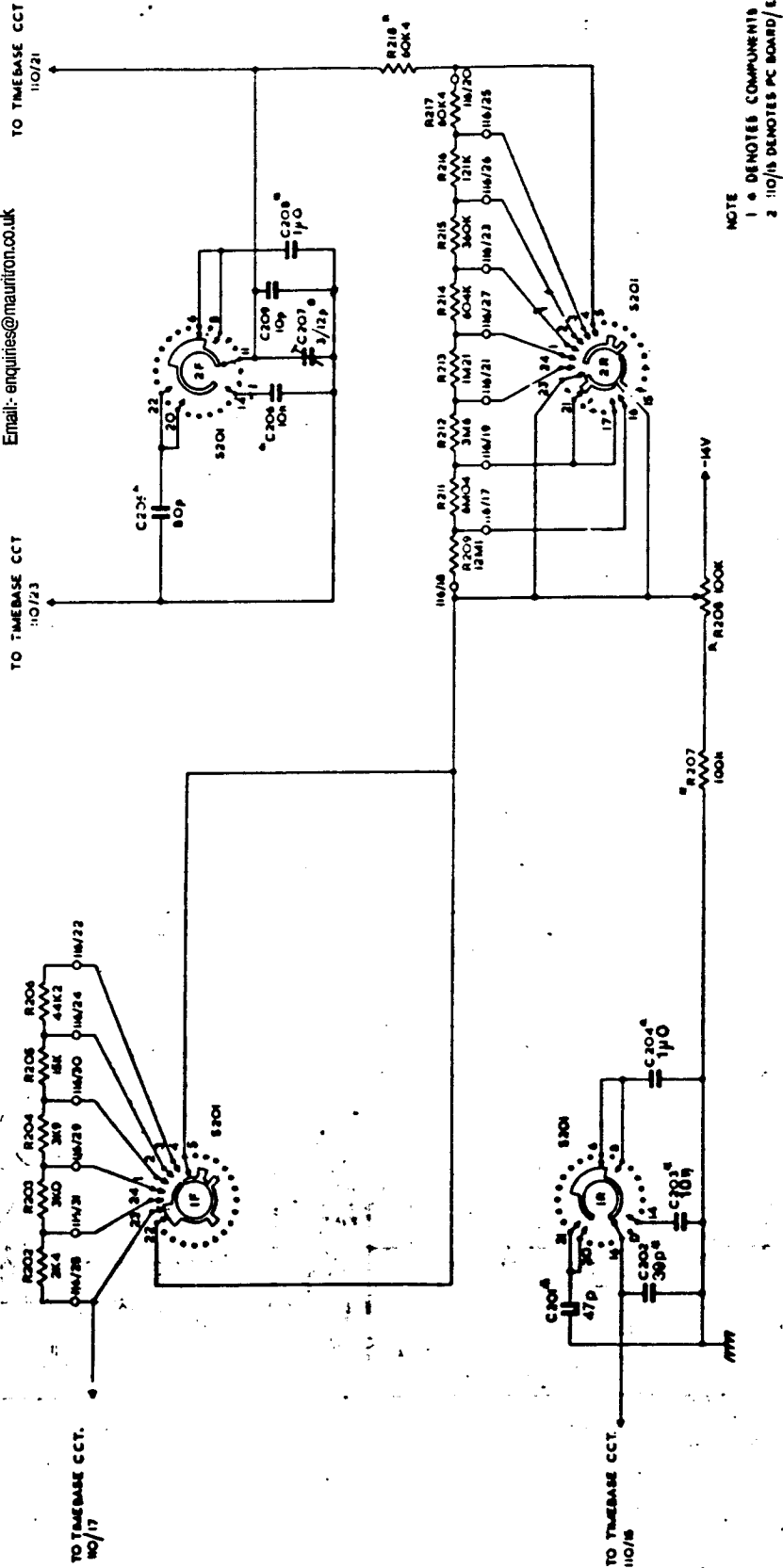


TIMEBASE X-AMP & BLANKING FIG. 6.

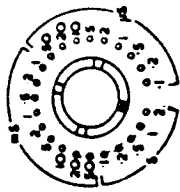
- NOTES:
1. DENOTES COMPONENTS NOT MOUNTED ON PC BOARD
 2. I/O17 DENOTES PC BOARD EYELET ON TERMINAL N.
 3. FOR R1, R2, C7, C8 SEE TIME/DIV SWITCH FIG. 7
 4. R90 ADDED TO D85 ONLY
 5. R89 IS 6.8K ON D85 ONLY

RESISTORS	201	202	203	204	205	206	207	208	209	210	211	212	213	214	215	216	217	218
CAPACITORS	203	204	205	206	207	208	209	210	211	212	213	214	215	216	217	218	219	220

For Service Manuals Contact
MAURITRON TECHNICAL SERVICES
 8 Cherry Tree Rd, Chinnor
 Oxon OX9 4QY
 Tel: 01844-351694 Fax: 01844-352554
 Email: enquiries@mauritron.co.uk

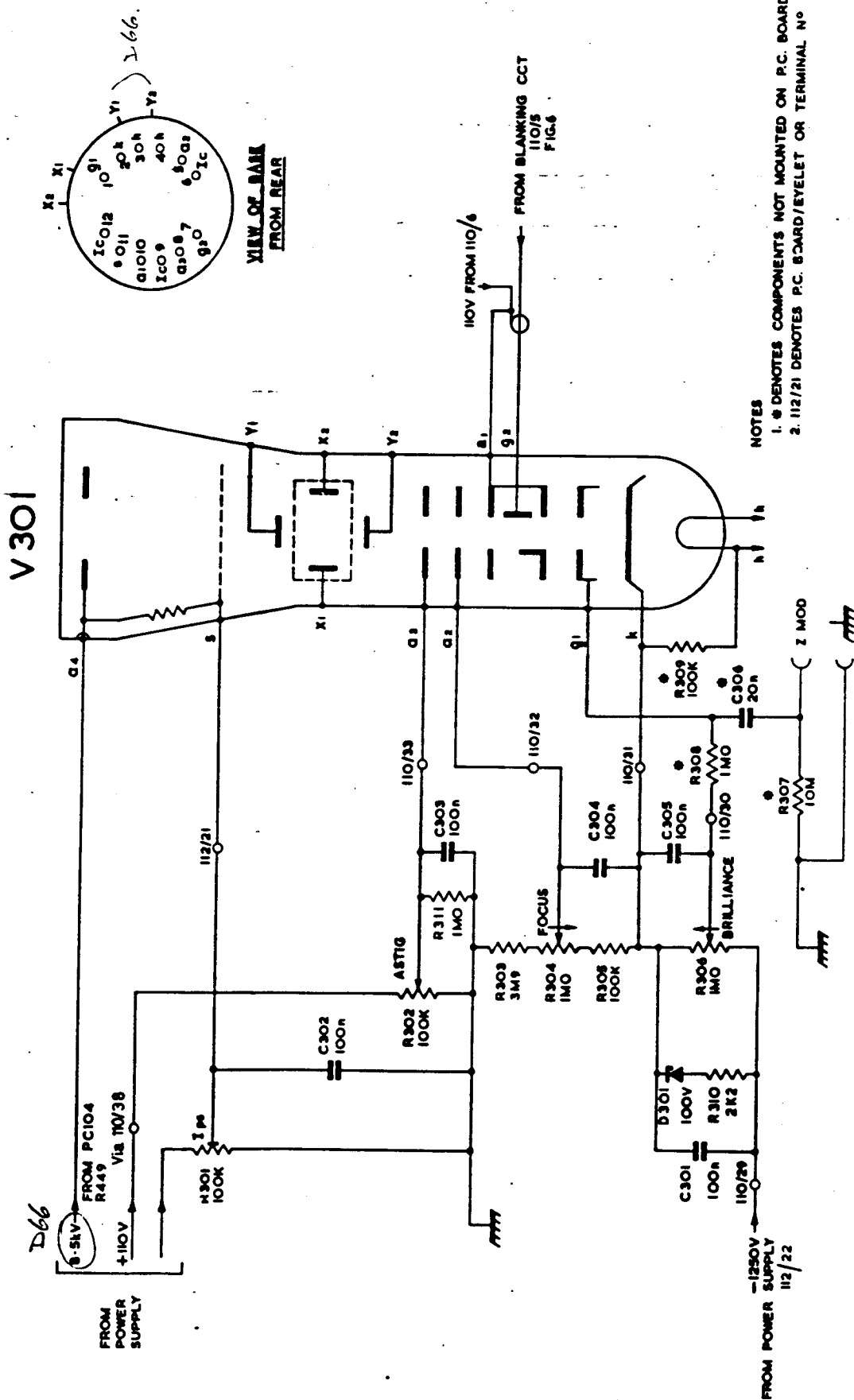


TIME / DIV. SWITCH POSITIONS
 SWITCH SHOWN IN FULLY
 ANTI-CLOCKWISE POSITION

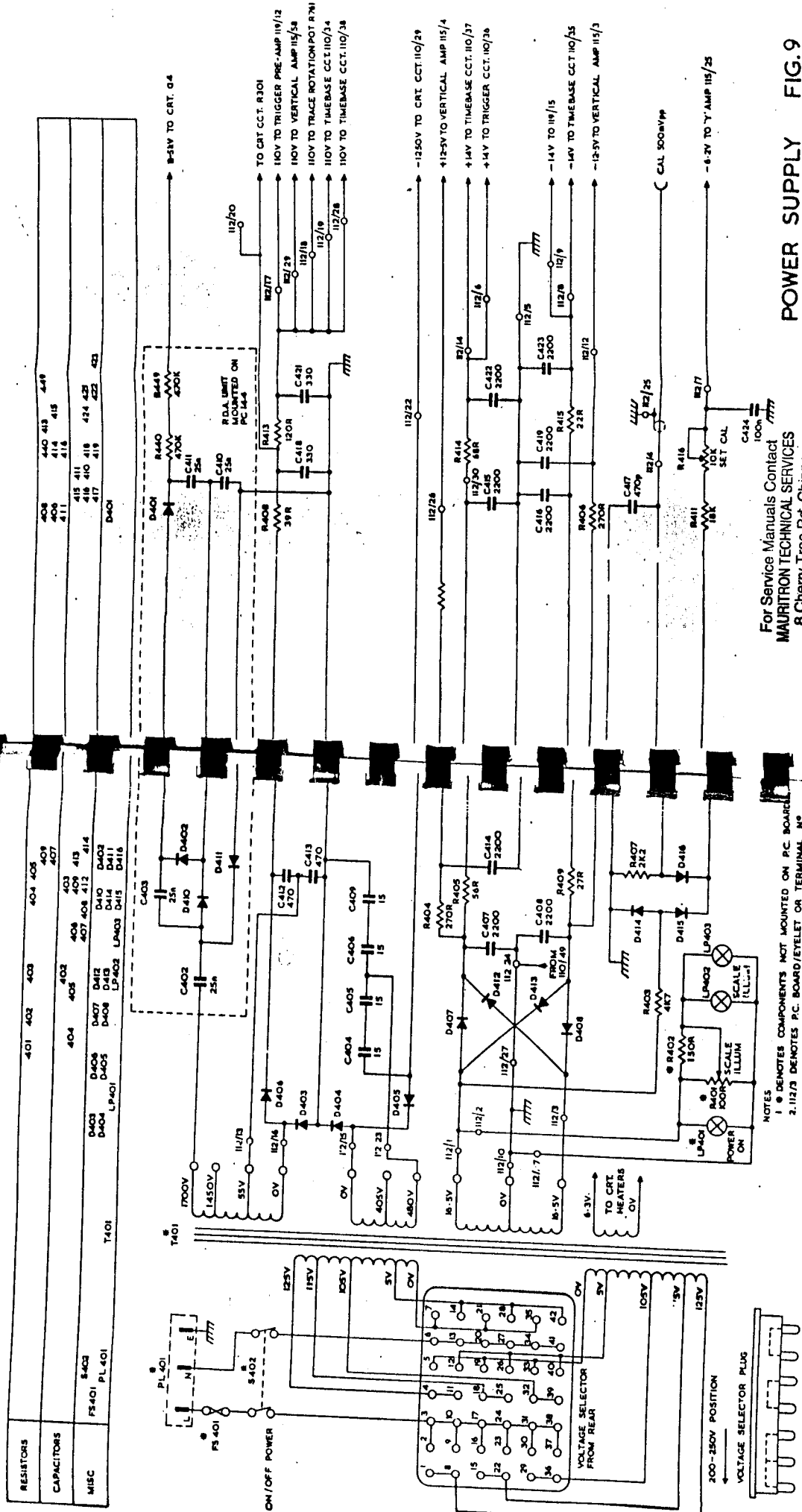


TIME / DIV. SWITCH
 FIG. 7

RESISTORS	301	310	302	303	311	307	308	309
CAPACITORS	301	302	303	304	306			
MISC	D301							
V301								



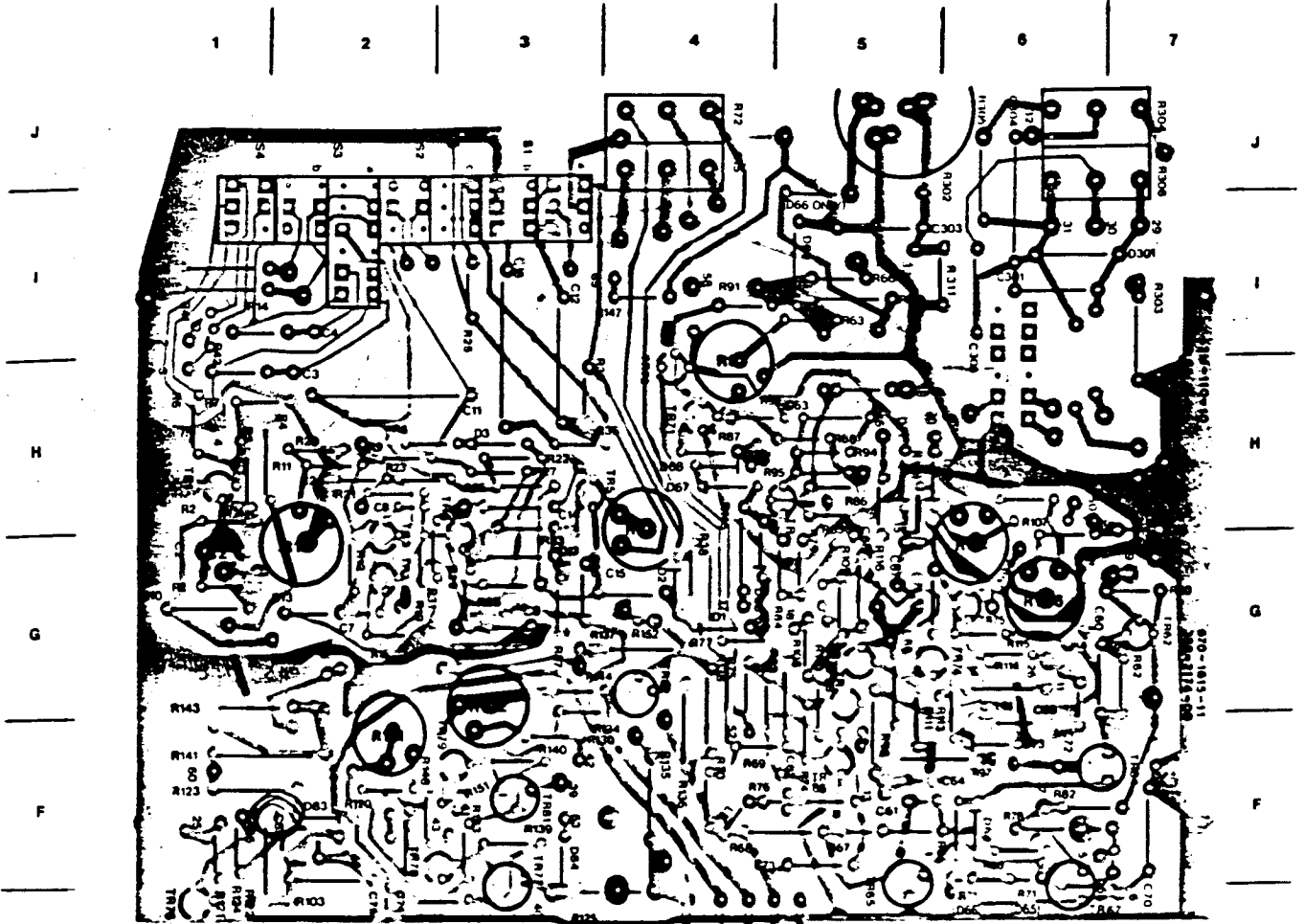
CRT CIRCUIT FIG 8



NOTES
 1. ⦿ DENOTES COMPONENTS NOT MOUNTED ON PC BOARD.
 2. 112/3 DENOTES PC BOARD/EYELET OR TERMINAL N°

POWER SUPPLY FIG. 9

For Service Manuals Contact
MAURITRON TECHNICAL SERVICES
 8 Cherry Tree Rd. Chinnor
 Oxon OX9 4QY
 Tel: 01844-351694 Fax: 01844-352554
 E-mail: enquiries@mauritron.co.uk



PC110

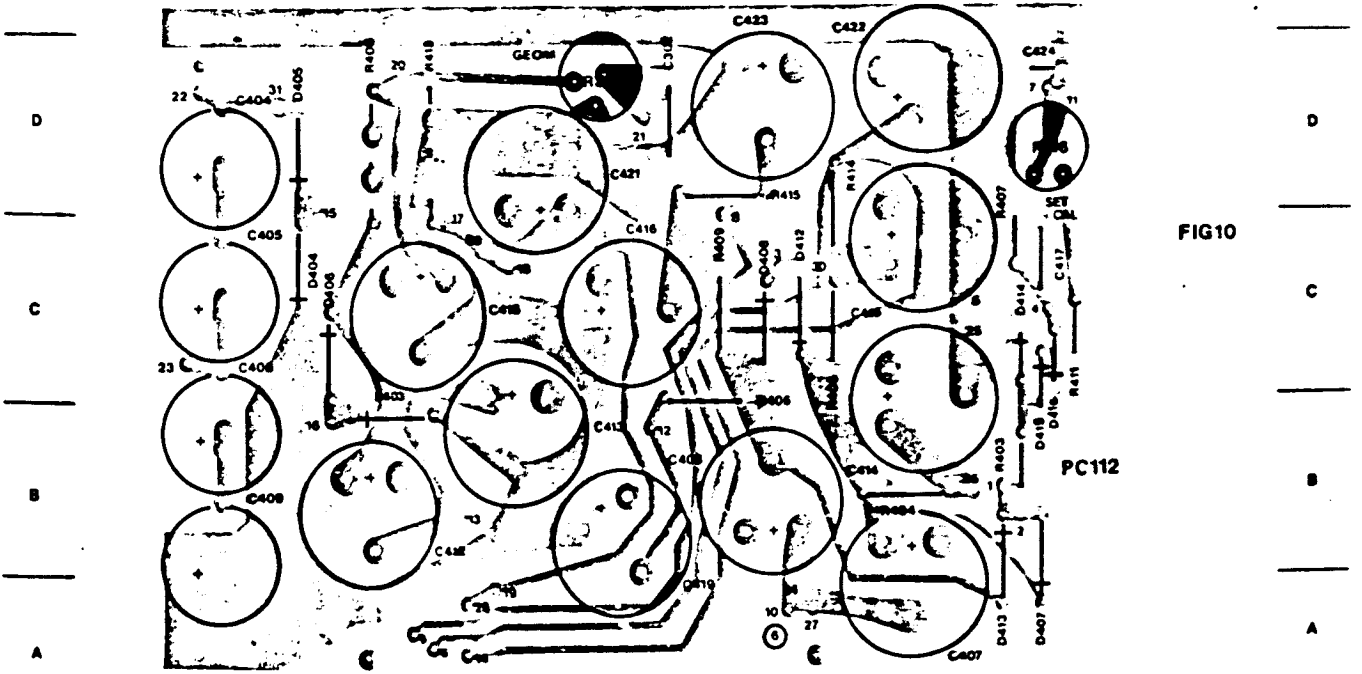
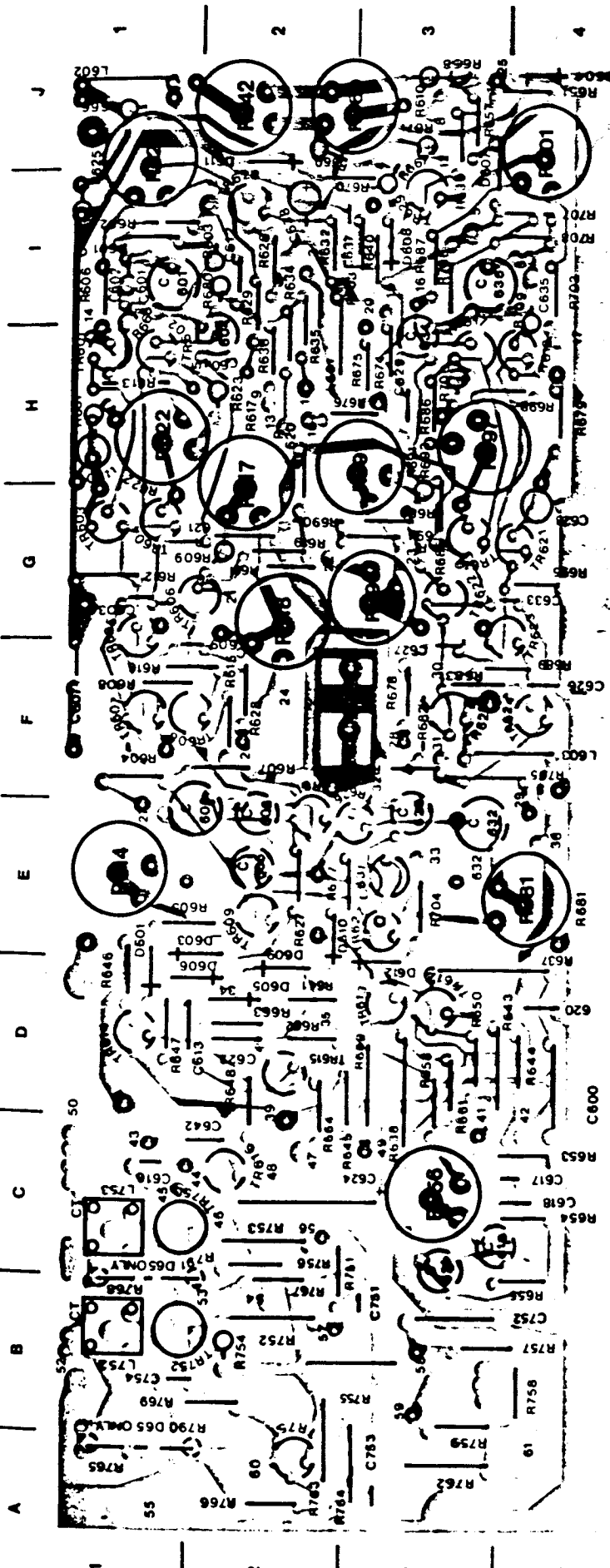
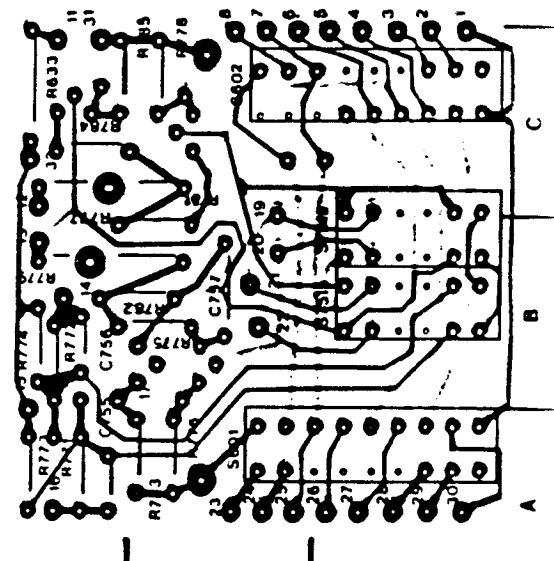


FIG10

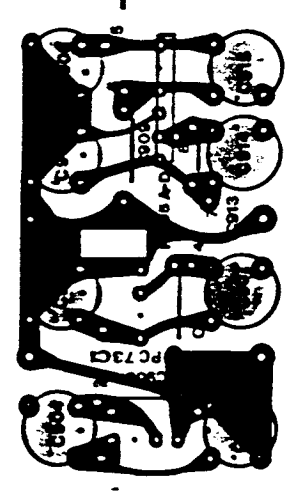
PC112



PC115



PC119



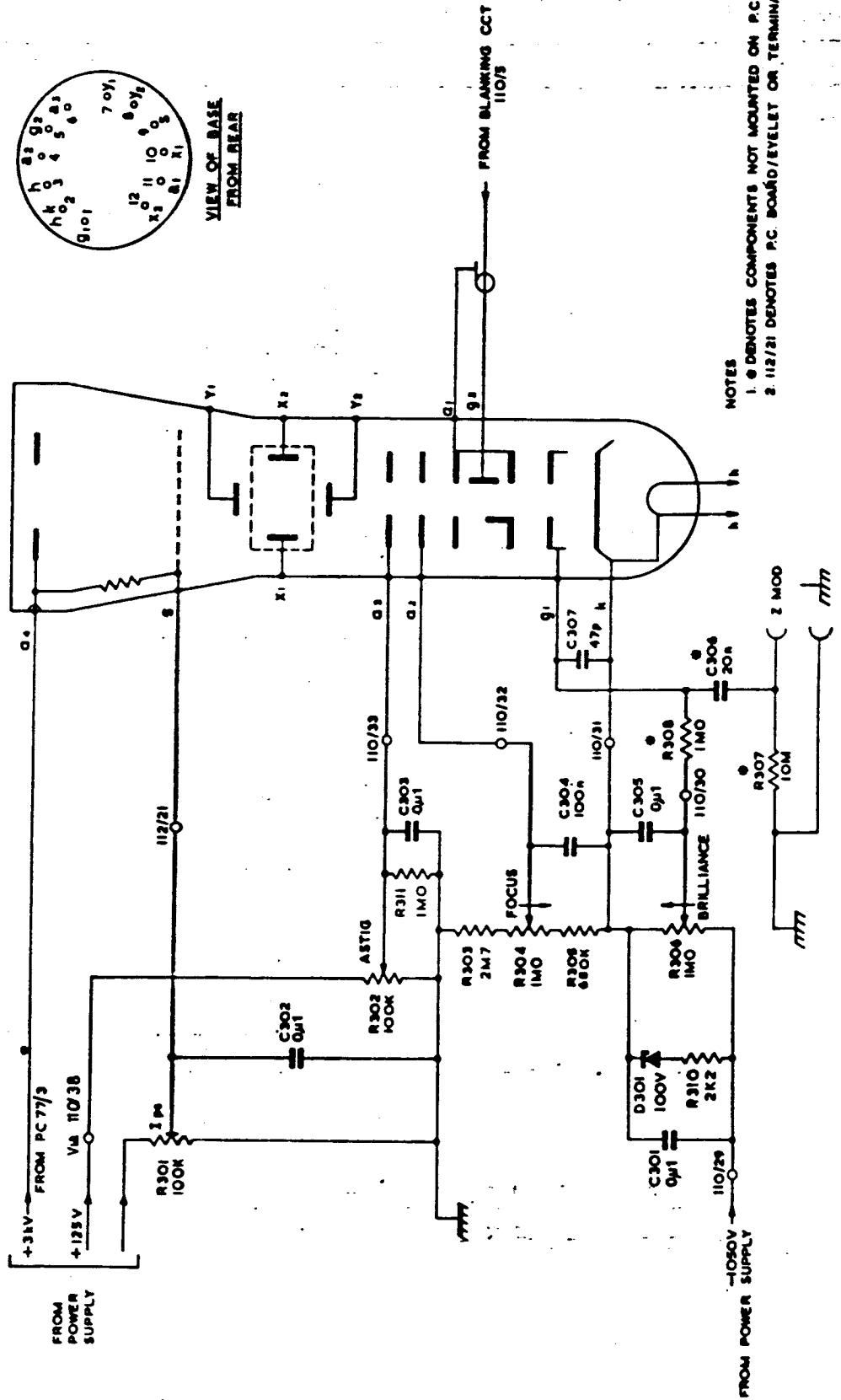
PC73

FIG11

RESISTORS	301	310	301	103 211	307	308
				205 306		
CAPACITORS	301	302	303	304	306	307
			305			
MISC		D301				

V301

V301

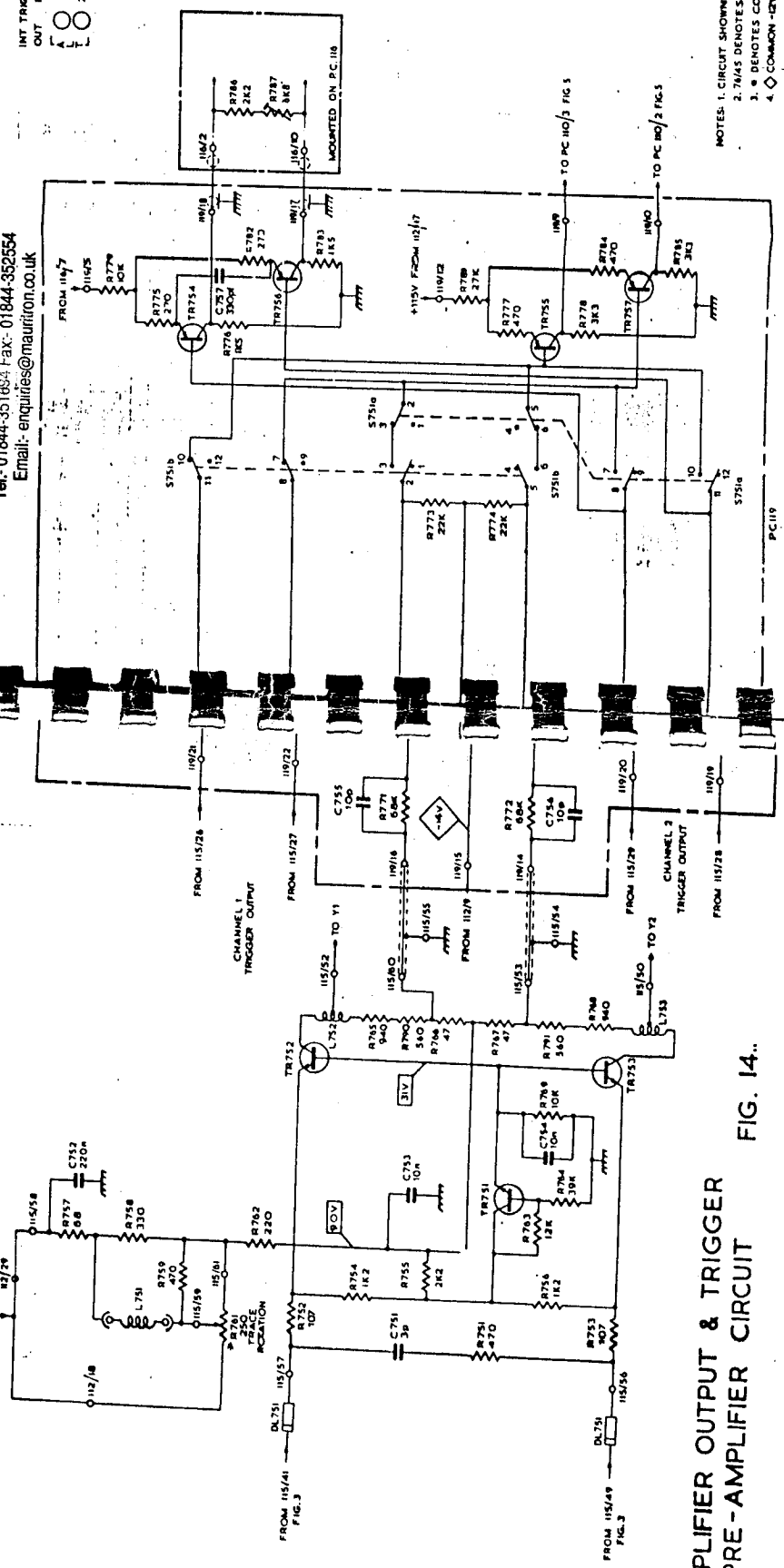
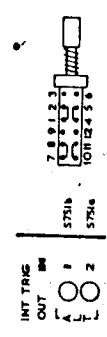


NOTES
 1. h DENOTES COMPONENTS NOT MOUNTED ON P.C. BOARD
 2. 112/21 DENOTES P.C. BOARD/EYELET OR TERMINAL No

CRT CIRCUIT FIG 13

RESISTORS	761	759	757	783	760	765	760	771	772	773	774	775	776	782	786
CAPACITORS	751	754	758	784	766	767	768	777	784	777	784	777	784	785	787
MISCELLANEOUS	DL751	L751	L752	L753	TR751	TR752	TR753	TR754	TR755	TR756	TR757	TR758	TR759	TR760	TR761

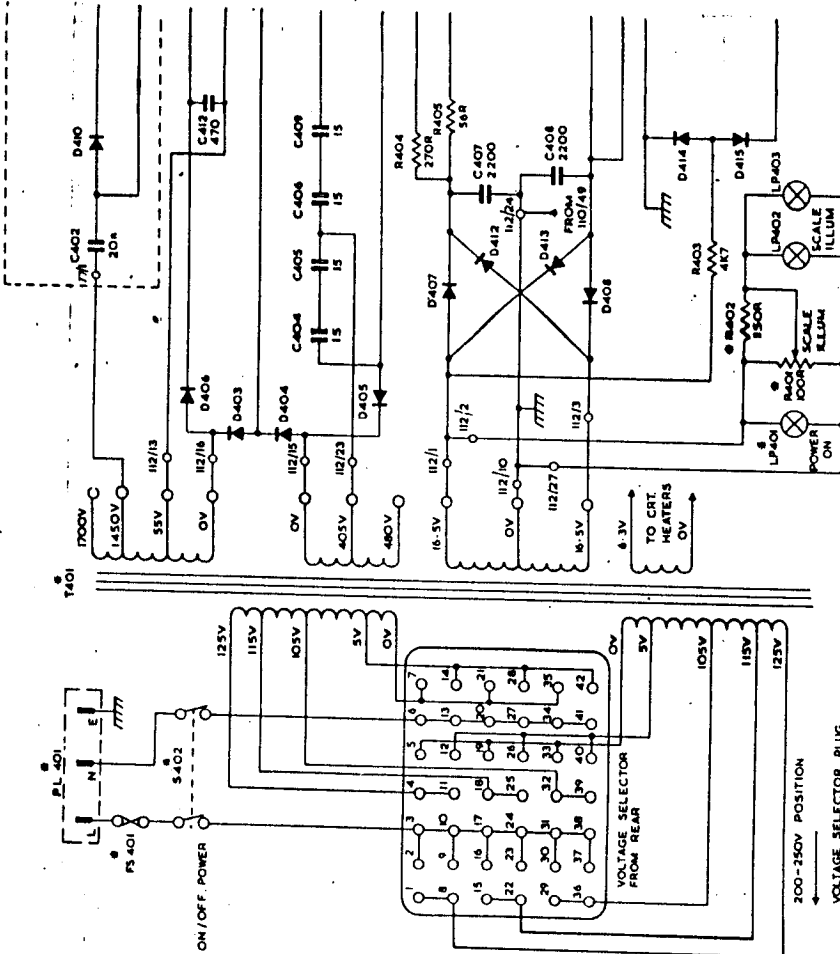
For Service Manuals Contact
MAURITRON TECHNICAL SERVICES
 8 Cherry Tree Rd, Chinnor
 Oxon OX9 4QY
 Tel: 01844-351864 Fax: 01844-352554
 Email: enquiries@maurtron.co.uk



Y-AMPLIFIER OUTPUT & TRIGGER
 PRE-AMPLIFIER CIRCUIT FIG. 14.

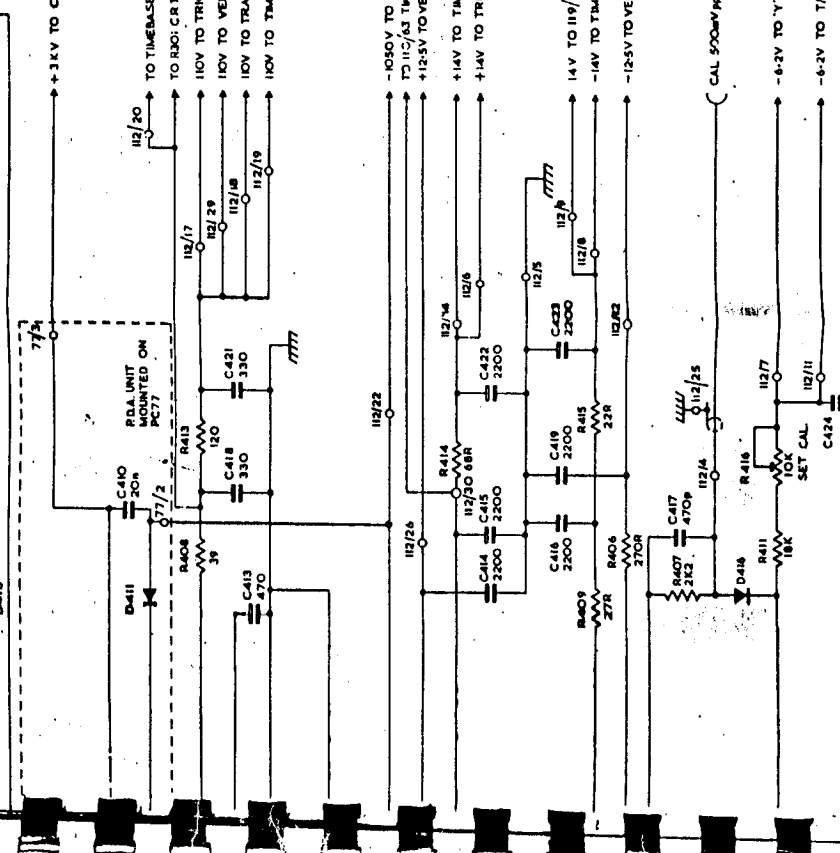
- NOTES: 1. CIRCUIT SHOWN WITH CHANNEL 1 TRIG SELECTED.
- 2. 76AS DENOTES PC BOARD/LEVEL OR TERMINAL No.
- 3. * DENOTES COMPONENTS NOT MOUNTED ON PCB/BOARD.
- 4. ◊ COMMON-KEY.

RESISTORS	401	402	403	404	405	406	409	404	405
CAPACITORS	D403	D404	D405	D406	D407	D408	D412	D413	D415
MISC	PS401	PL401	PS402	PL402	PL403	PL404	PL405	PL406	PL407



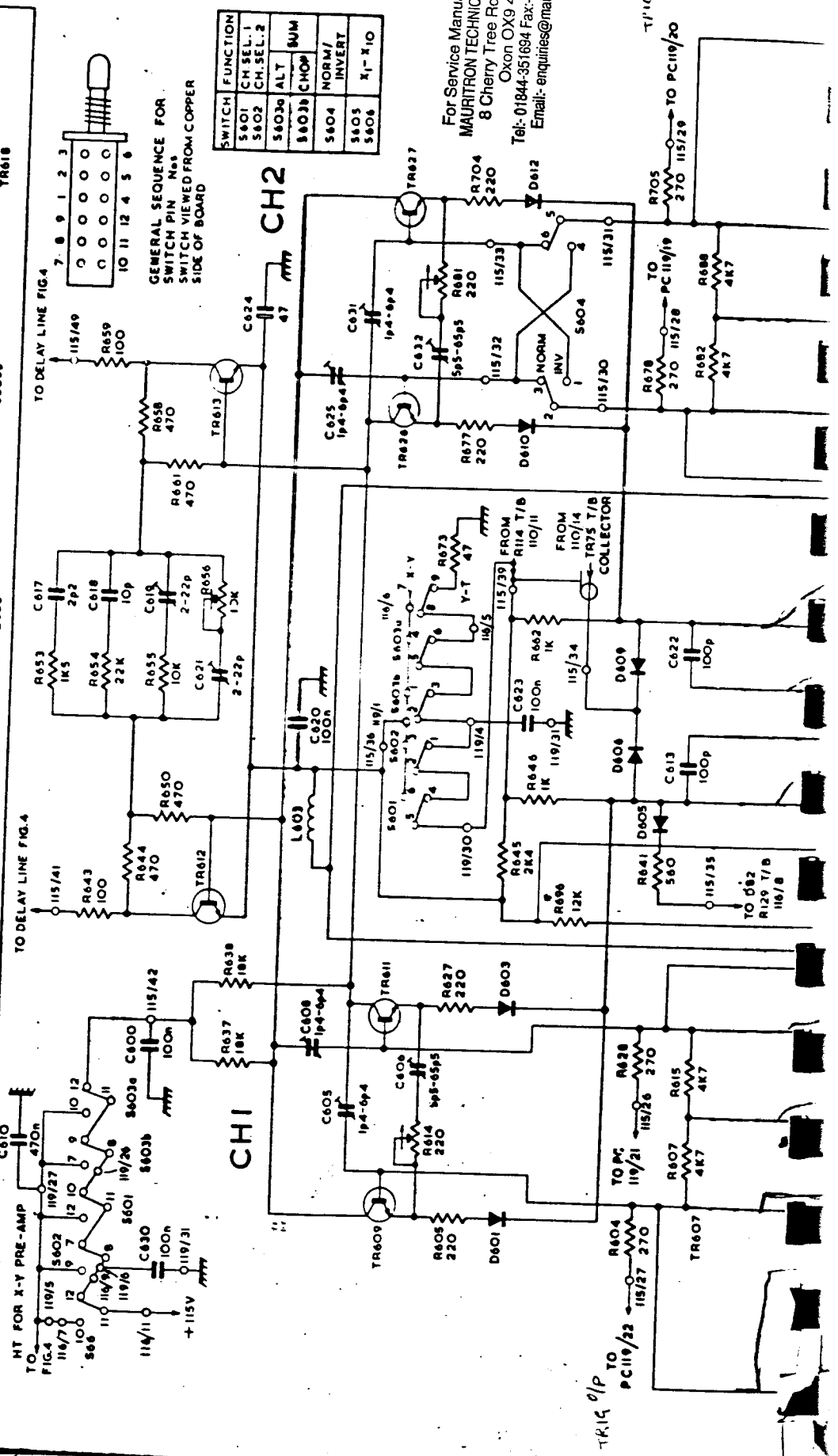
NOTES
1. 8 DENOTES COMPONENTS NOT MOUNTED ON PC B
2. 112/3 DENOTES PC BOARD/EYELET OR TERMINAL

RESISTORS	408	413	415	416	417	418	421	422	423
CAPACITORS	D411	D412	D413	D414	D415	D416	D417	D418	D419
MISC	PS421	PL421	PL422	PL423	PL424	PL425	PL426	PL427	PL428



POWER SUPPLY FIG. 15

603	608	607	614	615	637	638	643	644	650	646	648	653	663	662	673	661	658	686	659	692	681	689	704	706
601	613	617	620	616	628	627	633	645	631	647	652	655	666	670	679	688	677	687	678	690	688	698	705	708
665	606	618	622	609	615	621	629	641	635	642	652	656	667	672	680	676	675	682	682	691	691	702	707A	
	612	625	632	630	634	641	639	654	660	660	657	672	687	672	671									
	602B	626																						
RESISTORS	603	602	630	605	606	608	609	611	639	649	700	649	621	622	617	628	627	625	632	624	626	709	711	
	604	601	607	600	636	610	612	618	619	613	637	620	623	619	616	620	627	625	632	624	626	635	633	
CAPACITORS	601	602	603	604	605	606	607	608	609	610	611	612	613	614	615	616	617	618	619	620	621	622	623	
	602	603	604	605	606	607	608	609	610	611	612	613	614	615	616	617	618	619	620	621	622	623	624	
MISC	601	602	603	604	605	606	607	608	609	610	611	612	613	614	615	616	617	618	619	620	621	622	623	
	602	603	604	605	606	607	608	609	610	611	612	613	614	615	616	617	618	619	620	621	622	623	624	



SWITCH	FUNCTION
S601	CH SEL. 1
S602	CH SEL. 2
S603a	ALT
S603b	SUM
S604	NORM/INVERT
S605	X1-X10
S606	

For Service Manuals Contact
 MAURITRON TECHNICAL SERVICE
 8 Cherry Tree Rd, Chintal
 Oxon OX9 4QY
 Tel: 01844-351694 Fax: 01844-
 Email: enquiries@mauritron.co.uk

TR14 o/p
 TO PC119/20
 TO PC119/19
 TO PC119/28
 TO PC119/27

SECTION 6

CIRCUIT DIAGRAMS

To minimize the risk of misinterpretation of component values on circuit diagrams, the decimal point has been replaced by the multiplier or sub-multiplier of the basic unit. For instance, 2.2 megohms is shown as 2M2 and 1.8 picofarads is shown as 1p8.

To aid the reader further, in addition to the block Circuit Reference Table in Section 5.1, to locate a component in the circuit diagrams, a table is provided at the top of each circuit diagram, in which the circuit reference will appear, where practicable, directly above the component being sought.

PRINTED CIRCUIT

Blue shows the rear track as seen through the board. Red, the component side track, and those components referred to in Chapter 4.

D65

The following circuits for D65 differ from the D66 and the diagrams will be found at the end of the Chapter.

<i>Circuit</i>	<i>Figure</i>
CRT	13
Power Supply	15
Vertical Amp: Output	14

also separate circuits are now shown for figure 5 and figure 6.

For Service Manuals Contact:
MAURITRON TECHNICAL SERVICES
8 Cherry Tree Rd, Chinnor
Oxon OX9 4QY
Tel:- 01844-351694 Fax:- 01844-352554
Email:- enquiries@mauritron.co.uk