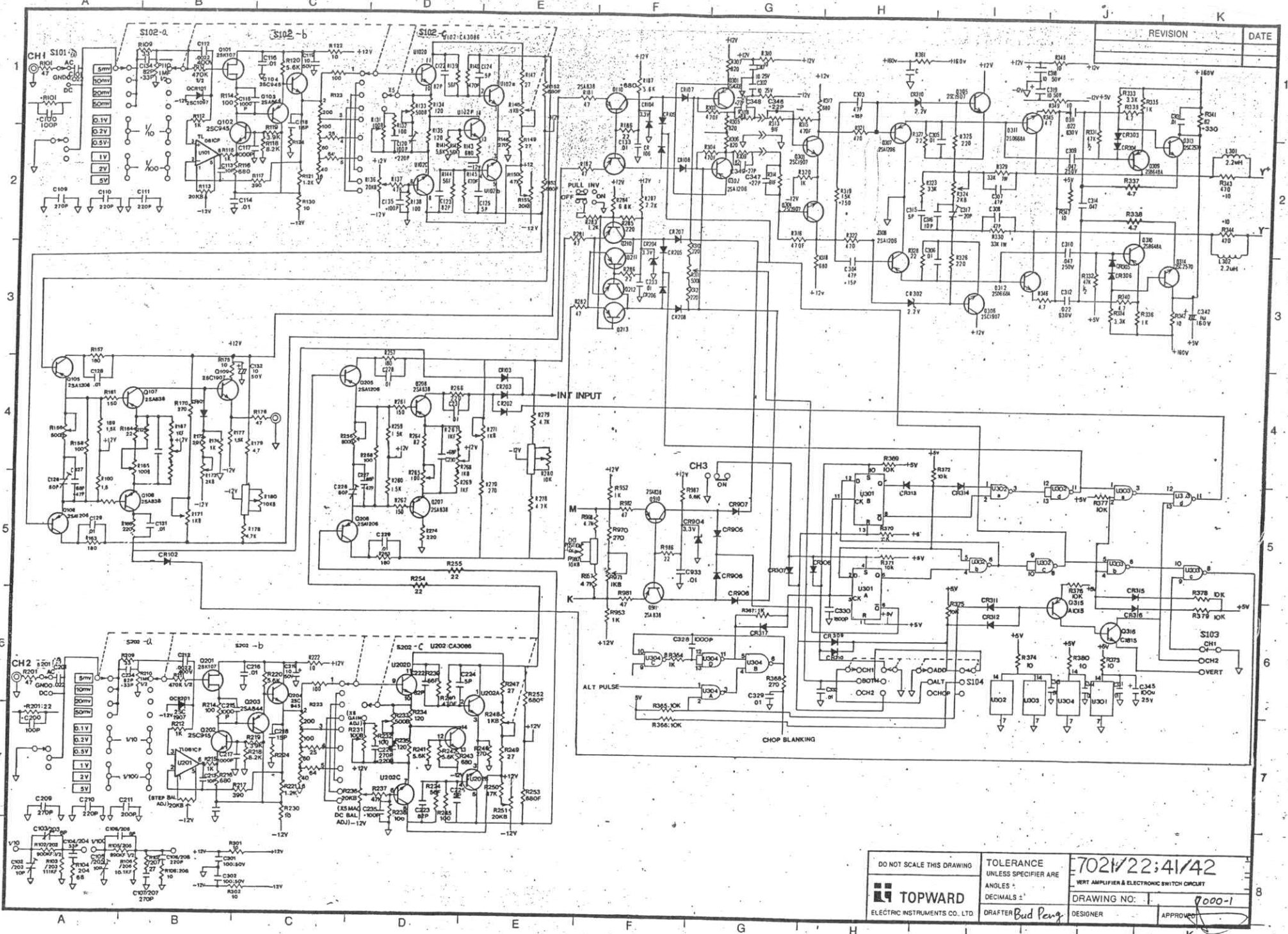
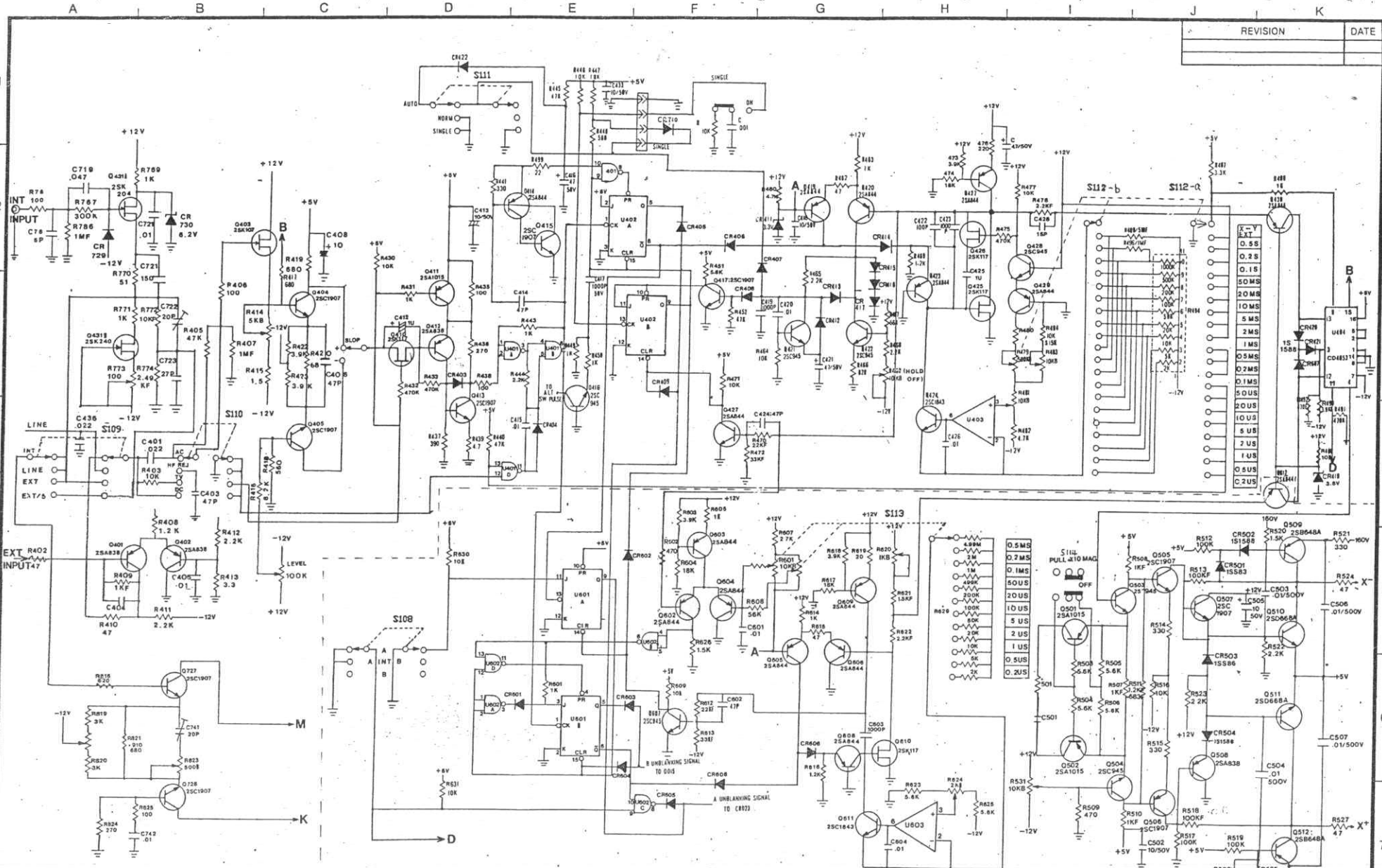


DO NOT SCALE THIS DRAWING	TOLERANCE UNLESS SPECIFIER ARE	7000S CIRCUIT DIAGRAM (POWER SUPPLY & CRT CIRCUIT)
TOPWARD ELECTRIC INSTRUMENTS CO. LTD.	ANGLES = DECIMALS =	
DRAFTER <u>B. L. Huang</u>		DRAWING NO: <u>7000-3</u>
DESIGNER		APPROVED



REVISION	DATE

DO NOT SCALE THIS DRAWING	TOLERANCE UNLESS SPECIFIER ARE ANOLES + DECIMALS ±	702W22:41/42 VERT AMPLIFIER & ELECTRONIC SWITCH CIRCUIT
<b>TOPWARD</b> ELECTRIC INSTRUMENTS CO. LTD	DRAFTER <i>Bud Peng</i>	DRAWING NO. 9000-1
	DESIGNER	APPROVED



70221 7042 ONLY