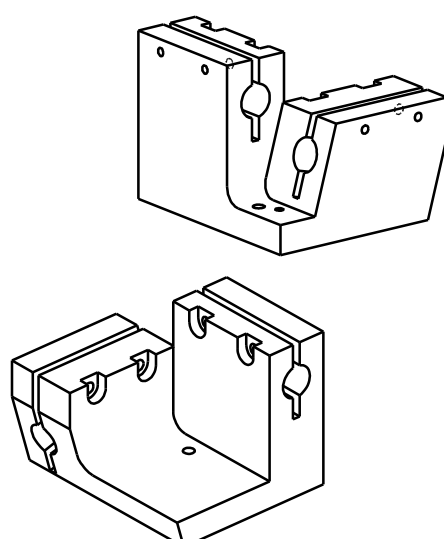
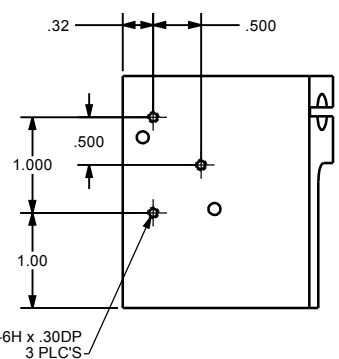
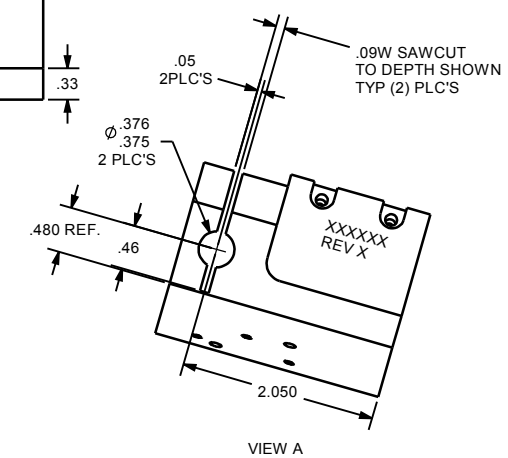
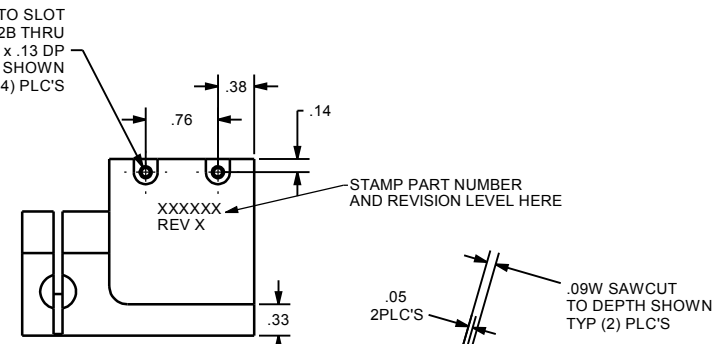
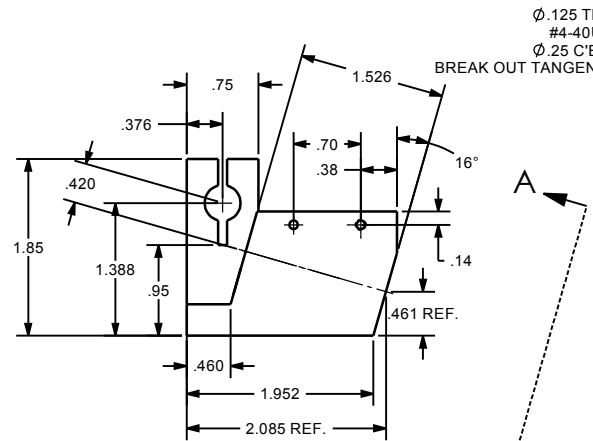
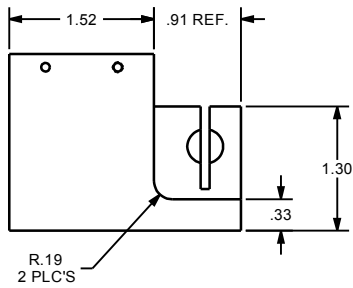
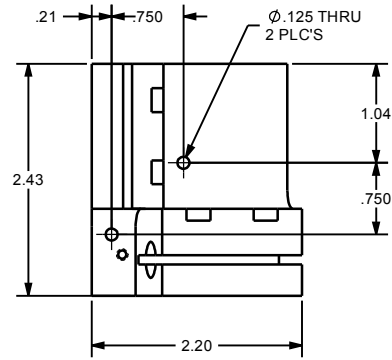


REVISIONS				
ECO	REV	DESCRIPTION	APPR	DATE
4224	A	RELEASE	JZ	Apr-08



- NOTES:
 1. PART IS TO BE FULLY RoHS COMPLIANT.
 2. FINISHED PART SHOULD BE FREE OF DENTS AND BLEMISHES.

UNLESS OTHERWISE SPECIFIED DIMENSIONS ARE IN INCHES		DRN		CAMBRIDGE TECHNOLOGY, INC. 25 HARTWELL AVE. LEXINGTON, MA 02421
TOLERANCES		ENG	JZ 04/01/08	
.XX± .010	ANGLES± 0°-30'	APPR		TITLE
.XXX± .005		PROJECTION		6215 XY MOUNT RH 7mmDIA x 40° OPT
.XXXX± .0005		DRAWING SIZE: C		
[] INDICATES mm	63	MATERIAL		DRW. NO.
SURFACE ROUGHNESS V		61021507R40		D08141
BREAK ALL SHARP EDGES		FINISH		REVISION
		BLACK ANODIZE		A
USED ON				SCALE 1:1 SHEET 1 OF 1

These drawings and specifications are the property of CAMBRIDGE TECHNOLOGY and shall not be reproduced, or copied, or used as the basis for the manufacture, or sale of apparatus without the written permission of CAMBRIDGE TECHNOLOGY, INC.