

---

**KEITHLEY**

**Test Instrumentation Group**  
**Keithley Instruments, Inc.**  
28755 Aurora Road  
Cleveland, Ohio 44139-1891  
(216) 248-0400 • Fax: (216) 498-2704  
1-800-552-1115

**INSTRUCTION MANUAL**  
**MODEL 227**  
**CURRENT SOURCE**  
**(AND MODEL 2271 PROGRAMMING OPTION)**



INSTRUCTION MANUAL  
Model 227  
Current Source  
(and Model 2271 Programming Option)

© COPYRIGHT 1976, KEITHLEY INSTRUMENTS, INC.  
FOURTH PRINTING, JAN. 1978, CLEVELAND, OHIO, U.S.A.



**WARNING**

*EXTREME CARE SHOULD BE TAKEN TO AVOID CONTACT WITH HIGH VOLTAGES WHEN MAKING CONNECTIONS TO EXTERNAL TERMINALS OR WHEN SERVICING THE MODEL 227 WITH TOP AND BOTTOM COVERS REMOVED.*

**Recommended Procedures for User Safety:**

1. Detach line power cord when repairs or servicing must be performed with top and/or bottom covers removed.
2. Make certain third-wire ground pin on line power cord is connected to earth ground. This will ensure that the Model 227 chassis is at ground potential.
3. Before making connections anywhere on the front or rear panels, remove power to Model 227 by detaching the line power cord, or by setting the power switch to OFF, or by setting the OUTPUT SELECTOR switch to "SHORT" or "OPEN". Also, remove all external power Sources which may be connected between LO and CASE.
4. If the Model 227 LO terminal is to be floated above CASE, make certain that the metal link is removed between front panel LO and CASE terminals.
5. Make certain cable connections are well insulated and that no bare wires are exposed. Use connectors with fully enclosed and insulated wiring.
6. During calibration with top and/or bottom covers removed, extreme care must be taken to avoid contact with exposed circuitry. Use insulated tools and gloves for maximum safety. Various test points and adjustment circuitry may be up to 300 volts potential.

## CONTENTS

<u>SECTION</u>	<u>PAGE</u>
SPECIFICATIONS -----	vi
1. GENERAL INFORMATION -----	1
2. INITIAL PREPARATION -----	2
3. OPERATING INSTRUCTIONS -----	8
4. ACCESSORIES -----	24
5. THEORY OF OPERATION -----	25
6. MAINTENANCE -----	27
7. REPLACEABLE PARTS -----	39
SCHEMATICS -----	60

## ILLUSTRATIONS

Fig. No.	Title	Page
1	Front Panel. -----	1
2	Rear Panel Showing Line Switches. -----	2
3	Recommended Mounting and Ventilation. -----	3
4	Location of Air Filter. -----	3
5	Voltage Levels Present at Front and Rear Panel Terminals. -----	5
6	Front Panel Terminals and Controls. -----	7
7	Rear Panel Terminals. -----	7
8a,b,c	Output Selector Switch Positions. -----	9
9	Voltage Output Versus % Rotation for Compliance Control. -----	10
10	Connections as a Current Source with Resistive Load. -----	11
11	Connections as a Current Sink with Resistive Load. -----	11
12	Connections as a Current Source with Capacitive Load. -----	13
13	Connections as a Current Source with Inductive Load. -----	13
14a,b	Power Limits when used as a Current Sink. -----	14
15	Typical Output Impedance Versus Frequency for 1000 $\mu$ A Range. -----	15
16	Output Noise Versus Compliance Voltage. -----	16
17	Output Noise Versus RC Time Constant of External Load. -----	16
18	Connections for Floating Operation. -----	17
19	Frequency Response for Voltage Programming. -----	18
20	Use of Voltage Program Input to Modulate Current. -----	18
21	Rear Panel Remote Programming Connector. -----	20
22	Compliance Programming up to 50V. -----	21
23	Compliance Programming up to 300V. -----	21
24	Resistance Programming of Current. -----	22
25	Preferred Cabling Techniques. -----	23
26	Model 1008 Single Rack Mounting Kit. -----	24
27	Overall Block Diagram of Model 227. -----	26
28	Simplified Diagram of Current Source. -----	27
29	Test Set-up for Model 227/2271 Calibration. -----	36
30	Location of Adjustments with Top Cover Removed. -----	38
31	Location of Adjustments with Bottom Cover Removed. -----	38
32	Chassis Assembly. -----	41
33	Component Layout, PC-330. -----	53
34	Component Layout, PC-331. -----	55
35	Component Layout, PC-342. -----	56
36	Case Outlines, Integrated Circuits. -----	57
37	Case Outlines, Integrated Circuits. -----	58
38	Case Outlines, Transistors. -----	59

## SPECIFICATIONS

Calibrated at 25°C ± 3°C

## AS A DC CONSTANT CURRENT SOURCE

## OUTPUT:

Current: ±1 microampere (1000 microamperes full range) to ±1000 milliamperes in four decade ranges; 3-digit in-line readout; 11% overrange to 1110.

Voltage Compliance: ±300 volts on 100 milliampere range and lower. ±50 volts on 1000 milliampere range. Compliance limit continuously adjustable from approximately 3 volts to full voltage compliance.

Floating: ±500 volts maximum off chassis ground.

RESOLUTION: 0.005% of range, 3-digit readout.

ACCURACY: ±(0.5% of setting + 0.12% of range).

## AS A BIPOLAR PROGRAMMABLE CONSTANT-CURRENT AMPLIFIER

VOLTAGE PROGRAMMING (INPUT): DC-coupled 0 to ±11 volts. Input resistance 10 kilohm. Input must be isolated from output load by greater than 10<sup>6</sup> ohms. TRANSFER FUNCTION ±10 volts dc for ± full-range current output. Accuracy ±0.5%, zero offset less than 0.1% of range.

BANDWIDTH (-3dB): 600 Hz minimum.

OPTIONAL PROGRAMMING: Model 2271 option permits remote programming of Range, Magnitude, Polarity, Compliance Limit (See Model 2271).

## GENERAL

STABILITY: ±(0.005% of setting + 0.005% of range)/°C. Short-term stability up to 30 days is masked by this temperature coefficient.

LOAD REGULATION: ±0.005% of range from no load to full load.

LINE REGULATION: ±0.005% of range for 10% change in line voltage.

NOISE: Wideband noise less than (0.03% of range + 2 millivolts) rms above 5 Hz.

## ENVIRONMENT:

Operating: 0°C to 50°C. 0% to 80% relative humidity up to 35°C. Requires approximately 2-inch top and 6-inch rear panel clearances for air movement.

Storage: -25°C to 70°C.

CONNECTORS: Output (front and rear), Voltage Programming Input (rear); Binding Posts.

POWER: 90-110, 105-125, 195-235, 210-250 volts (switch selected), 50-60 Hz; 145 watts.

DIMENSIONS, WEIGHT: Style N, 5-1/4 in. half-rack, overall bench size 5-3/4 in. high x 8-3/4 in. wide x 15-1/4 in. deep (145 x 220 x 385 mm). Net weight, 24 pounds (10,9 kg).

## Specifications for Model 2271 Programming Option.

Calibrated at 25°C ± 3°C

RANGE SELECT: Closure\* on one of four lines selects range.

## CURRENT SET:

Voltage Programming: Standard feature of Model 227. See specifications of 227.

Resistance Programming: Transfer function: 10% of full range per kilohm (±0.5%). Zero at approximately 11 kilohms. Stability: adds ±(0.01% of setting + 0.01% of range)/°C to Model 227 specification. Resistance must be isolated and shielded.

## COMPLIANCE LIMIT:

External Operate: Closure\* enables external control of both span and limit. Open enables 227 front-panel control.

Span Select: Closure\* enables compliance limit to be set from 10 to 300 volts, open makes span 4 to 50 volts.

Compliance Limit Set: Resistance programmed, non-linear transfer function, 0Ω yields high end of span, 25kΩ yields approximately mid span, open circuit yields low end. Resistance must be isolated and shielded.

Flag (Output): Logic "0" (≅ <0.4V drop while sinking 16mA to external power supply Lo) appears when 227 is in compliance limit. Logic "1" (≅ >2.4V at up to 400μA referenced to supply Lo) appears when 227 is not in compliance limit.

## REQUIRED CONTROL LEVELS:

\*CLOSURE ≡ Closure to external power supply LO within 0.5 volt while sinking 50mA (range-select for 1-ampere range requires sinking 100mA).

OPEN ≡ >2 kilohms referenced to external power supply Lo.

EXTERNAL POWER SUPPLY: Requires external power supply of 5 to 6 volts @ 200mA.

CONNECTOR: DAM-15S type mounts on 227 rear panel.

ACCESSORIES SUPPLIED: Mating connector.



## SECTION 1. GENERAL INFORMATION

1-1. INTRODUCTION. The Model 227 is a dc current source with full range current from 1 milliamperes to 1000 milliamperes. The Model 227 provides a compliance up to 300 volts on 1mA, 10mA, and 100mA ranges or up to 50 volts on 1000mA range. The output is bipolar. Load regulation is  $\pm 0.005\%$  of range from no load to full load.

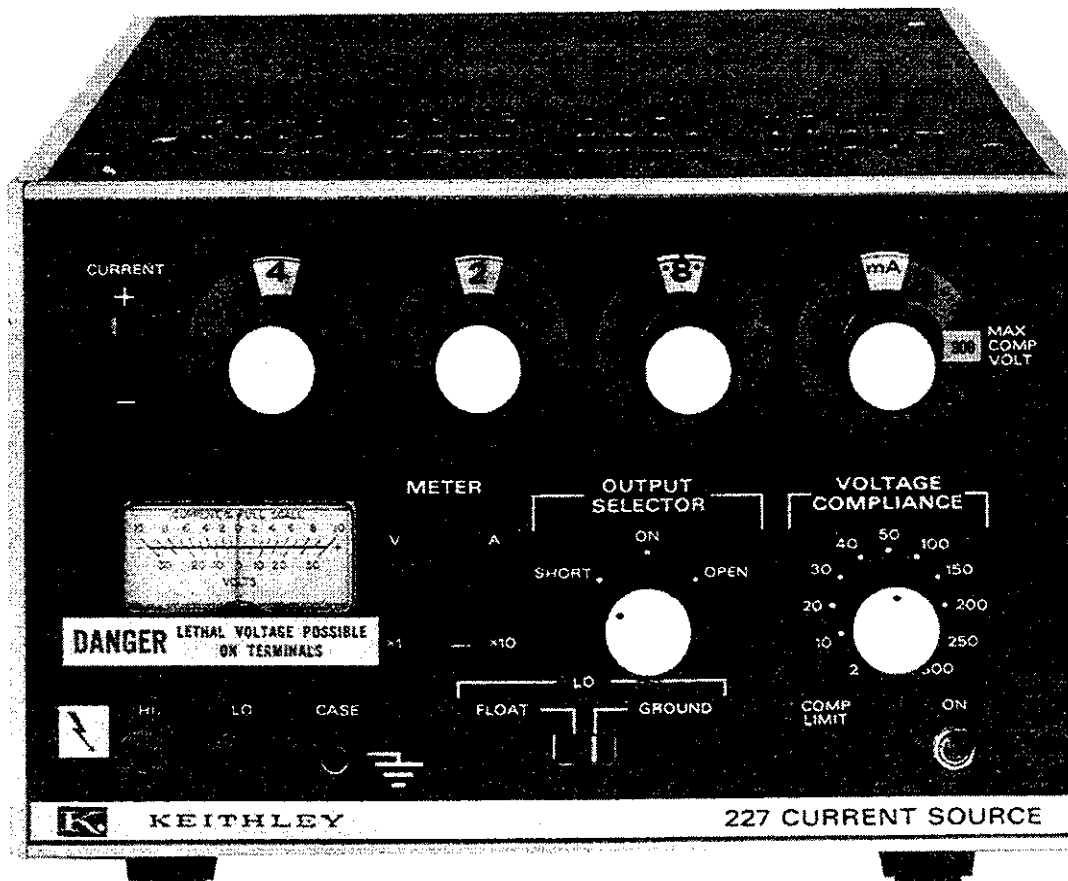
### 1-2. FEATURES.

- a. Three digit readout has least significant digit continuously adjustable using Fine Current Control. Typical setability is 1 degree of rotation (which corresponds to 0.005% of full range).
- b. Compliance limit is adjustable up to 300 volts.
- c. Output can be floated to  $\pm 500$  volts above case.
- d. Voltage programming input is standard.
- e. Model 2271 Programming option is available factory installed.

1-3. WARRANTY INFORMATION. The warranty is stated on the inside front cover of the manual. If there is a need for service, contact your Keithley representative or authorized repair facility as given in our catalog. The Service Form supplied at the back of the manual should be used to provide the repair facility with adequate information concerning any difficulty.

1-4. CHANGE NOTICE. Improvements or changes to the instrument not incorporated into the manual will be explained on a yellow change notice sheet attached to the inside back cover of the manual.

1-5. PROGRAMMING OPTION. The Model 2271 is a factory-installed option which enables remote programming of range, magnitude, polarity, and compliance. Current magnitude and compliance can be resistance programmed. Range and compliance maximum are selected by means of closure to external power supply common. An external +5 volt supply is required to energize relay coils in the Model 2271.



## SECTION 2. INITIAL PREPARATION

2-1. **GENERAL.** This section provides information needed for incoming inspection and preparation for use.

2-2. **INSPECTION.** The Model 227 was carefully inspected both mechanically and electrically before shipment. Upon receiving the instrument, check for any obvious damage which may have occurred during transit. Report any damages to the shipping agent. To verify the electrical specifications, follow the procedures in Section 5.

2-3. **PREPARATION FOR USE.**

a. **How to Set Line Switches.** The Model 227 has two rear panel line switches which are used to select line voltage ranges of 90-110V, 105-125V, 195-235V, or 210-250V as shown in Figure 2. The line switches are identified as 117/234V (S303) and LOW/NORM (S302). Once the line voltage to be used has been determined, then the line voltage range should be selected from the four ranges available on the Model 227. For example, when the line voltage to be used is within the range from 105 to 125 volts, then the line switches should be set to "117V" and "NORM" positions. If the line voltage to be used is within either of two overlapping ranges, such as 107 volts, then either range may be selected (117V, LOW, or 117V NORM, for this particular example). Line voltages which are not covered by any one of the four ranges require an appropriate step-up or step-down transformer.

b. **Line Fuse Requirements.** The Model 227 uses a 2-1/2A 3AG slo-blo fuse for the range 90-125V and a 1-1/4A line fuse for the range 195-250V. The Line Fuse is located on rear panel as shown in Figure 2.

c. **Line Power Connections.** An accessory line cord is furnished with the Model 227. The 3-wire, 8 foot (244 cm) line cord mates with the rear panel receptac P306. Extra line cords can be ordered from Keithley by specifying Keithley Part No. CO-7.

d. **Mounting and Ventilation.**

1. **Bench Mounting.** The Model 227 requires a 2 inch clearance above the top cover and at least a 6 inch clearance at the back panel to allow for air circulation. Care should be taken to keep the filter on the top cover clear of any obstruction. (See Filter Replacement, paragraph 2-3 d3.)

2. **Rack Mounting.** The Model 227 can be rack mounted using accessory Model 1008 Single Rack Mounting Kit (and Model 2272 Rack Panel Adapter, which allows clearance over the top cover of the Model 227). See Section 4 for installation instructions. The Model 227 requires 2 inch clearance above the top cover and at least 6 inch clearance at the back panel to allow for air circulation. Care should be taken to keep the filter on the top cover clear of an obstruction.

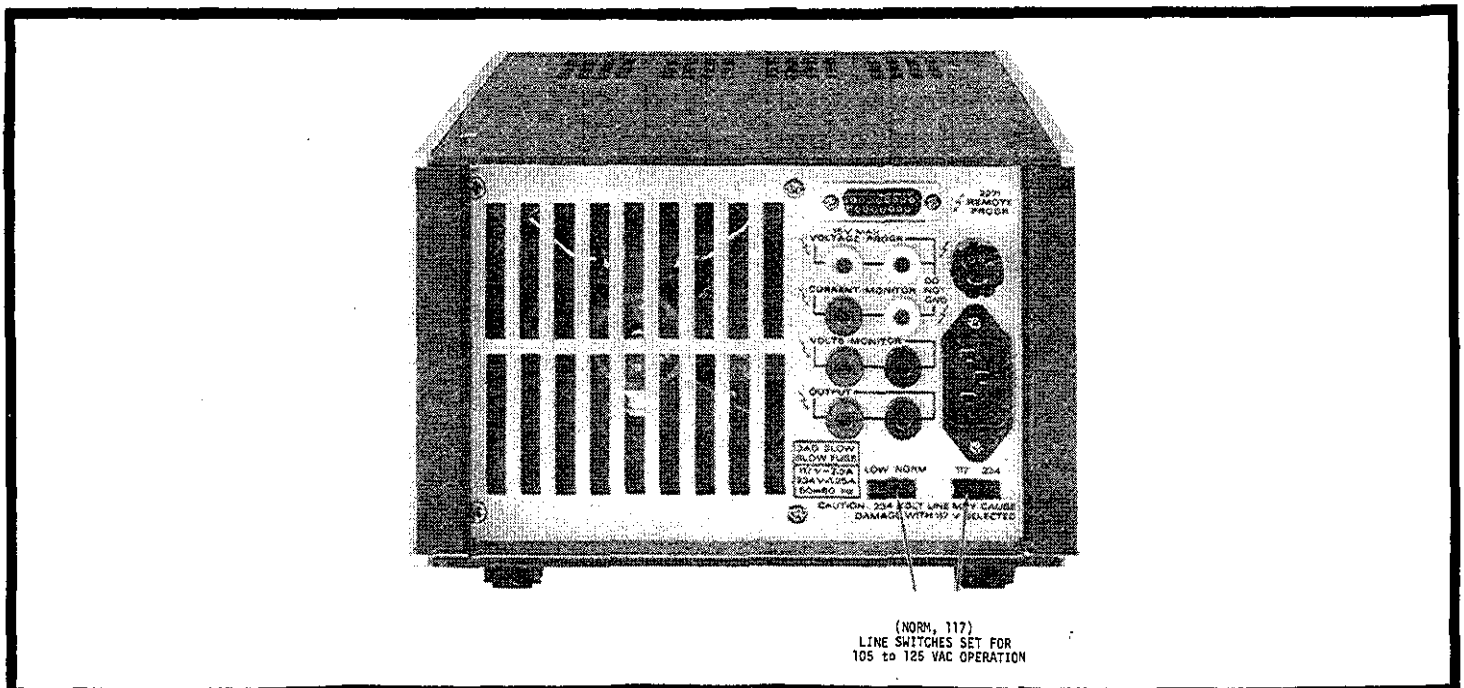


FIGURE 2. Rear Panel Showing Line Switches.

**IMPORTANT**

The Model 227 has been designed to operate at up to 50°C ambient temperature. Sufficient ventilation should be provided so that the fan which circulates air through the Model 227 is able to maintain a flow of cooling air as shown in Figure 3. Should a failure of the fan occur or abnormal internal heating occur, the Model 227 automatically shuts down. The thermal cut-out in the Model 227 will operate regardless of the condition of the fan.

**3. Filter Replacement.** The air filter in the Model 227 is located as shown in Figure 4. The filter should be cleaned or replaced at least once per month under laboratory conditions, or more often when used in industrial environments. The filter can be checked and replaced by removing the top cover. Replace with Keithley Part No. 25791.

**RECOMMENDED CLEANING INSTRUCTIONS:** To clean the filter, remove top cover, detach filter from cover, flush filter with water, and re-coat with Research Products "Super Filter Coat Adhesive". (Research Products Corp., 1015 E. Washington Avenue, Madison, WI. 53701.)

**CAUTION**

Read and understand the following safety precautions before power is applied to the Model 227 or connections are made to any terminals.

**e. Safety Precautions.** The Model 227 should be operated with care since potentially lethal voltages are present at various terminals on the front and rear panels.

**IMPORTANT**

Whenever it is necessary to turn power on or off to the Model 227, set the OUTPUT SELECTOR to SHORT or OPEN and set the VOLTAGE COMPLIANCE control to minimum voltage. This will ensure that power turn on and turn off action will not affect the load.

**1. How to Safely Disconnect the Load.** The OUTPUT SELECTOR Switch (S104) should be used to safely disconnect the load from the Model 227 output.

**a). SHORT Position.** This position should be used when disconnecting a resistive or inductive load. In this position, the Model 227 output current by-passes the output terminals. In addition, a 10 ohm, 1/2 watt resistor is connected across the output terminal. As a result, the SHORT position should not be used with capacitive loads greater than 1µF or external voltage supplies since damage to the Model 227 and the load could result.

**b). OPEN Position.** This position should be used when disconnecting a capacitive load. In this position, the Model 227 output current by-passes the output terminals. The output terminals are open. Do not use this position with inductive loads since a high voltage may be instantaneously developed at the output terminals due to an interruption of current flowing through the inductance causing possible damage to the Model 227.

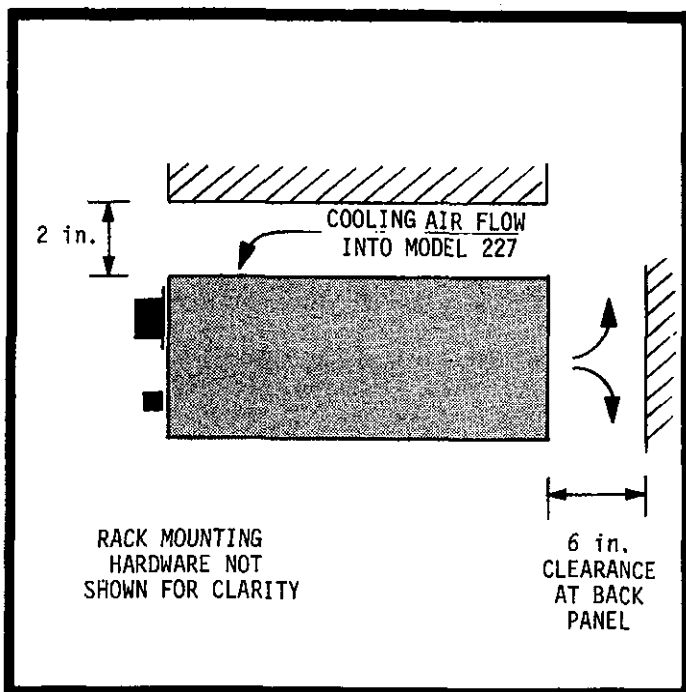


FIGURE 3. Recommended Mounting and Ventilation.

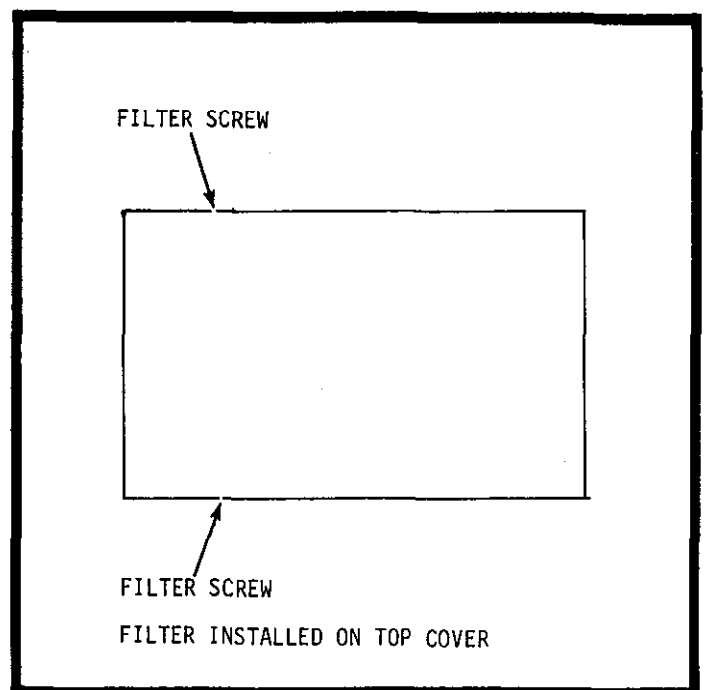


FIGURE 4. Location of Air Filter.

2. How to Safely Use Front and Rear Terminals.  
 (See Figure 5 and Table 2-1 for a complete listing of all voltages present.)

a). Front and Rear Panel HI Terminal (J109, J107). These terminals provide current output up to the maximum compliance voltage as set on the Model 227 (either by front panel range switch or by Model 2271 Remote Programming). As a result, the terminals can be up to 305 volts above LO (Black) depending on range selected. If the LO terminal is floating at 500 volts above CASE (Green), then up to 805 volts can be present at HI. For operator safety, set COMPLIANCE LIMIT to minimum or set OUTPUT SELECTOR Switch to "SHORT" or "OPEN".

b). Front and Rear Panel LO Terminal. Terminals J110 (Black) and J108 (Black) can be at 500 volts if LO is floating above CASE (Green).

c). VOLTAGE PROGRAMMING Terminal. Terminals J101 (Blue) and J102 (Black) float at output HI potential and can be up to 306 volts above output LO (Black).

d). CURRENT MONITOR Terminals. Terminals J103 and J104 float at output HI potential and can be up to 305 volts above output LO.

e). VOLTS MONITOR Terminal. Terminal J105 is a buffered output and can be up to 305 volts above output LO. Terminal J106 at the same potential as output LO.

TABLE 2-1.  
 Voltages at Front and Rear Panel Terminals.

Name	Circuit Desig.	Maximum Voltage Referenced to CASE J111	
		Grounded LO	Floating LO
OUTPUT HI	J109 (Front)	305 V	805 V
OUTPUT HI	J107 (Rear)	305 V	805 V
OUTPUT LO	J110 (Front)	0 V	500 V
OUTPUT LO	J108 (Rear)	0 V	500 V
VOLTS MONITOR HI	J105	305 V	805 V
VOLTS MONITOR LO	J106	0 V	500 V
CURRENT MONITOR HI*	J103	305 V	805 V
CURRENT MONITOR LO*	J104	306 V	806 V
VOLT PROGRAM HI*	J101	306 V	806 V
VOLT PROGRAM LO*	J102	306 V	806 V
RESISTANCE PROGRAM HI*	J401, pin 2	306 V	806 V
RESISTANCE PROGRAM LO*	J401, pin 10	306 V	806 V

**\*IMPORTANT**

These terminals are fused by F101 which is a type 8AG fast-acting fuse rated at 0.125 amperes. A short circuit to output LO will cause the fuse to blow within 5 seconds. Warning: Instantaneous current could exceed 200mA until fuse blows.

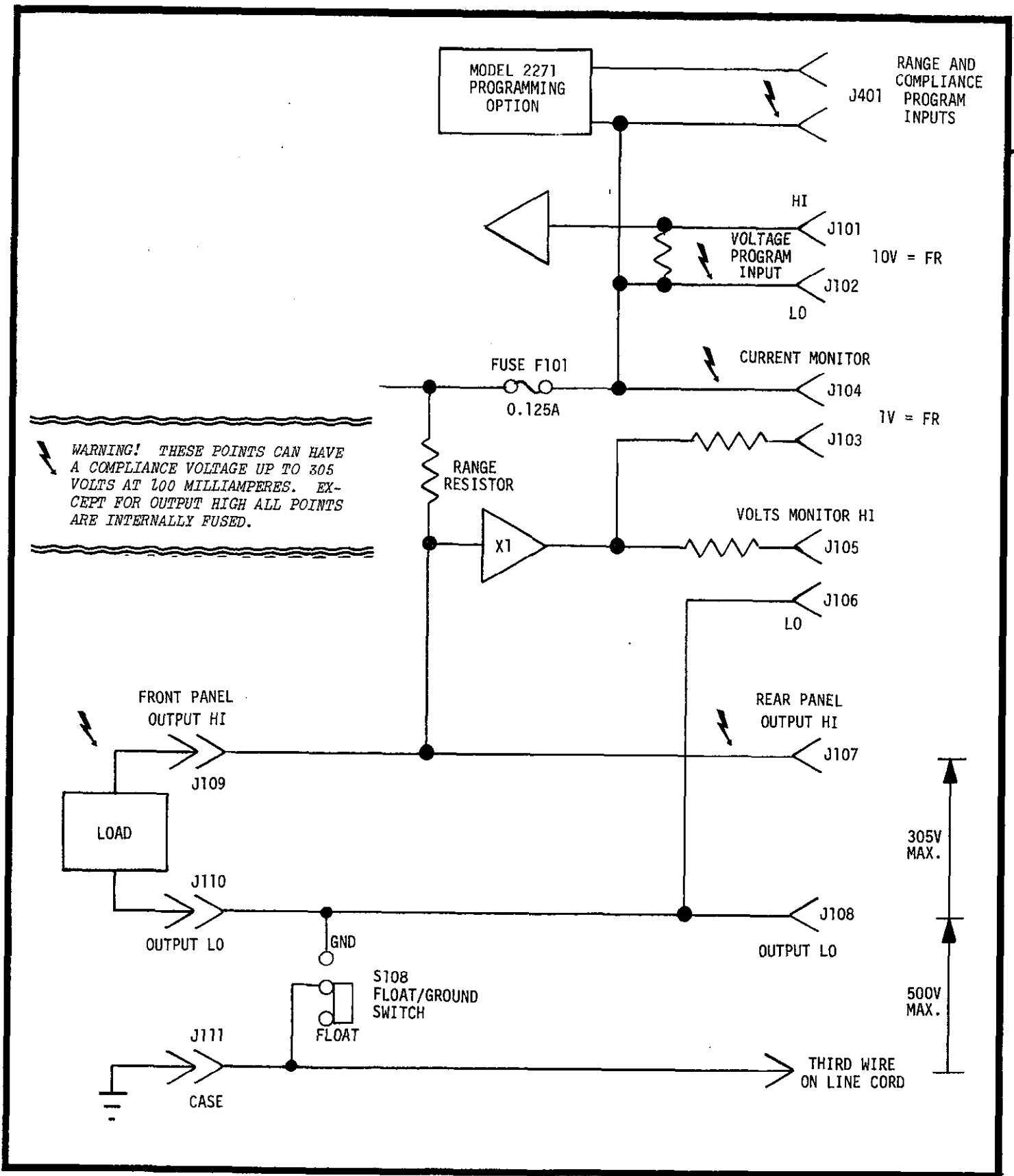


FIGURE 5. Voltage Levels Present at Front and Rear Panel Terminals.

TABLE 2-2.  
Front and Rear Panel Controls and Connectors.

Control or Connector	Description	Paragraph
<u>Front Panel</u> Power Switch (S301)	Applies power to instrument.	3-3b
OUTPUT SELECTOR Switch (S104)	Sets output configuration. (Should be used to safely disconnect the output load.)	2-3e
Range Switch (S101)	Sets full range current in decade steps (1000 $\mu$ A, 10mA, 100mA, and 1000mA).	3-3f
Decade Selector Switches (S102, S103)	These switches are used with Fine Current Control to set current output. Each switch has discrete decade steps from 1 to 10, while the Fine Current Control is continuously adjustable.	3-3g
Fine Current Control (R124)	Adjusts current between 0.000 to 0.011 times full range. This control is continuously adjustable. Typical set-ability of 1 degree of rotation or 0.005% of full range.	3-3g
CURRENT Polarity Switch (S105)	Sets output polarity.	3-3e
VOLTAGE COMPLIANCE (R101)	Adjusts compliance voltage limit up to 300 volts.	3-3d
METER V/A Switch (S106)	Sets meter to read voltage or current.	
METER X1/X10 Switch (S107)	Sets meter sensitivity for scale factor of X1 or X10.	
COMP LIMIT Indicator (DS104)	Indicates compliance limit mode when lighted.	3-4a1
Output HI (J109)	Connection to output HI. (In parallel with J107.)	3-2a1
Output LO (J110)*	Connection to output LO. (In parallel with J108.)	3-2a1
CASE (J111)* FLOAT/GROUND Switch (S108)	Chassis ground. (Connected to third wire ground.) Connects LO and CASE when set to GROUND.	3-2a1
<u>Rear Panel</u> REMOTE PROGRAM (J401)	Provides inputs and outputs for range, current, and voltage control. (Available when Model 2271 option is installed.)	3-2b2
VOLTAGE PROGRAM (J101, J102)	Provides input for voltage programming.	3-2b1
CURRENT MONITOR (J103, J104)	Provides output for monitoring current (1V = Full Range).	3-2a3
VOLTS MONITOR (J105, J106)	Provides output for monitoring voltage (up to 300 volts)	3-2a2
Output HI, LO (J107, J108)	Outputs which are in parallel with front panel HI and LO.	3-2a1

## NOTE\*

On some models a shorting link is provided to connect LO and CASE. On models presently manufactured, banana type terminals are used instead of binding post type and the shorting link is no longer used. A front panel FLOAT/GROUND Switch has been added to permit a connection between LO and CASE for grounded applications.

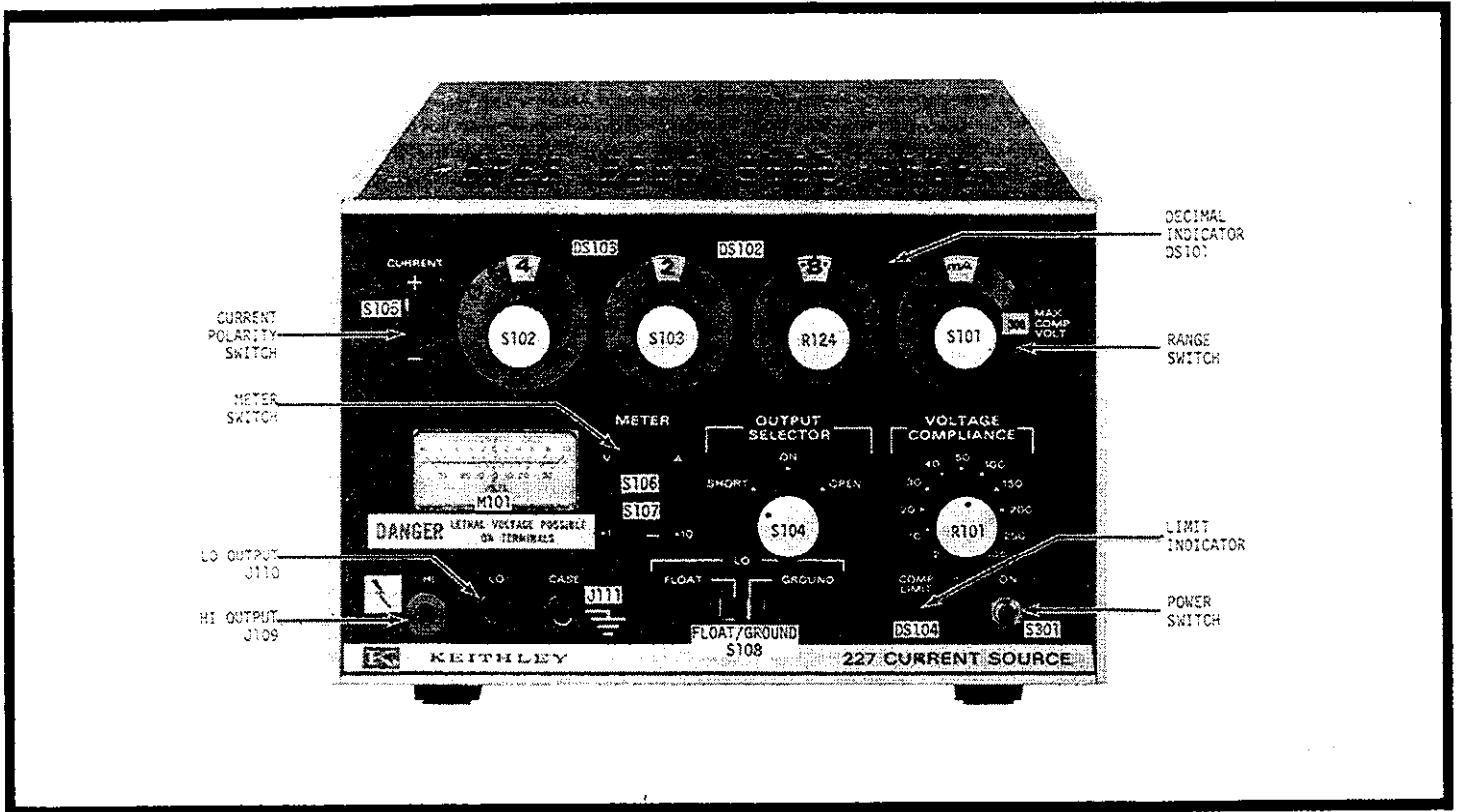


FIGURE 6. Front Panel Terminals and Controls.

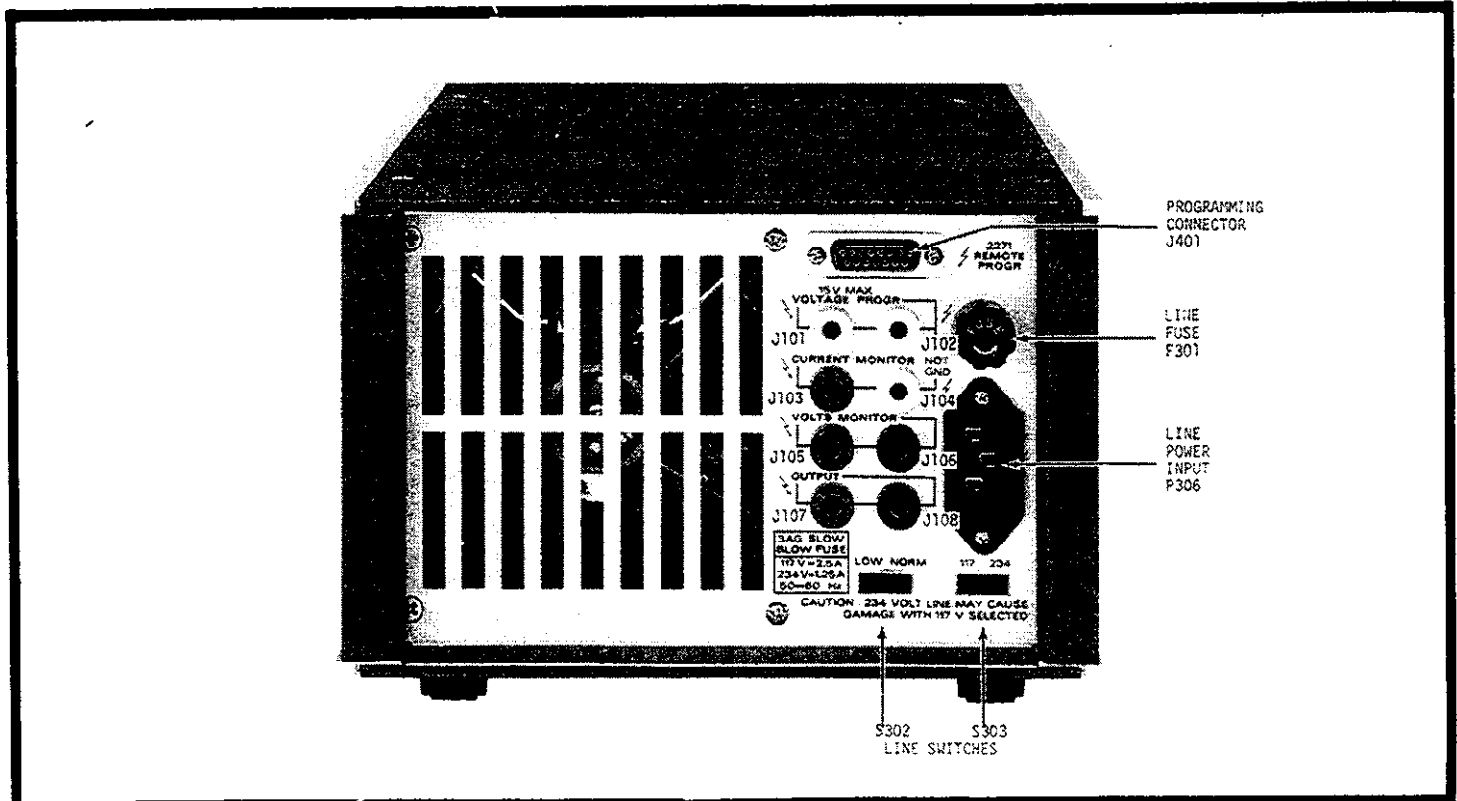


FIGURE 7. Rear Panel Terminals.

## SECTION 3. OPERATING INSTRUCTIONS

3-1. GENERAL. This section provides information to operate the Model 227 as a current source or programmable current amplifier.

### 3-2. HOW TO MAKE CONNECTIONS

#### a. Output Connections.

1. Current Output. Output current is provided at the red (HI, J109) and black (LO, J110) banana posts on the front panel. The green (CASE, J111) banana post is internally connected to chassis and line cord ground. When connecting a load to the Model 227 use a cable rated at 1000 volts and 1 ampere. A second set of banana posts are provided on the rear panel (red, J107 and black, J108). Make certain no connections are made to rear panel terminals when the front panel output terminals are being used.

#### CAUTION

Set compliance control to minimum and OUTPUT SELECTOR to either SHORT or OPEN before connections are made.

2. VOLTAGE MONITOR Output. The rear panel VOLTS MONITOR banana post (J105) permits the user to monitor the output voltage of the Model 227 without disturbing the output current. This buffered output has an output resistance of 10 kilohms. As a result a voltmeter having greater than 100 megohms input resistance should be used to keep the loading error below 0.01%.

3. CURRENT MONITOR Output. The rear panel CURRENT MONITOR banana posts (blue, J103, and white, J104) permits the user to monitor the current of the Model 227. This output provides a 1 volt dc level corresponding to full range output current. Output resistance is 10 kilohms. Both blue and white terminals are floating at the output HI voltage. Monitor voltage polarity is opposite of output current polarity.

#### b. Input Connections.

1. VOLTAGE PROGRAM Input. The yellow (J101) and white (J102) banana posts permit the user to set the output current of the Model 227 on a given range using a voltage from 0 to  $\pm 10$  volts. The input is dc coupled and has an input resistance of 10K ohms. The output current can also be modulated by using a signal generator with floating output. The transfer characteristics of the voltage program input is shown in Figure 19. See Section 3-7 for a detailed discussion of voltage programming.

2. PROGRAM Option. When the Model 2271 Remote Program option is installed, the Model 227 can be remotely programmed to select range, current level, and compliance voltage. A 15-pin connector (J401) is provided when the Model 2271 is installed at the factory. See Section 3-8 for a detailed discussion of the remote program option.

### 3-3. HOW TO SET OUTPUT CURRENT.

a. Set OUTPUT SELECTOR Switch (S104) to either "SHORT" or "OPEN" standby positions to eliminate the possibility of shock or damage to the load. (See also Section 2-3e for important safety precautions.)

b. Apply power to instrument using Power Switch S301.

c. Determine compliance voltage required.

d. Set VOLTAGE COMPLIANCE Control (R101) to the desired maximum voltage.

1. This control is continuously variable and sets the compliance voltage limit from approx. 3 volts to 50 volts maximum on 1000mA range and up to 300 volts on lower ranges.

2. This control has a tapered resistance such that greater resolution is provided for compliance voltage settings under 60 volts. Figure 9 shows the voltage output versus % rotation of the control.

e. Set current polarity using Polarity Switch (S105).

f. Set current range using Range Switch (S101).

1. This switch sets the maximum current in four decades (1000 $\mu$ A, 10mA, 100mA, and 1000mA).

2. The dial is designated in terms of engineering units, either  $\mu$ A (microamperes) or mA (milliamperes).

3. Full range is determined by the decimal point position (lighted) and the engineering unit displayed ( $\mu$ A or mA).

g. Set current output using Decade Switches (S102, S103) and Fine Current Control (R124).

1. The Decade Switches set the two most significant digits in decade steps from 0 to 10.

2. The Fine Control provides continuous adjustment of the least significant digit with typical setability of 1 degree of rotation (corresponding to 0.005% of full range). The dial has a maximum readout of 10 plus approximately 10% adjustment beyond 10.

h. Connect the load as described in Section 3-2a.

i. Set OUTPUT SELECTOR Switch to "ON".

1. When set to "ON" the Model 227 can develop up to 50 volts at 1000mA or 300 volts at 100mA.

2. Care should be taken when connecting the Model 227 to inductive or capacitive loads. See Sections 2-3e and 3-4b.



FIGURE 8a.  
"OPEN" POSITION  
NO VOLTAGE IS DEVELOPED  
ACROSS OUTPUT TERMINALS

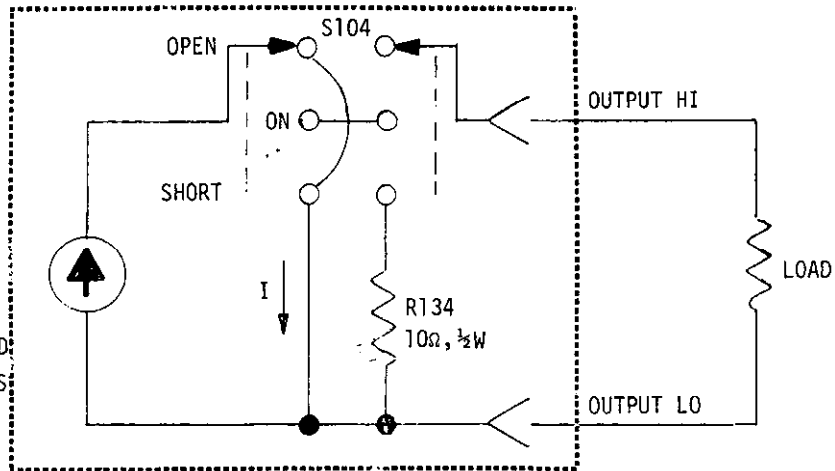


FIGURE 8b.  
"ON" POSITION

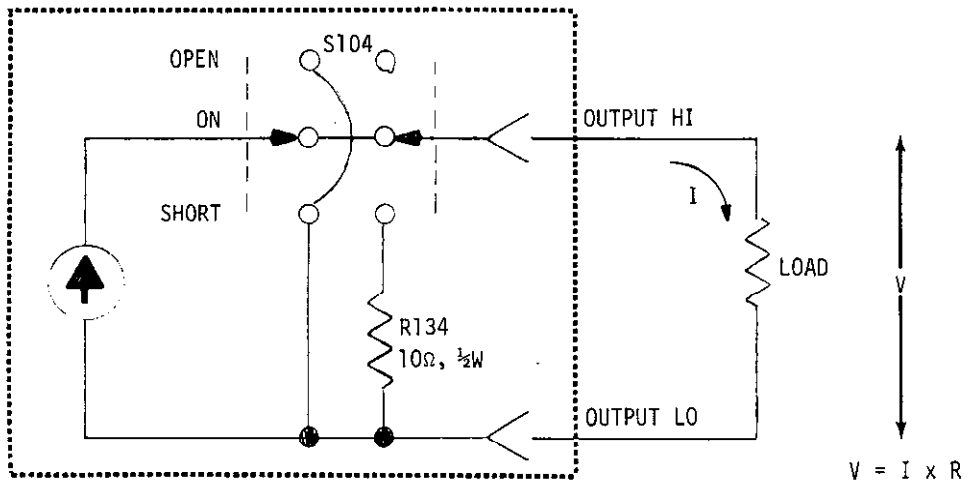


FIGURE 8c.  
"SHORT" POSITION  
NO VOLTAGE IS DEVELOPED  
ACROSS OUTPUT TERMINALS

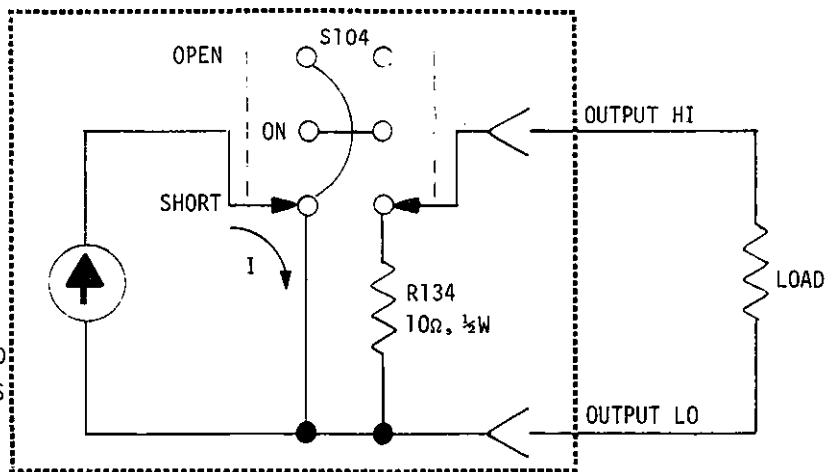


FIGURE 8a,b,c. Output Selector Switch Positions.

TABLE 3-1.  
Summary of Current Settings.

Range Settings	Max. Dial Settings	Max. Voltage	Max. Power to Load
1000 mA	1110. mA	50V	55.5W
100 mA	111.0 mA	300V	33.3W
10 mA	11.10 mA	300V	3.33W
1000 $\mu$ A	1110. $\mu$ A	300V	0.333W

2. Operation as a Current Sink. The Model 227 can be used as a current sink as shown in Figure 11. In this case, the current flow is into the Model 227. The output voltage  $V_o$  is a function of  $E$ ,  $I$ , and  $R_L$  where:

$$V_o = E - I R_L$$

$E$  = external voltage source  
 $I$  = current setting on Model 227  
 $R_L$  = load resistance

CAUTION

When the Model 227 is connected so as to sink current (that is, power is delivered to the Model 227 by an external power supply), care should be taken to limit the power delivered to the terminals of the Model 227 as shown in Figures 14a and 14b. If power dissipated within the Model 227 exceeds these limitations overheating and damage to the Model 227 could occur. For example, if the external power supply is capable of delivering greater than 700 milliamperes, then the voltage across the Model 227 output terminals must be less than 50 volts (approximately 46 watts maximum internal dissipation allowed).

3-4. OPERATING CONSIDERATIONS.

a. How to Use with Resistive Loads.

1. Operation as a Current Source. The Model 227 can deliver a constant current up to the compliance voltage setting. Current is set by use of the Range and Decade Dials on the front panel. With a resistive load as shown in Figure 10, the voltage developed across the load resistance  $R_L$  is:  $V = I \times R_L$ . If the compliance voltage setting  $V_C$  is less than the voltage  $V$ , then the Model 227 will automatically limit the voltage to  $V_C$  and the LIMIT indicator will be lighted.

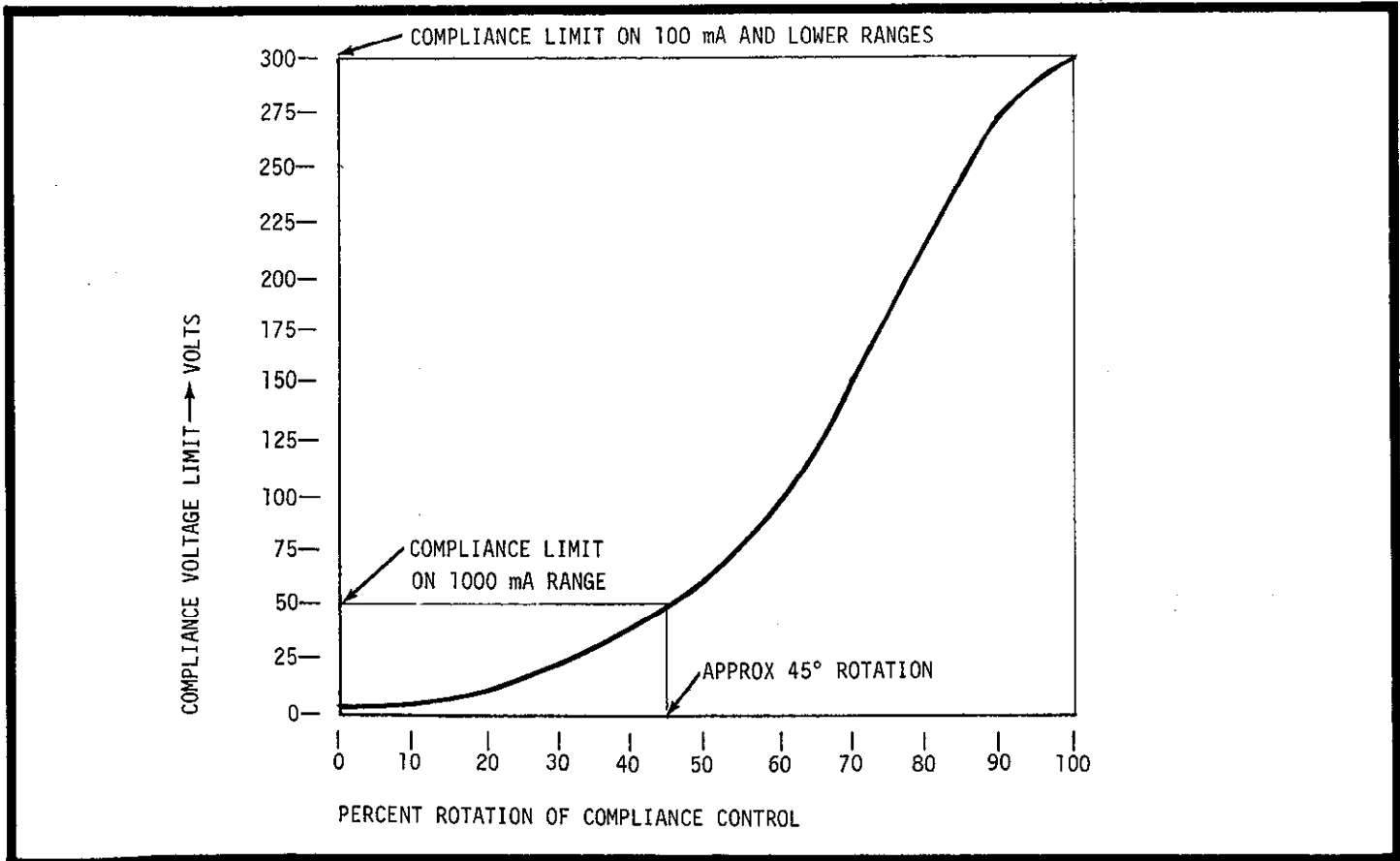


FIGURE 9. Voltage Output Versus % Rotation for Compliance Control.

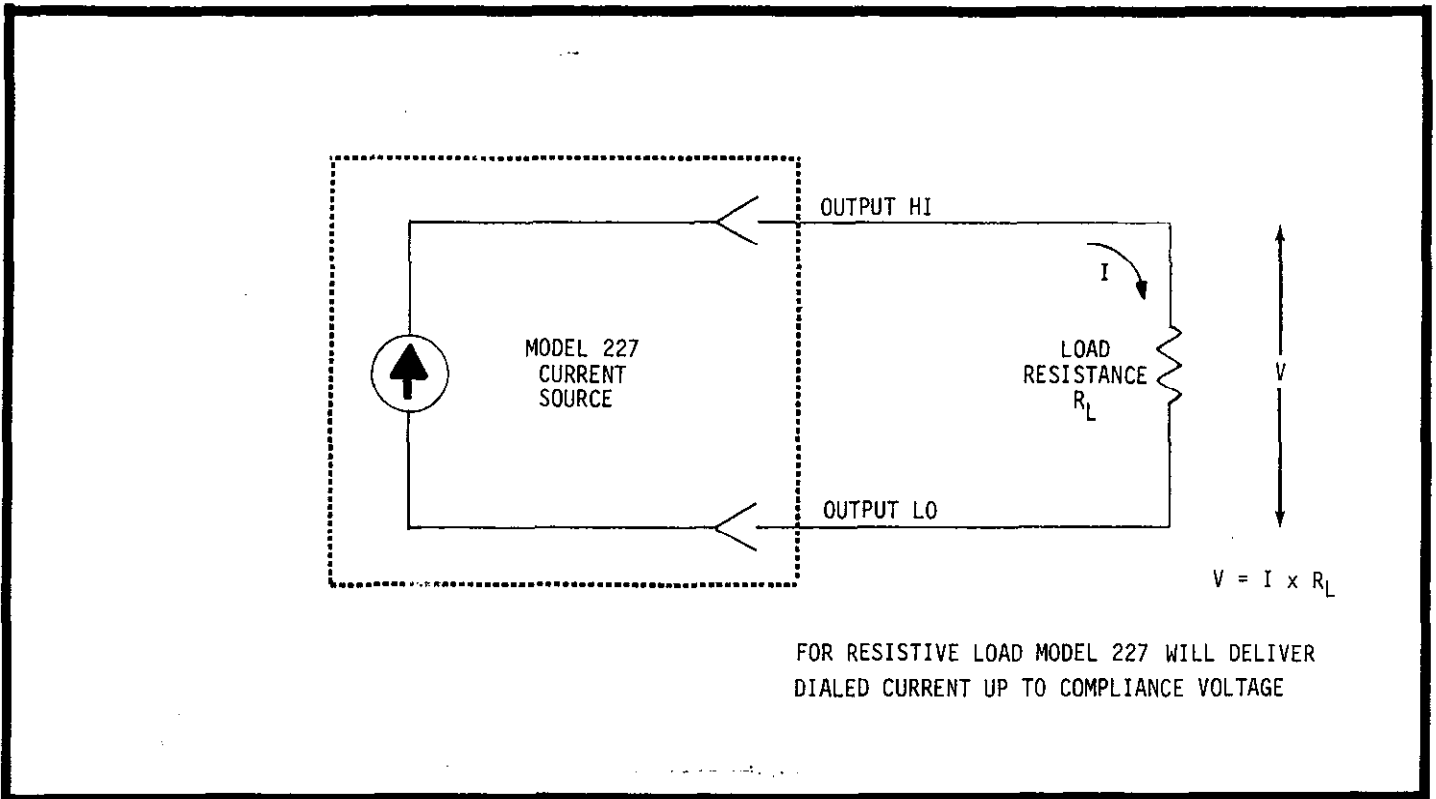


FIGURE 10. Connections as a Current Source with Resistive Load.

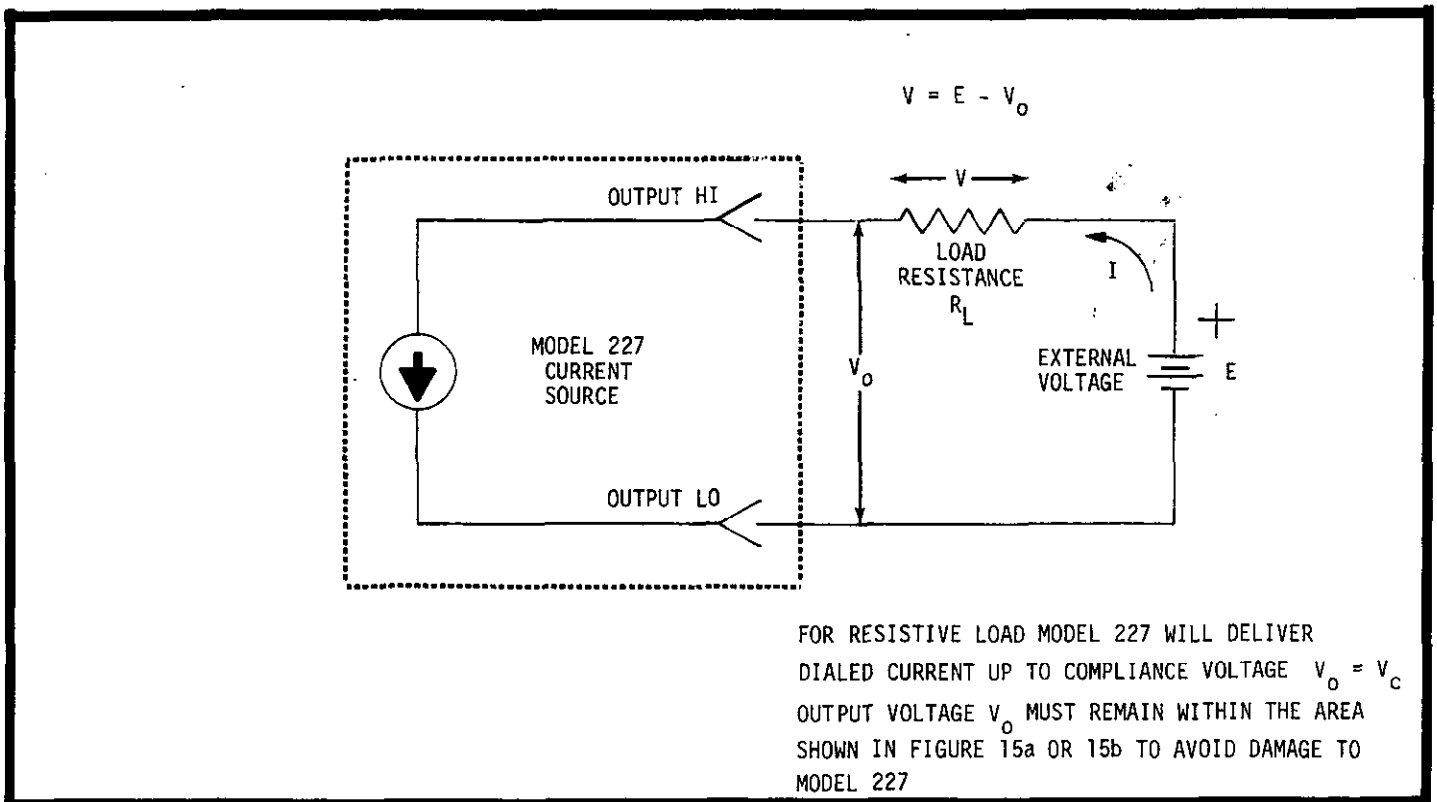


FIGURE 11. Connections as a Current Sink with Resistive Load.

**b. How to Use with Capacitive or Inductive Loads.**

1. Capacitive Load. When a capacitive load is connected, the Model 227 delivers a constant current until the voltage developed reaches the compliance voltage setting  $V_C$ . The voltage  $V_o$  charges to a maximum  $V_C$  according to the following equation:

$$V_o = \frac{1}{C} \int I dt \text{ up to } V_C \text{ (maximum)}$$

where C = load capacitance

When using a capacitive load, it is preferred to use the "OPEN" standby position when not making measurements to avoid shock hazard due to compliance voltage at the output terminals. Do not use the "SHORT" position since the voltage on the capacitive load will be discharged.

2. Inductive Load. When an inductive load is connected, the Model 227 delivers a constant current the same as for a resistive load. However, to maintain stability the ratio load inductance L (Henries) to load resistance R (ohms) should be smaller than approximately  $10^{-6}$ . This ratio is non-linear and depends on the amount of inductance and the range so that larger values of L/R may be needed to prevent oscillations. A typical calculation of the L-to-R ratio is as follows:

For R = 1000 ohms and L = 1 millihenry,

$$L/R = \frac{1 \times 10^{-3} \text{h}}{10^3 \Omega} = 1 \times 10^{-6}$$

If oscillations occur at the output, add series resistance to lower the L-to-R ratio. When using an inductive load, it is preferred to use the "SHORT" standby position when not making measurements to avoid shock hazard due to open terminals. Also, the current should be dialed to zero before disconnecting an inductive load.

c. How to Use the Compliance Control. The compliance control sets the maximum compliance from approximately 3 volts to 50 volts on the 100mA range and from approximately 3 volts to 300 volts on 1mA, 10mA, and 100mA ranges. The compliance voltage should be preset with no load connected. The front panel meter can be used as a guide to setting compliance. (Set METER switches to V and X1 or X10 as appropriate.) The rear panel VOLTS MONITOR output can be used to adjust the compliance more accurately. Use a voltmeter with an input resistance of at least 100 megohms to avoid loading error at VOLTS MONITOR output. The control has a tapered characteristic such that the first 50% of rotation represents a variation from 3 to 60 volts to allow more resolution at lower compliances.

**3-5. MEASUREMENT CONSIDERATIONS.**

a. How to Determine Dial Accuracy. The accuracy is specified as  $\pm(0.5\% \text{ of output} + 0.12\% \text{ of range})$ . Since the total accuracy of the Model 227 is the sum of the reading accuracy and the full range accuracy, the user should select the lowest full range for best possible accuracy. Table 3-2 shows the total accuracy for typical dial settings.

TABLE 3-2.

Comparison of Accuracy for Typical Current Settings.

Output Current	Decade Dial Settings	Range Setting	Total Accuracy
1mA	0-0-1	1000mA	$\pm 1.205 \text{ mA}$
1mA	0-1-0	100mA	$\pm 1.25 \text{ mA}$
1mA	1-0-0	10mA	$\pm 0.17 \text{ mA}$
1mA	10-0-0	1000 $\mu$ A	$\pm 0.062 \text{ mA}$

**b. How to Determine Stability.**

1. Time Stability. Stability with time is taken into account by the basic accuracy specification. (See also Temperature Stability in the following paragraph.)

2. Temperature Stability. Stability is specified as  $\pm(50\text{ppm}/^\circ\text{C} \text{ of range} + 50\text{ppm}/^\circ\text{C} \text{ of dial setting})$ . The lowest full range for the best possible stability should be selected. Maximum allowable ambient temperature is  $50^\circ\text{C}$ .

c. How to Determine Line Regulation. Line regulation is  $\pm(0.005\% \text{ of full range})$  for a corresponding 10% change in line voltage. For example, for a nominal line voltage 115V, the variation would be  $\pm 11.5\text{V}$ .

d. How to Determine Load Regulation. The load regulation is specified as  $\pm(0.005\% \text{ of full range})$  for a change from no-load to full-load. The no-load to full-load variation corresponds to an output compliance voltage change of from 0 to 300V on the 1mA, 10mA, and 100mA ranges and from 0 to 50V on the 1000 mA range.

**e. How to Determine Output Resistance.**

1. DC Output Resistance. The effective output resistance of the Model 227 can be determined by calculations from the load regulation specification.

For the 100mA range:

$$R_L = 3 \times 10^3 \Omega \text{ and } \% \text{ regulation} = .005\%$$

$$\text{Since } \% \text{ regulation} = 100 \times \frac{R_L}{R_O + R_L}$$

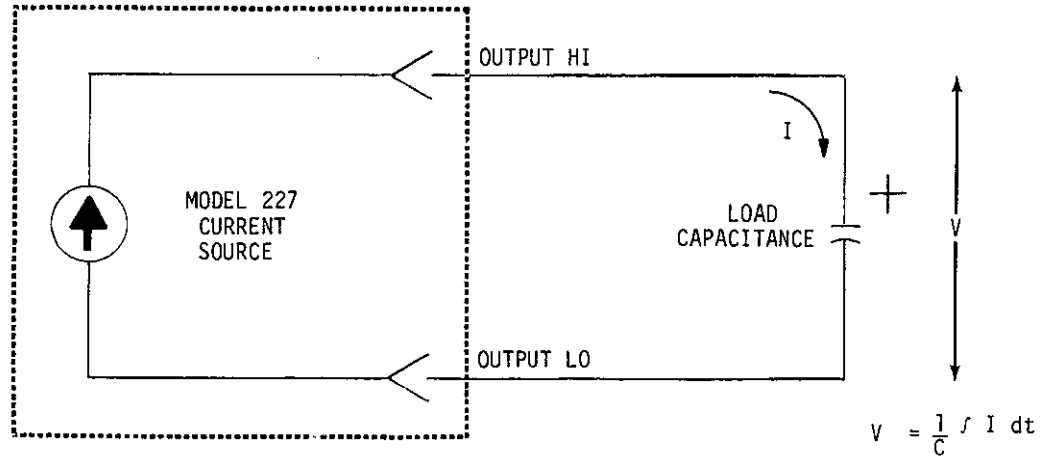
$$\text{then } R_O = \frac{100 R_L}{\% \text{ Reg.}}$$

$$\text{or } R_O = \frac{100 \times 3 \times 10^3}{.005} = 6 \times 10^7 \Omega$$

TABLE 3-3.

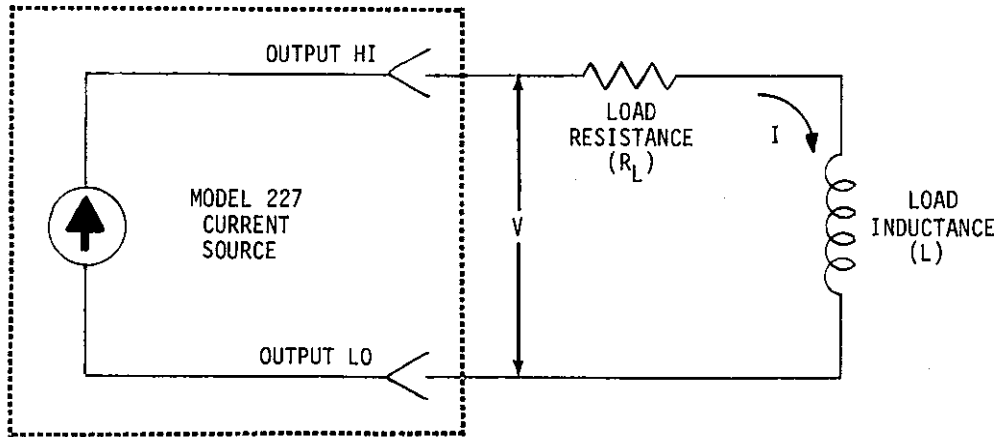
Output Resistance for Model 227.

Range	Output Resistance
1000 $\mu$ A	$6 \times 10^9 \Omega$
10 mA	$6 \times 10^8 \Omega$
100 mA	$6 \times 10^7 \Omega$
1000 mA	$1 \times 10^6 \Omega$



FOR CAPACITIVE LOAD MODEL 227 WILL DELIVER DIALED CURRENT UNTIL COMPLIANCE VOLTAGE  $V_c$  IS REACHED

FIGURE 12. Connections as a Current Source with Capacitive Load.



FOR INDUCTIVE LOAD MODEL 227 WILL DELIVER DIALED CURRENT UP TO COMPLIANCE VOLTAGE

FIGURE 13. Connections as a Current Source with Inductive Load.

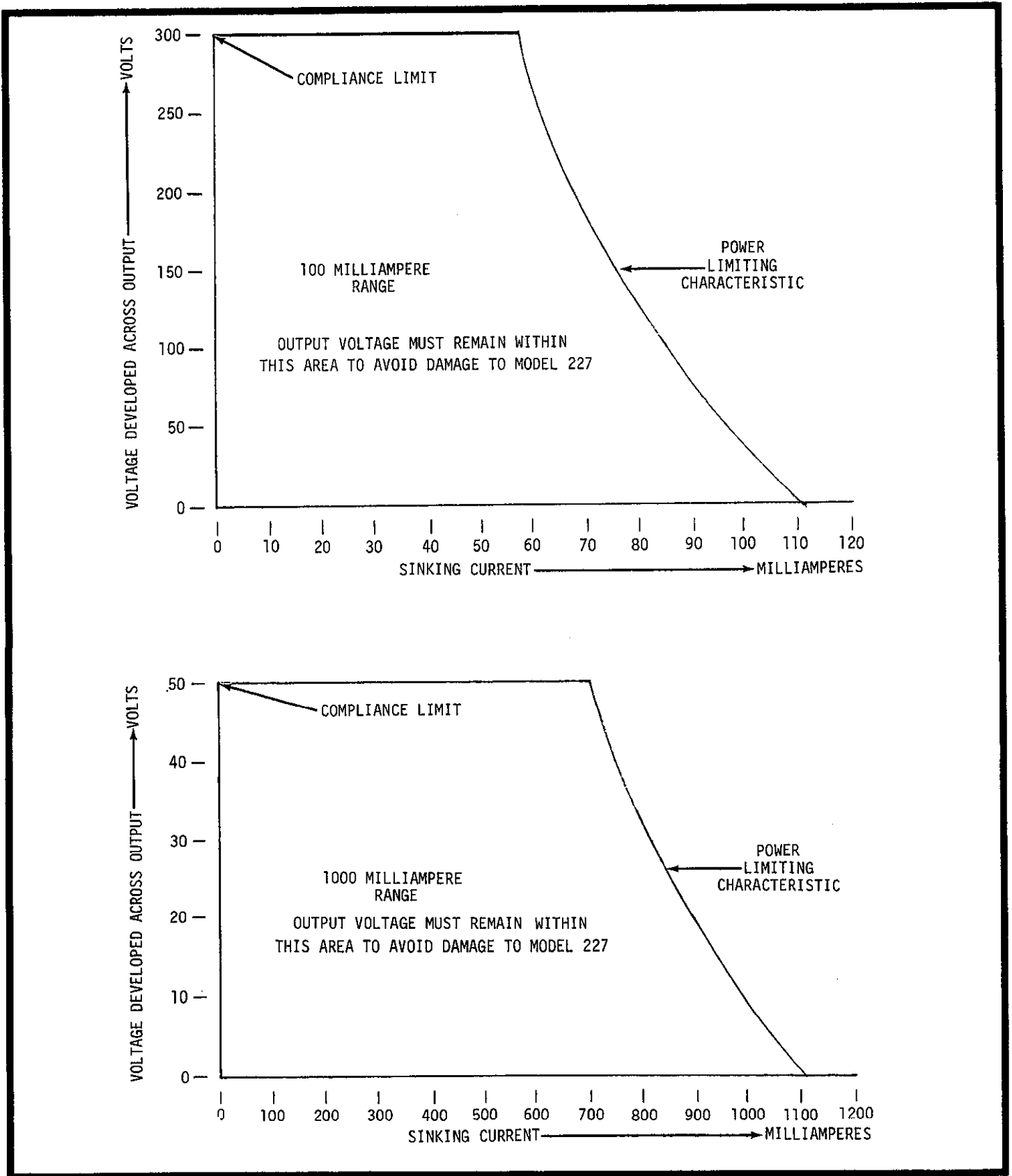


FIGURE 14a,b. Power Limits When Used as a Current Sink.

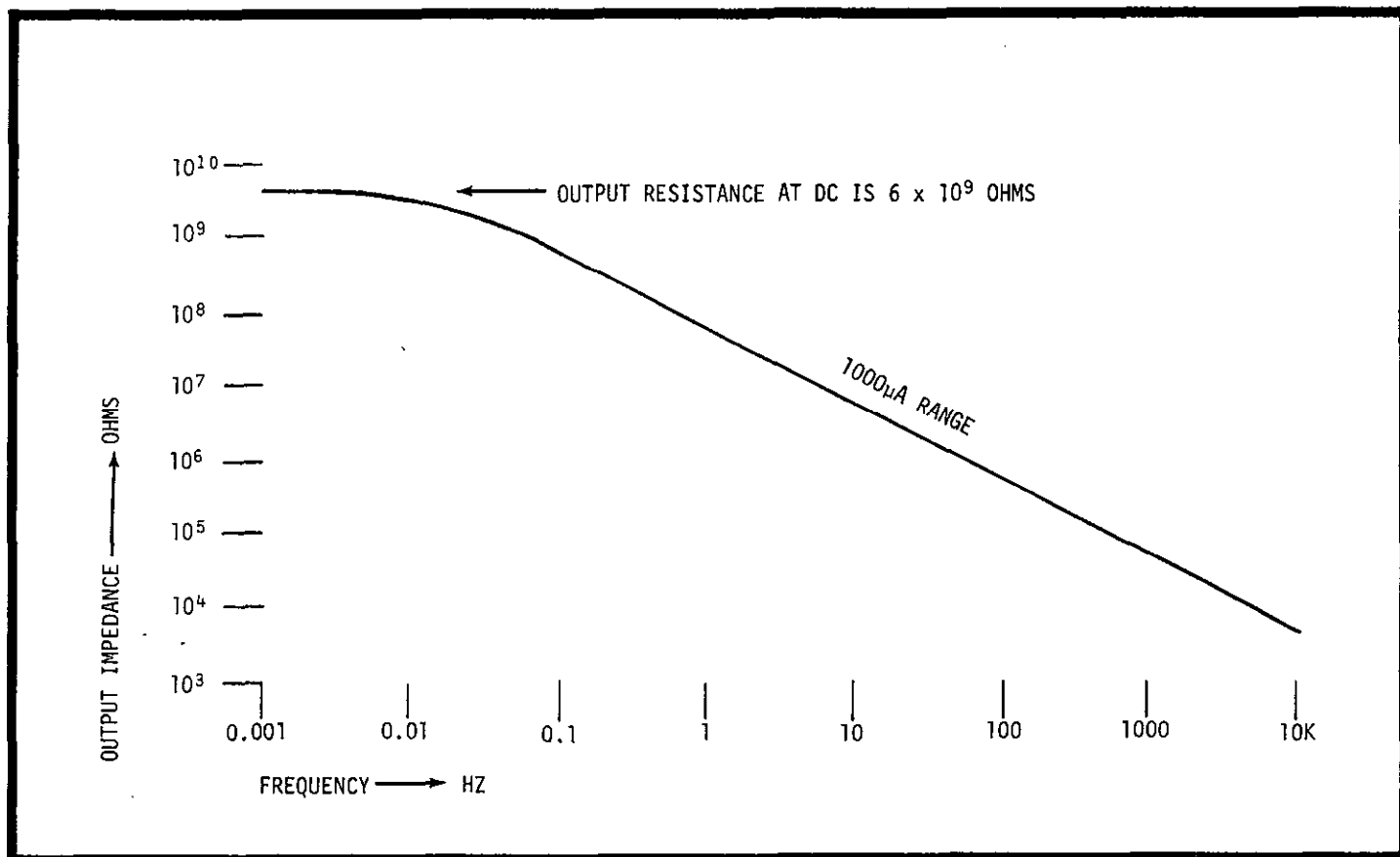


FIGURE 15. Typical Output Impedance Versus Frequency For 1000µA Range.

2. AC Output Impedance. The output impedance of the current source can be considered a shunt capacity across the dc output resistance.

TABLE 3-4.  
Output Capacitance

Range	C
1000 µA	400 pF
10 mA	0.003 µF
100 mA	0.03 µF
1000 mA	0.3 µF

Typical values of output impedance versus frequency for the 1000µA range of the Model 227 are shown in Figure 15.

NOTE

The ac output impedance should be considered when using the Model 227 as an amplifier since the loading error will be a function of frequency of the signal generator. For example, if the load resistance is 300kΩ, the loading error at 10 Hz will be approximately 10%.

f. How to Determine Output Noise. The Model 227 output noise is composed of two components: line frequency ripple (120/100 Hz) and high frequency noise.

1. Line Frequency Ripple. This noise is essentially a constant percentage of range.

2. High Frequency Noise. This noise is a constant voltage.

The sum of the two components can be plotted versus compliance voltage as shown in Figure 16. The rms of range-current noise as a percent of the Model 227 range can be obtained in two ways. First, the percent noise at a specific compliance voltage can be determined. For example, for a compliance voltage of 5 volts, the percent noise would be 0.07% as read from Figure 16 of 5 volts or 0.0035 volts rms. Secondly, by multiplying the percent noise (0.07%) times the Model 227 range, a resultant current noise can be determined. For example, for a 5 volt compliance and a 1000 $\mu$ A full range, the rms current noise would be 0.07% x 1000 $\mu$ A = 0.7 $\mu$ A. From Figure 16, it is evident that a low compliance voltage high-frequency noise is dominant. At high compliance voltages, line frequency ripple is dominant. If high frequency noise at low compliance voltages is objectional, a filter capacitor may be placed across the load. A typical frequency versus noise plot is shown in Figure 17 for 1 volt compliance. For a given RC the noise as a % of full range can be read directly.

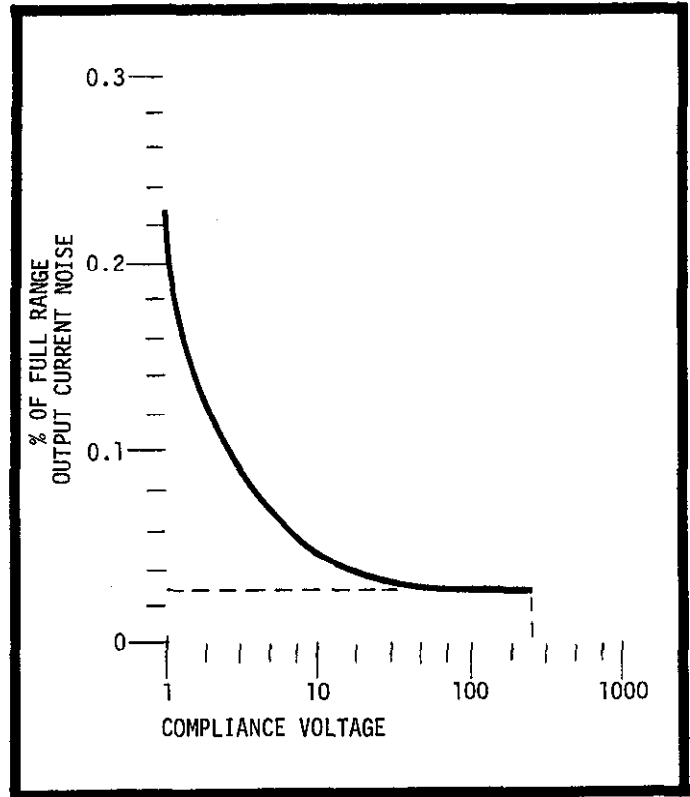


FIGURE 16. Output Noise Versus Compliance Voltage.

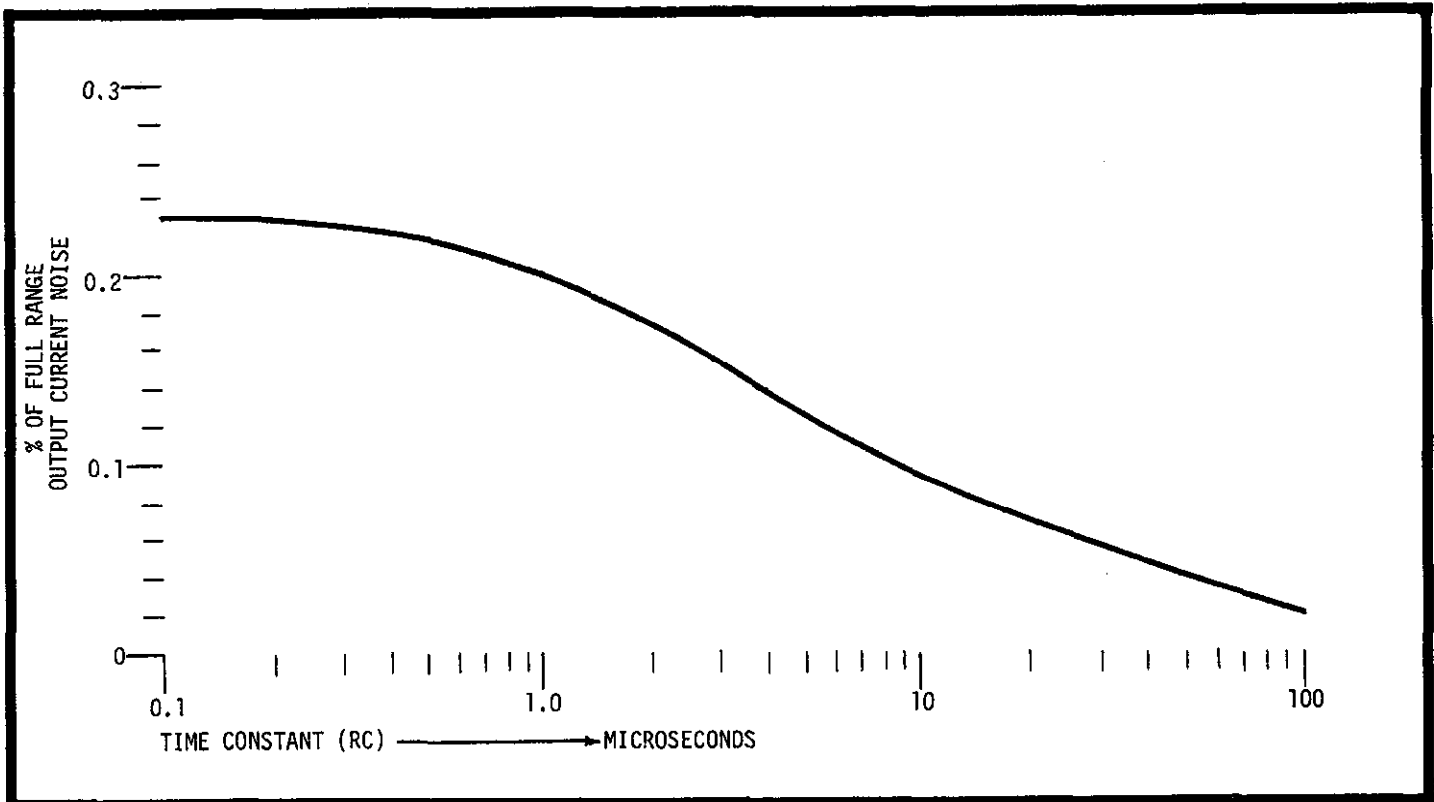


FIGURE 17. Output Noise Versus RC Time Constant of External Load.



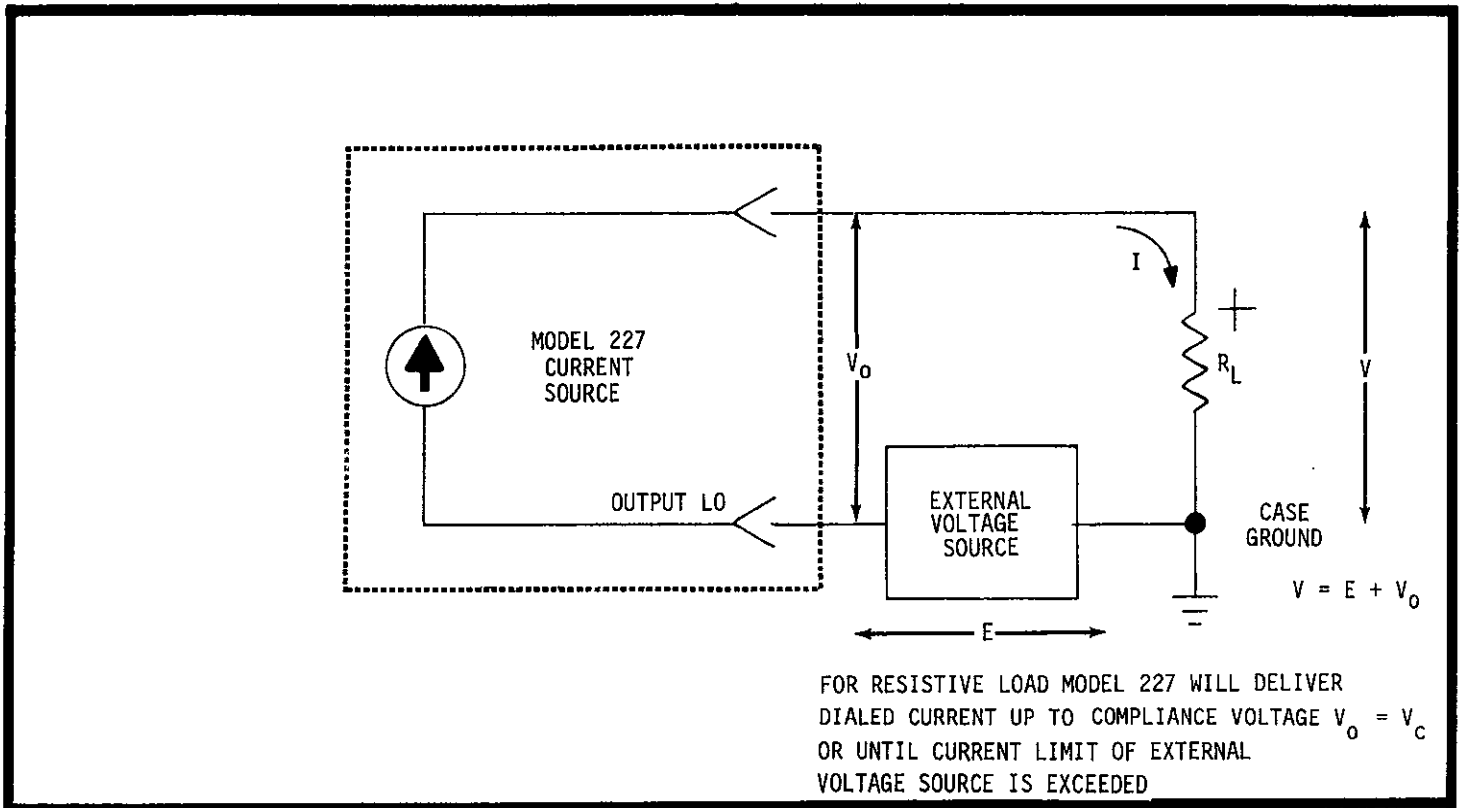


FIGURE 18. Connections for Floating Operation.

3-6. HOW TO FLOAT THE MODEL 227. The Model 227 can be floated up to  $\pm 500$  volts off chassis ground with less than 5ppm of full range change in output current per volt off ground. For floating operation, the front panel FLOAT/GROUND Switch must be set to FLOAT. A filter capacitor C112 (.02mfd) is connected between the low and ground banana posts to minimize line frequency pickup. The low to ground isolation is approximately  $10^7$  ohms. See note.

a. Extended Compliance Voltage. A typical example of floating operation is shown in Figure 18. In this example, the Model 227 can be used with a voltage supply such as Keithley Model 240A to extend the maximum compliance voltage to 800 volts. The Model 227 then can be adjusted for a compliance voltage of +200V to

+800V or -200V to -800V. Since the maximum current output of the Model 240A is 20 milliamperes, the dialed current on the Model 227 should not exceed this maximum.

b. Precautions when Using an External Voltage Source. When an external voltage source is connected in series with the Model 227 output, care should be taken to observe the power limits shown in Figures 14a and 14b when sinking current. For example, if the external voltage source is capable of delivering 60 milliamperes at 300 volts (or 700mA at 50V), a shorted load could cause the Model 227 to sink current causing excessive power dissipation and possible damage to the Model 227.

## NOTE

On some models a shorting link is provided to connect LO and CASE. On models presently manufactured, banana type terminals are used instead of binding post type and the shorting link is no longer used. A front panel FLOAT/GROUND Switch has been added to permit a connection between LO and CASE for grounded applications.

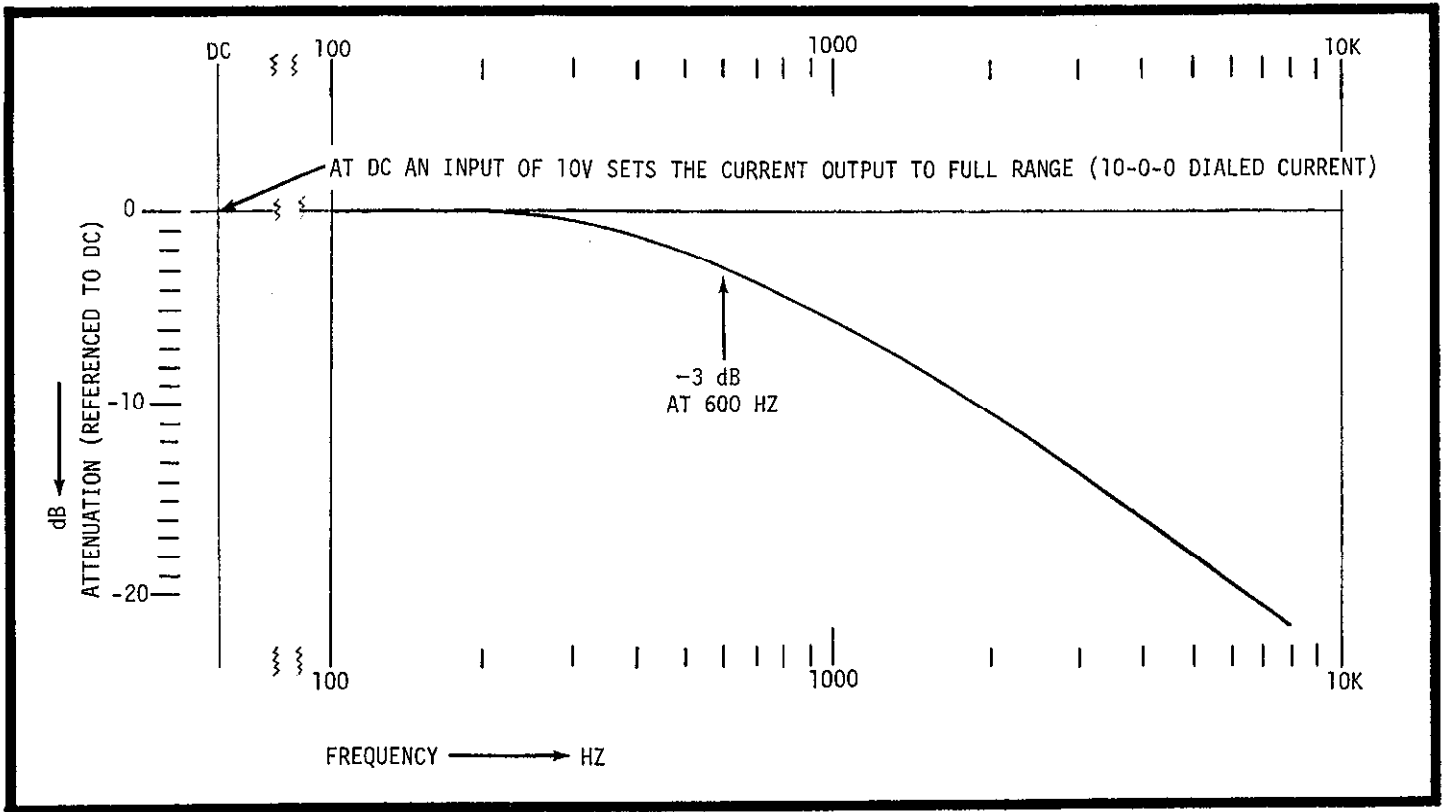


FIGURE 19. Frequency Response for Voltage Programming

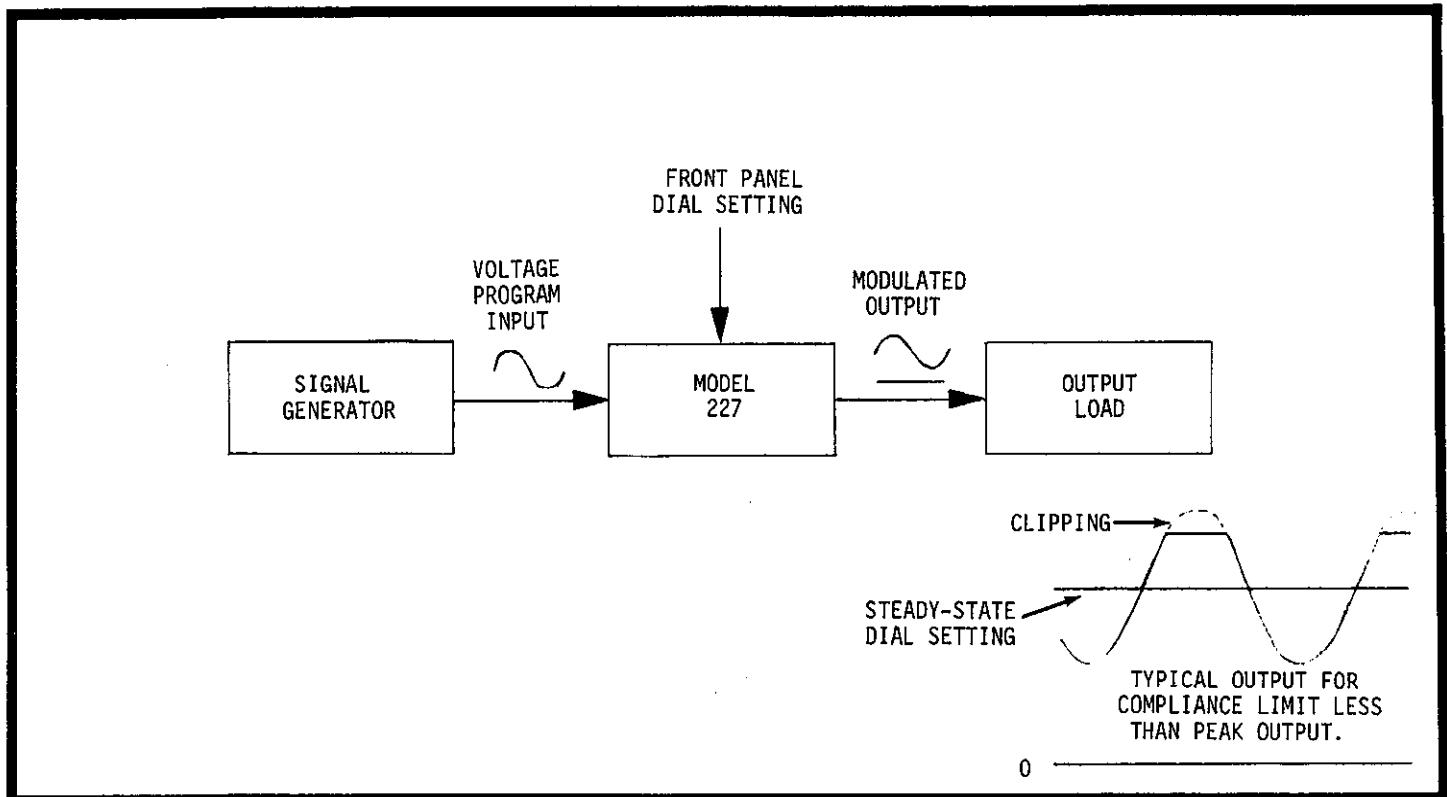


FIGURE 20. Use of Voltage Program Input to Modulate Current.

3-7. HOW TO USE VOLTAGE PROGRAM INPUT. The Model 227 provides a voltage program input (standard) for applications requiring remote current control, or use as a bipolar constant-current amplifier or ac modulated constant-current source. The transfer function for voltage programming is  $\pm 10$  volts dc for  $\pm$  full range output. The output current is a sum of voltage programming input and front panel dial settings. Range can be set by the front panel control or the optional Model 227L. The input to the Voltage Programming terminals must be isolated from output load by greater than  $10^6$  ohms.

## NOTE

Voltage programming is also possible in the REMOTE PROGRAM mode. When used in combination with resistance programming, the resultant output is the sum of resistance and voltage programming.

## NOTE

Maximum input to voltage program input is  $\pm 15$ V. If an input greater than  $\pm 15$  volt is applied accidentally, the Model 227 output current is internally limited so as not to exceed approximately 180% of full range. Recovery is automatic when the overvoltage is removed.

a. How to Voltage Program or Use as a Bipolar Amplifier. The Voltage Program input is dc-coupled with a bandwidth ( $-3$ dB) to 600 Hz minimum. Input resistance is 10 kilohm. An input of  $\pm 10$ V (at dc) sets the output current to  $\pm$  full range or 10-0-0 dial setting. The transfer function accuracy and offset error can be expressed by the following equation:

$$\% \text{ error (full range)} = \pm(0.5\% \frac{V_{in}}{10} + 0.1\%)$$

The input floats at the output HI voltage and must be isolated by greater than  $10^6$  ohms. Since Voltage Program input may be floating at up to 300 volts, the signal generator (or dc voltage source) must float at this potential. Figure 19 shows a typical frequency response for the Voltage Program input.

b. How to Use as an AC Modulated Constant-Current Source. The Voltage Program input can also be used in conjunction with the front panel dial settings to provide modulated current outputs.

1. Set the current output (dc level) as described in Section 3-3.
2. Connect Signal Generator to Voltage Program input.
3. Apply modulation signal from Signal Generator.
4. Adjust the % modulation as desired by monitoring the Model 227 output using an ac coupled oscilloscope. Figure 20 shows a typical modulated current output.

## NOTE

The Model 227 Compliance Control may be adjusted to suit the measurement. However, if the modulated signal causes the output to exceed the Compliance Limit, then the Model 227 output will be clipped.

TABLE 3-5.  
Specifications for Model 227L Programming Option.

Calibrated at $25^{\circ}\text{C} \pm 3^{\circ}\text{C}$	
RANGE SELECT: Closure* on one of four lines selects range.	Compliance Limit Set: Resistance programmed, non-linear transfer function, $0\Omega$ yields high end of span, $25k\Omega$ yields approximately mid span, open circuit yields low end. Resistance must be isolated and shielded.
CURRENT SET: Voltage Programming: Standard feature of Model 227. See specifications of 227.	Flag (Output): Logic "0" ( $\leq 0.4$ V drop while sinking 16mA to external power supply Lo) appears when 227 is in compliance limit. Logic "1" ( $\geq 2.4$ V at up to $400\mu\text{A}$ referenced to supply Lo) appears when 227 is not in compliance limit.
Resistance Programming: Transfer function: 10% of full range per kilohm ( $\pm 0.5\%$ ). Zero at approximately 11 kilohms. Stability: adds $\pm(0.01\%$ of setting + $0.01\%$ of range)/ $^{\circ}\text{C}$ to Model 227 specification. Resistance must be isolated and shielded.	REQUIRED CONTROL LEVELS: *CLOSURE $\equiv$ Closure to external power supply LO with in 0.5 volt while sinking 50mA (range-select for 1-ampere range requires sinking 100mA). OPEN $\equiv$ $> 2$ kilohms referenced to external power supply Lo.
COMPLIANCE LIMIT: External Operate: Closure* enables external control of both span and limit. Open enables 227 front-panel control.	EXTERNAL POWER SUPPLY: Requires external power supply of 5 to 6 volts @ 200mA.
Span Select: Closure* enables compliance limit to be set from 10 to 300 volts, open makes span 4 to 50 volts.	CONNECTOR: DAM-15S type mounts on 227 rear panel.
	ACCESSORIES SUPPLIED: Mating connector.

TABLE 3-6.  
Pin Out for Model 2271 Programming Option.

Pin No.	Functional Description	Level
1	Compliance Setting	RESISTANCE PROGRAM - COMP
2	Current Setting	RESISTANCE PROGRAM - CURRENT
3	Remote Program Low	0V, GUARD
4	+5 Volts Power Supply Input	+5V INPUT
5	Compliance Limit Monitor	LIMIT = LOW
6	10mA Range Set	10mA = LOW
7	1000mA Range Set	1000mA = LOW
8	Compliance Limit	REMOTE COMPLIANCE = LOW
9	Compliance Setting	RESISTANCE PROGRAM - COMP
10	Current Setting	RESISTANCE PROGRAM - CURRENT
11	Remote Program Low	0V, GUARD
12	+5 Volt Common	COMMON
13	1000µA Range Set	1000µA = LOW
14	100mA Range Set	100mA = LOW
15	300V Compliance Set	300V = LOW

3-8. HOW TO USE THE MODEL 2271 PROGRAMMING OPTION.

a. How to Make Connections. When the Model 2271 is installed, a 15-pin connector is furnished on the rear panel as shown in Figure 21. A summary of pin locations is given in Table 3-6.

b. How to Program.

1. Auxiliary +5V Power Supply. The user must furnish an external power supply. The supply must be capable of energizing a relay coil with a nominal 3.9V pull-in voltage (at 20°C). (Temperature coefficient is approximately 0.0133V/°C up to 50°C.) An additional 0.2 volt (1Ω at 200mA) drop should be allowed for wiring plus up to 0.5 volt drop for closure to ground (when the relay coil is energized). As a result, a nominal +5V to +6V power supply should be used depending on the individual measurement circumstances (such as ambient temperature etc.). The external 5 volt supply must be connected between J401 pins 4 (+) and 12 (common).

2. How to Program Compliance.

- a). Set front panel compliance to minimum.
- b). Determine the required compliance range, either 50V or 300V. If 300V maximum compliance is desired, connect pin 15 to common (pin 12). If 50V maximum compliance is desired, leave pin 15 unconnected.
- c). Determine magnitude of compliance desired and select appropriate resistance from either of the following relationships:

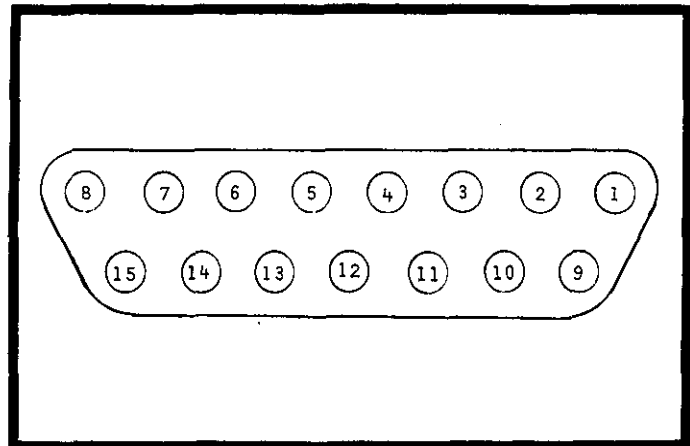


FIGURE 21. Rear Panel Remote Programming Connector.

For the 300V Compliance Range:

$$R_{com} (k\Omega) = \frac{7.4 \times 10^3 - 24.3 E_{com}}{E_{com} - 3.37}$$

For the 50V Compliance Range:

$$R_{com} (k\Omega) = \frac{1.24 \times 10^3 - 24.3 E_{com}}{E_{com} - .56}$$

where  $R_{com}$  is the programming resistor and  $E_{com}$  is the compliance limit voltage.

- d). After the resistance is connected between pins 1 and 9, then connect pin 8 to common to enable the remote compliance control.

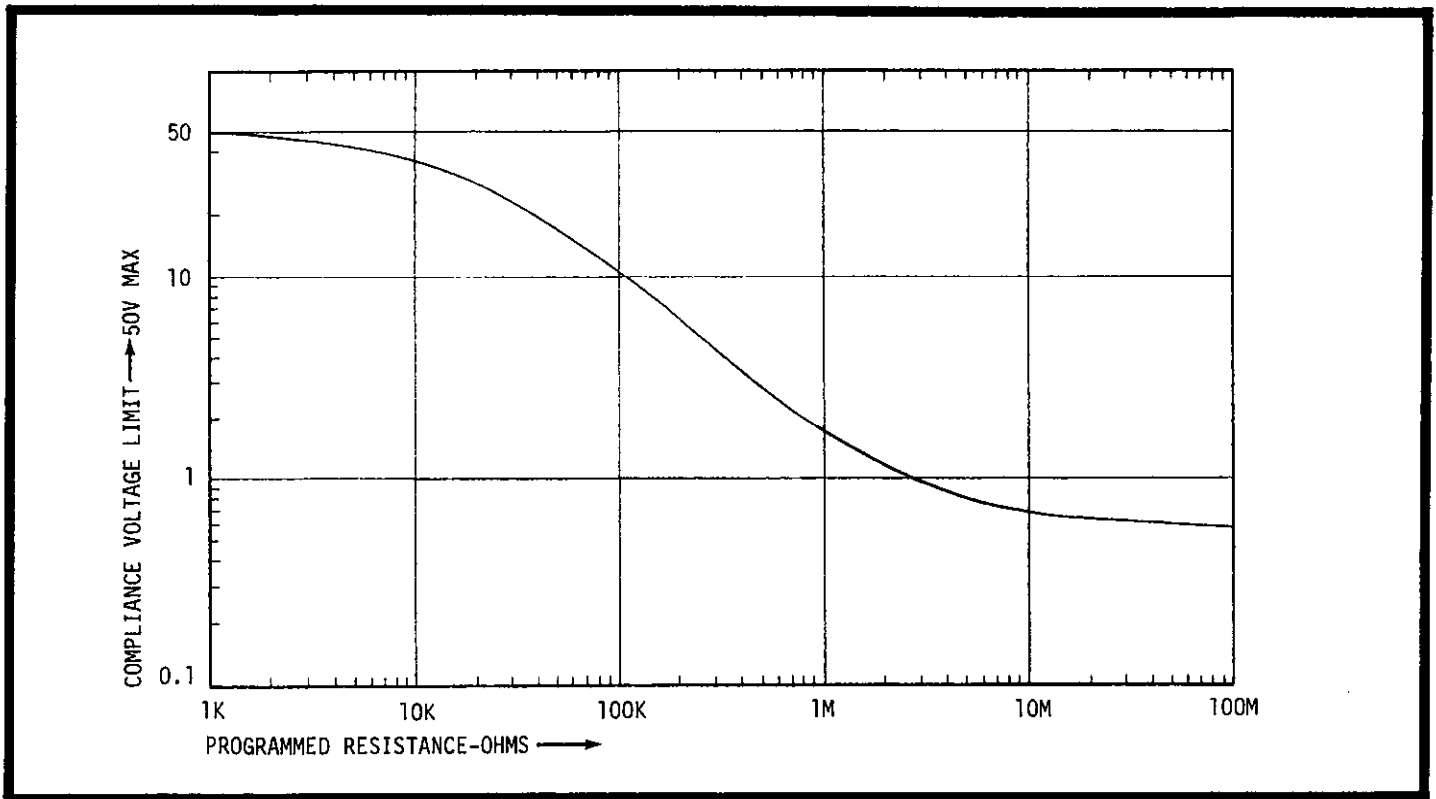


FIGURE 22. Compliance Programming up to 50V.

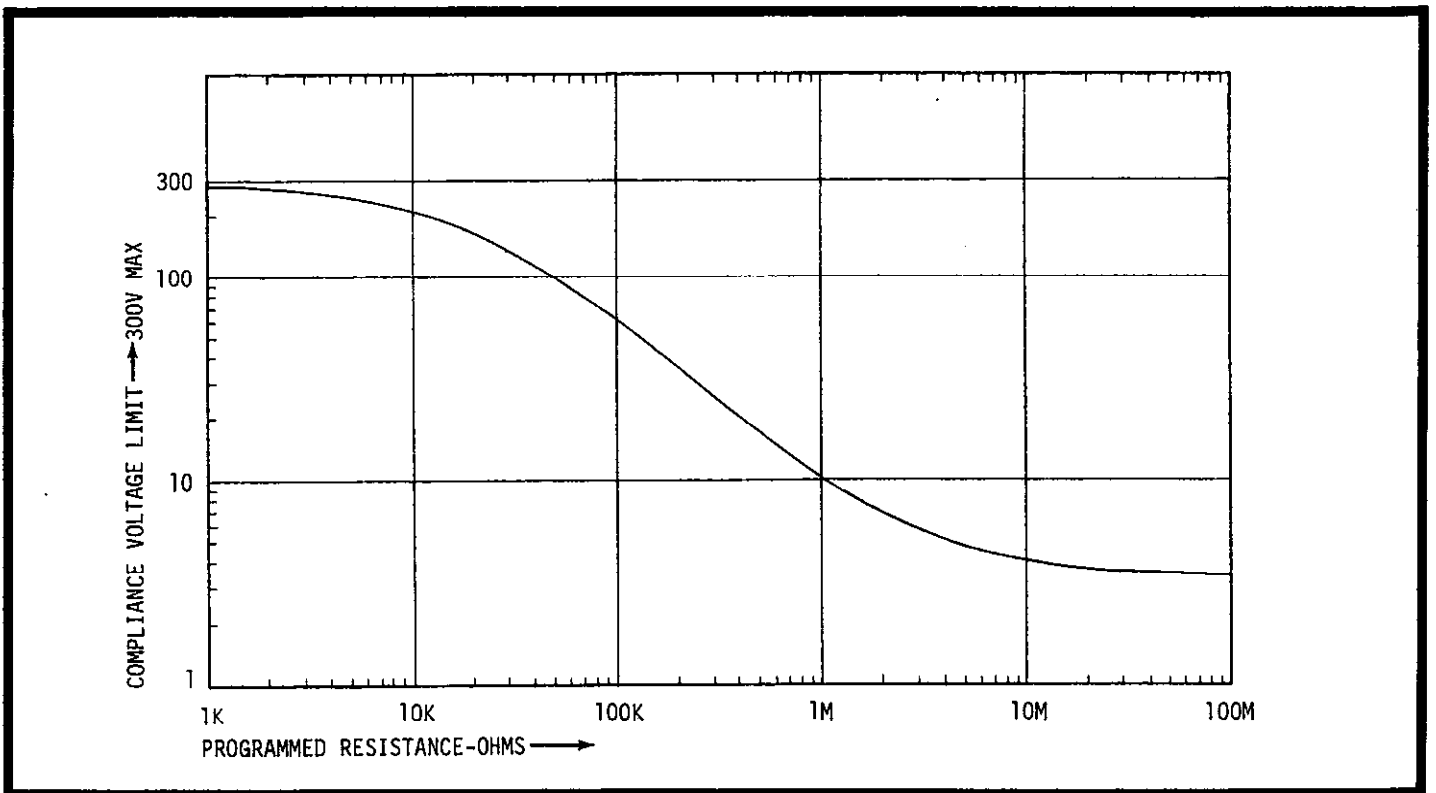


FIGURE 23. Compliance Programming up to 300V.

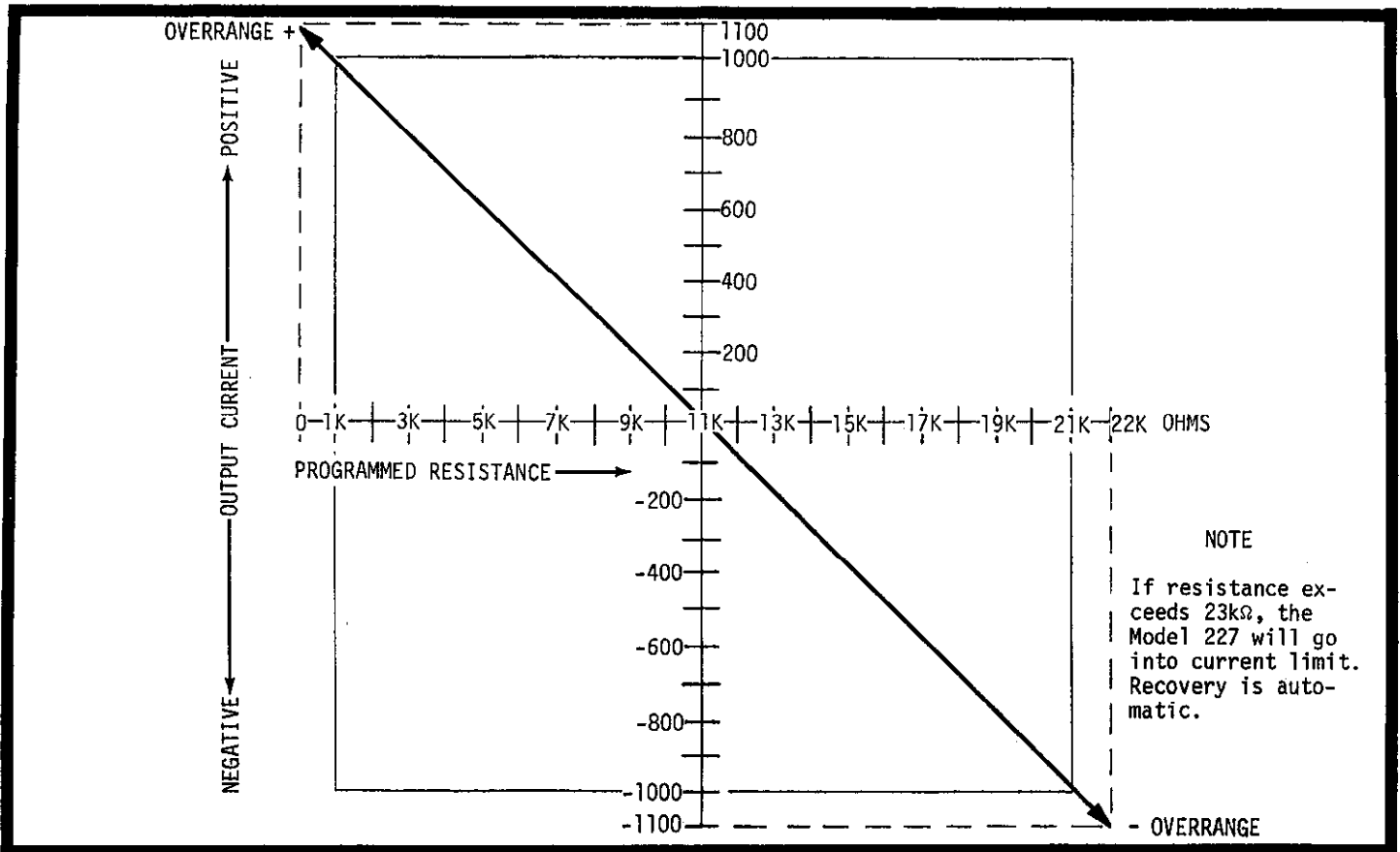


FIGURE 24. Resistance Programming of Current.

**IMPORTANT**

If pin 8 on the Remote Program connector is not grounded, then the maximum compliance limit will be determined by the front panel Range Switch setting. For example, if the Range Switch is set to 10 milliamperes and the current range is set remotely on the 10 milliamperes range (pin 6 grounded), then the maximum compliance voltage would be approximately 300 volts. However, if the current range is set remotely on the 1000 milliamperes range (pin 7 grounded), then the maximum compliance voltage would be approximately 90 volts rather than the 50 volts given in the specifications. As a result, the current output would not have guaranteed regulation for compliance voltages between 50 and 90 volts on the 1000 milliamperes range.

**NOTE**

When in external compliance (pin 8 = common), it is possible to select 300V maximum on the 1 amp range which will result in compliance voltages up to 90V. Above 50V compliance voltage, the Model 227 may have excess noise and poor stability, and for this reason, the 50V maximum compliance should be selected when on 1000mA range.

**3. How to Use Compliance Limit Monitor.** This output allows the user to monitor whether or not the Model 227 is in voltage limit mode. When the compliance limit is reached, the front panel LIMIT lamp will turn on and pin 5 on J401 will be in low state. When LIMIT is "ON", pin 5 will sink up to 16mA with no more than 0.4V drop. When the LIMIT is "OFF", the high state depends on the voltage level of the user-furnished 5V power source (greater than 2.4V).

**4. How to Program the Current Control (Resistance Programming).** The magnitude of the current output is a function of the resistance connected between pins 2 and 10 on J401. The transfer function is given by the following equation:

$$I_o = (1.1 - R_p \times 10^{-4}) \times \text{Full Range}$$

where  $R_p$  = resistance in ohms  
 $I_o$  = current in same units as range.

$$\text{also } R = (1.1 - \frac{I_o}{\text{Full Range Current}}) \times 10^4$$

**NOTE**

Set Polarity switch to "+" to assure rated accuracy. Output accuracy for resistance programming can be expressed as a % of full range output as follows:

$$\% \text{ accuracy (full range)} = \pm(0.5\% [\frac{R_p - 11}{10}] + 0.12\%)$$

where  $R_p$  = resistance in kilohms ( $10^3\Omega$ ).

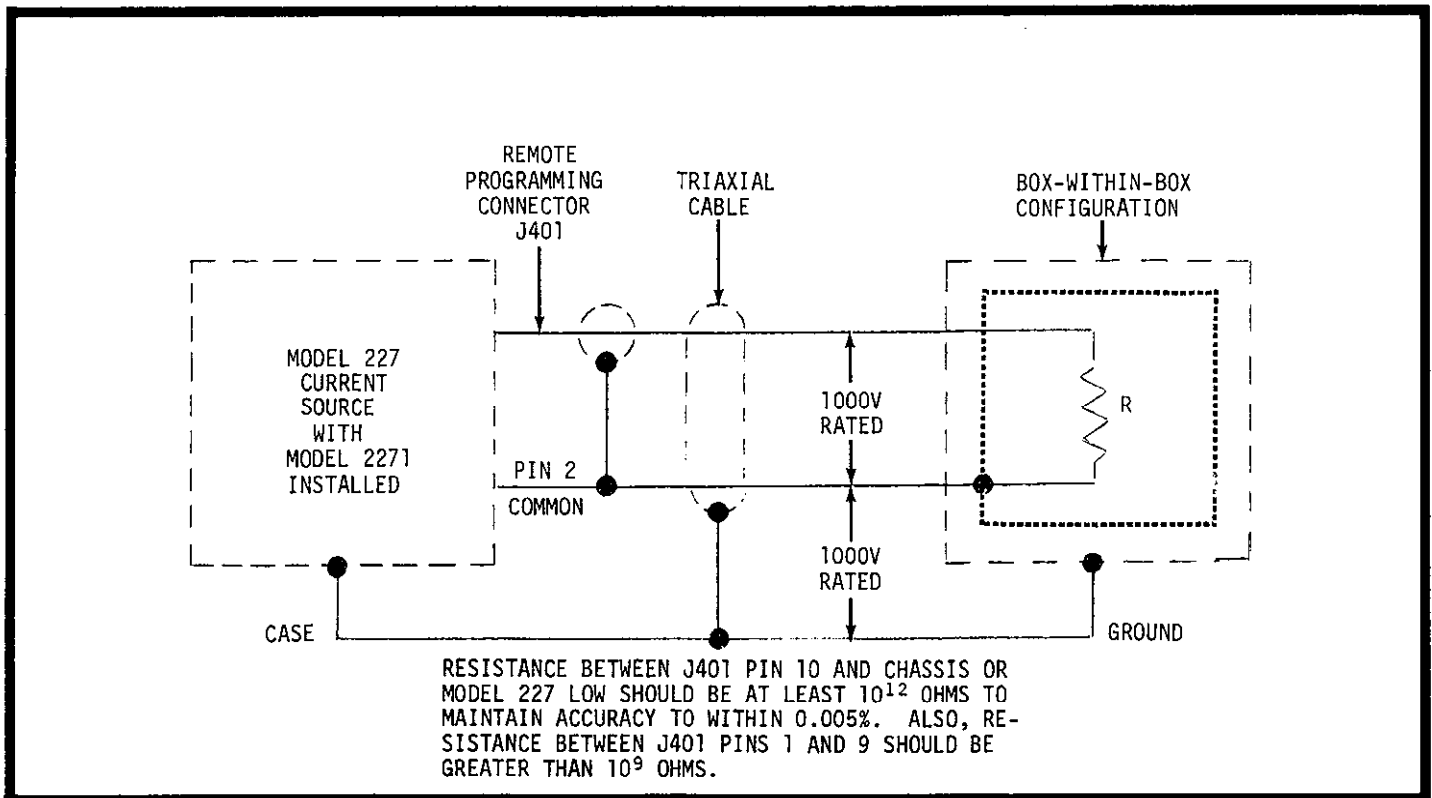


FIGURE 25. Preferred Cabling Techniques.

For example, for full range output  $R_p = 21k\Omega$ , and % accuracy equals the following:

$$\% \text{ accuracy} = \pm(0.5\% \left[ \frac{21 - 11}{10} \right] + 0.12\%) = \pm 0.62\% \text{ (of full range)}$$

5. How to Program Range. Range can be set to any of the four ranges by grounding the appropriate line as shown in Table 3-7. To use the Model 2271, set the Range switch to REMOTE PROGRAM.

TABLE 3-7. Remote Range Selection.

Range Desired	Condition of Lines			
	Pin 6	Pin 7	Pin 13	Pin 14
1 mA	OPEN	OPEN	GND	OPEN
10 mA	GND	OPEN	OPEN	OPEN
100 mA	OPEN	OPEN	OPEN	GND
1000 mA	OPEN	GND	OPEN	OPEN

NOTE

When range changing, if all four pins are open simultaneously, the Model 227 will not have a current output (output terminals are open). To avoid relay arcing either program the current back to zero or make-before-break the connections to the range lines when changing range. If more than one pin is closed, the higher current range is enabled. For example, if all four pins are closed to ground, the 1000mA range is selected. Typical pull-in time for all relays is 30 milliseconds. Typical release time is 10 milliseconds.

NOTE

The temperature coefficient of the Model 2271 adds  $\pm(0.01\%$  of setting/ $^{\circ}\text{C}$  +  $0.01\%$  of range/ $^{\circ}\text{C}$ ) to the Model 227 Specifications. Thus the total Model 227/2271 coefficient could be expressed as  $\pm(\pm 0.015\%$  of setting/ $^{\circ}\text{C}$  +  $0.015\%$  of range/ $^{\circ}\text{C}$ ). For remote programming, the temperature coefficient can be expressed as follows:

$$\%T.C. \text{ (full range)} = \pm(0.015 \left[ \frac{R_p - 11}{10} \right] + 0.015)/^{\circ}\text{C}.$$

For example, at a full range setting, the t.c. =  $\pm 0.03\%/^{\circ}\text{C}$ .

6. Preferred Cabling Techniques. Since the Model 227 could be affected by excessive cable capacity, a triaxial cable (shield within a shield) should be used with the inner shield connected to pin 2 on J401, and the outer shield connected to CASE. Insulation between shields should be rated at 1000 volts especially for floating applications. Box-within-a-box construction should be used for all circuitry used in resistance programming.

NOTE

The maximum allowable capacitance between J401 pins 1 or 10 and chassis is 300pF unless compensating capacitance  $C_p$  is installed across the current programming resistor  $R_p$  as follows:

$$C_p = \left[ \frac{R_L}{R_p} C - 1 \times 10^{-7} \right] \text{ where } R_L = \text{load resistance}$$

## SECTION 4. ACCESSORIES

## Model 1008 Single Rack Mounting Kit.

Applications: The Model 1008 adapts Keithley Style "N" instruments for 5-1/4 in. x 19 in. mounting with 11 in. depth behind front panel. The kit is also useable with 14 in. depth instruments.

## Parts List:

Item No.	Description	Qty.	Keithley Part No.
1	Half Rack Panel	1	25815B
2	Bracket Angle	1	26757C
3	Bracket Angle	1	26794C
4	Phillips Screws (5/8")	6	#8-32
5	Phillips Screws (1/2")	4	#6-32
6	Socket Screws (3/8")	2	#10-32
7	Phillips Screws (5/8")	4	#6-32
8	Keyp Nut, #6-32	4	#6-32

## Assembly Instructions:

1. Secure Half Rack Panel (Item 1) to Bracket Angle (Item 2) using two socket screws (Item 6).
2. Remove Side Dress Panels (left and right) from instrument.
3. Secure Bracket Angles (left and right) to instrument. (Half Rack Panel may be located on the left or right to suit mounting requirements.) Use Phillips Screws (Items 4 and 5) as shown in Figure 26 for 14 in. depth instruments. Use longer screw (Item 7) and Keyp nut (Item 8) for 11 in. depth instruments.

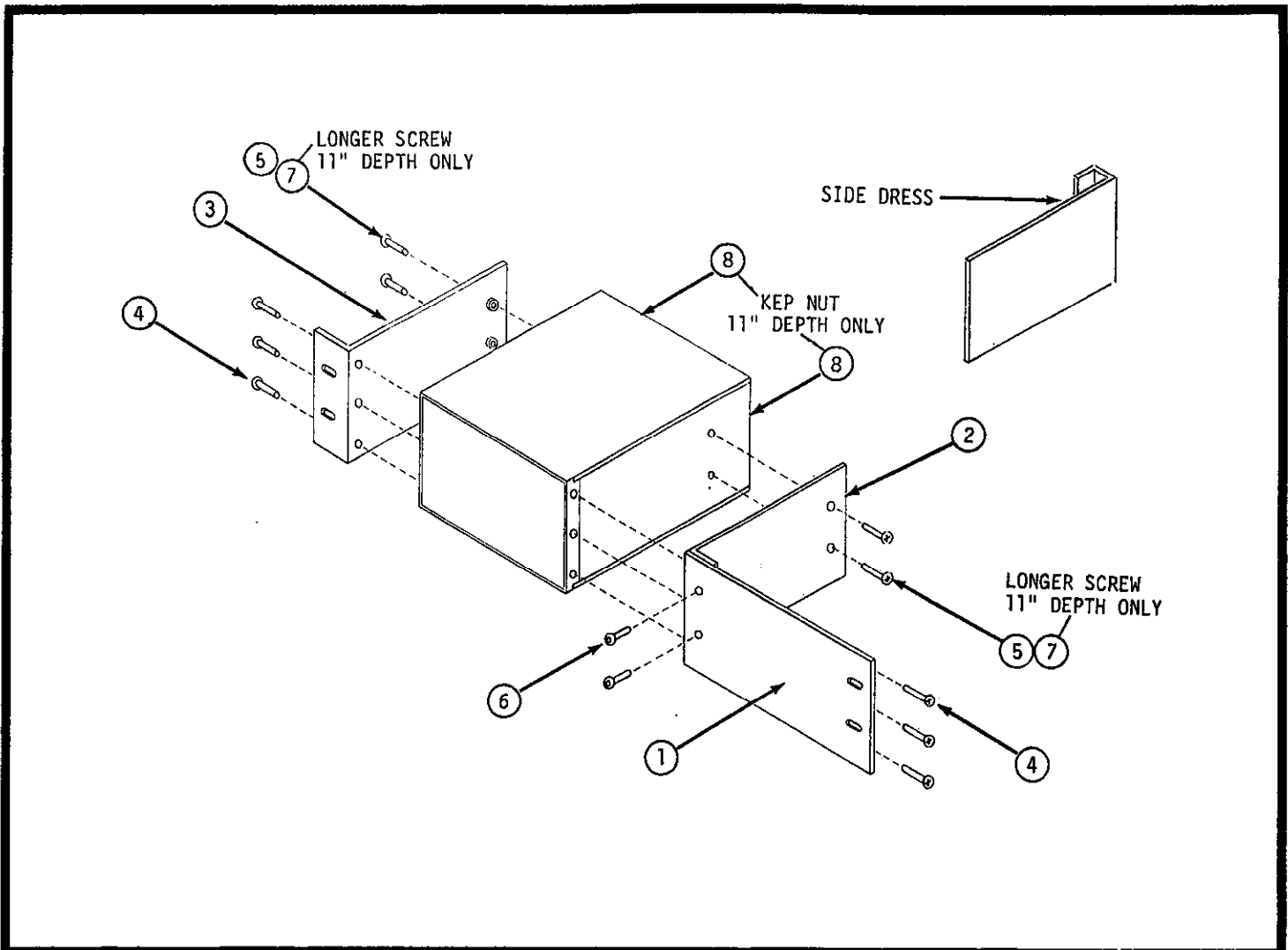


FIGURE 26. Model 1008 Single Rack Mounting Kit.



## SECTION 5. THEORY OF OPERATION

5-1. GENERAL. This section contains information to describe the Model 227 and Model 2271 circuit operation.

### 5-2. CURRENT SOURCE CIRCUITRY.

#### a. Basic Power Supplies. (See schematic 26227D.)

1. Transformer Connections. Line power is applied to the Model 227 via a 3-wire line cord (P306). Power switch S301 disconnects one side of line. Fuse F301 protects the Model 227 from over-current. Line switches S302 and S303 connect to tapped, primary windings on transformer T301 to suit the line voltage available. (See Specifications.)

2. Fan Connections. The fan (B301) is connected to T301 primary windings ORN and BLK. The connection is made such that a nominal 117 volts is always applied to the fan. When the Model 227 is set for "LO" line operation (90 to 110 volts), transformer T301 steps up the voltage (auto-transformer action) to a nominal 117 volts.

#### 3. Low Voltage Supplies.

a).  $\pm 12V$  (VS Supply). This supply is powered by center-tapped secondary windings (GRN - YEL/GRN-GRN). Diodes CR306 and CR307 provide a full-wave rectified voltage of approximately 30 volts. Integrated circuit U302 is a series-regulator which provides an output of +12 volts referenced to "OVS". Resistors R313 and R314 form a voltage divider. Integrated circuit U304 is a unity-gain amplifier which regulates "OVS" with respect to -12 volts (-12VS). Output transistors Q306 to Q310 increase the current drive capability of U304.

b).  $\pm 12V$  (VD Supply). This supply is powered by secondary windings YEL-YEL. The secondary voltage is half-wave rectified by diode CR305. Integrated circuit U301 is a series-regulator which provides an output of +12 volts referenced to "OVD". Amplifier U303 provides similarly to U302 as described in paragraph a) above.

4. High Voltage Supplies. These supplies include an unregulated 86 volt supply and an unregulated 340 volt supply which is "piggy-backed" on the 86 volt supply which when regulated together, give a net output of approximately 325 volts.

a). +86 Volt Supply. This supply is powered by secondary windings BLU-BLU. The secondary voltage is full-wave rectified by diode CR304.

b). +325 Volt Supply. This supply is powered by secondary windings RED-RED and BLU-BLU. The secondary voltage is full-wave rectified by diode bridge CR302. Divider network (R305, R306, and R307) senses the +325 output and compares it to the zener diode reference (CR303, R309). The error voltage developed by differential amplifier Q304 and Q305 is applied to driver transistor Q301 and output transistor Q302. Resistor R304 is used to sense the current output of the 325V supply. The voltage developed across R304 is applied to Q303 via divider R301 and R310. If the output current of the 325V supply increases beyond approximately 180mA, transistor Q303 conducts and turns off transistor Q301. Hence, the output voltage of Q302 is decreased, causing a fold-back current limiting action. When fold-back occurs, the current is reduced to approximately 30 to 40mA at an output of approximately 86 volts. If over-current is present for greater than 1.5 milliseconds, full fold-back occurs. In normal operation, the Model 227 should not experience an over-current condition beyond 500 microseconds, so that recovery is automatic. A temporary overload condition can occur when the Model 227 output is shorted (either by use of OUTPUT SELECTOR switch or direct connection at the output terminals).

c). Thermal Breaker. This thermal circuit-breaker (TK301) protects the Model 227 in the event of excessive temperature rise. The breaker is designed to open at approximately 185°F.

b. Reference Amplifier Circuitry. The output of this circuitry provides a stable  $\pm 1V$  reference voltage for the current source regulator. Integrated circuits U102 and U103 are summing amplifiers. The zener reference (CR110) is switched by Polarity Switch S105 to provide either  $\pm 6.2V$  at the input of U103 (via resistors R148, R128, and R129). Feedback resistors R150, R114, R115, R116, R130, R125, R126, and R127 are selected by use of Decade Switches S102 and S103. The output of U103 is varied from 0V to  $\pm 4V$  (where 4V = full range [10-0-0 dial setting]). Potentiometer R129 is a calibration adjustment which adjusts the gain of U103. The output of U103 is applied to U102 through summing resistor R121. (Voltage programming is summed through R122 and R123. Capacitor C106 filters the voltage programming input to prevent slew-rate limiting.) The gain of U102 is set by resistors R121 and R119 to provide a net gain of 0.25 or an output of 1 volt for full range (10-0-0).

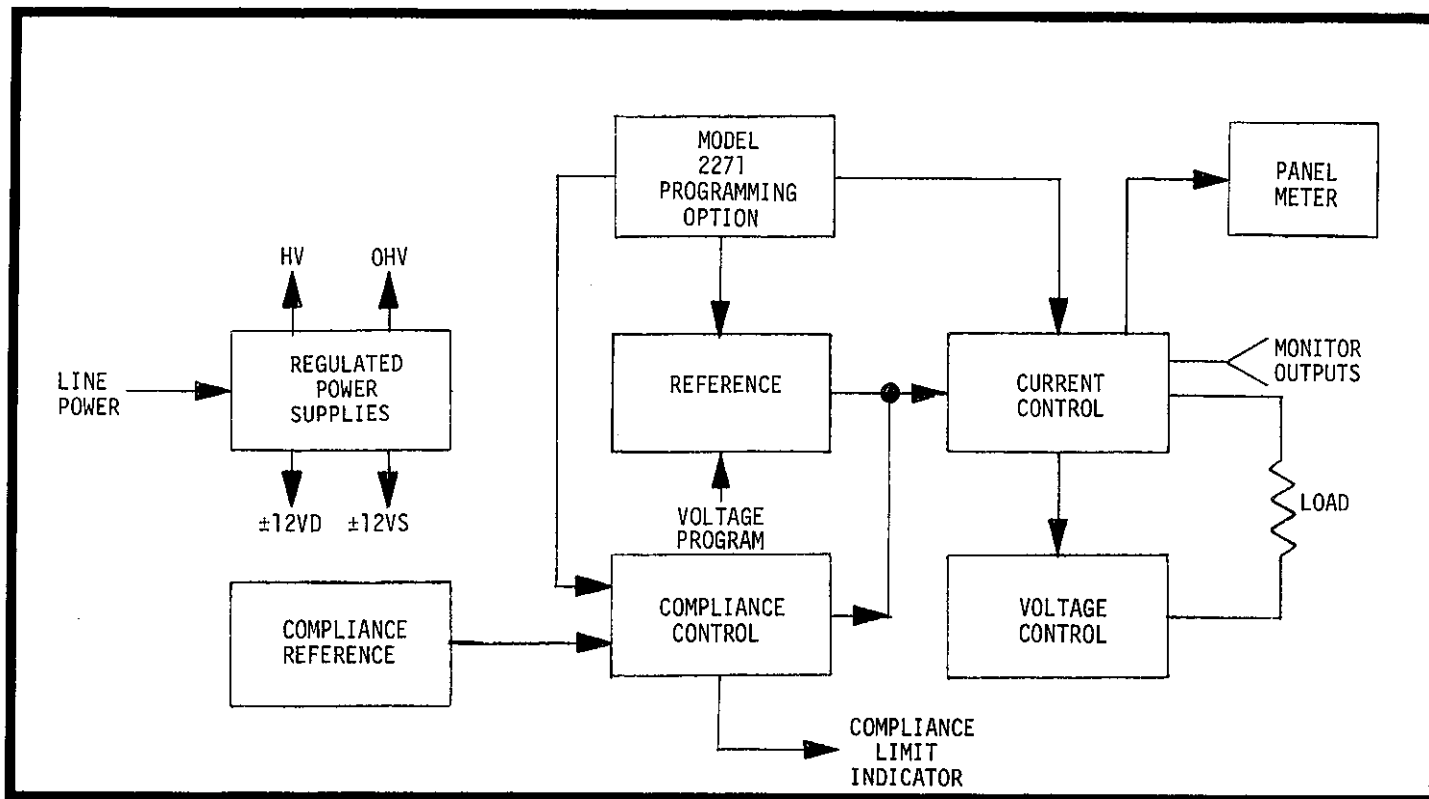


FIGURE 27. Overall Block Diagram of Model 227.

c. Bridge Current Source. This circuit is a bridge-configuration regulator. Integrated circuit U205 and associated circuitry maintains the current output to the dialed setting. The output current is regulated by comparing the voltage drop across the range resistor (R215, R216, R215, and R218) to the reference amplifier output (U102, pin 6). Any difference voltage causes an output at U205 pin 6 which drives output stages Q201 through Q208. A positive output current flows out of the HI terminal, through the load, and into a unity gain inverting amplifier made up of U206 and output stage composed of Q209 and Q212. The action of the bridge output causes the voltage across the load to be split evenly between the current source and the unity gain inverting amplifier. This configuration permits a voltage swing from +300 volts to -300 volts, using a single 300 volt supply.

d. Compliance Control Circuitry. This circuitry controls the maximum compliance voltage which can be developed on a given range.

1. Compliance Reference. Transistor Q101 and zener diode CR101 form a reference source which provides a constant-current through potentiometer R101, the front panel VOLTAGE COMPLIANCE control. The voltage developed across R101 is 9.12V on 1000 $\mu$ A, 10mA, and 100mA ranges; and 1.64V on 1000mA range.

2. Compliance Limit Circuitry. The reference voltage is applied to integrated circuit U201, a unity-gain; non-inverting amplifier. The output of U201 drives U202, an inverting, summing amplifier. The outputs of U201 and U202 are equal and opposite polarity. These outputs are applied to U203 and U204, differential transconductance amplifiers. (Differential transconductance amplifiers provide an output current proportional to the difference voltage at the input.) The reference voltage is compared at the transconductance amplifier inputs to divider outputs (R201, R202, R207, and R208) which sense the voltage across the Model 227 output terminals. When the output voltage of the Model 227 reaches the Compliance Voltage Limit (pre-set on the front panel or via the Model 227), any further increase in voltage causes the transconductance amplifiers to "sink" or "source" current through R117 and R213 via gating diodes CR111 (6-11, and 16-1), thus cancelling out the voltage applied to U205. The COMPLIANCE LIMIT Indicator DS104 is controlled by U101E and U101B. When both U101C and Q102 turn off (for limiting condition), the action causes the COMPLIANCE LIMIT Indicator to be lighted.

e. Miscellaneous Circuitry.

1. Decimal Point Indicators. Indicators DS101, DS102, and DS103 are driven as part of the differential amplifier (U101A, U101B) from the "-12VS" and are selected by contacts on Range Switch S101.

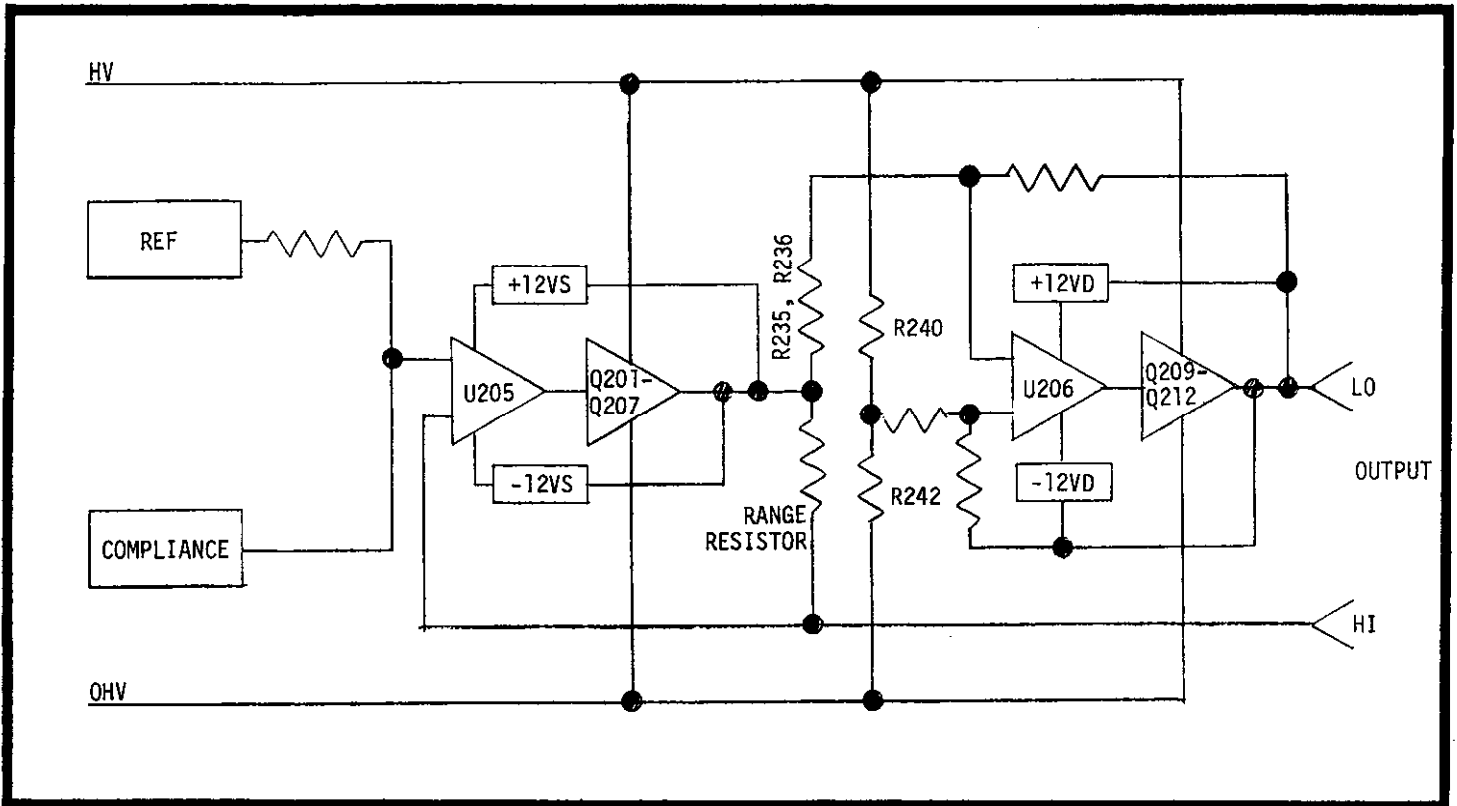


FIGURE 28. Simplified Diagram of Current Source.

2. Output Selector Switch (S104). This switch disconnects the output terminals from the current source. See Operating Instructions, Section 3 for a discussion of switching.

3. Volts Monitor Circuit. This output is provided by integrated circuit U104, a unity-gain, non-inverting amplifier. This circuit buffers the voltage developed at the output so that no loading error can result at HI and LO output terminals. The output of Volts Monitor is the same potential as Output HI and LO (up to 305 volts). Since R143 and R144 provide source resistance of 10 kilohms, loading of Volts Monitor should be taken in consideration.

4. Current Monitor Circuit. This output provides -1 volt ( $V_{cm}$ ) for a + full range (10-0-0). Fuse F101 protects this output against accidental short circuits. This voltage is developed between the buffered output of U104 and "OVSR".

5. Meter Circuit. Meter M101 is driven from the output of U104.

a). Voltage Reading. When switch S106 is set to "V", the meter is connected between U104 output and output LO. The meter movement is for full range reading. When Switch S107 is set to X1, the current developed through M101 is a function of R133, R145, R146, R147, and  $R_M$ , where:

$$I_M \approx V_{OUT} \div (R133 + R_M + \frac{(R145 + R146) R147}{R145 + R146 + R147})$$

When switch S107 is set to X10, the current developed through M101 is a function of R133, R149, R147, and  $R_M$ , where:

$$I_M = V_{OUT} \div (R_M + R133 + R147 + R149)$$

b). Current Reading. When Switch S106 is set to "A", the meter is connected between U104 output and "OVS". When Switch S107 is set to X1, the current developed through M101 is a function of R133 and  $R_M$  where:

$$I_M + V_{CM} \div (R_M + R133)$$

When Switch S107 is set to X10, the current developed through M101 is a function of R133, R149, and  $R_M$  where:

$$I_M + V_{CM} \div (R_M + R133 + R149)$$

6. Power ON/OFF Transient Suppression Circuit. This circuit (located on board PC-396) minimizes the effect of power surge when power to the Model 227 is applied or removed.

5-3. PROGRAMMING OPTION (MODEL 2271).

a. Range Programming. Range selection is accomplished by energizing relays, (by closure to ground or through a saturated transistor). Relay coils K401, K402, K403, K404, and K405 are connected to the users external +5 volt supply (J401, pin 4). Closure to ground at J401 pins 6, 7, 13, or 14 energizes the relay coils. If the 1000mA range is selected, relay K405 transfers the output stage from 325 volt supply to 86 volt supply. The user +5 volt supply is switched by relay K408 which is energized when the range switch is set to REMOTE.

b. External Compliance. Closure to ground at J401, pin 8 enables external control. When energized relay K407 selects the External Compliance mode.

c. Compliance Span. Closure to ground at J401, pin 15 energizes relay K406. When energized, K406 sets the maximum compliance limit to 300 volts. Contacts K406A set the compliance reference voltage to 9.12 volts maximum. Contacts K406B change the supply voltage at the output stage from 86 volts to 325 volts.

d. Current Setting. (Resistance Programming). Integrated circuits U402 and U401 and zener diode CR409 form a 100 microampere reference current source. The current source drives the external programming resistor connected between J401, pins 2 and 10. The voltage across the programming resistor (at the output of U401, pin 6) is fed to summing amplifier U403 via resistor R426. Diode CR409 and summing resistors R411 and R412 form the reference voltage. As a result, the output of U403 is as follows:

$$V_o = (R_p \times 100\mu A) - 1.1 \text{ volts}$$

(See Section 3-8b4 for further discussion of this transfer function.) Clamping diodes DS401 and DS402 prevent the output of U403 from going to far negative and enable FET switch Q402 to turn full off. Transistors Q406, Q405, and Q407 are for overload protection. FET Switch Q402 is driven by both U406 and Q401. When the Model 227 is switched out of "REMOTE PROG", (Range Switch S101) transistor Q401 turns off. Transistor Q403 turns on, turning off FET Switch Q402, and as a result, disconnects the remote program reference voltage from the Model 227. If the reference voltage at pin 6 of U903 goes above approximately 1.2 volts, U406 turns on Q403 which turns off Q402 disabling the remote program reference to Model 227 causing the output to go to approximately zero.

e. Compliance Limit Programming. Integrated circuit U404 is a summing amplifier. Reference zener diode develops a current through summing resistors R405, R415, and R417 and program resistor (J401 pins 1 and 9). Diode CR414 is a protection device. When relay K406 is energized, the 9.1 volt reference voltage is selected by connecting the proper gain at U404.

f. Compliance Limit (FLAG). Transistor Q404 (NPN) is connected collector to emitter between J401 pins 5 and 12. When the Model 227 goes into compliance limit phototransistor U405 turns off, causing transistor Q404 to saturate (low state).

#### NOTE

Should it be necessary to remove the Model 2271 Option from the Model 227 chassis, connector J206A, furnished with each 227/2271 (shown on schematic 26226E) must be installed at P206. Connector J206A is a ten-pin Berg Connector with jumper wires between pins A and C; D and G.

## SECTION 6. MAINTENANCE

6-1. **GENERAL.** This section contains information necessary to maintain the instrument. Included are procedures for electrical Performance Checks, Calibration, Troubleshooting.

6-2. **REQUIRED TEST EQUIPMENT.** Recommended test equipment for checking and maintaining the instrument is given in Table 6-1. Test equipment other than recommended may be substituted if specifications equal or exceed the stated characteristics.

6-3. **PERFORMANCE VERIFICATION.** Use the following procedures to verify proper operation of the instrument. All measurements should be made at ambient temperature of approximately  $25^{\circ}\text{C} \pm 3^{\circ}\text{C}$  and relative humidity below 60%. If the instrument is out of specification at any point, perform a complete calibration as given in Paragraph 6-4. For each function that is checked, an additional uncertainty due to temperature coefficient should be considered if the ambient temperature is beyond the temperature range indicated above.

### a. Fuse Checks.

1. Check the line fuse (F301) on the rear panel. For nominal 117V line operation, use a 2.5A type 3AG Slo-Blo fuse. For 234V line operation, use a 1.25A type 3AG Slo-Blo fuse.

2. Check the internally installed protection fuse (F101). This fuse is located on circuit board PC-330 near the front panel. Remove the top cover to gain access to the circuit board.

### NOTE

If the Line Fuse (F301) is blown or missing, the Model 227 will be inoperable. If the protection fuse (F101) is blown or missing, the Model 227 will be operable, except the rear panel Current Monitor and Voltage Programming terminals.

b. **Line Voltage Setting.** Set the Line Switches (S302 and S303) in accord with paragraph 2-3 in Section 2.

### c. Preliminary Check.

1. Set OUTPUT SELECTOR switch to "SHORT".
2. Set Range Switch to 1000 $\mu$ A.
3. Set Decade Switches to 10-0-0.
4. Set Polarity Switch to "+".
5. Set METER Switches to "X10" and "A".
6. Set VOLTAGE COMPLIANCE to "0" (minimum).
7. Put External short on Model 227.
8. Set Power Switch to "ON".
9. Set OUTPUT SELECTOR to "ON".
10. Set VOLTAGE COMPLIANCE to 10V.
11. Observe Meter (M101) reading. Current reading should be (+) full range.
12. Set Polarity switch to "-".
13. Observe meter (M101) reading. Reading should be (-) full range.
14. Verify Meter readings for Range Settings of  $\pm 10$ ,  $\pm 100$ , and  $\pm 1000\text{mA}$ .
15. If all ranges are indicated correctly, proceed to normal verification procedure.

### IMPORTANT

The Model 227 will not operate properly if either J206B (Used on Model 2271) or J206A are missing. To order an extra connector for J206A, specify Keithley Part No. 27204A.

TABLE 6-1.  
Recommended Test Equipment for Performance Verification.

Item	Description	Minimum Specifications	Mfr.	Model
A	Digital Voltmeter	1.00000V $\pm(0.015\%$ of rng + 0.015% of rdg) >10 <sup>8</sup> $\Omega$ input $\Sigma$	Keithley	190
B	Resistance	100 $\Omega$ $\pm$ 0.01%, 0.12W 10ppm/ $^{\circ}$ C 1k $\Omega$ $\pm$ 0.02%, 0.12W 10ppm/ $^{\circ}$ C 10 $\Omega$ $\pm$ 0.02%, 1W 10ppm/ $^{\circ}$ C 1 $\Omega$ $\pm$ 0.02%, 10W 10ppm/ $^{\circ}$ C	Vishay Vishay	V53-100 V53-1K
C	Voltage Source	0 to $\pm 10\text{Vdc}$ 0.01% of setting $\pm$ 0.002% of range tc < 30ppm/ $^{\circ}$ C	Fluke	341B
D	Resistance Box	0 to 22k $\Omega$ $\pm$ 0.02%	GR	1433G

d. Dial Accuracy Verification.

1. Dial Accuracy (10-0-0).
  - a). Set Range to 10mA.
  - b). Set Decade Dials to 10-0-0\*.
  - c). Connect Resistance (B), 100Ω ± 0.01% to output of Model 227.
  - d). Connect DMM (A) across output of Model 227.
  - e). Set COMPLIANCE to 10V.
  - f). Set OUTPUT SELECTOR to "ON".
  - g). Set Polarity to "+".
  - h). Verify that voltage reading is 1.00000V ±0.00612V.
  - i). Set Polarity to "-".
  - j). Verify that voltage reading is 1.00000V ±0.00612V.
2. Dial Accuracy (0-0-0).
  - a). Set Decade Dials to 0-0-0\*.
  - b). Set Polarity to "+".
  - c). Verify that voltage reading is 0.00000 ±0.0012V.
  - d). Set Polarity to "-".
  - e). Verify that voltage reading is 0.00000 ±0.0012V.
3. Dial Accuracy (0-10-0).
  - a). Set Decade Dials to 0-10-0\*.
  - b). Set Polarity to "+".
  - c). Verify that the voltage reading is 0.10000 ±0.0017V.
  - d). Set Polarity to "-".
  - e). Verify that the voltage reading is 0.10000 ±0.0017V.

NOTE

Other dial settings can be checked if desired. Accuracy for all other settings should be checked to allowable voltage error as follows:

$$\pm(0.005 \times \frac{\text{Dialed Current}}{\text{Current Range}} + 0.0012)$$

NOTE\*

Least significant digit should be set carefully since dial is a variable control.

NOTE

If a check is made on dial accuracy immediately after a complete recalibration, the dial accuracy should be checked to allowable voltage error as follows:

$$\pm(0.00449 \times \frac{\text{Dialed Current}}{\text{Current Range}} + 0.00064)$$

4. Dial Accuracy (1000μA Range).
    - a). Set OUTPUT SELECTOR to "SHORT".
    - b). Set Range to 1000μA.
    - c). Connect Resistance (B), 1000Ω ± 0.02% to output of Model 227.
    - d). Perform steps 1d) through 1j) above.
    - e). Perform steps 2a) through 2e) above.
    - f). Perform steps 3a) through 3e) above.
  5. Dial Accuracy (100mA Range).
    - a). Set OUTPUT SELECTOR to "SHORT".
    - b). Set Range to 100mA.
    - c). Connect Resistance (B), 10Ω ± 0.02% to output of Model 227.
    - d). Perform steps 1d) through 1j) above.
    - e). Perform steps 2a) through 2e) above.
    - f). Perform steps 3a) through 3e) above.
  6. Dial Accuracy (1000mA Range).
    - a). Set OUTPUT SELECTOR to "SHORT".
    - b). Set Range to 1000mA.
    - c). Connect Resistance (B), 1Ω ± 0.02% to output of Model 227.
    - d). Perform steps 1d) through 1j) above.
    - e). Perform steps 2a) through 2e) above.
    - f). Perform steps 3a) through 3e) above.
- e. Voltage Program Verification (1000μA Range).
1. Set OUTPUT SELECTOR to "SHORT".
  2. Set Range to 1000μA.
  3. Set Decade Dials to 0-0-0.
  4. Connect Resistance (B), 1000Ω ± 0.02% to the Model 227 output.
  5. Connect DMM (A) across output of Model 227.

6. Connect Voltage Source (C) to VOLTS PROGRAM input.

NOTE

Make certain that Voltage Source (C) is capable of floating to ±300V. Also make certain no connection is made between the Voltage Source low terminal and chassis (CASE).

7. Set Voltage Source (C) for +10V output.
8. Set OUTPUT SELECTOR to "ON".
9. Verify that reading on DMM (A) is 1.00000V ±0.006V.
10. Set Voltage Source (C) for -10V output.
11. Verify that reading on DMM (A) is 1.00000V ±0.006V.
12. Set Voltage Source (C) for 0 volts output.
13. Verify that reading on DMM (A) is 0.00000V ±0.001V.

NOTE

If desired, other input levels could be checked. Output accuracy should be verified as follows: Allowable Voltage error =

$$\pm(0.005 \times \frac{\text{Voltage Source (C)}}{10} + 0.001)$$

NOTE

If verification is performed immediately after recalibration, then output accuracy should be verified as follows: Allowable Voltage error =

$$\pm(0.00441 \times \frac{\text{Voltage Source (C)}}{10} + 0.001)$$

f. Voltage Program Verification (10mA Range).

1. Set OUTPUT SELECTOR to "SHORT".
2. Set Range to 10mA.
3. Connect Resistance (B), 100Ω ± 0.02% to Model 227 output.
4. Repeat steps e5 through e13

g. Voltage Program Verification (100mA Range).

1. Set OUTPUT SELECTOR to "SHORT".
2. Set Range to 100mA.
3. Connect Resistance (B), 10Ω ± 0.02% to Model 227 output.
4. Repeat steps e5 through e13.

h. Voltage Program Verification (1000mA Range).

1. Set OUTPUT SELECTOR to "SHORT".
2. Set Range to 1000mA.
3. Connect Resistance (B), 1Ω ± 0.02% to Model 227 output.
4. Repeat steps e5 through e13.

i. Verification of Programming Option (Model 2271).

1. Set Range Switch to "REMOTE PROGRAM".

NOTE

To guarantee specification, the Model 2271 calibration should be done with the Model 227 polarity switch in the "+" position.

2. Set OUTPUT SELECTOR to "SHORT".
3. Select the 1000μA range by closure of J401 pin 13 to common.
4. Disable the External Compliance by opening of J401 pin 8 to common.
5. Set voltage compliance to 10V using FRONT PANEL CONTROL.
6. Connect Resistance Box (D) to current programming inputs at J401, pins 2 and 10.
7. Set current for "zero" by applying 11 kilohms using Resistance Box (D).

8. Connect Resistor (B) 1000Ω, 0.01% to Model 227 output.
9. Connect DMM (A) to Model 227 output.
10. Set OUTPUT SELECTOR to "ON".
11. Verify that DMM reading is 0.00000 ± 0.0012V.
12. Set current for "- full range" by applying 21 kilohms using Resistance Box (D).
13. Verify that DMM reading is -1.00000 ± 0.0062V.
14. Set current for "+ full range" by applying 1 kilohm using Resistance Box (D).
15. Verify that DMM reading is +1.00000 ± 0.0062V.
16. Set OUTPUT SELECTOR to "SHORT".
17. Verify other ranges. Select appropriate range by closure to common (pin 12).

Range	Pin Closure
10mA	pin 12 to pin 6
100mA	pin 12 to pin 14
1000mA	pin 12 to pin 7

Repeat steps i7 through i16 for each range selected.

NOTE

Other settings of output current can be checked if desired by using the following accuracy relationship:

Allowable Voltage error =

$$\pm(0.005 \times [\frac{R_p - 11 \times 10^3}{10 \times 10^3}] + 0.0012)$$

where  $R_p$  =

resistance applied.

If verification is performed immediately after recalibration, the output accuracy should be verified as follows:

Allowable Voltage error =

$$\pm(0.00426 \times [\frac{R_p - 11 \times 10^3}{10 \times 10^3}] + 0.00055)$$

IMPORTANT

When the Model 2271 is to be used with the Model 227, the Model 2271 must be installed prior to calibration of the 227, since the Model 2271 affects the Model 227 calibration. Calibration of the Model 227 should be performed prior to performing the Model 2271 procedure.

NOTE

The recommended recalibration period for the Model 227 is 12 months from factory calibration. If the complete calibration is performed using equipment specified, the Model 227 or Model 227/2271 will be useable for an additional 12 months within published specifications. If repairs are made after initial calibration, the complete calibration procedures should be performed.

5-4. ADJUSTMENT/CALIBRATION PROCEDURE. The following adjustments should be performed when any specification has been determined to be out-of-tolerance. The Performance Check given in paragraph 6-3 should be performed prior to this Calibration Procedure. If any step in the Calibration Procedure cannot be performed properly, refer to the Troubleshooting Procedure (paragraph 6-5) or contact your Keithley representative or the factory. All measurements should be made at ambient temperature of 25°C ± 3°C and relative humidity below 60%.

a. Chassis Assembly. To gain access to the adjustments in the printed circuit boards, remove four screws on Top Cover and Bottom Cover.

CAUTION

Extreme care should be taken to avoid contact with voltages at various points on the chassis when the line cord is connected.

IMPORTANT

Follow the exact calibration sequence since many adjustments are interrelated.

b. Fuse Checks.

1. Check the line fuse (F301) on the rear panel. For nominal 117V line operation, use a 2.5A type 3AG Slo-Blo fuse. For 234V line operation, use a 1.25A type 3AG Slo-Blo fuse.

2. Check the internally installed protection fuse (F101). This fuse is located on circuit board PC-330 near the front panel. Remove the top cover to gain access to the circuit board.

NOTE

If the Line Fuse (F301) is blown or missing, the Model 227 will be inoperable. If the protection fuse (F101) is blown or missing, the Model 227 will be operable, except the rear panel Current Monitor and Voltage Programming terminals.

c. Line Voltage Setting. Set the Line Switches (S302 and S303) in accord with paragraph 2-3 in Section 2.

d. Preliminary Check.

1. Set OUTPUT SELECTOR switch to "SHORT".
2. Set Range Switch to 1000µA.
3. Set Decade Switches to 10-0-0.
4. Set Polarity Switch to "+".
5. Set METER Switches to "X10" and "A".
6. Set VOLTAGE COMPLIANCE to "0" (minimum).
7. Put External short on Model 227.
8. Set Power Switch to "ON".
9. Set OUTPUT SELECTOR to "ON".
10. Set VOLTAGE COMPLIANCE to 10V.

TABLE 6-2.  
Recommended Test Equipment for Calibration.

Item	Description	Minimum Specifications	Mfr.	Model
E	Digital Voltmeter	1.00000V ±(0.015% of rng + 0.015% of rdg)	Keithley	190
F	Oscilloscope	5mV/div. sensitivity 1MHz bandwidth	Tektronix	---
G	Digital Voltmeter	3-1/2 digits, 0 ± 1000V, ±0.2% of rdg	Keithley	168



11. Observe Meter (M101) reading. Current reading should be (+) full range.

12. Set Polarity Switch to "-".

13. Observe meter (M101) reading. Reading should be (-) full range.

14. Verify Meter readings for Range Settings of  $\pm 10$ ,  $\pm 100$ , and  $\pm 1000\text{mA}$ .

15. If all ranges are indicated correctly, proceed to normal verification procedure.

#### e. Power Supply Adjustment.

1. Set controls as indicated in paragraph 5-3c (except no external short).

2. Remove the Model 227 top cover and bottom cover.

3. Locate potentiometer R306 on circuit board PC-331.

4. Connect DVM (Item G) between +325V test point and 0 HV test point.

5. Adjust potentiometer R306 for a voltage reading of  $+325\text{V} \pm 1\text{V}$ .

#### NOTE

If thermal breaker TK301 is open or faulty, no voltage reading can be made.

#### f. Bias Adjustment.

1. Set controls as indicated in paragraph 5-3c, steps 1 through 8 (except no output short).

2. Connect a 30 kilohm resistive load (1%, 10 watt) to Output terminals.

3. Connect Oscilloscope (Item F) across the resistive load to monitor the compliance voltage. Oscilloscope must be ac coupled.

4. Set the front panel VOLTAGE COMPLIANCE control (R101) to maximum (fully clockwise).

5. Set Range Switch to "100mA".

6. Set Decade Dials to 1-0-0.

7. Set OUTPUT SELECTOR Switch to "ON".

8. Adjust the VOLTAGE COMPLIANCE control (R101), until compliance Limit indicator (DS104) just lights (monitor oscillation on scope).

9. Set potentiometer R220 fully clockwise before performing step 10.

10. Adjust potentiometer R220 to reduce oscillations to zero.

11. Do Step 8 to insure no oscillation occurs.

12. Monitor voltage across R225 ( $0.39\Omega$ ) should be  $0.012\text{V}$ , no more than  $0.015\text{V}$ .

#### g. 50V and 300V Compliance Adjust.

#### NOTE

To keep the correct air flow across the heat sinks, place the top cover (loose) on the Model 227, offset just enough to gain access to adjustments. Otherwise internal power dissipation could cause excessive temperature variation which could void the calibration.

1. Remove top and bottom covers.

2. Connect DVM (G) to output.

3. Set Decade Dials to 10-10-10.

4. Set Polarity Switch to "+".

5. Set VOLTAGE COMPLIANCE to maximum.

6. Set OUTPUT SELECTOR to "ON".

7. Set Range to 1000mA.

8. Adjust potentiometer R102 for an output of  $+55\text{V} \pm 0.3\text{V}$ .

9. Set Polarity to "-".

10. Check output voltage.

11. Readjust potentiometer R102 on that polarity with the lowest absolute value of voltage for  $\pm(55\text{V} \pm 0.3\text{V})$ .

12. Set Range to 100mA.

13. Set Polarity to "+".

14. Adjust potentiometer R104 for an output of  $+305\text{V} \pm 1\text{V}$ .

15. Set Polarity to "-".

16. Check output voltage.

17. Readjust potentiometer R104 on that polarity with the lowest absolute value of voltage for  $\pm(305\text{V} \pm 1\text{V})$ .

18. Repeat steps 11 through 17 until all readings are within tolerance.

#### NOTE

Polarity with highest voltage does not have to be within the  $55 \pm 0.3\text{V}$  or  $305 \pm 1\text{V}$ . But should be no greater than 58 or 320.

#### h. Current Zero Adjust.

1. Connect a  $100\Omega$  resistive load to output.

2. Set Decade Dials to 0-0-0\*. (Set R124 fully CCW.)

3. Set Range to 10mA.

4. Connect DVM (E) across output load.
5. Set OUTPUT SELECTOR to "ON".
6. Set Polarity to "+" and take note of voltage reading.
7. Set Polarity to "-" and take note of voltage reading.
8. Adjust potentiometer R118 so that the absolute value of the voltages in steps 6 and 7 are within 10 $\mu$ V of each other.

NOTE

Output polarity should change opposite to Polarity Switch settings.

9. Set Fine Control R124 for 0-0-5 (set 5 carefully).
10. DVM (Item E) should read 0.005V  $\pm$  0.0001V if not, go to step 11. If within tolerance, go to Section 6-4i below.

NOTE

Set OUTPUT SELECTOR to "SHORT" between measurements.

11. Loosen knob on Fine Control and align knob to "5" position (without disturbing potentiometer setting).

NOTE

Do not disturb R124 setting of "5".

i. Full Range Current Calibration.

1. Set Range to 10mA.
2. Set Decade Dials to 10-0-5.
3. Connect a 100 ohm (0.01%, 10ppm/ $^{\circ}$ C, 1/8W) resistive load to the output.
4. Connect DVM (E) across output terminals.
5. Set VOLTAGE COMPLIANCE to 10.
6. Set OUTPUT SELECTOR to "ON".
7. Set Polarity to "+".
8. Monitor output voltage of DVM.
9. Adjust potentiometer R129 for an output of 1.0050V  $\pm$  0.00017V.

j. Volts Monitor Zero Adjust.

1. Set Decade Dials to 0-0-0.
2. Set Range to 10mA.
3. Connect short across output.

4. Connect DVM (E) across VOLTS MONITOR (HI-LO), on rear panel.

HI = Blue (J105)  
LO = Black (J106)

5. Set OUTPUT SELECTOR to "ON".
6. Adjust potentiometer R135 for an output of 0.0000V  $\pm$  0.0001V.

k. Meter Calibration.

1. Set OUTPUT SELECTOR to "SHORT".
2. Set Decade Dials to 0-0-0.
3. Adjust mechanical zero as necessary.
4. Set Decade Dials to 1-0-0.
5. Set Range to 10mA.
6. Set METER Switch to X1 and A.
7. Set Polarity to "+".
8. Set OUTPUT SELECTOR to "ON".
9. Adjust potentiometer R133 for full range (10) reading.
10. Set Polarity to "-".
11. Readjust potentiometer R133 so that error between + and - polarity is equal.
12. Set Meter Switch to X10 and A.
13. Set Decade Dials to 10-0-0.
14. Check both polarities by alternately switching Polarity Switch to "+" and "-".
15. Check to see the meter error is no greater than  $\approx$ 5%.

6-5. MODEL 2271 ADJUSTMENT/CALIBRATION. (Model 2271 Installed in Model 227).

a. Power Supply Connections.

1. Connect external +5V Supply at J401 pin 4 (+5V) and pin 12 (common). External supply should be rated at +5V to +6V at 200 milliamperes.

NOTE

Calibration of the Model 2271 must be done with Model 227 Front Panel Polarity Switch in "+" position to insure meeting specification.

b. Current Source Adjust.

1. Connect test set-up as shown in Figure 29.
2. Set Range to Remote Programming.
3. Connect J401 pin 6 to pin 12 (common) to enable 10mA range.

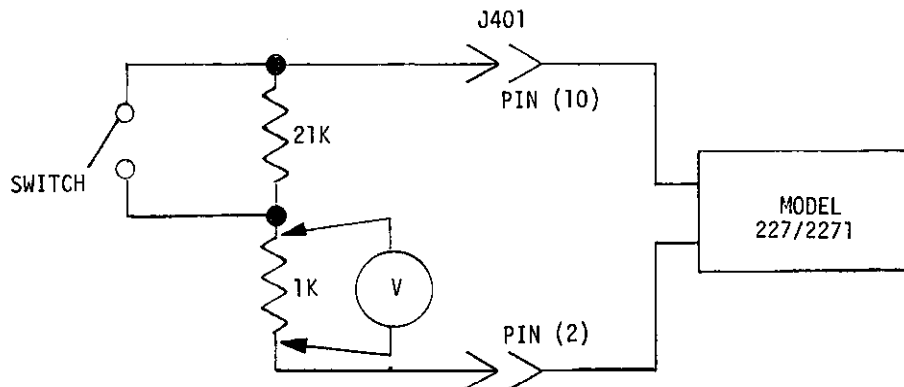


FIGURE 29. Test Set-up for Model 227/2271 Calibration.

4. Monitor voltage across  $1k\Omega$  resistor using DVM (A). Voltage should be approximately 100mV.

5. Adjust potentiometer R438 as necessary so that voltage across resistor is the same with switch closed or open (readings to be within  $\pm 10\mu V$ ).

c. Resistance Program Zero Adjust.

1. Set 227 Polarity Switch to "+".
2. Connect a  $1k\Omega$  resistor (0.02%, 1/4W) between J401 pins 2 and 10.
3. Connect a  $100\Omega$  resistor (0.01%, 1/2W) at Model 227 output terminals.
4. Connect DVM (A) across resistor (most sensitive range).
5. Turn OUTPUT SELECTOR Switch to "ON".
6. Adjust potentiometer R412 so that DVM reading is  $0.00000 \pm 200\mu V$ .

d. Current Cal. (- Full Range).

1. Connect a  $21k\Omega$  resistor (0.02%, 1/4W) between J401 pins 2 and 10.
2. Connect a  $100\Omega$  resistor at Model 227 output terminals.
3. Connect DVM (A) across resistor. (1V Range.)
4. Adjust potentiometer R407 for  $-1.00000 \pm 150\mu V$  reading at output.

e. Iterative Current Cal/Zero Adjust. Repeat steps c and d until both conditions are satisfied.

NOTE

Set the Zero Adjust (R412) in opposite polarity an equal amount to error so that iteration will converge with fewest number of operations. If potentiometer R407 does not allow sufficient adjustment range, jumper across R406 may have to be cut or reinstalled.

f. Current Verification (+ Full Range).

1. Connect a  $1k\Omega$  resistor (0.02%, 1/4W) between J401 pins 2 and 10.
2. Connect a 100 resistor at Model 227 output terminals.
3. Connect DVM (A) across resistor (1V range).
4. Check to see that output on DVM (A) is  $+1.00000 \pm 550\mu V$  reading at output.
5. Set SELECTOR Switch to "SHORT".

g. Ext. Compliance Limit (Maximum).

1. Connect J401 pin 8 to pin 12 (common).
2. Remove connections between J401 pins 2 and 10 (leave open).
3. Connect DVM (A) at Model 227 output.

4. Connect J401 pin 15 to pin 12 (common).

**CAUTION**

Up to 300 volts is present at various rear panel terminals as well as internal circuit points.

5. Connect J401 pin 1 to pin 9.
6. Connect a 1k $\Omega$  resistor (0.02%) between J401 pins 2 and 10.
7. Set OUTPUT SELECTOR Switch to "ON".
8. Record voltage reading at output.
9. Connect a 21k $\Omega$  resistor (0.02%) between J401 pins 2 and 10. (Remove 1k $\Omega$  resistor).
10. Compare reading of step 9 to that of step 10.
11. Select resistor value (1k $\Omega$  or 21k $\Omega$ ) which gives the lowest (absolute value) reading.
12. With this resistor installed, adjust potentiometer R405 for a reading of 305V  $\pm$  1V.
13. Set OUTPUT SELECTOR Switch to "SHORT".
14. Remove connection at J401, pin 15.
15. Set OUTPUT SELECTOR Switch to "ON".
16. Output voltage should read 55V  $\pm$  2V.
17. Set OUTPUT SELECTOR Switch to "SHORT".
18. Remove connection between J401 pins 1 and 9.

h. Ext. Compliance Limit (Minimum).

1. Connect a 1k $\Omega$  resistor between J401 pins 2 and 10.
2. Connect J401 pin 15 to pin 12.
3. Connect DVM (A) across output.

**NOTE**

Make certain no connection is made between J401 pins 1 and 9 (open).

4. Set OUTPUT SELECTOR Switch to "ON".
5. Voltage at output should be less than 9V volts (positive).
6. Connect 21k $\Omega$  resistor between J401 pins 2 and 10.
7. Voltage at output should be less than 9V volts (negative).
8. Repeat steps 2 through 7 with J401 pin 15 not connected to pin 12. Voltage reading should be less than  $\pm$ 3.5V.

- 6-6. MODEL 2271 CHECKOUT (Not Installed in Model 227).

a. Power Supply Check.

1. Connect external  $\pm$ 12 volt supply (needed only for check-out purposes) to printed circuit board PC-342. Connector J405 pin F should be +12V with respect to pin B. Connector J405 pin E should be -12V with respect to pin B.

2. Connect external +5V supply to connector J401 pin 4, (+5V) and pin 12 (common). External supply should be rated at +5V to +6V at 200 milliamperes.

b. Relay Check. (An ohmmeter is required for this check to verify open circuit and short circuit conditions.)

**NOTE**

Connect J404 pin B to 12V common (J405, pin B) to energize relay K408. This action connects the +5V supply to Model 2271 circuitry.

1. Remote Compliance Limit (Relay K407).
  - a). Momentarily connect J401 pin 8 to pin 12 (+5V common) to energize K407.
  - b). Check condition of relay contacts at J405 G and D using an Ohmmeter.
  - c). Contacts should open (infinite resistance) when closure to common is made.
2. 300V Compliance Range (Relay K406).
  - a). Momentarily connect J401 pin 15 to pin 12 (common) to energize K406.
  - b). Check condition of relay contacts at J405 K and H using an Ohmmeter (H).
  - c). Contacts should close (zero resistance) when closure to common is made.
  - d). Check condition of relay contacts at K406A pins 5 and 6 or across R419.
  - e). Resistance should change from 0 $\Omega$  to approximately 20k $\Omega$  when closure to common is made.
  - f). Leave J401 pin 15 to pin 12 connected for next test.
3. 1000mA Range (Relays K404, K405, and K406).
  - a). Momentarily connect J401 pin 7 and pin 12.
  - b). Check condition of relay contacts at J405 K and H using an ohmmeter.
  - c). Contacts should open (infinite resistance) when closure to common is made.
  - d). Check condition of relay contacts at J404 pin K and pin C using an Ohmmeter (B).

e). Contacts should close (zero resistance) when closure to common is made.

f). Remove connections between pins 7, 12, and 15 before proceeding to next step.

4. 100mA Range (Relay K403).

a). Momentarily connect J401 pin 14 to pin 12 (common) to energize relay K403.

b). Check condition of relay contacts at J404 pin K and F.

c). Contacts should close (zero resistance) when closure to common is made.

5. 10mA Range (Relay K402).

a). Momentarily connect J401 pin 6 to pin 12 (common) to energize relay K402.

b). Check condition of relay contacts at J404 pin K and E.

c). Contacts should close (zero resistance) when closure to common is made.

6. 1000 $\mu$ A Range (Relay K401).

a). Momentarily connect J401 pin 13 to pin 12 (common) to energize relay K401.

b). Check condition of relay contacts at J404 pin K and A.

c). Contacts should close (zero resistance) when closure to common is made.

c. Compliance Monitor Check.

1. Connect a 312 $\Omega$  resistor (5%, 1/2W) between J401 pin 5 and pin 4 (+5V supply).

NOTE

Current through the 312 $\Omega$  resistor should be 16mA. Set the +5 volt supply to achieve the current.

2. Voltage between J401 pin 5 and pin 12 should be less than +0.4V. (Leave resistor connected for next step.)

3. Connect a 360 $\Omega$  resistor (5%, 1/2W) between J406 pin A and J405 pin F (+12V supply).

4. Connect a jumper wire between J406, pin B to J405, pin B (12V common).

5. Voltage at J401 pin 5 should be greater than +2.4V.

6. Disconnect resistors and jumper.

NOTE

Should it be necessary to remove the Model 2271 Option from the Model 227 chassis, connector J206A, furnished with each 227/2271 (shown on schematic 26226E) must be installed at P206. Connector J206A is a ten-pin Berg Connector with jumper wires between pins A and C; D and G.

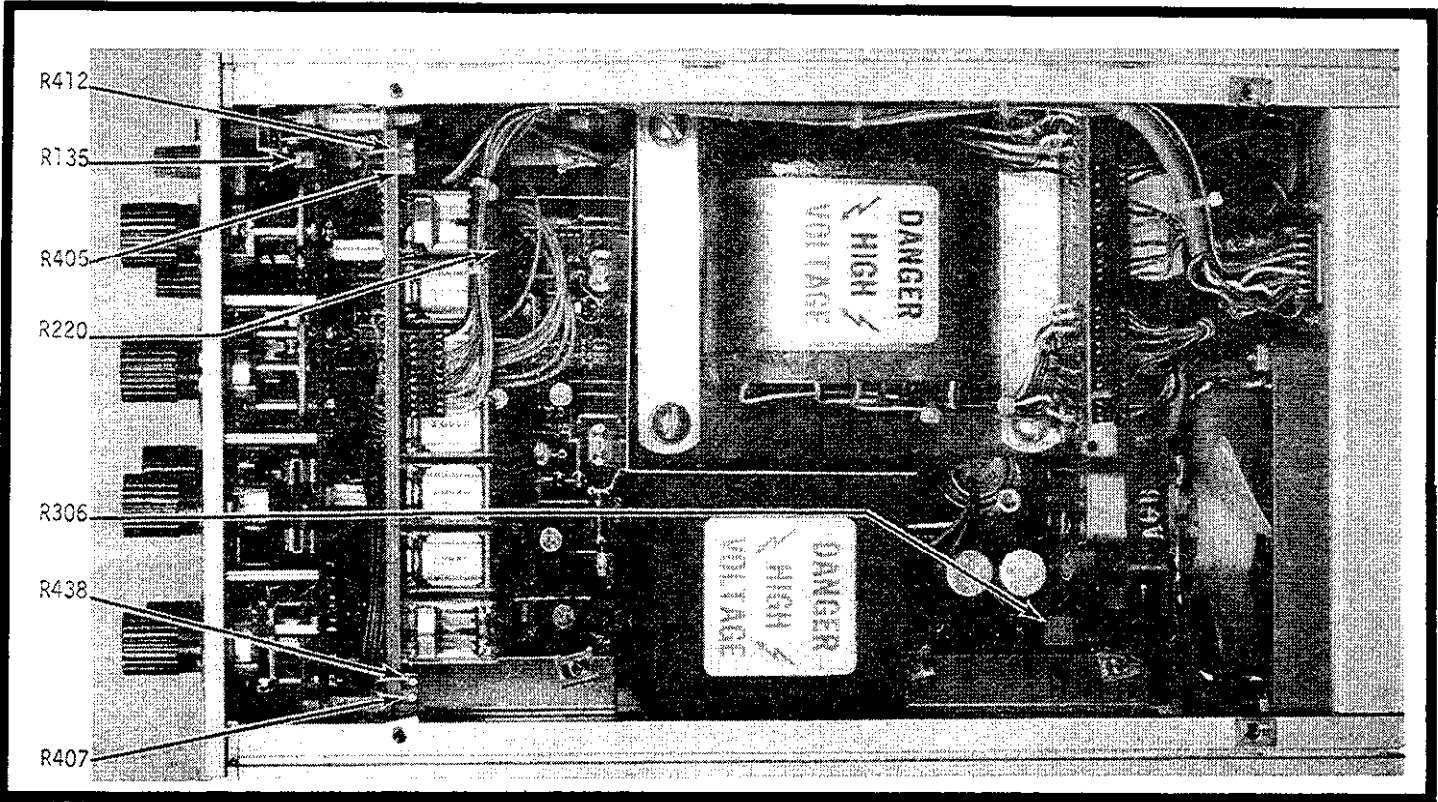


FIGURE 30. Location of Adjustments with Top Cover Removed.

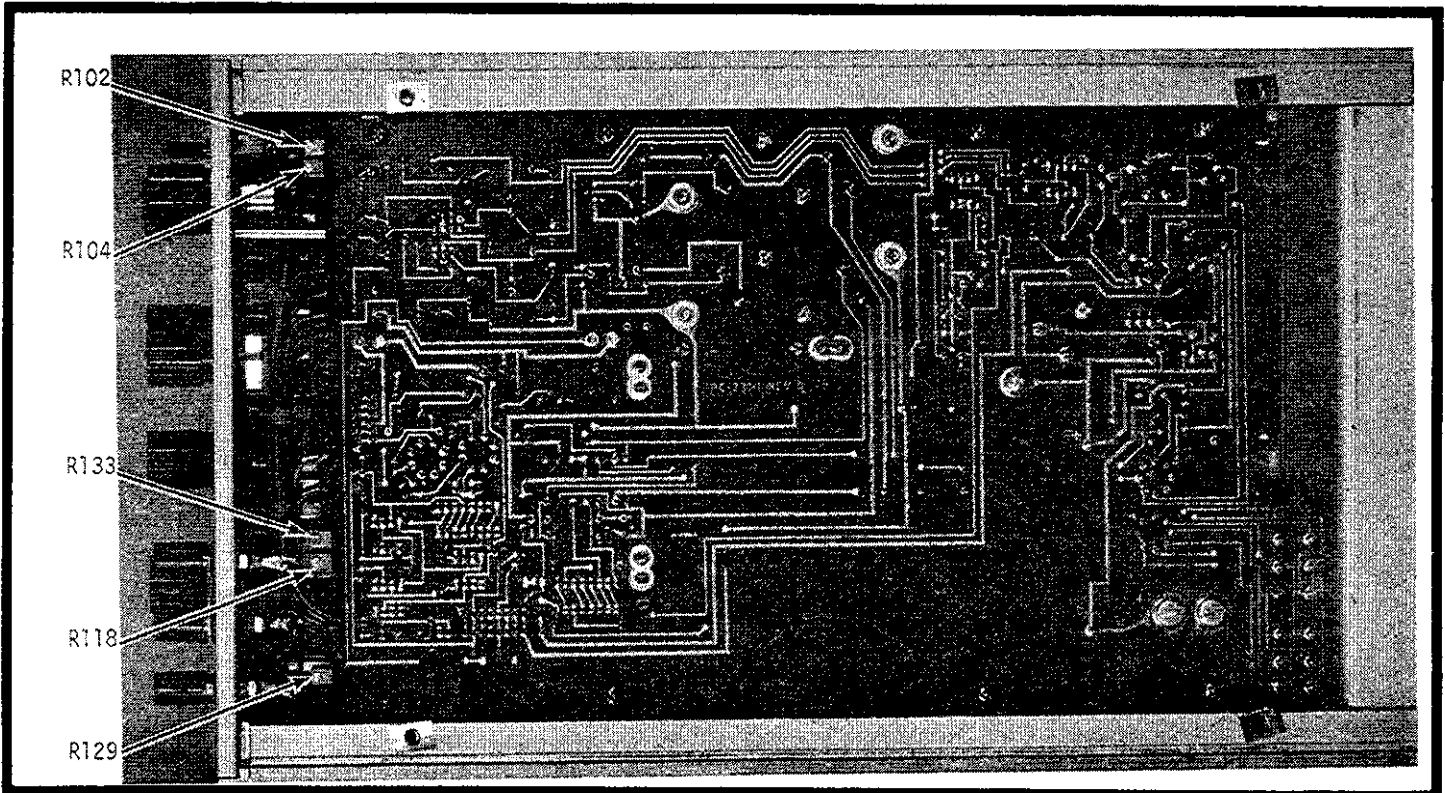


FIGURE 31. Location of Adjustments with Bottom Cover Removed.

## SECTION 7. REPLACEABLE PARTS

7-1. GENERAL. This section contains information for ordering replacement parts. The parts list is arranged in alphameric order of their Circuit Designations.

7-2. ORDERING INFORMATION. To place an order or to obtain information concerning replacement parts, contact your Keithley representative or the factory. See the inside front cover of the manual for addresses. When ordering, include the following information:

- a. Instrument Model Number
- b. Instrument Serial Number
- c. Part Description
- d. Circuit Designation (if applicable)
- e. Keithley Stock Part Number.

7-3. SCHEMATIC DIAGRAMS.

a. Power Supply (26227D). This schematic describes the line-operated power supply, including fuses, fan, and thermal circuit-breaker. Circuit designation series is "300".

b. Current Source (26226E). This schematic describes the range switching, regulating amplifiers, reference amplifier, and other controls. Circuit designation series is "100" for Switch Board, PC-330 and "200" for Mother Board, PC-331.

c. Model 2271 Programming Option (26608E). This schematic describes the controls for range, current, and compliance. Circuit designation series is "400".

TABLE 7-1.  
PC Board Designation Series

Series	Description	Designation	Page No.
100	Switch Board	PC-330	52
200	Amplifier } Mother Board	PC-331	54
300	Power Supply	PC-331	54
400	Remote Programming Circuit (Model 2271)	PC-342	57

TABLE 7-2.  
Mechanical Parts List

Item No.	Description	Qty. Per Assembly	Keithley Part No.	Figure Number
-	Chassis Assembly	-	-	32
-	Front Panel Assembly	-	-	
1	Front Panel	1	25565C	
2	Screw, Slotted, 6-32 x 3/8	4	-	
3	Front Panel Overlay	1	25566C	
4	Rear Panel	1	25568B	
5	Side Extrusion Left	1	26000C	
6	Side Extrusion Right	1	25899C	
7	Corner Bracket	2	25555B	
8	Screw, Socket, 6-32 x 1/4	4	-	
9	Screw, Phillips, 6-32 x 1/4	4	-	
10	Clip for Side Dress	2	FA-101	
11	Side Dress Panel	2	25560B	
-	Top Cover Assembly	-	-	32
12	Top Cover	1	25787B	
13	Screw, Socket, 6-32 x 5/16	4	-	
-	Bottom Cover Assembly	-	25564B	32
14	Bottom Cover	1	25563B	
15	Screw, Socket, 6-32 x 5/16	4	-	
-	Feet Assembly	-	-	
16	Feet	4	24322B	
17	Ball	4	FE-6	
18	Tilt Bail	1	17147B	
19	Screw, Phillips, 6-32	4	-	
20	Kep Nut, 6-32	4	-	



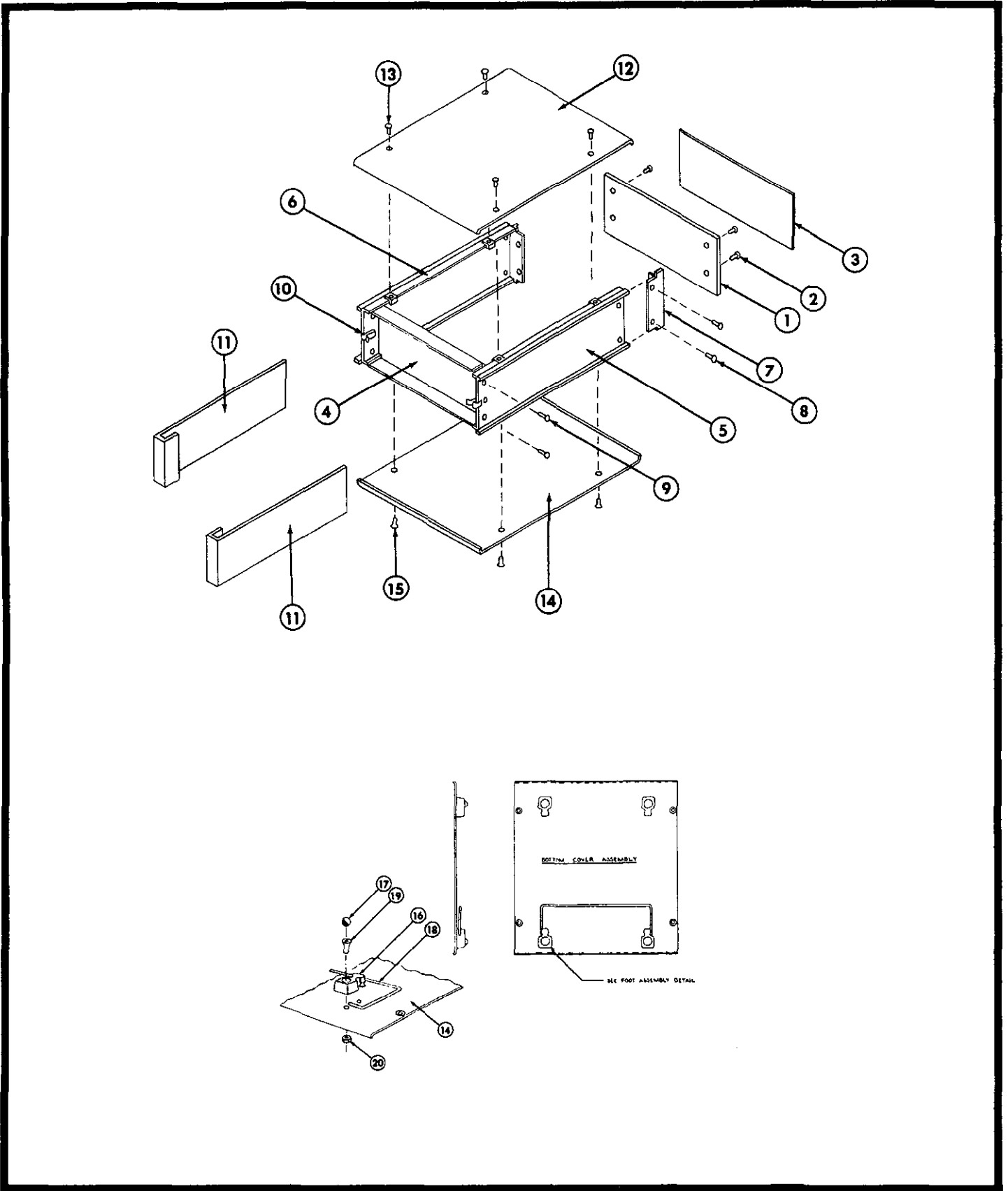


FIGURE 32. Chassis Assembly.

TABLE 7-3.  
Cross-Reference of Manufacturers

ABREV.	Name and Address	ABREV.	Name and Address
ALCO	Alco Electronics Products, Inc. Lawrence, MA. 01843	GRIFF	Griffith Plastic
A-B	Allen-Bradley Corp. Milwaukee, WI. 53204	HOW	Howard Industries Racine, WI. 53404
AMMON	Ammon Instruments, Inc. Manchester, NH. 03105	IEE	Industrial Electric Engineers, Inc. Van Nuys, CA. 91405
AMPRX	Amperex Elkgrove Village, IL. 60007	IEC	International Electronics Corp. Long Island, NY 11746
BECK	Beckman Instruments, Inc. Fullerton, CA. 92634	IRC	IRC Division Burlington, IA. 52601
BELD	Belden Manufacturing Co. Chicago, IL. 60644	LITFU	Littlefuse, Inc. Des Plaines, IL. 60016
BERG	Berg Electronics, Inc. New Cumberland, PA. 17070	MAL	Mallory Capacitor Indianapolis, IN. 46206
CENLB	Centralab Division Milwaukee, WI. 53201	MOLEX	Molex Duners Grove, IL. 60515
CLARO	Clarostat Manufacturing Co., Inc. Dover, NH. 03820	MOT	Motorola Semiconductor Products, Inc. Phoenix, AZ. 85008
COMPI	Components, Inc. Biddeford, ME. 04005	NAT	National Semiconductor Corp. Danbury, CN. 06810
C-W	Continental-Wirt Electronics Corp. Philadelphia, PA.	POTT	Potter Company Wesson, MI. 39191
CTS	CTS Corporation Elkart, IN. 46514	RCA	RCA Corporation Somerville, NJ. 08876
DALE	Dale Electronics, Inc. Columbus, NB. 68601	SOL	Solitron Devices, Inc. Tappan, NY. 10983
DELCO	Delco Electronics Div. Kokomo, IN. 46901	SPRAG	Sprague Electric Company Visalia, CA. 93278
DICK	Dickson Electronics Corp. Scottsdale, AZ. 85022	SUPER	Superior Electric Co. Bristol, CN. 06012
EDI	Electronic Devices Inc. Yonkers, NY. 10710	S-C	Switchcraft, Inc. Chicago, IL. 60630
ERIE	Erie Technological Products, Inc. Erie, PA. 16512	TEMPL	Temple Tecate, CA. 92080
FAIR	Fairchild Instruments Corp. Mountain View, CA. 94040	TEPRO	Tepro Clearwater, FL. 33517
FUSE	Fusetron (Bussman Mfg. Div.) St. Louis, MO. 63107	TEXAS	Texas Instruments Dallas, TX. 75231
G-E	General Electric Company Syracuse, NY. 13201	THERM	Therm-O-Disc., Inc. Mansfield, OH. 44907

REPLACEABLE PARTS LIST  
(Schematics 26226E, and 26227D)

CAPACITORS

Circuit Desig.	Description	Mfr. Code	Mfr. Desig.	Keithley Part No.	Qty.
C101	10 $\mu$ F, 20V, ETT. . . . .	COMPI	TD2-20-106-20	C179-10M	7
C102	10 $\mu$ F, 20V, ETT. . . . .	COMPI	TD2-20-106-20	C179-10M	..
C103	0.01 $\mu$ F, 500V, CerD. . . . .	ERIE	871-Z5U0-103M	C22-0.01M	4
C104	4.7 $\mu$ F, 20V, ETT. . . . .	COMPI	TD1-20-475-20	C179-4.7M	5
C105	10 $\mu$ F, 20V, ETT. . . . .	COMPI	TD2-20-106-20	C179-10M	..
C106	0.1 $\mu$ F, 250V, MtF. . . . .	AMPRX	C280AE/P100K	C178-0.1M	1
C107	0.01 $\mu$ F, 500V, CerD. . . . .	ERIE	871-Z5U0-103M	C22-0.01M	..
C108	0.01 $\mu$ F, 500V, CerD. . . . .	ERIE	871-Z5U0-103M	C22-0.01M	..
C109	100pF, 1000V, CerD. . . . .	CENLB	DD-101	C64-100P	1
C110	0.02 $\mu$ F, 500V, CerD. . . . .	ERIE	811-Z5U0-203M	C22-0.02M	1
C111	220pF, 1000V, CerD. . . . .	CENLB	DD-221	C64-220P	1
C112	0.01 $\mu$ F, 500V, CerD. . . . .	ERIE	871-Z5U0-103M	C22-0.01M	..
C201	22pF, 1000V, CerD. . . . .	CENLB	DD-220	C64-22P	2
C202	22pF, 1000V, CerD. . . . .	CENLB	DD-220	C64-22P	..
C203	0.33 $\mu$ F, 50V, CerF. . . . .	ERIE	8131050651334M	C237-0.33M	1
C204	0.02 $\mu$ F, 500V, CerD. . . . .	ERIE	811-Z5U0-203M	C22-0.02M	2
C205	0.02 $\mu$ F, 500V, CerD. . . . .	ERIE	811-Z5U0-203M	C22-0.02M	..
C206	0.0022 $\mu$ F, 1000V, CerD. . . . .	SPRAG	10SS-D22	C64-0.0022M	2
C207	0.0022 $\mu$ F, 1000V, CerD. . . . .	SPRAG	10SS-D22	C64-0.0022M	..
C208	0.0047 $\mu$ F, 1000V, CerD. . . . .	SPRAG	10SS-D47	C64-0.0047M	1
C209	Not Used. . . . .	...	...	...	..
C210	4.7 $\mu$ F, 20V, ETT. . . . .	COMPI	TD1-20-475-20	C179-4.7M	..
C211	4.7 $\mu$ F, 20V, ETT. . . . .	COMPI	TD1-20-475-20	C179-4.7M	..
C212	100pF, 1000V, CerD. . . . .	CENLB	DD-101	C64-100P	2
C213	0.047 $\mu$ F, 600V, MPF. . . . .	IEC	CM470-6A	C220-0.047M	1
C214	4.7 $\mu$ F, 20V, ETT. . . . .	COMPI	TD1-20-475-20	C179-4.7M	..
C215	4.7 $\mu$ F, 20V, ETT. . . . .	COMPI	TD1-20-475-20	C179-4.7M	..
C216	0.001 $\mu$ F, 1000V, CerD. . . . .	ERIE	808000Z5R0-102K	C64-0.001M	1
C217	470pF, 1000V, CerD. . . . .	CENLB	DD-471	C64-470P	3
C218	470pF, 1000V, CerD. . . . .	CENLB	DD-471	C64-470P	..
C219	470pF, 1000V, CerD. . . . .	CENLB	DD-471	C64-470P	..
C220	0.1 $\mu$ F, 400V, My. . . . .	POTT	SM1A-0.1 $\mu$ F	C73-0.1M	3
C221	0.1 $\mu$ F, 400V, My. . . . .	POTT	SM1A-0.1 $\mu$ F	C73-0.1M	..
C222	100pF, 1000V, CerD. . . . .	CENLB	DD-101	C64-100P	..
C301	20 $\mu$ F, 450V, ETB. . . . .	MAL	TC75-20 $\mu$ F	C8-20	1
C302	940 $\mu$ F, 100V, EAL. . . . .	G-E	86F183M-940 $\mu$ F	C239-940M	1
C303	680pF, 1000V, CerD. . . . .	CENLB	DD-681	C64-680P	1
C304	0.1 $\mu$ F, 400V, My. . . . .	POTT	SM1A-0.1 $\mu$ F	C73-0.1M	..
C305	470 $\mu$ F, 50V, EAL. . . . .	TEMPL	411-470 $\mu$ F	C246-470M	2
C306	10 $\mu$ F, 20V, ETT. . . . .	COMPI	TD2-20-106-20	C179-10M	..
C307	10 $\mu$ F, 20V, ETT. . . . .	COMPI	TD2-20-106-20	C179-10M	..
C308	470 $\mu$ F, 50V, EAL. . . . .	TEMPL	411-470 $\mu$ F	C246-470M	..
C309	10 $\mu$ F, 20V, ETT. . . . .	COMPI	TD2-20-106-20	C179-10M	..
C310	10 $\mu$ F, 20V, ETT. . . . .	COMPI	TD2-20-106-20	C179-10M	..
C311	0.047 $\mu$ F, 250V, MtF. . . . .	AMPRX	C280AE/P47K	C178-0.047M	1
C312	22 $\mu$ F, 20V, ETT. . . . .	COMPI	TD1-20-226-20	C179-22M	1

## DIODES

Circuit Desig.	Description	Mfr. Code	Mfr. Desig.	Keithley Part No.	Qty.
CR101	Zener, 2.6V . . . . .	TEXAS	1N702A	DZ-33	1
CR102	Rectifier, 75mA, 75V. . . . .	TEXAS	1N914	RF-28	13
CR103	Rectifier, 75mA, 75V. . . . .	TEXAS	1N914	RF-28	..
CR104	Rectifier, 75mA, 75V. . . . .	TEXAS	1N914	RF-28	..
CR105	Rectifier, 75mA, 75V. . . . .	TEXAS	1N914	RF-28	..
CR106	Rectifier, 75mA, 75V. . . . .	TEXAS	1N914	RF-28	..
CR107	Zener, 5.8V . . . . .	DICK	1N706	DZ-1	3
CR108	Zener, 5.8V . . . . .	DICK	1N706	DZ-1	..
CR109	Zener, 5.8V . . . . .	DICK	1N706	DZ-1	..
CR110	Zener, 6.3V, 250 mW . . . . .	M-S	1N827A Selected	28619A	1
CR111	Zener, 20V, 2W. . . . .	DICK	ZEZ20D5	DZ-52	2
CR112	Zener, 20V, 2W. . . . .	DICK	ZEZ20D5	DZ-52	..
CR201	Rectifier, 75mA, 75V. . . . .	TEXAS	1N914	RF-28	..
CR202	Rectifier, 75mA, 75V. . . . .	TEXAS	1N914	RF-28	..
CR203	Rectifier, 75mA, 75V. . . . .	TEXAS	1N914	RF-28	..
CR204	Rectifier, 75mA, 75V. . . . .	TEXAS	1N914	RF-28	..
CR205	Rectifier, 3A, 50V (1N4139) . . . . .	SOL	3A50	RF-34	1
CR206	Rectifier, 75mA, 75V. . . . .	TEXAS	1N914	RF-28	..
CR207	Rectifier, 75mA, 75V. . . . .	TEXAS	1N914	RF-28	..
CR208	Not Used. . . . .	..	..	..	..
CR209	Rectifier, 75mA, 75V. . . . .	TEXAS	1N914	RF-28	..
CR210	Rectifier, 75mA, 75V. . . . .	TEXAS	1N914	RF-28	..
CR211	Diode Network . . . . .	FAIR	FSA2619M	DN-2	2
CR212	Diode Network . . . . .	FAIR	FSA2619M	DN-2	..
CR301	Four-diode, full-wave bridge, 2A, 100V. . . . .	EDI	PD-10	RF-36	1
CR302	Four-diode, full-wave bridge, 1.5A, 400V. . . . .	EDI	PF-40	RF-46	1
CR303	Zener, 24V, 0.25W . . . . .	DICK	1N723	DZ-17	1
CR304	Rectifier, 3A, 400V . . . . .	EDI	HAB040	RF-47	1
CR305	Rectifier, 1A, 800V . . . . .	MOT	4006	RF-38	3
CR306	Rectifier, 1A, 800V . . . . .	MOT	4006	RF-38	..
CR307	Rectifier, 1A, 800V . . . . .	MOT	4006	RF-38	..

## DISPLAYS

Circuit Desig.	Description	Mfr. Code	Mfr. Desig.	Keithley Part No.	Qty.
DS101	Pilot Lamp, 6V. . . . .	IEE	7345-AS25	PL-57	4
DS102	Pilot Lamp, 6V. . . . .	IEE	7345-AS25	PL-57	..
DS103	Pilot Lamp, 6V. . . . .	IEE	7345-AS25	PL-57	..
DS104	Pilot Lamp, 6V. . . . .	IEE	7345-AS25	PL-57	..

## FUSES

Circuit Desig.	Description	Mfr. Code	Mfr. Desig.	Keithley Part No.	Qty.
F101	Fuse, 0.125A, 8AG . . . . .	LITFU	361.125	FU-5	1
F301	Fuse, 1.25A, 250V, 3AG, SLO-BLO (234V). . . . .	FUSE	MDX-1.25	FU-28	1
F301	Fuse, 2.5A, 250V, 3AG, SLO-BLO (117V) . . . . .	FUSE	MDA-2.5	FU-45	1

## CONNECTORS

Circuit Desig.	Description	Mfr. Code	Mfr. Desig.	Keithley Part No.	Qty.
J101	Banana Jack, Yellow . . . . .	POM	2854-4	BJ-9-4	1
J102	Banana Jack, White. . . . .	POM	2854-9	BJ-9-9	2
J103	Banana Jack, Blue . . . . .	POM	2854-6	BJ-9-6	2
J104	Banana Jack, White. . . . .	POM	2854-9	BJ-9-9	..
J105	Banana Jack, Blue . . . . .	POM	2854-6	BJ-9-6	..

CONNECTORS (Cont'd)

Circuit Desig.	Description	Mfr. Code	Mfr. Desig.	Keithley Part No.	Qty.
J106	Banana Jack, Black. . . . .	POM	2854-0	BJ-9-0	2
J107	Banana Jack, Red. . . . .	POM	2854-2	BJ-9-2	1
J108	Banana Jack, Black. . . . .	POM	2854-0	BJ-9-0	..
J109	Banana Jack, Red (Modified BJ-9-2). . . . .	POM	2854-2	27484A-2	1
J110	Banana Jack, Black (Modified BJ-9-0). . . . .	POM	2854-0	27484A-0	1
J111	Banana Jack, Green (Modified BJ-9-5). . . . .	POM	2854-5	27484A-5	1
J201	Housing, 10-pins. . . . .	BERG	20052	CS-237	5
J202	See Model 2271. . . . .	...	...	...	..
J203	Housing, 2-pins, MINI-PV. . . . .	BERG	65039-035	CS-266	1
J204	Not Used. . . . .	...	...	...	..
J205	Housing, 10 pins. . . . .	BERG	20052	CS-237	..
J206	Housing, 10-pins. . . . .	BERG	20052	CS-237	..
J207	See Model 2271. . . . .	...	...	...	..
J301	Housing, 3-pins, MINI-PV. . . . .	BERG	65039-034	CS-270	1
J302	Housing, 10-pins. . . . .	BERG	20052	CS-237	..
J303	Housing, 2-pins . . . . .	MOLEX	2139-2	CS-275	1
J304	Housing, 10-pins. . . . .	BERG	20052	CS-237	..
J305	Housing, 5-pins, MINI-PV. . . . .	BERG	65039-040	CS-251	1
J306	Line Cord, 3-wire, 8ft., gray vinyl . . . . .	BELD	Special	CO-7	1
P101-111	Not Used. . . . .	...	...	...	..
P201	10-pins . . . . .	KI	...	24249A	10
P202	10-pins . . . . .	KI	...	24249A	10
P203	2-pins. . . . .	KI	...	24249A	2
P204	Not Used. . . . .	...	...	...	..
P205	10-pins . . . . .	KI	...	24249A	10
P206	10-pins . . . . .	KI	...	24249A	10
P207	10-pins . . . . .	KI	...	24249A	10
P301	3-pins. . . . .	KI	...	24249A	3
P302	10-pins . . . . .	KI	...	24249A	10
P303	Plug, 2-pins. . . . .	MOLEX	2402-2A	CS-277	1
P304	10-pins . . . . .	KI	...	24249A	10
P305	5-pins. . . . .	KI	...	24249A	5
P306	Line Receptacle . . . . .	S-C	EAC301	CS-254	1

TRANSISTORS

Circuit Desig.	Description	Mfr. Code	Mfr. Desig.	Keithley Part No.	Qty.
Q101	PNP, Case TO-106. . . . .	FAIR	2N5139	TG-66	2
Q102	PNP, Case TO-106. . . . .	FAIR	2N5139	TG-66	..
Q201	NPN, Case TO-5. . . . .	RCA	2N3439	TG-93	3
Q202	NPN, Power Type, 3.5A, 100W, TO-3 Case. . . . .	DELCO	DTS-409	TG-113	5
Q203	NPN, Case TO-106. . . . .	FAIR	2N3565	TG-39	4
Q204	NPN, Power Type, Case TO-220. . . . .	MOT	2N5190	TG-108	2
Q205	PNP, Power Type, 40W, 4A, Case TO-220 . . . . .	MOT	2N5193	TG-107	2
Q206	PNP, Case TO-106. . . . .	FAIR	2N4355	TG-90	1
Q207	NPN, Power Type, 3.5A, 100W, TO-3 Case. . . . .	DELCO	DTS-409	TG-113	..
Q208	PNP, Power Type, 1A, 10W, Case TO-5 . . . . .	RCA	2N5416	TG-105	2
Q209	PNP, Case TO-5. . . . .	RCA	2N3439	TG-93	..
Q210	PNP, Power Type, 1A, 10W, Case TO-5 . . . . .	RCA	2N5416	TG-105	..
Q211	NPN, Power Type, 3.5A, 100W, TO-3 Case. . . . .	DELCO	DTS-409	TG-113	..
Q212	NPN, Power Type, 3.5A, 100W, TO-3 Case. . . . .	DELCO	DTS-409	TG-113	..
Q301	NPN, Case TO-5. . . . .	RCA	2N3439	TG-93	..
Q302	NPN, Power Type, 3.5A, 100W, TO-3 Case. . . . .	DELCO	DTS-409	TG-113	..
Q303	NPN, Case TO-106. . . . .	FAIR	2N3565	TG-39	..
Q304	NPN, Case TO-106. . . . .	FAIR	2N3565	TG-39	..
Q305	NPN, Case TO-106. . . . .	FAIR	2N3565	TG-39	..
Q306	PNP, Power Type, 4A, 40W, Case TO-220 . . . . .	MOT	2N5193	TG-107	..
Q307	NPN, Power Type, 4A, 40W, Case TO-220 . . . . .	MOT	2N5190	TG-108	..

## RESISTORS

Circuit Desig.	Description	Mfr. Code	Mfr. Desig.	Keithley Part No.	Qty.
R101	5k $\Omega$ , Var.	CLARO	47-5k $\Omega$	RP105-5K	1
R102	20k $\Omega$ , Cermet.	BECK	89P-20k $\Omega$	RP89-20K	2
R103	3.3k $\Omega$ , 10%, 0.25W, Comp.	A-B	CB-332-10%	R76-3.3K	1
R104	1k $\Omega$ , Cermet	BECK	89P-1k $\Omega$	RP89-1K	2
R105	499 $\Omega$ , 1%, 0.12W, MtF.	IRC	CEA-TO-499	R-88-499	1
R106	5.6k $\Omega$ , 10%, 0.25W, Comp.	A-B	CB-562-10%	R76-5.6K	1
R107	137 $\Omega$ , 1%, 0.5W, MtF.	IRC	CEC-TO-137 $\Omega$	R94-137	1
R108	100 $\Omega$ , 10%, 0.25W, Comp.	A-B	CB-101-10%	R76-100	1
R109	1.5k $\Omega$ , 10%, 0.25W, Comp.	A-B	CB-152-10%	R76-1.5K	1
R110	1k $\Omega$ , 10%, 0.25W, Comp.	A-B	CB-102-10%	R76-1K	3
R111	3.9k $\Omega$ , 10%, 0.25W, Comp.	A-B	CB-392-10%	R76-3.9K	1
R112	100 $\Omega$ , 10%, 0.5W, Comp.	A-B	ED-101-10%	R1-100	2
R113	100 $\Omega$ , 10%, 0.5W, Comp.	A-B	ED-101-10%	R1-100	..
R114	1200 $\Omega$ , 0.1%, 0.12W, MtF.	DALE	MFF-1/8-T21200 $\Omega$	R176-1200	1
R115	800 $\Omega$ , 0.1%, 0.12W, MtF.	DALE	MFF-1/8-T2-800 $\Omega$	R176-800	1
R116	400 $\Omega$ , 0.1%, 0.12W, MtF.	DALE	MFF-1/8-T2-400 $\Omega$	R176-400	1
R117	1k $\Omega$ , 10%, 0.25W, Comp.	A-B	CB-102-10%	R76-1K	..
R118	10k $\Omega$ , Cermet.	BECK	89P-10k $\Omega$	RP89-10K	..
R119	1k $\Omega$ , 0.1%, 0.12W, MtF.	DALE	MFF-1/8-1k $\Omega$	R168-1K	2
R120	820 $\Omega$ , 10%, 0.25W, Comp.	A-B	CB-821-10%	R76-820	1
R121	4.02k $\Omega$ , 1%, 0.12W, MtF.	DALE	MFF-1/8-T94.02k $\Omega$	R177-4.02K	2
R122	6.5k $\Omega$ , 0.1%, 0.12W, MtF.	DALE	MFF-1/8-T2-6.5K	R176-6.5K	1
R123	2.5k $\Omega$ , 0.1%, 0.12W, MtF.	DALE	MFF-1/8-T22.5k $\Omega$	R176-2.5K	1
R124	50 $\Omega$ , Cermet	CTS	550-50 $\Omega$	RP106-50	1
R125	120 $\Omega$ , 0.5%, 0.12W, MtF.	DALE	MFF-1/8-120 $\Omega$	R234-120	1
R126	80 $\Omega$ , 0.5%, 0.12W, MtF.	DALE	MFF-1/8-80 $\Omega$	R234-80	1
R127	40 $\Omega$ , 0.5%, 0.12W, MtF.	DALE	MFF-1/8-40 $\Omega$	R234-40	1
R128	1.69k $\Omega$ , 1%, 0.12W, MtF.	DALE	MFF-1/8-1.69k $\Omega$	R206-1.69K	1
R129	1k $\Omega$ , Cermet	BECK	89P-1k $\Omega$	RP89-1K	1
R130	160 $\Omega$ , 0.5%, 0.12W, MtF.	DALE	MFF-1/8-160 $\Omega$	R234-160	1
R131	681 $\Omega$ , 1%, 0.5W, MtF.	IRC	CEC-TO-681 $\Omega$	R94-681	2
R132	681 $\Omega$ , 1%, 0.5W, MtF.	IRC	CEC-TO-681 $\Omega$	R94-681	..
R133	500 $\Omega$ , Cermet.	BECK	89P-500 $\Omega$	RP89-500	..
R134	10 $\Omega$ , 10%, 0.5W, Comp.	A-B	ED-100-10%	R1-10	1
R135	100k $\Omega$ , Cermet	BECK	89P-100k $\Omega$	RP89-100K	1
R136	1M $\Omega$ , 10%, 0.25W, Comp.	A-B	CB-105-10%	R76-1M	1
R137	100k $\Omega$ , 10%, 0.25W, Comp.	A-B	CB-104-10%	R76-100K	2
R138	100k $\Omega$ , 10%, 0.25W, Comp.	A-B	CB-104-10%	R76-100K	..
R139	1k $\Omega$ , 10%, 0.25W, Comp.	A-B	CB-102-10%	R76-1K	..
R140	Not Used				
R141	1.8k $\Omega$ , 10%, 0.25W, Comp.	A-B	CB-182-10%	R76-1.8K	2
R142	8.2k $\Omega$ , 10%, 0.25W, Comp.	A-B	CB-822-10%	R76-8.2K	2
R143	8.2k $\Omega$ , 10%, 0.25W, Comp.	A-B	CB-822-10%	R76-8.2K	..
R144	1.8k $\Omega$ , 10%, 0.25W, Comp.	A-B	CB-182-10%	R76-1.8K	..
R145	66.5k $\Omega$ , 1%, 0.5W, MtF.	IRC	CEC-TO-66.5k $\Omega$	R94-66.5K	2
R146	66.5k $\Omega$ , 1%, 0.5W, MtF.	IRC	CEC-TO-66.5k $\Omega$	R94-66.5K	..
R147	1.21M $\Omega$ , 1%, 0.5W, MtF.	IRC	CEC-TO-1.21M $\Omega$	R94-1.21M	1
R148	4.02k $\Omega$ , 1%, 0.12W, MtF.	DALE	MFF-1/8-T94.02k $\Omega$	R177-4.02K	..
R149	3.57k $\Omega$ , 1%, 0.12W, MtF.	IRC	CEA-TO-3.57k $\Omega$	R88-3.57K	1
R150	1600 $\Omega$ , 0.1%, 0.12W, MtF.	DALE	MFF-1/8-T21600 $\Omega$	R176-1600	1
R151	1k $\Omega$ , 0.1%, 0.12W, MtF.	DALE	MFF-1/8-1k $\Omega$	R-168-1k	..
R201	249k $\Omega$ , 1%, 0.5W, MtF.	IRC	CEC-TO-249k $\Omega$	R94-249K	2
R202	249k $\Omega$ , 1%, 0.5W, MtF.	IRC	CEC-TO-249k $\Omega$	R94-249K	..
R203	33k $\Omega$ , 10%, 0.25W, Comp.	A-B	CB-333-10%	R76-33K	2
R204	3.3k $\Omega$ , 10%, 0.25W, Comp.	A-B	CB-332-10%	R76-3.3K	4
R205	3.32k $\Omega$ , 1%, 0.12W, MtF.	IRC	CEA-TO-3.32k $\Omega$	R88-3.32K	4
R206	3.32k $\Omega$ , 1%, 0.12W, MtF.	IRC	CEA-TO-3.32k $\Omega$	R88-3.32K	..
R207	7.68k $\Omega$ , 1%, 0.12W, MtF.	IRC	CEA-TO-7.68k $\Omega$	R88-7.68K	2
R208	7.68k $\Omega$ , 1%, 0.12W, MtF.	IRC	CEA-TO-7.68k $\Omega$	R88-7.68K	..
R209	3.3k $\Omega$ , 10%, 0.25W, Comp.	A-B	CB-332-10%	R76-3.3K	..
R210	33k $\Omega$ , 10%, 0.25W, Comp.	A-B	CB-333-10%	R76-33K	..
R211	330 $\Omega$ , 10%, 0.25W, Comp.	A-B	CB-331-10%	R76-330	2
R212	330 $\Omega$ , 10%, 0.25W, Comp.	A-B	CB-331-10%	R76-330	..
R213	2.2k $\Omega$ , 10%, 0.25W, Comp.	A-B	CB-222-10%	R76-2.2K	2
R214	2.2k $\Omega$ , 10%, 0.25W, Comp.	A-B	CB-222-10%	R76-2.2K	..

## RESISTORS (Cont'd)

Circuit Desig.	Description	Mfr. Code	Mfr. Desig.	Keithley Part No.	Qty.
R215	900Ω, 0.1%, 1W, MtF . . . . .	TEP	TS-1	R249-900	1
R216	90Ω, 0.1%, 0.25W, MtF . . . . .	RCL	7009	R95-90	1
R217	9Ω, 0.1%, 5W, WW . . . . .	TEPRO	TS5-9Ω	R232-9	1
R218	1Ω, 0.1%, 10W, WW . . . . .	TEPRO	TS10-1Ω	R231-1	1
R219	68kΩ, 10%, 0.25W, Comp. . . . .	A-B	CB-623-10%	R76-68K	1
R220	100Ω, 0.5W, Var . . . . .	BECK	72PMR-100Ω	RP97-100	1
R221	681Ω, 1%, 0.5W, MtF . . . . .	IRC	CEC-TO-681Ω	R94-681	2
R222	681Ω, 1%, 0.5W, MtF . . . . .	IRC	CEC-TO-681Ω	R94-681	..
R223	1.5kΩ, 10%, 0.25W, Comp . . . . .	A-B	CB-152-10%	R76-1.5K	4
R224	47Ω, 10%, 0.25W, Comp . . . . .	A-B	CB-470-10%	R76-47	2
R225	0.39Ω, 5%, 2W, WW . . . . .	IRC	BWH-2W-.39Ω	R201-0.39	2
R226	0.39Ω, 5%, 2W, WW . . . . .	IRC	BWH-2W-.39Ω	R201-0.39	..
R227	47Ω, 10%, 0.25W, Comp . . . . .	A-B	CB-470-10%	R76-47	..
R228	1.5kΩ, 10%, 0.25W, Comp . . . . .	A-B	CB-152-10%	R76-1.5K	..
R229	820Ω, 10%, 0.25W, Comp. . . . .	A-B	CB-821-10%	R76-820	1
R230	150Ω, 10%, 0.25W, Comp. . . . .	A-B	CB-151-10%	R76-150	2
R231	150Ω, 10%, 0.25W, Comp. . . . .	A-B	CB-151-10%	R76-150	..
R232	1kΩ, 1%, 0.5W, MtF. . . . .	IRC	CEC-TO-1kΩ	R94-1K	2
R233	1.5kΩ, 10%, 0.25W, Comp . . . . .	A-B	CB-152-10%	R76-1.5K	..
R234	1kΩ, 1%, 0.5W, MtF. . . . .	IRC	CEC-TO-1kΩ	R94-1K	..
R235	3.3kΩ, 10%, 0.25W, Comp . . . . .	A-B	CB-332-10%	R76-3.3K	..
R236	333kΩ, 1%, 0.5W, MtF. . . . .	IRC	CEC-TO-333kΩ	R94-333K	3
R237	3.32kΩ, 1%, 0.12W, MtF. . . . .	IRC	CEA-TO-3.32kΩ	R88-3.32K	..
R238	10kΩ, 10%, 0.25W, Comp. . . . .	A-B	CB-103-10%	R76-10K	4
R239	3.32kΩ, 1%, 0.12W, MtF. . . . .	IRC	CEA-TO-3.32kΩ	R88-3.32K	..
R240	333kΩ, 1%, 0.5W, MtF. . . . .	IRC	CEC-TO-333kΩ	R94-333K	..
R241	3.3kΩ, 10%, 0.25W, Comp . . . . .	A-B	CB-332-10%	R76-3.3K	..
R242	333kΩ, 1%, 0.5W, MtF. . . . .	IRC	CEC-TO-333kΩ	R94-333K	..
R243	100Ω, 10%, 0.25W, Comp. . . . .	A-B	CB-101-10%	R76-100	2
R244	100Ω, 10%, 0.25W, Comp. . . . .	A-B	CB-101-10%	R76-100	..
R301	5.49kΩ, 1%, 0.12W, MtF. . . . .	IRC	CEA-TO-5.49kΩ	R88-5.49K	1
R302	100kΩ, 10%, 2W, Comp. . . . .	A-B	HB-104-10%	R3-100K	1
R303	1.5kΩ, 10%, 0.25W, Comp . . . . .	A-B	CB-152-10%	R76-1.5K	..
R304	20Ω, 5%, 2W, WW . . . . .	IRC	BWH-2W-20Ω	R201-20	1
R305	32.4kΩ, 1%, 0.12W, MtF. . . . .	IRC	CEA-TO-32.4kΩ	R88-32.4K	1
R306	10kΩ, 0.5W, Var . . . . .	BECK	72PMR-10kΩ	RP97-10K	1
R307	464kΩ, 1%, 0.5W, MtF. . . . .	IRC	CEC-TO-464kΩ	R94-464K	2
R308	100kΩ, 10%, 1W, Comp. . . . .	A-B	GB-104-10%	R2-100K	1
R309	47kΩ, 10%, 2W, Comp . . . . .	A-B	HB-104-10%	R3-47K	..1
R310	464kΩ, 1%, 0.5W, MtF. . . . .	IRC	CEC-TO-464kΩ	R94-464K	..
R311	10kΩ, 10%, 0.25W, Comp. . . . .	A-B	CB-103-10%	R76-10K	..
R312	10kΩ, 10%, 0.25W, Comp. . . . .	A-B	CB-103-10%	R76-10K	..
R313	16.63kΩ, 0.1%, 0.12W, MtF . . . . .	DALE	MFF-1/8-16.63kΩ	R176-16.63K	2
R314	16.63kΩ, 0.1%, 0.12W, MtF . . . . .	DALE	MFF-1/8-16.63kΩ	R176-16.63K	..
R315	10kΩ, 10%, 0.25W, Comp. . . . .	A-B	CB-103-10%	R76-10K	..
R316	68Ω, 10%, 0.25W, Comp . . . . .	A-B	CB-680-10%	R76-68	2
R317	68Ω, 10%, 0.25W, Comp . . . . .	A-B	CB-680-10%	R76-68	..

## SWITCHES

Circuit Desig.	Description	Mfr. Code	Mfr. Desig.	Keithley Part No.	Qty.
S101	Range, Rotary Type. . . . .	KI	...	SW-360	1
S102	Current, X100, Rotary Type. . . . .	KI	...	SW-363	2
S103	Current, X10, Rotary Type . . . . .	KI	...	SW-363	..
S104	Output Selector, Rotary Type. . . . .	KI	...	SW-361	1
S105	Switch, Slide, DPDT . . . . .	S-C	46206LR	SW-365	1
S106	Switch, Slide, DPDT . . . . .	S-C	XW2776	SW-394	2
S107	Switch, Slide, DPDT . . . . .	S-C	XW2776	SW-394	..
S108	LO (Ground-Float), SPST . . . . .	C-W	GF-323SPST	SW-392	..
S301	Switch, Toggle, SPDT. . . . .	ALCO	MST-105D	SW-236	1
S302	Switch, DPDT. . . . .	C-W	GG350PC-DPDT	SW-318	2
S303	Switch, DPDT. . . . .	C-W	GG350PC-DPDT	SW-318	..

INTEGRATED CIRCUITS

Circuit Desig.	Description	Mfr. Code	Mfr. Desig.	Keithley Part No.	Qty.
U101	Transistor Array, 14-pin DIP. . . . .	RCA	CA3086	IC-53	1
U102	Operational Amplifier, 8-pin DIP. . . . .	FAIR	Special	IC-77	1
U103	Operational Amplifier, 8-pin, TO-99 Case. . . . .	NAT	LM308H	IC-67	2
U104	Operational Amplifier, 8-pin, TO-99 Case. . . . .	NAT	LM308H	IC-67	..
U201	Operational Amplifier, 8-pin DIP. . . . .	NAT	LM307N	IC-61	2
U202	Operational Amplifier, 8-pin DIP. . . . .	NAT	LM307N	IC-61	..
U203	Operational Amplifier, 8-pin, TO-99 Case. . . . .	RCA	CA3080	IC-91	2
U204	Operational Amplifier, 8-pin, TO-99 Case. . . . .	RCA	CA3080	IC-91	..
U205	Operational Amplifier, 8-pin DIP. . . . .	FAIR	Special	IC-76	1
U206	Operational Amplifier, 8-pin DIP. . . . .	NAT	LM301AN	IC-24	1
U301	12V Regulator, Case TO-220. . . . .	FAIR	UGH7812393	IC-60	2
U302	12V Regulator, Case TO-220 (*Selected IC-60). . . . .	FAIR	UGH7812393	*26839A	..
U303	Operational Amplifier, 8-pin DIP. . . . .	FAIR	U9T7741393	IC-42	2
U304	Operational Amplifier, 8-pin DIP. . . . .	FAIR	U9T7741393	IC-42	..

MISCELLANEOUS

Circuit Desig.	Description	Mfr. Code	Mfr. Desig.	Keithley Part No.	Qty.
B301	Fan, 105CFM, 115V, 60 Hz, 19W . . . . .	HOW	3-90-8010	FN-2	
M101	Meter, 250µA, linear movement . . . . .	AMMON	FM-1	ME-96	1
T301	Transformer . . . . .	KI	Special	TR-148	1
TK301	Thermal Breaker, SPST, Open: 185°F, Closed: 135°F . . . . .	THERM	36T21	TB-1	1
--	Dial, for selector switch S102. . . . .	KI	--	25781A	-
--	Dial, for selector switch S103. . . . .	KI	--	25781A	-
--	Dial, for output control R124 . . . . .	KI	--	25783A	-
--	Dial, for Range Switch S101 . . . . .	KI	--	25785A	-
--	Knob, for Output Selector Switch S104 . . . . .	KI	--	25151A	-
--	Knob, for Voltage Compliance Control R101 . . . . .	KI	--	25151A	-



Parts Located on PC-396 (See Schematic 27266C)

CAPACITORS

Circuit Desig.	Description	Mfr. Code	Mfr. Desig.	Keithley Part No.	Qty.
C501	10 F, 20V, ETT . . . . .	COMPI	TD2-20-106-20	C-179-10M	..
C502	0.47 F, 20V, ETT . . . . .	COMPI	TD1-20-474-20	C-179-0.47M	1
C503	4.7 F, 20V, ETT . . . . .	COMPI	TD1-20-475-20	C-179-4.7M	..

DIODES

Circuit Desig.	Description	Mfr. Code	Mfr. Desig.	Keithley Part No.	Qty.
CR501	Rectifier, 75mA, 75V . . . . .	TEXAS	1N914	RF-28	..
CR502	Rectifier, 75mA, 75V . . . . .	TEXAS	1N914	RF-28	..
CR503	Rectifier, 75mA, 75V . . . . .	TEXAS	1N914	RF-28	..
CR504	Rectifier, 75mA, 75V . . . . .	TEXAS	1N914	RF-28	..
CR505	Rectifier, 75mA, 75V . . . . .	TEXAS	1N914	RF-28	..

CONNECTORS

Circuit Desig.	Description	Mfr. Code	Mfr. Desig.	Keithley Part No.	Qty.
P501	5-pins. . . . .	KI	.....	24249A	..
P502	5-pins. . . . .	KI	.....	24249A	..

TRANSISTORS

Circuit Desig.	Description	Mfr. Code	Mfr. Desig.	Keithley Part No.	Qty.
Q501	N-Chan jFET, Case R110. . . . .	INTSL	ITE4392	TG-77	4
Q502	N-Chan jFET, Case R110. . . . .	INTSL	SELECTED	27283A*	..
Q503	N-Chan jFET, Case R110. . . . .	INTSL	ITE4392	TG-77	..
Q504	N-Chan jFET, Case R110. . . . .	INTSL	ITE4392	TG-77	..

RESISTORS

Circuit Desig.	Description	Mfr. Code	Mfr. Desig.	Keithley Part No.	Qty.
R501	1M $\Omega$ , 10%, 0.25W, Comp . . . . .	A-B	CB-105-10%	R-76-1M	..
R502	100k $\Omega$ , 10%, 0.25W, Comp . . . . .	A-B	CB-104-10%	R-76-100K	..
R503	1M $\Omega$ , 10%, 0.25W, Comp . . . . .	A-B	CB-105-10%	R-76-1M	..
R504	820k $\Omega$ , 10%, 0.25W, Comp . . . . .	A-B	CB-821-10%	R-76-820K	1
R505	100k $\Omega$ , 10%, 0.25W, Comp . . . . .	A-B	CB-104-10%	R-76-100K	..
R506	100k $\Omega$ , 10%, 0.25W, Comp . . . . .	A-B	CB-104-10%	R-76-100K	..
R507	1M $\Omega$ , 10%, 0.25W, Comp . . . . .	A-B	CB-105-10%	R-76-1M	..
R508	1M $\Omega$ , 10%, 0.25W, Comp . . . . .	A-B	CB-105-10%	R-76-1M	..
R509	1k $\Omega$ , 10%, 0.25W, Comp . . . . .	A-B	CB-102-10%	R-76-1K	..

CABLES

Circuit Desig.	Description	Mfr. Code	Mfr. Desig.	Keithley Part No.	Qty.
J501	Connector, Housing, 5-pins . . . . .	BERG	65039-040	CS-251	2
J502	Connector, Housing, 5-pins . . . . .	BERG	65039-040	CS-251	..

NOTE

Cables J501 and J502 connect between PC-396 and PC-331 as shown on schematic 27266C. Connections P208 through P216 are located on PC-331 (See schematic 27266C and 26626E).

CAPACITORS						
Circuit Desig.	Description	Mfr. Code	Mfr. Desig.	Keithley Part No.	Qty.	
C401	100pF, 1000V, CerD. . . . .	CENLB	DD-101	C64-100P	1	
C402	33pF, 1000V, CerD. . . . .	CENLB	DD-330	C64-33P	1	
C403	0.1µF, 250V, MtF. . . . .	AMPRX	C280AE/P100K	C178-0.1	1	
C404	1.2µF, 20V, ETT . . . . .	COMPI	TD1-20-125-20	C179-1.2M	2	
C405	1.2µF, 20V, ETT . . . . .	COMPI	TD1-20-125-20	C179-1.2M	..	
C406	0.33µF, 50V, CerF . . . . .	ERIE	8131050651-334M	C237-0.33M	1	
C407	0.01µF, 500V, CerD. . . . .	ERIE	871-25U0-103M	C22-0.01M	1	

DIODES						
Circuit Desig.	Description	Mfr. Code	Mfr. Desig.	Keithley Part No.	Qty.	
CR401	Rectifier, 75mA, 75V. . . . .	TEXAS	1N914	RF-28	10	
CR402	Rectifier, 75mA, 75V. . . . .	TEXAS	1N914	RF-28	..	
CR403	Rectifier, 75mA, 75V. . . . .	TEXAS	1N914	RF-28	..	
CR404	Rectifier, 75mA, 75V. . . . .	TEXAS	1N914	RF-28	..	
CR405	Rectifier, 75mA, 75V. . . . .	TEXAS	1N914	RF-28	..	
CR406	Rectifier, 75mA, 75V. . . . .	TEXAS	1N914	RF-28	..	
CR407	Rectifier, 75mA, 75V. . . . .	TEXAS	1N914	RF-28	..	
CR408	Rectifier, 75mA, 75V. . . . .	TEXAS	1N914	RF-28	..	
CR409	Zener, 6.2V, 1/4W (Selected). . . . .	KI	--	28227A	1	
CR410	Rectifier, 75mA, 75V. . . . .	TEXAS	1N914	RF-28	..	
CR411	Zener, 5.8V . . . . .	DICK	1N706	DZ-1	1	
CR412	Rectifier, 1A, 800V . . . . .	MOT	4006	RF-38	1	
CR413	Rectifier, 75mA, 75V. . . . .	TEXAS	1N914	RF-28	..	
CR414	Zener, 15V. . . . .	DICK	1N718	DZ-18	1	

DISPLAYS						
Circuit Desig.	Description	Mfr. Code	Mfr. Desig.	Keithley Part No.	Qty.	
DS401	LED, 2V, 40mA (red) . . . . .	LITRO	RL209	26746A*	2	
DS402	LED, 2V, 40mA (red) . . . . .	LITRO	RL209	26746A*	..	

\*Selected from Keithley PL-61

CONNECTORS						
Circuit Desig.	Description	Mfr. Code	Mfr. Desig.	Keithley Part No.	Qty.	
J401	15-pin, Remote Program (Female) . . . . .	CAN	DAM-15S	CS-303	1	
J402	10-pin. . . . .	BERG	20052	CS-237	3	
J403	5-pin . . . . .	BERG	20370	CS-251	1	
J404	10-pin. . . . .	BERG	20052	CS-237	..	
J405	10-pin. . . . .	BERG	20052	CS-237	..	
J406	2-pin . . . . .	BERG	65039-035	CS-266	2	
J407	2-pin . . . . .	BERG	65039-035	CS-266	..	
P401	15-pin, mate for Remote Program (Furnished) . . . . .	CAN	DAM-15P	CS-304	1	
P402	Part of circuit board, pc-342 . . . . .					
P403						
P404						
P405						
P406						

RELAYS						
Circuit Desig.	Description	Mfr. Code	Mfr. Desig.	Keithley Part No.	Qty.	
K401	DPDT, 6V. . . . .	BAB	K2T-6V-1	RL-42	7	
K402	DPDT, 6V. . . . .	BAB	K2T-6V-1	RL-42	..	
K403	DPDT, 6V. . . . .	BAB	K2T-6V-1	RL-42	..	
K404	DPDT, 6V. . . . .	BAB	K2T-6V-1	RL-42	..	
K405	DPDT, 6V. . . . .	BAB	K2T-6V-1	RL-42	..	
K406	DPDT, 6V. . . . .	BAB	K2T-6V-1	RL-42	..	
K407	DPDT, 6V. . . . .	BAB	K2T-6V-1	RL-42	..	
K408	DPDT, 24V . . . . .	BAB	K2T-24V-1	RL-43	1	

TRANSISTORS

Circuit Desig.	Description	Mfr. Code	Mfr. Desig.	Keithley Part No.	Qty.
Q401	NPN, Case TO-92 . . . . .	MOT	2N3904	TG-47	3
Q402	JFET. . . . .	MOT	2N4391	TG-80	1
Q403	NPN, Case TO-92 . . . . .	MOT	2N3904	TG-47	..
Q404	NPN, Case TO-92 . . . . .	MOT	2N3904	TG-47	..
Q405	PNP, Power Type, Case TO-5. . . . .	RCA	2N5416	TG-105	1
Q406	NPN, Case TO-106. . . . .	FAIR	2N3565	TG-39	2
Q407	NPN, Case TO-106. . . . .	FAIR	2N3565	TG-39	..

RESISTORS

Circuit Desig.	Description	Mfr. Code	Mfr. Desig.	Keithley Part No.	Qty.
R401	22kΩ, 10%, 0.25W, Comp. . . . .	A-B	CB-223-10%	R76-22K	3
R402	56kΩ, 10%, 0.25W, Comp. . . . .	A-B	CB-563-10%	R76-56K	1
R403	499kΩ, 0.5%, 0.5W, MtF. . . . .	DALE	MFF-1/2-T9	R171-499K	1
R404	1.8kΩ, 10%, 0.25W, Comp. . . . .	A-B	CB-182-10%	R76-1.8K	1
R405	50kΩ, Cermet. . . . .	BECK	89P-50K	RP89-50K	2
R406	1.1kΩ, 1%, 0.125W, MtF. . . . .	IRC	CEA-TO-1.1kΩ	R88-1.1K	1
R407	2kΩ, Cermet . . . . .	BECK	89P-2K	RP89-2K	1
R408	499kΩ, 0.12%, 1W, MtF . . . . .	DALE	MFF-1/8-T9-499K	R177-499K	2
R409	499kΩ, 0.12%, 1W, MtF . . . . .	DALE	MFF-1/8-T9-499K	R177-499K	..
R410	475kΩ, 0.12%, 1W, MtF . . . . .	DALE	MFF-1/8-T9-475K	R177-475K	1
R411	49.9kΩ, 0.12%, 1W, MtF. . . . .	DALE	MFF-1/8-T9-49.9K	R177-49.9K	1
R412	50kΩ, Cermet. . . . .	BECK	89P-50K	RP89-50K	..
R413	1kΩ, 0.12%, 1W, MtF . . . . .	DALE	MFF-1/8-T9-	R177-1K	1
R414	6.8kΩ, 10%, 0.25W, Comp. . . . .	A-B	CB-223-10%	R76-22K	..
R415	10kΩ, 1%, 0.125W, MtF . . . . .	IRC	CEA-TO-10kΩ	R88-10K	2
R416	2.2MΩ, 10%, 0.25W, Comp. . . . .	A-B	CB-225-10%	R76-2.2M	1
R417	10kΩ, 1%, 0.125W, MtF . . . . .	IRC	CEA-TO-10kΩ	R88-10K	..
R418	6.04kΩ, 0.1%, 0.125W, MtF . . . . .	DALE	MFF-1/8-6.04K	R179-6.04K	1
R419	28kΩ, 0.1%, 0.125W, MtF . . . . .	DALE	MFF-1/8-28K	R179-28K	1
R420	3.3kΩ, 10%, 0.25W, Comp. . . . .	A-B	CB-332-10%	R76-3.3K	1
R421	100kΩ, 10%, 0.25W, Comp. . . . .	A-B	CB-104-10%	R76-100K	2
R422	4.7kΩ, 10%, 0.25W, Comp. . . . .	A-B	CB-472-10%	R76-4.7K	2
R423	1MΩ, 10%, 0.25W, Comp. . . . .	A-B	CB-105-10%	R76-1M	1
R424	2.2kΩ, 10%, 0.25W, Comp. . . . .	A-B	CB-103-10%	R76-10K	..
R425	4.7kΩ, 10%, 0.25W, Comp. . . . .	A-B	CB-472-10%	R76-4.7K	..
R426	10kΩ, 1%, 0.125W, MtF . . . . .	DALE	MFF-1/8-10K	R168-10K	2
R427	4.75kΩ, 1%, 0.125W, MtF . . . . .	IRC	CEA-TO-4.75K	R88-4.75K	1
R428	10kΩ, 10%, 0.25W, Comp. . . . .	A-B	CB-103-10%	R76-10K	..
R429	22kΩ, 10%, 0.25W, Comp. . . . .	A-B	CB-223-10%	R76-22K	..
R430	9.09kΩ, 1%, 0.125W, MtF . . . . .	IRC	CEA-TO-9.09K	R88-9.09K	1
R431	1kΩ, 1%, 0.125W, MtF. . . . .	IRC	CEA-TO-1K	R88-1K	1
R432	10kΩ, 1%, 0.125W, MtF . . . . .	DALE	MFF-1/8-10K	R168-10K	..
R433	29.4kΩ, 0.12%, 1W, MtF. . . . .	DALE	MFF-1/8-T9-29.4K	R177-29.4K	1
R434	100kΩ, 10%, 1.0W, Comp. . . . .	A-B	GB-104-10%	R2-100K	1
R435	100kΩ, 10%, 0.25W, Comp. . . . .	A-B	CB-104-10%	R76-100K	..
R436	3.09kΩ, 0.12%, 1W, MtF. . . . .	DALE	MFF-1/8-T9-3.09K	R177-3.09K	2
R437	3.09kΩ, 0.12%, 1W, MtF. . . . .	DALE	MFF-1/8-T9-3.09K	R177-3.09K	..
R438	50kΩ, Cermet. . . . .	BECK	89P-50K	RP89-50K	1
R439	715Ω, 1%, 0.125W, MtF . . . . .	IRC	CEA-TO-715	R88-715	1

INTEGRATED CIRCUITS

Circuit Desig.	Description	Mfr. Code	Mfr. Desig.	Keithley Part No.	Qty.
U401	Operational Amplifier, 8-pin DIP (*Selected). . . . .	NAT	LM308N*	26426A	1
U402	Operational Amplifier, 8-pin, Case TO-99. . . . .	NAT	LM308H	IC-67	1
U403	Operational Amplifier, 8-pin DIP. . . . .	FAIR	Special	IC-77	1
U404	Operational Amplifier, 8-pin DIP. . . . .	FAIR	UGT7741393	IC-42	2
U405	Isolator, 6-pin DIP . . . . .	FAIR	FCD820	IC-82	1
U406	Operational Amplifier, 8-pin DIP. . . . .	FAIR	UGT7741393	IC-42	..

## COMPONENTS LOCATED ON PC-330

Circuit Desig.	Location Code	Circuit Desig.	Location Code	Circuit Desig.	Location Code
C101	G-4	Q102	G-3	R132	A-3
C102	F-4			R133	C-4
C103	F-2	R102	H-4	R134	E-4
C104	G-3	R103	F-4	R135	A-1
C105	F-5	R104	G-4	R136	E-1
C106	F-1	R105	F-4	R137	F-2
C107	B-3	R106	F-4	R138	F-2
C108	B-3	R107	G-3	R139	F-2
C109	A-3	R108	G-3	R140	C-3
C110	A-2	R109	G-3	R141	D-3
C111	F-3	R110	G-3	R142	D-3
		R111	F-2	R143	D-3
CR101	F-4	R112	F-4	R144	D-3
CR102	F-3	R113	F-4	R145	D-3
CR103	F-4	R114	B-2	R146	D-4
CR104	G-3	R115	C-2	R147	D-4
CR105	B-3	R116	C-2	R148	A-2
CR106	C-3	R117	D-3	R149	D-3
CR107	E-2	R118	C-4		
CR108	E-2	R119	C-2		
CR109	D-2	R120	B-3	S101	G-2
CR110	A-1	R121	B-3	S102	B-2
		R122	C-3	S103	C-1
DS101	E-1	R123	C-3	S104	E-3
DS102	F-1	R125	D-2	S105	A-2
DS103	C-1	R126	D-2	S106	C-3
DS104	G-4	R127	D-2	S107	D-4
		R128	A-2		
F101	E-1	R129	A-4	U102	C-3
		R130	D-2	U103	B-3
Q101	F-3	R131	A-3	U104	E-2

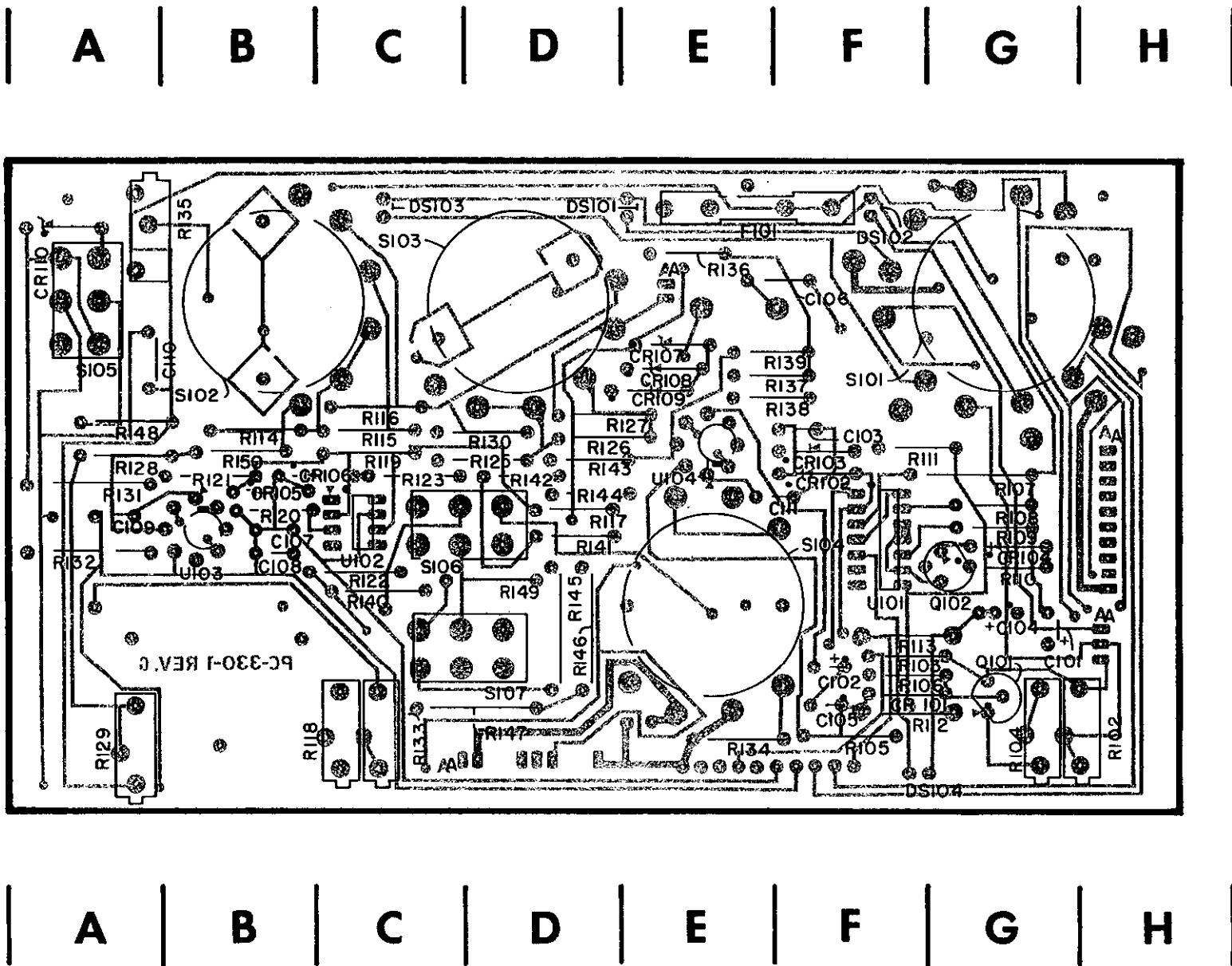
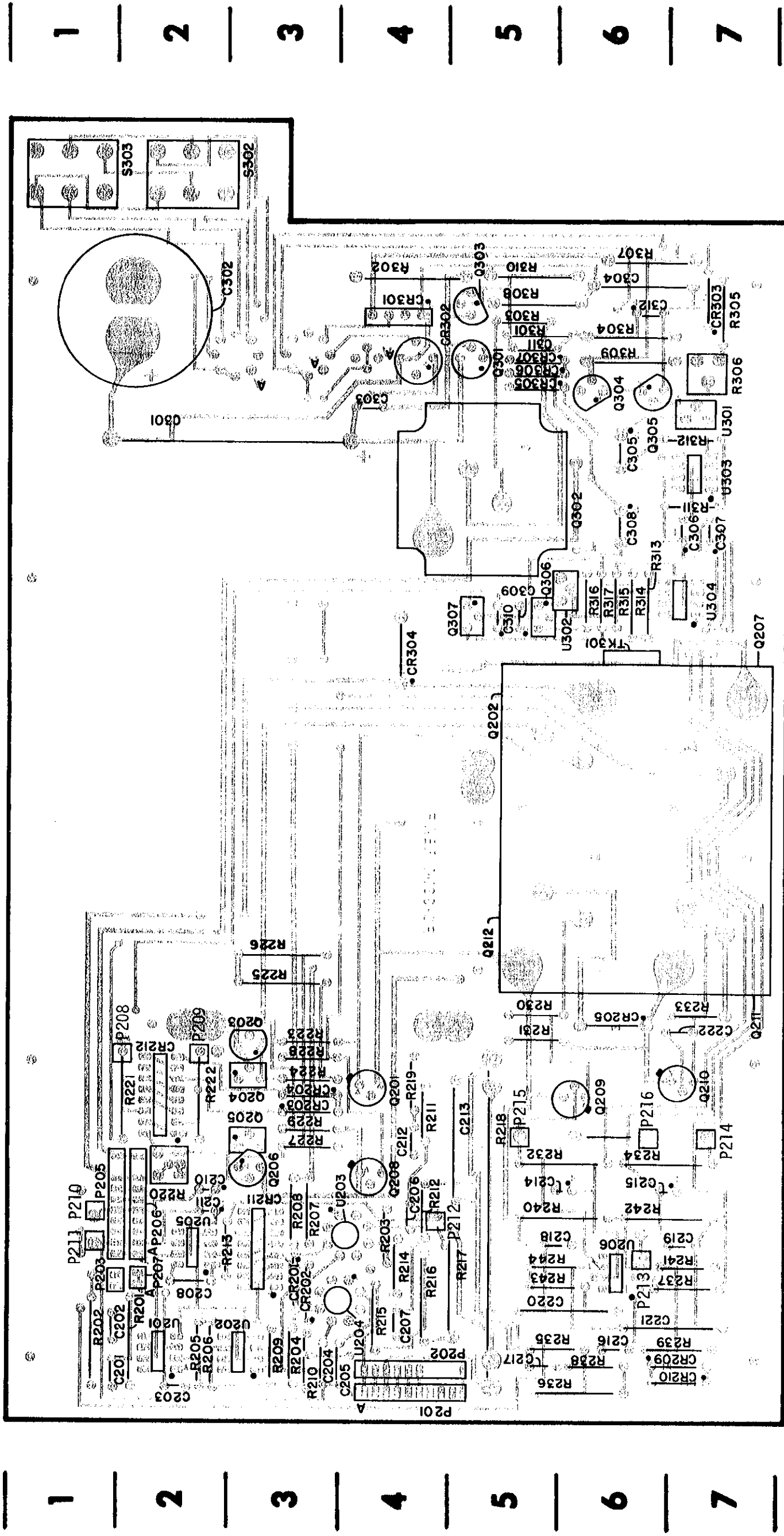


FIGURE 33. Component Layout, PC-330.

## COMPONENTS LOCATED ON PC-331

Circuit Desig.	Location Code	Circuit Desig.	Location Code	Circuit Desig.	Location Code	Circuit Desig.	Location Code
C201	A-2	CR207	C-6	Q307	H-5	R239	A-7
C202	A-2	CR208	C-7			R240	B-5
C203	A-2	CR209	A-6	R201	A-2	R241	A-7
C204	A-3	CR210	A-7	R202	A-1	R242	B-6
C205	A-4	CR211	C-3	R203	B-4	R243	B-5
C206	B-4	CR212	D-2	R204	A-3	R244	B-5
C207	A-4			R205	A-2		
C208	B-2	CR301	L-4	R206	A-2	R301	K-5
C210	C-2	CR302	K-4	R207	B-3	R302	L-4
C211	B-2	CR303	L-7	R208	B-3	R303	L-5
C212	C-4	CR304	G-4	R209	A-3	R304	K-6
C213	C-5	CR305	K-5	R210	A-3	R305	L-7
C214	C-6	CR306	K-5	R211	C-4	R306	K-7
C215	C-6	CR307	K-5	R212	B-4	R307	L-6
C216	A-6			R213	B-2	R308	L-5
C217	A-5	P201	A-4	R214	B-4	R309	K-6
C218	B-5	P202	A-4	R215	A-4	R310	L-5
C219	B-7	P203	B-1	R216	B-4	R311	J-7
C220	B-5	P205	C-1	R217	B-5	R312	J-7
C221	A-6	P206	B-2	R218	C-5	R313	H-6
C222	D-7			R219	C-4	R314	H-6
		Q201	D-4	R220	C-2	R315	H-6
C301	K-2	Q202	G-5	R221	C-2	R316	H-6
C302	L-2	Q203	D-3	R222	D-2	R317	H-6
C303	K-4	Q204	D-3	R223	D-3		
C304	L-6	Q205	D-3	R224	D-3	S302	M-1
C305	K-6	Q206	C-3	R225	E-3	S303	M-2
C306	H-7	Q207	G-7	R226	E-3		
C307	H-7	Q208	C-4	R227	C-3	TK301	H-6
C308	J-6	Q209	C-6	R228	D-3		
C309	H-5	Q210	D-7	R229	C-3	U201	A-2
C310	H-5	Q211	D-7	R230	D-5	U202	B-4
C311	K-5	Q212	E-5	R231	D-5	U203	B-4
C312	L-6			R232	C-5	U204	B-4
		Q301	K-5	R233	D-7	U205	B-2
CR201	B-3	Q302	J-5	R234	C-6	U206	B-6
CR202	A-3	Q303	L-5	R235	A-6		
CR203	C-3	Q304	K-6	R236	A-6	U301	K-7
CR204		Q305	K-6	R237	A-7	U302	H-6
CR205	D-6	Q306	H-5	R238	A-6	U303	J-7
CR206	C-6					U304	H-7

A | B | C | D | E | F | G | H | J | K | L | M



1 | 2 | 3 | 4 | 5 | 6 | 7

A | B | C | D | E | F | G | H | J | K | L | M

FIGURE 34. Component Layout, PC-331.

COMPONENTS LOCATED ON PC-342

Circuit Desig.	Location Code	Circuit Desig.	Location Code	Circuit Desig.	Location Code	Circuit Desig.	Location Code
C401	C-3	J402	D-1	R401	D-3	R423	F-1
C402	G-3	J403	G-2	R402	B-3	R424	F-1
C403	G-3	J404	C-2	R403	A-3	R425	F-1
C404	E-2	J405	E-2	R404	B-3	R426	E-3
C405	E-2	J406	G-1	R405	G-1	R427	E-3
C406	G-3			R406	A-3	R428	D-3
C407	F-2	K401	B-1	R407	A-1	R429	D-3
CR401	B-2	K402	B-3	R408	A-3	R430	D-3
CR402	B-2	K403	B-3	R409	A-3	R431	D-3
CR403	C-2	K404	C-2	R410	A-2	R432	F-3
CR404	C-2	K405	D-2	R411	G-2	R433	A-3
CR405	D-1	K406	E-2	R412	G-1	R434	G-3
CR406	E-1	K407	F-2	R413	D-3	R435	F-3
CR407	F-1	K408	G-2	R414	F-3	R436	A-2
CR408	G-2	Q401	F-3	R415	G-2	R437	A-2
CR409	A-2	Q402	D-2	R416	G-2	R438	A-2
CR410	C-3	Q403	D-3	R417	G-3	R439	G-2
CR411	C-3	Q404	F-1	R418	G-2		
CR412	B-3	Q405	B-3	R419	F-3	U401	F-3
CR413	C-3	Q406	G-3	R420	F-3	U402	B-3
CR414	G-3	Q407	C-3	R421	G-1	U403	E-3
				R422	F-1	U404	G-3
DS401	G-3					U405	G-1
DS402	G-3					U406	D-3

MODEL 227

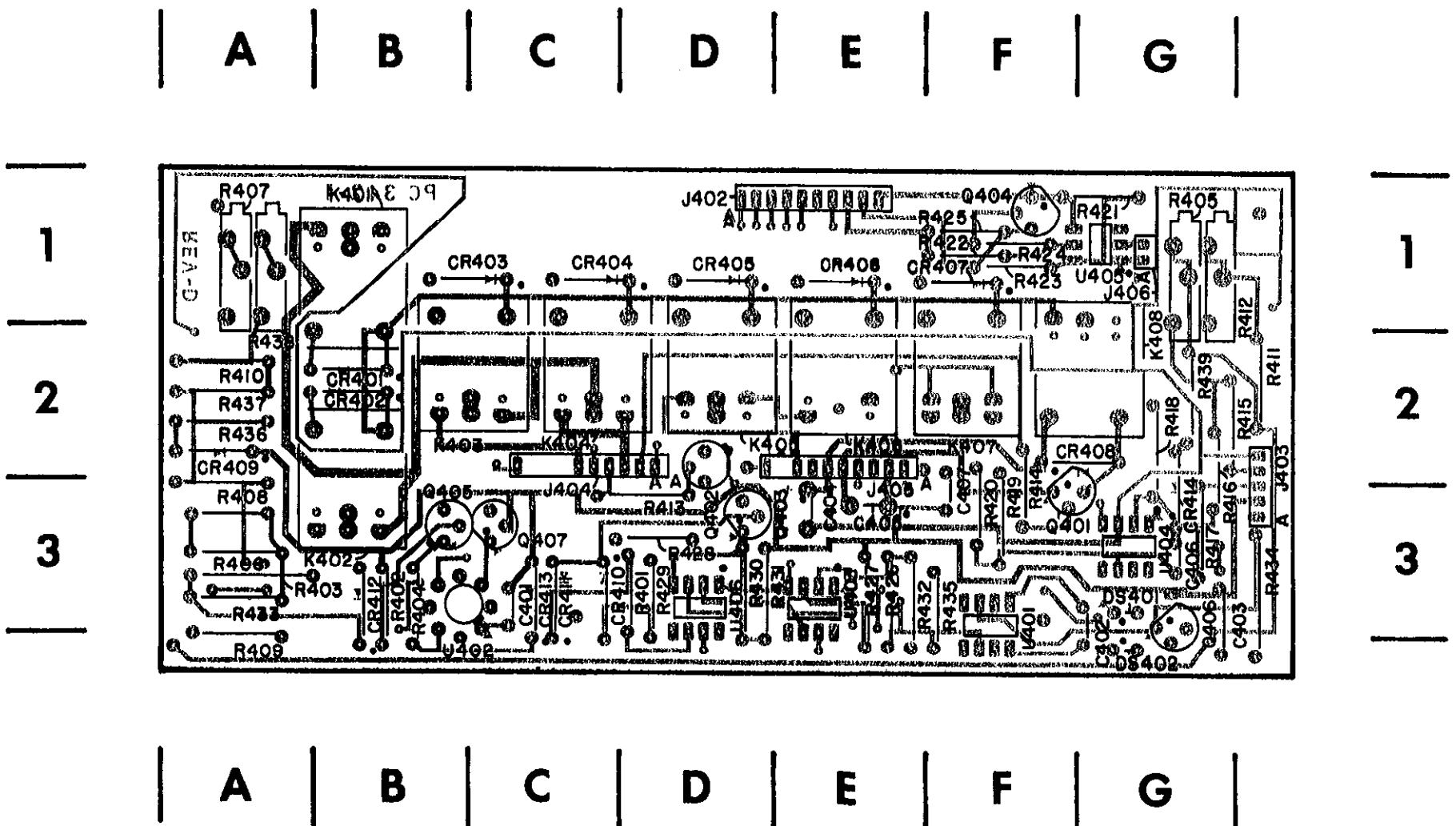


FIGURE 35. Component Layout, PC-342.



COMPONENTS LOCATED ON PC-396

Circuit Desig.	Location Code	Circuit Desig.	Location Code
C501	B-3	Q502	C-1
C502	B-2	Q503	B-3
C503	A-2	Q504	B-1
CR501	B-2	R501	B-3
CR502	B-1	R502	B-2
CR503	B-2	R503	B-1
CR504	A-3	R504	B-2
CR505	A-3	R505	A-1
P501	C-2	R506	A-2
P502	A-2	R507	A-1
Q501	C-3	R508	A-2
		R509	A-2

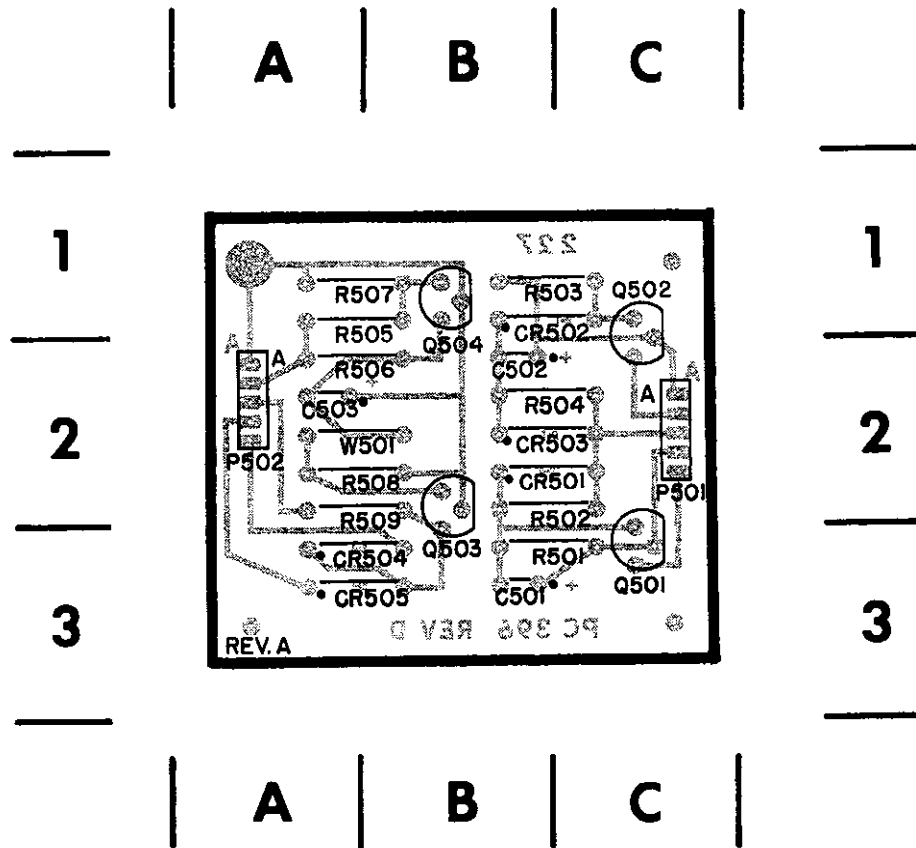
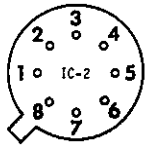
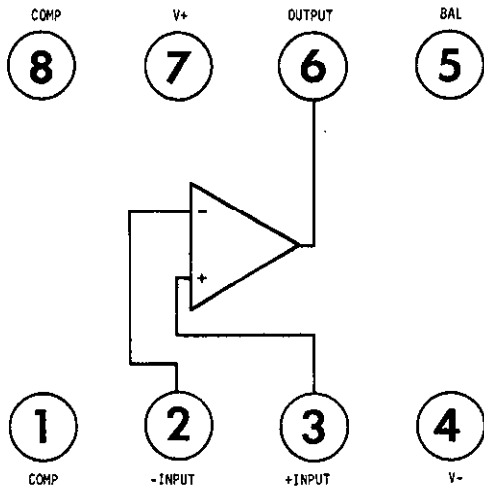
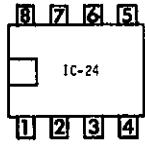


FIGURE 36. Component Layout, PC-396.

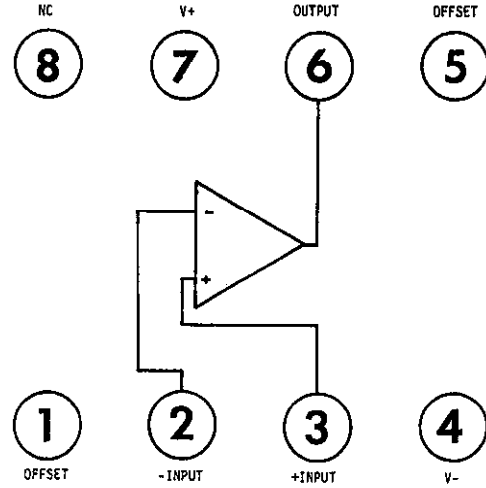
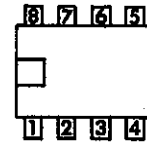
### KEITHLEY PART NO. IC-2,24



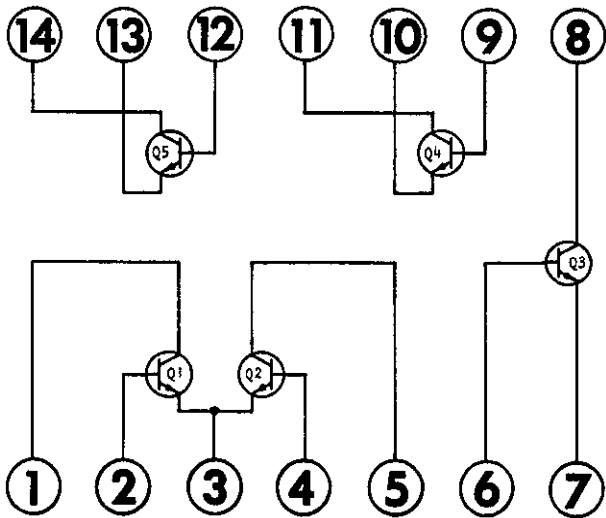
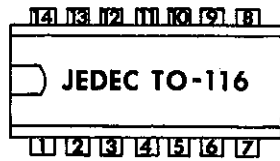
TO-99



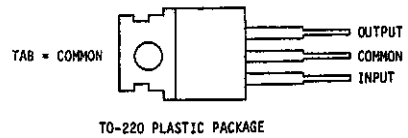
### KEITHLEY PART NO. IC-42



### KEITHLEY PART NO. IC-53



### KEITHLEY PART NO. IC-60



### LEAD DESIG. CO-1

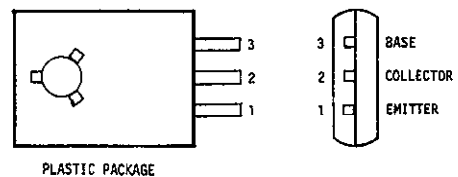


FIGURE 37. Case Outlines, Integrated Circuits.

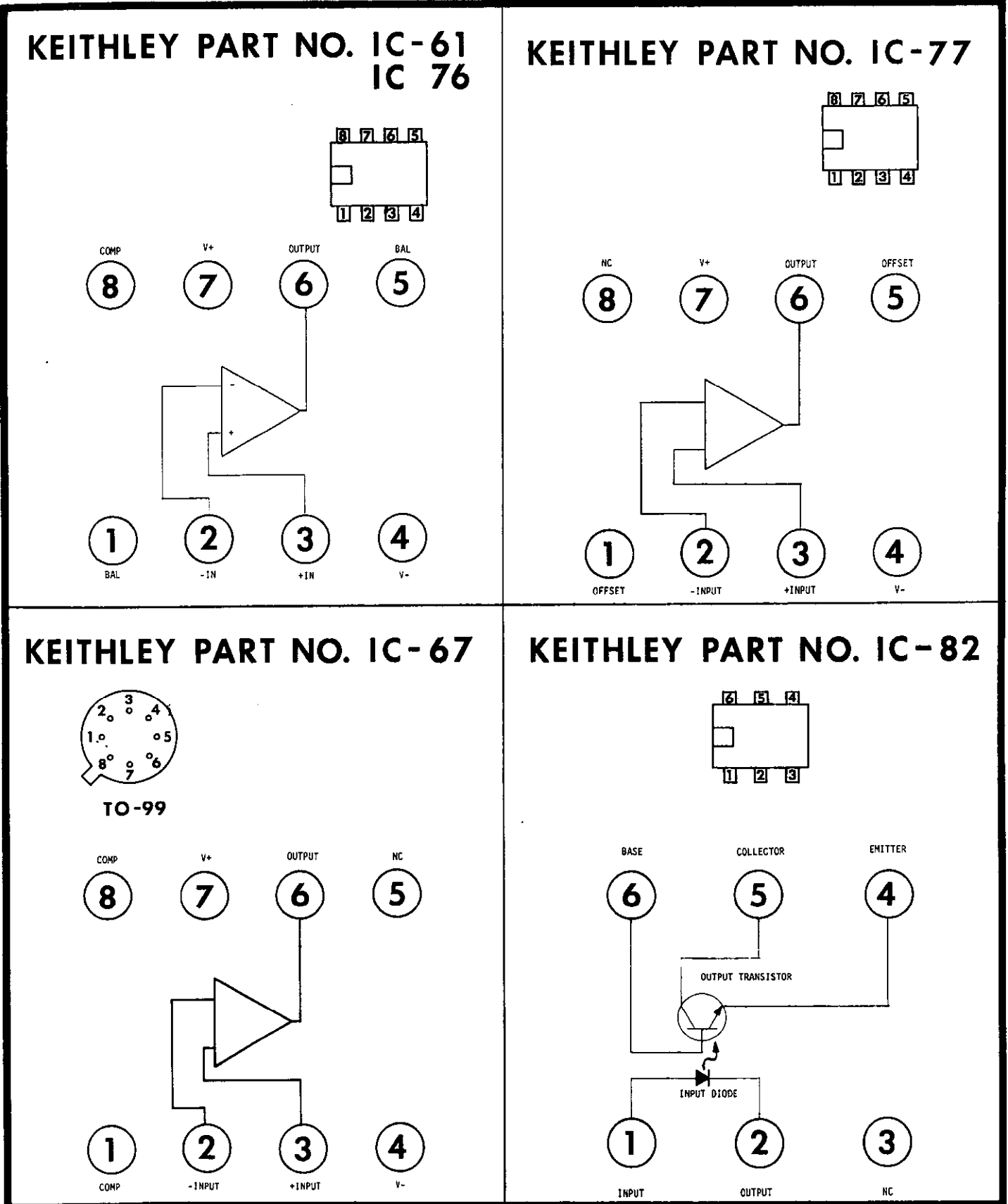


FIGURE 38. Case Outlines, Integrated Circuits.

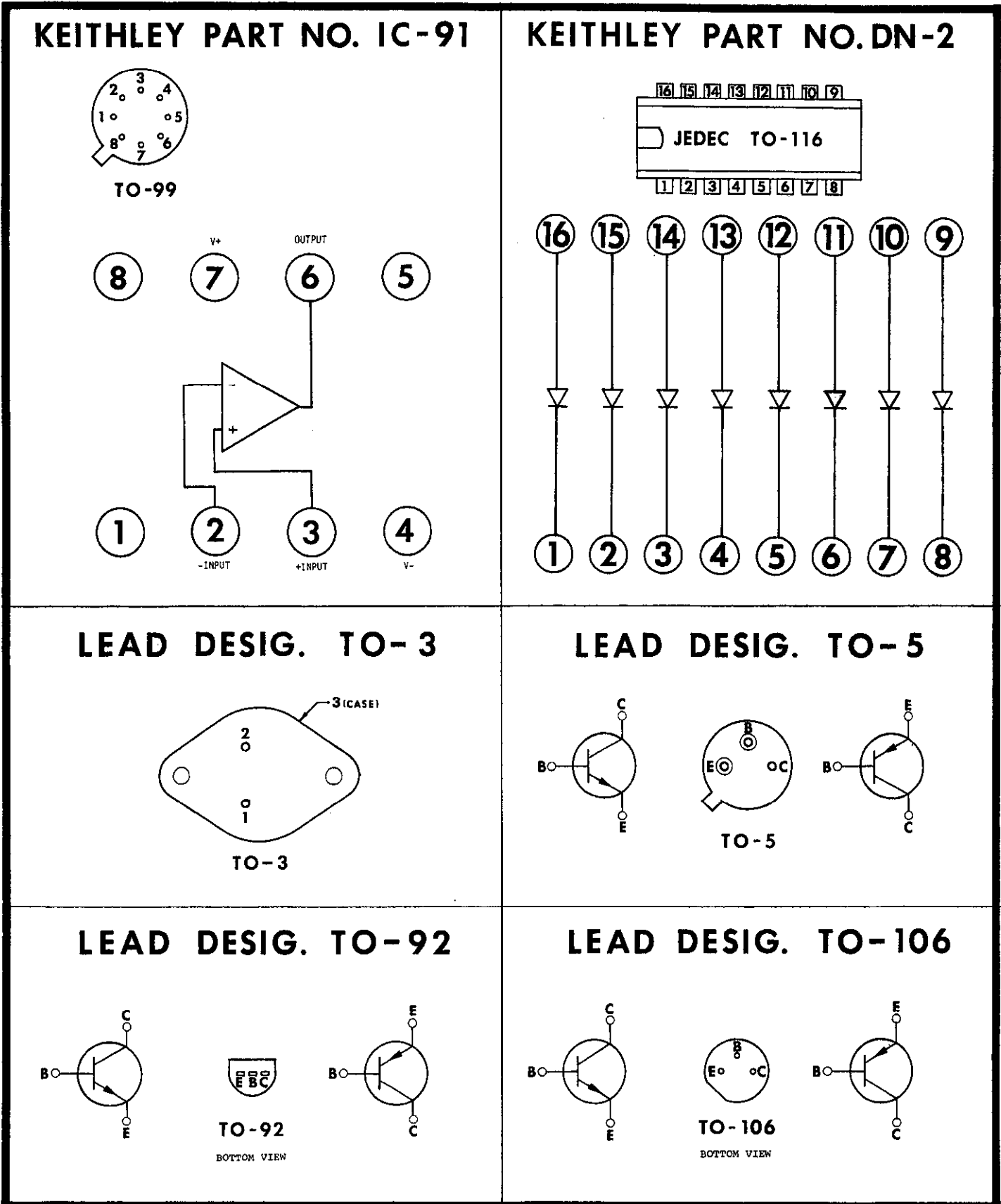
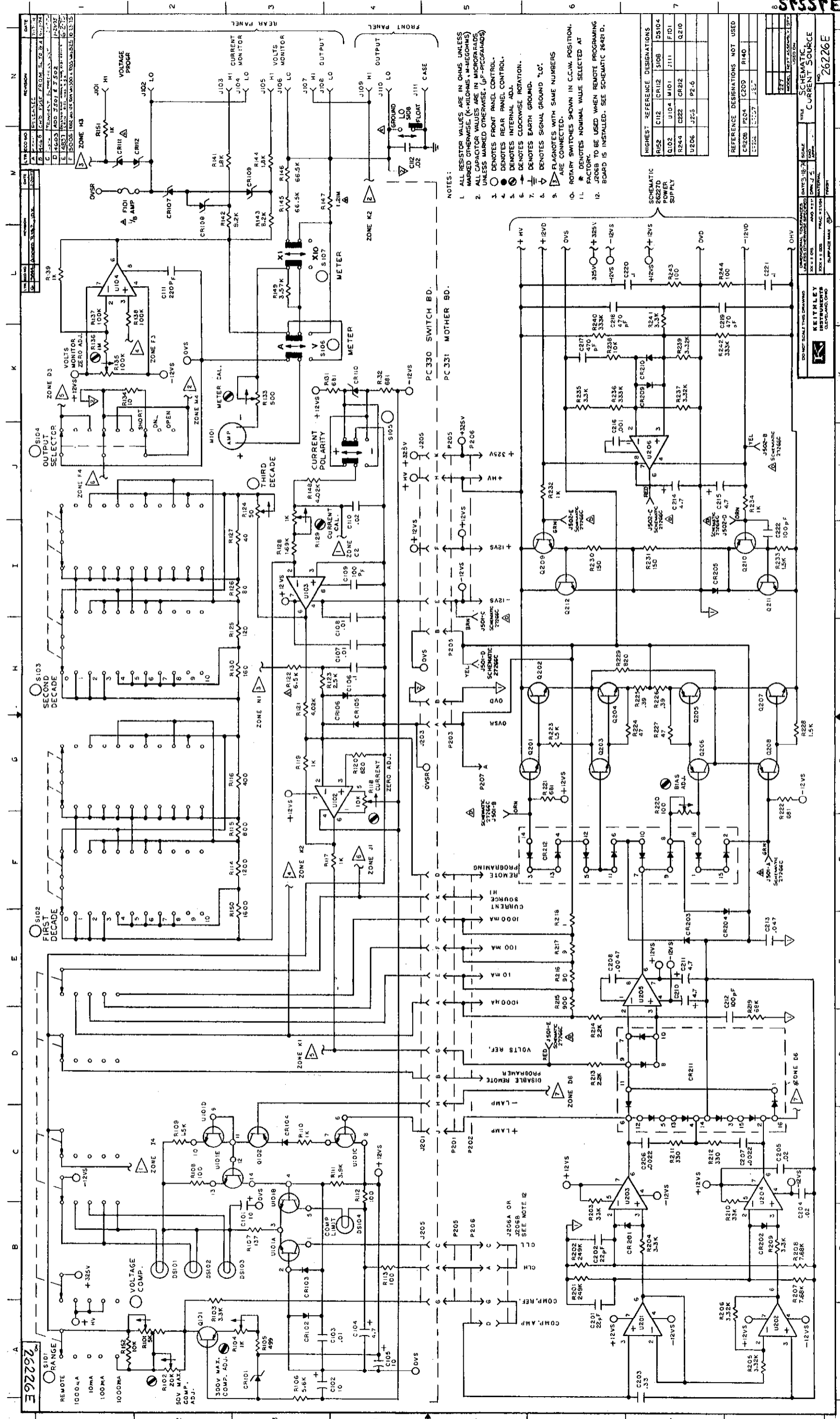


FIGURE 39. Case Outlines, Transistors.







- NOTES:
1. ALL RESISTOR VALUES ARE IN OHMS UNLESS MARKED OTHERWISE. (K=KILOHMS, M=MEG OHMS)
  2. ALL CAPACITOR VALUES ARE IN MICROFARADS UNLESS MARKED OTHERWISE. (P=PICOFARADS)
  3. ○ DENOTES FRONT PANEL CONTROL.
  4. ● DENOTES REAR PANEL CONTROL.
  5. ⊕ DENOTES INTERNAL ADJ.
  6. ⊖ DENOTES CLOCKWISE ROTATION.
  7. ⊕ DENOTES SIGNAL GROUND "I.C."
  8. ⊖ DENOTES SIGNAL GROUND "O.C."
  9. ▲ DENOTES SWITCHES WITH SAME NUMBERS ARE CONNECTED.
  10. ROTARY SWITCHES SHOWN IN C.C.W. POSITION.
  11. \* DENOTES NOMINAL VALUE SELECTED AT FACTORY.
  12. J205 TO BE USED WHEN REMOTE PROGRAMMING BOARD IS INSTALLED. SEE SCHEMATIC 2622 D.

HIGHEST REFERENCE DESIGNATIONS	
R152	C112 CR112 S108 DS104
Q102	U104 M101 J111 F101
R244	C222 CR222 Q210
U206	J205 P2-6

REFERENCE DESIGNATIONS NOT USED	
CR208	P204 CR209 R140
C224	C227
C228	C229
C230	C231
C232	C233
C234	C235
C236	C237
C238	C239
C240	C241
C242	C243
C244	C245
C246	C247
C248	C249
C250	C251
C252	C253
C254	C255
C256	C257
C258	C259
C260	C261
C262	C263
C264	C265
C266	C267
C268	C269
C270	C271
C272	C273
C274	C275
C276	C277
C278	C279
C280	C281
C282	C283
C284	C285
C286	C287
C288	C289
C290	C291
C292	C293
C294	C295
C296	C297
C298	C299
C300	C301
C302	C303
C304	C305
C306	C307
C308	C309
C310	C311
C312	C313
C314	C315
C316	C317
C318	C319
C320	C321
C322	C323
C324	C325
C326	C327
C328	C329
C330	C331
C332	C333
C334	C335
C336	C337
C338	C339
C340	C341
C342	C343
C344	C345
C346	C347
C348	C349
C350	C351
C352	C353
C354	C355
C356	C357
C358	C359
C360	C361
C362	C363
C364	C365
C366	C367
C368	C369
C370	C371
C372	C373
C374	C375
C376	C377
C378	C379
C380	C381
C382	C383
C384	C385
C386	C387
C388	C389
C390	C391
C392	C393
C394	C395
C396	C397
C398	C399
C400	C401
C402	C403
C404	C405
C406	C407
C408	C409
C410	C411
C412	C413
C414	C415
C416	C417
C418	C419
C420	C421
C422	C423
C424	C425
C426	C427
C428	C429
C430	C431
C432	C433
C434	C435
C436	C437
C438	C439
C440	C441
C442	C443
C444	C445
C446	C447
C448	C449
C450	C451
C452	C453
C454	C455
C456	C457
C458	C459
C460	C461
C462	C463
C464	C465
C466	C467
C468	C469
C470	C471
C472	C473
C474	C475
C476	C477
C478	C479
C480	C481
C482	C483
C484	C485
C486	C487
C488	C489
C490	C491
C492	C493
C494	C495
C496	C497
C498	C499
C500	C501
C502	C503
C504	C505
C506	C507
C508	C509
C510	C511
C512	C513
C514	C515
C516	C517
C518	C519
C520	C521
C522	C523
C524	C525
C526	C527
C528	C529
C530	C531
C532	C533
C534	C535
C536	C537
C538	C539
C540	C541
C542	C543
C544	C545
C546	C547
C548	C549
C550	C551
C552	C553
C554	C555
C556	C557
C558	C559
C560	C561
C562	C563
C564	C565
C566	C567
C568	C569
C570	C571
C572	C573
C574	C575
C576	C577
C578	C579
C580	C581
C582	C583
C584	C585
C586	C587
C588	C589
C590	C591
C592	C593
C594	C595
C596	C597
C598	C599
C600	C601
C602	C603
C604	C605
C606	C607
C608	C609
C610	C611
C612	C613
C614	C615
C616	C617
C618	C619
C620	C621
C622	C623
C624	C625
C626	C627
C628	C629
C630	C631
C632	C633
C634	C635
C636	C637
C638	C639
C640	C641
C642	C643
C644	C645
C646	C647
C648	C649
C650	C651
C652	C653
C654	C655
C656	C657
C658	C659
C660	C661
C662	C663
C664	C665
C666	C667
C668	C669
C670	C671
C672	C673
C674	C675
C676	C677
C678	C679
C680	C681
C682	C683
C684	C685
C686	C687
C688	C689
C690	C691
C692	C693
C694	C695
C696	C697
C698	C699
C700	C701
C702	C703
C704	C705
C706	C707
C708	C709
C710	C711
C712	C713
C714	C715
C716	C717
C718	C719
C720	C721
C722	C723
C724	C725
C726	C727
C728	C729
C730	C731
C732	C733
C734	C735
C736	C737
C738	C739
C740	C741
C742	C743
C744	C745
C746	C747
C748	C749
C750	C751
C752	C753
C754	C755
C756	C757
C758	C759
C760	C761
C762	C763
C764	C765
C766	C767
C768	C769
C770	C771
C772	C773
C774	C775
C776	C777
C778	C779
C780	C781
C782	C783
C784	C785
C786	C787
C788	C789
C790	C791
C792	C793
C794	C795
C796	C797
C798	C799
C800	C801
C802	C803
C804	C805
C806	C807
C808	C809
C810	C811
C812	C813
C814	C815
C816	C817
C818	C819
C820	C821
C822	C823
C824	C825
C826	C827
C828	C829
C830	C831
C832	C833
C834	C835
C836	C837
C838	C839
C840	C841
C842	C843
C844	C845
C846	C847
C848	C849
C850	C851
C852	C853
C854	C855
C856	C857
C858	C859
C860	C861
C862	C863
C864	C865
C866	C867
C868	C869
C870	C871
C872	C873
C874	C875
C876	C877
C878	C879
C880	C881
C882	C883
C884	C885
C886	C887
C888	C889
C890	C891
C892	C893
C894	C895
C896	C897
C898	C899
C900	C901
C902	C903
C904	C905
C906	C907
C908	C909
C910	C911
C912	C913
C914	C915
C916	C917
C918	C919
C920	C921
C922	C923
C924	C925
C926	C927
C928	C929
C930	C931
C932	C933
C934	C935
C936	C937
C938	C939
C940	C941
C942	C943
C944	C945
C946	C947
C948	C949
C950	C951
C952	C953
C954	C955
C956	C957
C958	C959
C960	C961
C962	C963
C964	C965
C966	C967
C968	C969
C970	C971
C972	C973
C974	C975
C976	C977
C978	C979
C980	C981
C982	C983
C984	C985
C986	C987
C988	C989
C990	C991
C992	C993
C994	C995
C996	C997
C998	C999
C1000	C1001

26226E

SCHEMATIC CURRENT SOURCE

DATE: 5-18-74

SCALE: 1:1

DRW: J.S.

CHK: J.S.

APP: J.S.

KEY: J.S.

REV: 1

26226E

REV	DATE	BY	CHKD
1	11/15/83	WJ	WJ
2	01/23/84	WJ	WJ
3	02/27/84	WJ	WJ

NO.	DESCRIPTION	DATE
1	ISSUED FOR CONSTRUCTION	11/15/83
2	ISSUED FOR CONSTRUCTION	01/23/84
3	ISSUED FOR CONSTRUCTION	02/27/84

NO.	DESCRIPTION	DATE
1	ISSUED FOR CONSTRUCTION	11/15/83
2	ISSUED FOR CONSTRUCTION	01/23/84
3	ISSUED FOR CONSTRUCTION	02/27/84

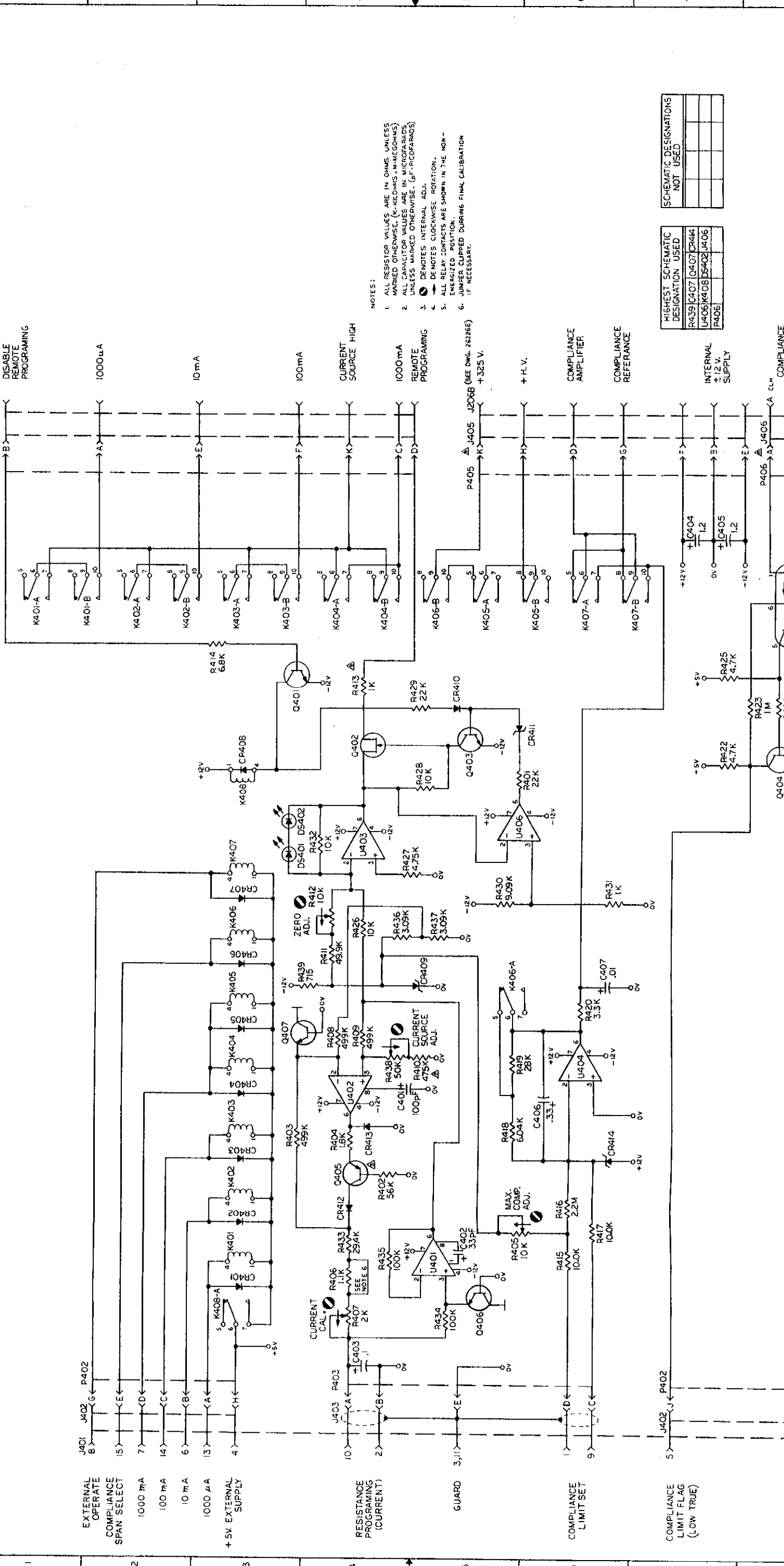
NO.	DESCRIPTION	DATE
1	ISSUED FOR CONSTRUCTION	11/15/83
2	ISSUED FOR CONSTRUCTION	01/23/84
3	ISSUED FOR CONSTRUCTION	02/27/84

NO.	DESCRIPTION	DATE
1	ISSUED FOR CONSTRUCTION	11/15/83
2	ISSUED FOR CONSTRUCTION	01/23/84
3	ISSUED FOR CONSTRUCTION	02/27/84

NO.	DESCRIPTION	DATE
1	ISSUED FOR CONSTRUCTION	11/15/83
2	ISSUED FOR CONSTRUCTION	01/23/84
3	ISSUED FOR CONSTRUCTION	02/27/84

NO.	DESCRIPTION	DATE
1	ISSUED FOR CONSTRUCTION	11/15/83
2	ISSUED FOR CONSTRUCTION	01/23/84
3	ISSUED FOR CONSTRUCTION	02/27/84

NO.	DESCRIPTION	DATE
1	ISSUED FOR CONSTRUCTION	11/15/83
2	ISSUED FOR CONSTRUCTION	01/23/84
3	ISSUED FOR CONSTRUCTION	02/27/84



- NOTES:
1. ALL RESISTOR VALUES ARE IN OHMS UNLESS MARKED OTHERWISE. (K-KILOHMS, M-MEGOHMS)
  2. ALL CAPACITOR VALUES ARE IN MICROFARADS UNLESS MARKED OTHERWISE. (P-PICOFARADS)
  3. ⚡ DENOTES INTERNAL ADJ.
  4. ⚡ DENOTES CLOCKWISE ROTATION.
  5. ALL RELAY CONTACTS ARE SHOWN IN THE NON-ENERGIZED POSITION.
  6. JUMPER CLIPPED DURING FINAL CALIBRATION IF NECESSARY.

HIGHEST SCHEMATIC DESIGNATION USED	R439	U407	Q407	CR444
	U406	K408	DS402	U406
	P406			

SCHEMATIC DESIGNATIONS NOT USED				

NO.	DESCRIPTION	DATE
1	ISSUED FOR CONSTRUCTION	11/15/83
2	ISSUED FOR CONSTRUCTION	01/23/84
3	ISSUED FOR CONSTRUCTION	02/27/84

NO.	DESCRIPTION	DATE
1	ISSUED FOR CONSTRUCTION	11/15/83
2	ISSUED FOR CONSTRUCTION	01/23/84
3	ISSUED FOR CONSTRUCTION	02/27/84

NO.	DESCRIPTION	DATE
1	ISSUED FOR CONSTRUCTION	11/15/83
2	ISSUED FOR CONSTRUCTION	01/23/84
3	ISSUED FOR CONSTRUCTION	02/27/84

NO.	DESCRIPTION	DATE
1	ISSUED FOR CONSTRUCTION	11/15/83
2	ISSUED FOR CONSTRUCTION	01/23/84
3	ISSUED FOR CONSTRUCTION	02/27/84

NO.	DESCRIPTION	DATE
1	ISSUED FOR CONSTRUCTION	11/15/83
2	ISSUED FOR CONSTRUCTION	01/23/84
3	ISSUED FOR CONSTRUCTION	02/27/84

NO.	DESCRIPTION	DATE
1	ISSUED FOR CONSTRUCTION	11/15/83
2	ISSUED FOR CONSTRUCTION	01/23/84
3	ISSUED FOR CONSTRUCTION	02/27/84

NO.	DESCRIPTION	DATE
1	ISSUED FOR CONSTRUCTION	11/15/83
2	ISSUED FOR CONSTRUCTION	01/23/84
3	ISSUED FOR CONSTRUCTION	02/27/84

380992 26608E

EXTERNAL OPERATE  
COMPLIANCE SPAN SELECT  
1000 mA  
100 mA  
10 mA  
1000 μA  
+5V EXTERNAL SUPPLY

RESISTANCE PROGRAMMING (CURRENT)  
GUARD  
COMPLIANCE LIMIT SET  
COMPLIANCE LIMIT FLAG (LOW TRUE)  
EXTERNAL +5V GROUND

DISABLE REMOTE PROGRAMMING  
1000 μA  
10 mA  
100 mA  
CURRENT SOURCE HIGH  
1000 mA REMOTE PROGRAMMING  
+ H.V.  
COMPLIANCE AMPLIFIER  
COMPLIANCE REFERENCE  
INTERNAL ±12V SUPPLY  
COMPLIANCE LIMIT

DATE: 11/15/83  
SCALE: 1:1  
DRAWN: WJ  
CHECKED: WJ  
APPROVED: WJ  
NO. 26608E  
TITLE: SCHEMATIC PROGRAMMING OPTION



KEITHLEY INSTRUMENTS, INC.  
28775 AURORA ROAD  
CLEVELAND, OHIO 44139  
**SERVICE FORM**

MODEL NO. \_\_\_\_\_ SERIAL NO. \_\_\_\_\_ P.O. NO. \_\_\_\_\_ DATE \_\_\_\_\_ R- \_\_\_\_\_  
NAME \_\_\_\_\_ PHONE \_\_\_\_\_  
COMPANY \_\_\_\_\_  
ADDRESS \_\_\_\_\_ CITY \_\_\_\_\_ STATE \_\_\_\_\_ ZIP \_\_\_\_\_

1. Describe problem and symptoms using quantitative data whenever possible (enclose readings, chart recordings, etc.) \_\_\_\_\_

\_\_\_\_\_ (Attach additional sheets as necessary).

2. Show a block diagram of your measurement system including all instruments connected (whether power is turned on or not). Also describe signal source.

3. List the positions of all controls and switches on both front and rear panels of the instrument. \_\_\_\_\_

4. Describe input signal source levels, frequencies, etc. \_\_\_\_\_

5. List and describe all cables used in the experiment (length, shielding, etc.).

6. List and describe all other equipment used in the experiment. Give control settings for each. \_\_\_\_\_

7. Environment:  
Where is the measurement being performed? (Factory, controlled laboratory, out-of-doors, etc.) \_\_\_\_\_  
What power line voltage is used? \_\_\_\_\_ Variation? \_\_\_\_\_ Frequency? \_\_\_\_\_  
Ambient temperature? \_\_\_\_\_ °F. Variation? \_\_\_\_\_ °F. Rel. Humidity? \_\_\_\_\_  
Other \_\_\_\_\_

8. Additional Information. (If special modifications have been made by the user, please describe below.) \_\_\_\_\_





**Test Instrumentation Group, Keithley Instruments, Inc. • 28775 Aurora Road • Cleveland, Ohio 44139 • (216) 248-0400 • Fax: (216) 248-6168**

**CHINA:** Keithley Instruments, Inc. • Holiday Inn Lido • Office Building 404C • Beijing, China, 100004 • 8610-436-2871/2860 • 8610-436-2871

**FRANCE:** Keithley Instruments SARL • 3 Allée des Garays • B.P. 60 • 91122 Palaiseau Cédex • 01-60-11-51-55 • Fax: 01-60-11-77-26

**GERMANY:** Keithley Instruments GmbH • Landsberger Str. 65 • 82110 Germering • 089-849307-0 • Fax: 089-84930759

**GREAT BRITAIN:** Keithley Instruments, Ltd. • The Minster • 58 Portman Road • Reading, Berkshire RG30 1EA • 01734-575666 • Fax: 01734-596469

**ITALY:** Keithley Instruments SRL • Viale S. Gimignano 38 • 20146 Milano • 02-48303008 • Fax: 02-48302274

**JAPAN:** Keithley Instruments Far East KK • Sumiyoshi 24 Bldg., Room 201 • 2-24-2 Sumiyoshi-cho • Naka-ku, Yokohama 231 • 81-45-201-2246 • Fax: 81-45-201-2247

**NETHERLANDS:** Keithley Instruments BV • Avelingen West 49 • 4202 MS Gorinchem • Postbus 559 • 4200 AN Gorinchem • 01830-35333 • Fax: 01830-30821

**SWITZERLAND:** Keithley Instruments SA • Kriesbachstrasse 4 • 8600 Dübendorf • 01-821-9444 • Fax: 01-820-3081