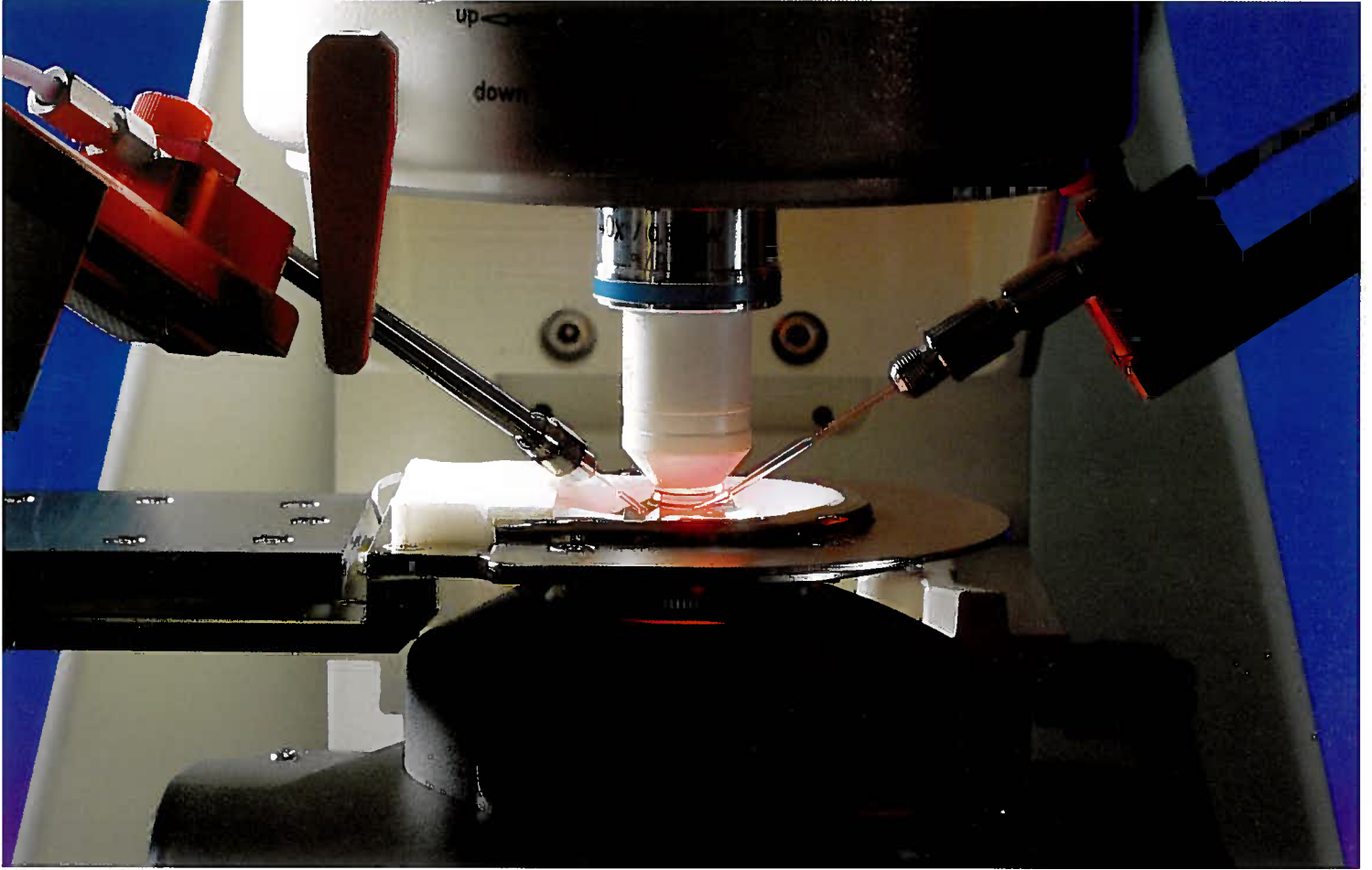


# Axioskop 2 FS Research Microscope



First Choice  
In Physiology



# Axioskop 2 FS.

## Efficient & Ergonomic. Fast & Flexible.

Optical excellence.

Powerful performance that adds greater detail, speed and reliability to your observation.

Ergonomical design ensuring rational and comfortable work.

Flexibility with designed-in retrofitting capability.

All this is provided in an instrument that allows you to carry out complex investigations easily and without restrictions: the Axioskop 2 FS.

### Simply exciting: Fluorescence.

Load the 4-place reflector turret with the modules of your choice, and switch between them with a flick of the wrist, with no fear of vibration. Multiple-fluorescence images are exactly in register.

The Axioskop 2 FS has the features that make it ideal for all modern fluorescence techniques: 6-place excitation filter slide for added flexibility. Space-saving, easily accessible lamp centering aid for epi-illumination.



Redesigned beam path for maximum brightness. Continuous brightness control with the AttoArc unit. DIC by a flick of a switch ... Axioskop 2 FS is perfectly prepared for quick-and-easy module retrofitting.

### Basis for success: The stand.

Nothing can shake the stable, wide-footprint stand of the Axioskop 2 FS. The XY stage drive controls remain at their fixed location while the stage is moved.

The stand is designed to readily accommodate reflected-light systems, and it comes with a 4-place reflector turret in which you can insert modules for the various techniques you want to employ.

Full compatibility with the tubes, stages, condensers, objectives and eyepieces of the Zeiss microscope range is a matter of course.

### First class: The illumination.

With the external power pack, electric fields stand no chance of interfering.

The 12 V/100 W halogen illuminator provides optimum brightness in transmitted-light microscopy. It is easy to change and convenient to adjust.

Extra brightness for fluorescence applications is provided by the new HBO 103, a 100 W mercury vapor lamp. With either lamp, the AttoArc system provides continuous brightness control between 100 % and 15 %.

And finally: LED pilot lights on the stand indicate readiness for operation, lamp voltage and color temperature. With the Axioskop 2 FS, it is easy to be in the picture at any time.



Axioskop 2 FS with IR camera



# Axioskop 2 FS.

## For Higher Efficiency In Research.

The reputation of Carl Zeiss as the leading manufacturer of special microscopes for physiological research is backed by more than twenty years of experience in this field. Throughout this time, Carl Zeiss has successfully substantiated its claim to provide physiologists with research instruments that meet the highest technical and optical standards.

Vital sections with thicknesses up to 300  $\mu\text{m}$  are common practice today. Here, the limits of inverted microscopes become evident. By contrast, the **Axioskop 2 FS** has everything you need for successful research in any field of application. With its stationary stage, it is fit for any type of specimen and offers ample space for manipulation. The arrangement and focusing of the ICS infinity objectives – now as before peerless in quality – do not interfere with the experimental setup in any phase of the examination.

**Axioskop 2 FS** means prime quality images, greater speed, higher productivity, and operation on a truly professional level.

### Measure of performance: The optics.

The **Axioskop 2 FS** comes with a universal achromatic-aplanatic turret condenser that suits objectives from 1.25x to 100x. Its seven turret positions permit fast change between all contrasting techniques – brightfield, darkfield, DIC and phase contrast.

Another highly practical feature, the reflector turret can be loaded with Optovar modules for secondary magnification.

A wide variety of ICS infinity objectives of different quality grades are available to suit your application. Common to all is a visual field that is optimum in size.

### Powerful: The objectives.

With Carl Zeiss water immersion objectives, your experiments will be twice the pleasure. Enjoy the convenience of long working distances plus the satisfaction of bright images of superb contrast and resolution.



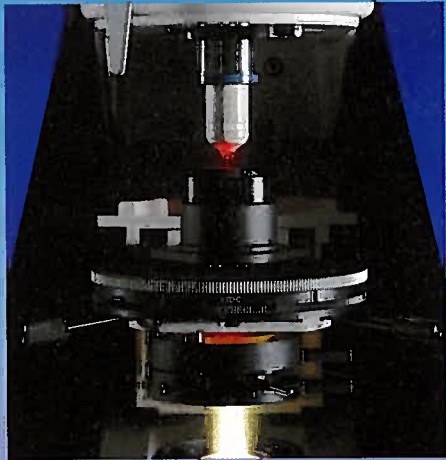
**Fast, easy, ergonomic:  
The controls.**

Every control of the Axioskop 2 FS is within convenient reach for smooth, straightforward manipulation.

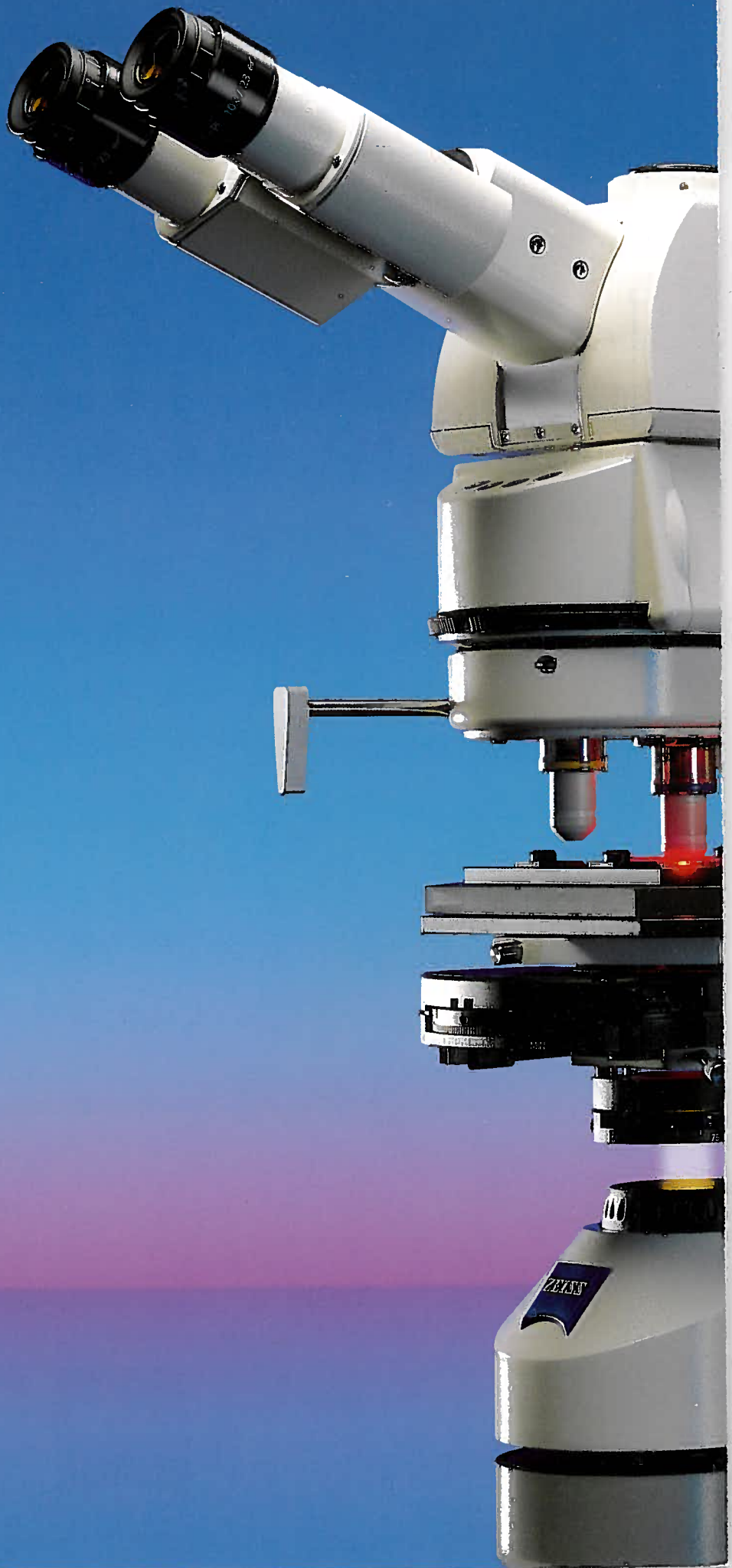
The stage drive, for example, is an ergonomic gem: Irrespective of the XY position of the stage, the drive knob stays where it is.

**Simply ingenious:  
The universal condenser.**

This leaves nothing to be desired: Seven places for all transmitted-light techniques, including phase and differential interference contrast, the latter with the practical Sénarmont compensator. You can switch between techniques in no time, and use objectives from 10x to 100x.



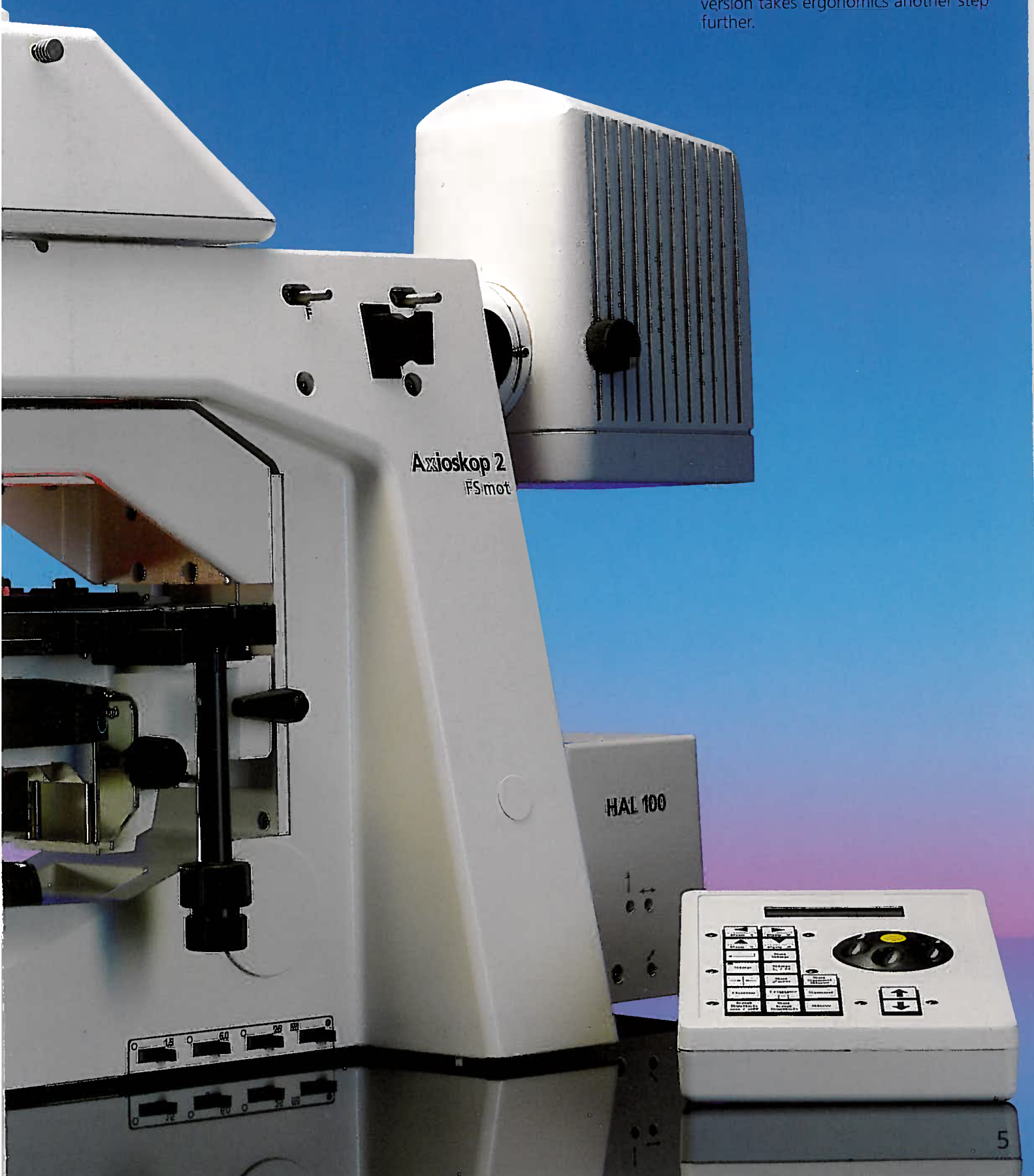
*Sénarmont-type DIC facility*





# Turns Research Into A Pleasure: Axioskop 2 FS MOT.

Over and above the convenience afforded by the manual Axioskop 2 FS, the motorized Axioskop 2 FS MOT version takes ergonomics another step further.



### **Pushbutton focusing.**

Sensitive, extremely precise, multi-functional and highly convenient. Four freely programmable focal planes to make your investigations a lot easier. Freely selectable end positions to speed up objective focusing. Objective homing function for trouble-free change of your experimental setup. Everything at the touch of a button!

### **Axioskop 2 FS MOT with motorized focusing.**

This feature will facilitate your work in many respects. For example, the motorized Axioskop 2 FS MOT allows you to program complex examination sequences.

### **Simple handling of complex tasks:**

#### **The control console.**

The separate control console of the Axioskop 2 FS MOT is an ideal match for complex setups. It provides two speed ranges, four freely programmable focal planes, an objective homing button to provide easy access to the specimen, a motor power on/off button – Axioskop 2 FS MOT leaves nothing to be desired.

### **Unique:**

#### **The dual objective changer.**

Specially designed by Carl Zeiss for electrophysiology. Whatever action you intend – switching from low power scanning to working magnification or back, change of objectives or specimens – your experimental setup remains unaffected. And of course, the system perfectly matches your requirements for long working distances and outstanding image quality.

#### **Professional style: Change of objectives or specimens.**

Conveniently remote from the experiment, the "quick-switch" mechanism on the front side of the stand makes switching between objectives just as easy as changing them. The same applies to the changing of specimens.

The choice is yours:

### **Axioskop 2 FS.**

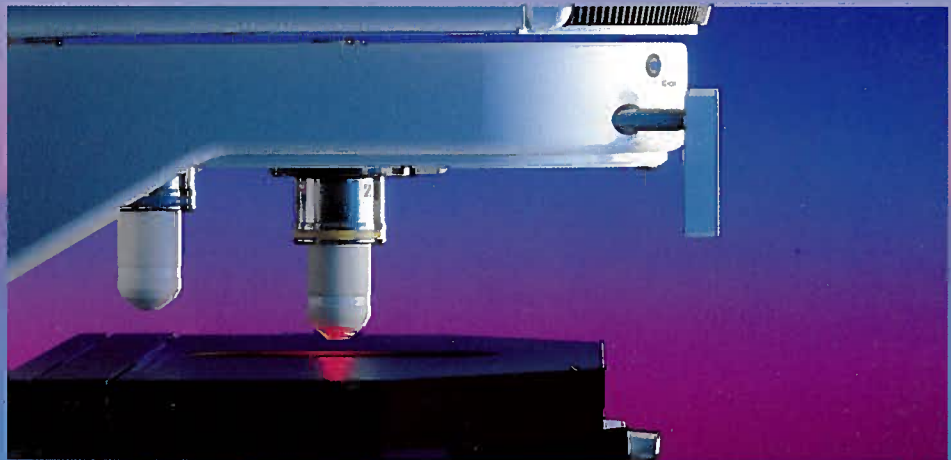
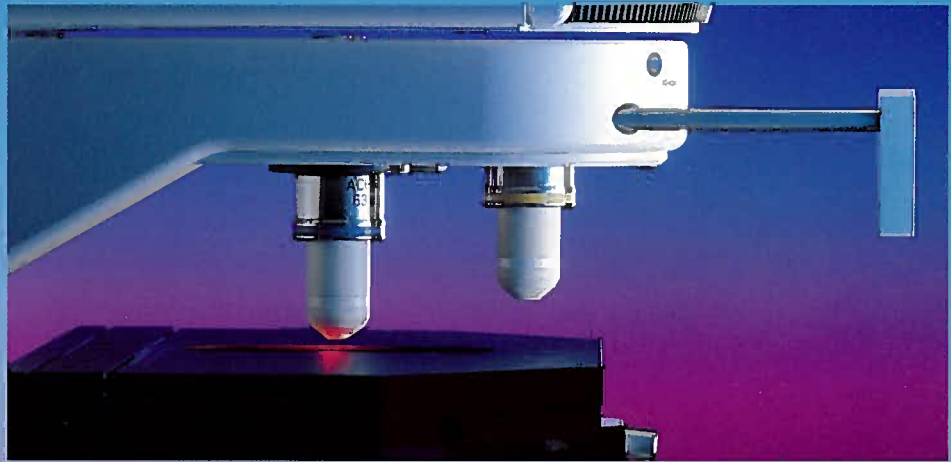
The right choice if you are looking for a research microscope of the classical manual type.

**Axioskop 2 FS satisfies your exacting demands on image quality, method flexibility and sophisticated features.**

### **Axioskop 2 FS MOT.**

Ideal if you want a research microscope with motorized functions.

**Axioskop 2 FS MOT offers you the extra ease and convenience you need during complex investigations.**



"Quick-switch" 2-place objective changer



# Axioskop 2 FS And Axioskop 2 FS MOT. The Flexible System.

## Achroplan Water immersion objectives

10x	0.30	W	Ph1	3.10*	
20x	0.50	W	Ph2	2.00	
40x	0.80	W		3.60	UV-optimized
40x	0.80	W	Ph2	3.60	UV-optimized
40x	0.80	W		3.60	IR version
63x	0.90	W		1.50	
63x	0.90	W	Ph3	1.50	
100x	1.00	W		1.00	
100x	1.00	W	Ph3	1.00	

\* Working distance (mm)

## DIC sliders for Achroplan

10x/0.30	W II
20x/0.50	W II
40x/0.80	W III
63x/0.90	W III
100x/1.0	W III

## Condensers for DIC

Achromatic condenser 0.8 H D Ph DIC, WD\* 7 mm  
Achrom.-aplan. universal condenser 0.9 H D Ph DIC,  
WD 1.3 mm

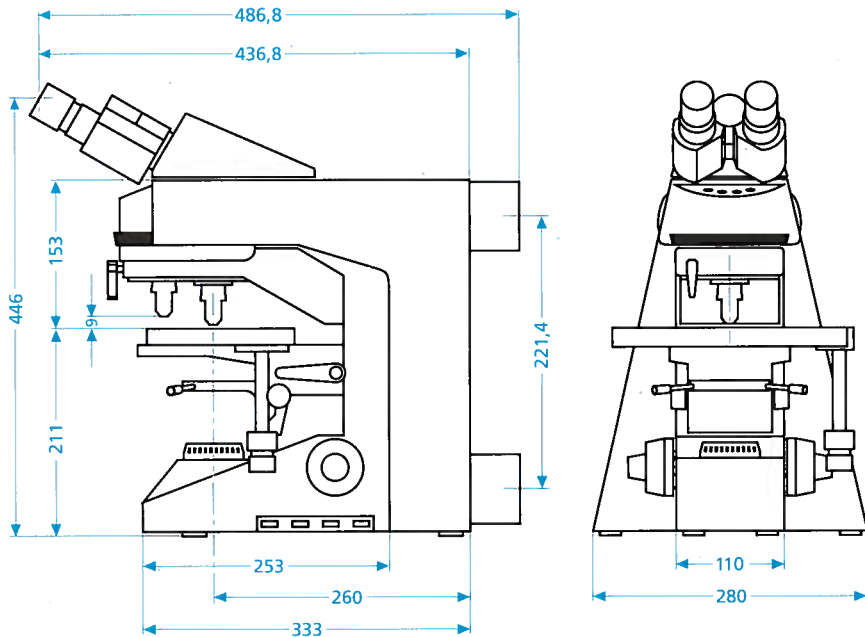
## Prisms for DIC

DIC prism III/0.8 for Senarmont  
DIC prism I/0.9 for Senarmont  
DIC prism II/0.9 for Senarmont  
DIC prism III/0.9 for Senarmont

## Polarizer/Analyzer for Axioskop 2 FS

Polarizer for DIC, Senarmont  
Analyzer module D

\*WD = working distance



## Useful objective angle

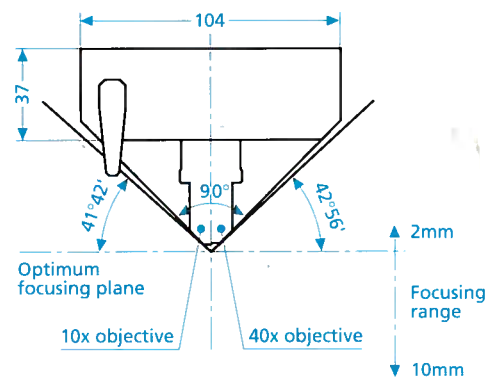


Photo credits:

- Figs. 1 + 2 Bert Sakmann, Max Planck Institute, Heidelberg  
Fig. 3 H.-U. Dodt, Max Planck Institute, Munich  
Fig. 4 Beat Gähwiler, University of Zurich

For further details, please contact:



### Carl Zeiss Microscopy

D-07740 Jena  
Phone: ++49-36 41 64-16 16  
Telefax: ++49-36 41 64-31 44  
Internet: [micro@zeiss.de](mailto:micro@zeiss.de)  
<http://www.zeiss.de>

Subject to change.

40-076 e/5.98