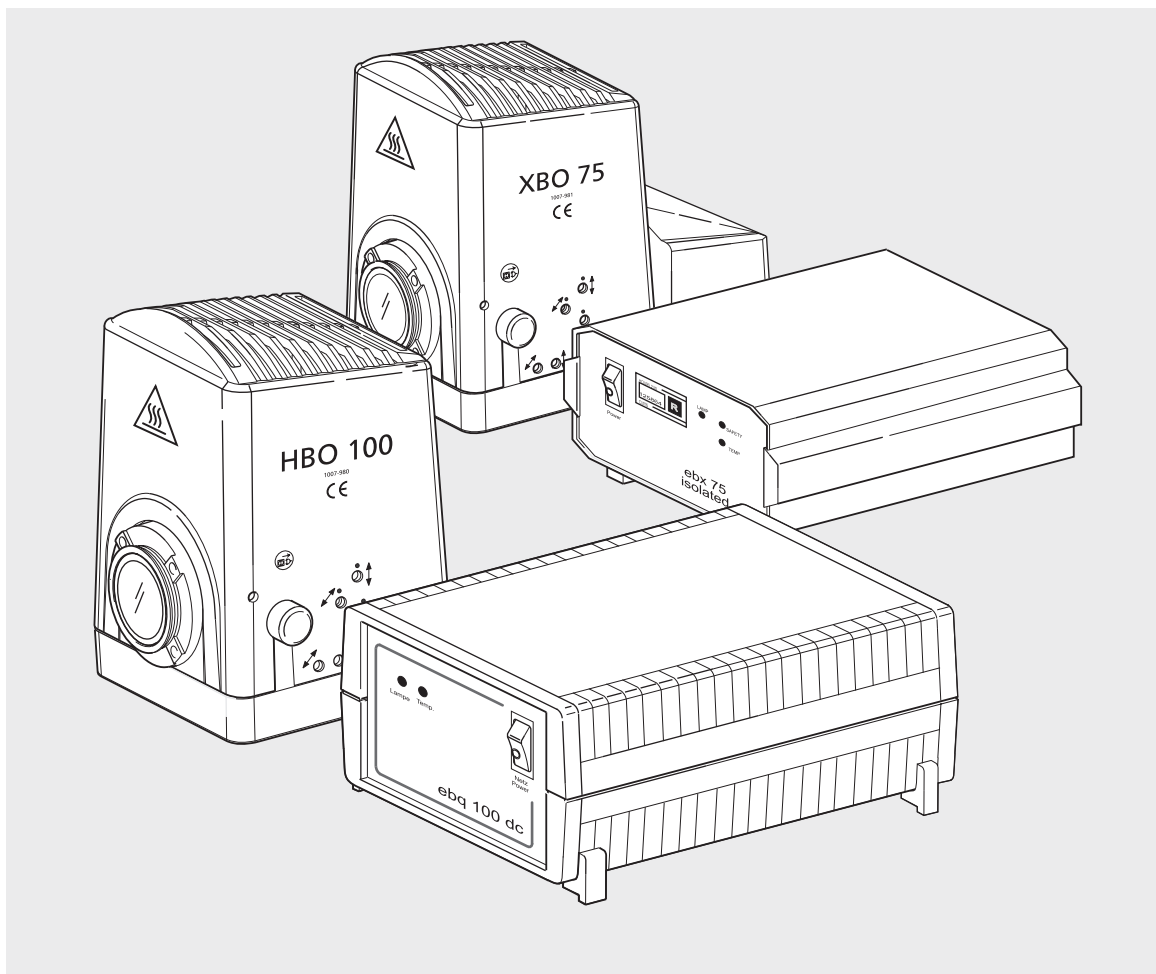


N HBO 103 and N XBO 75 Microscope Illuminating Systems



Operating Manual



Knowledge of this manual is required for the operation of the instruments. Would you therefore please make yourself familiar with the contents of this manual and pay special attention to hints concerning the safe operation of the instrument.

The specifications are subject to change.

© Unless expressly authorized, forwarding and duplication of this document, and the utilization and communication of its contents are not permitted. Violations will entail an obligation to pay compensation.

All rights reserved in the event of granting of patents or registration of a utility model.

Published by:

Carl Zeiss

Microscopy

D-07740 Jena

Phone: ++49-36 41 64-16 16

Telefax: ++49-36 41 64-31 44

E-mail: micro@zeiss.de

Internet: www.zeiss.de/micro

Number of this manual: B 40-065 e

Date of issue 08/99

Contents

1	Notes on Safety	4
1.1	General	4
1.2	Regulations concerning Instrument Safety and Electromagnetic Compatibility (EMC)	4
1.3	Notes on Unpacking, Transport and Storage.....	5
1.4	Hints on Use	5
1.5	Hints on Maintenance and Care	6
1.6	Hints on Disposal	6
1.7	Hints on Warranty	6
2	Instrument Description	7
2.1	Components of the Microscope Illuminating Systems	7
2.2	Technical Data of the Microscope Illuminating Systems.....	8
3	Start-Up	10
3.1	N HBO 103 Microscope Lamp - Lamp Insertion/Change	10
3.2	N XBO 75 Microscope Lamp - Lamp Insertion/Change	12
3.3	Start-Up of N HBO 103 Microscope Lamp.....	14
3.4	Start-Up of N XBO 75 Microscope Lamp	15
3.5	Focus and Center the HBO 103/XBO 75 Lamps in the Microscope Lamp Housing.....	16
3.6	Change the Collector.....	17

Illustrations

Fig. 1	Overall view of the N HBO 103 microscope illuminating system	7
Fig. 2	Overall view of the N XBO 75 microscope illuminating system	7
Fig. 3	Line spectrum of the HBO 100/103 mercury short-arc lamps.....	9
Fig. 4	Line spectrum of the XBO 75 xenon short-arc lamp	9
Fig. 5	Insert HBO 103 lamp	10
Fig. 6	Insert XBO 75 lamp.....	12
Fig. 7	Rear of transformer ebq 100 dc.....	14
Fig. 8	Front of transformer ebq 100 dc.....	14
Fig. 9	Rear of transformer ebq 75 isolated.....	15
Fig. 10	Front of transformer ebq 75 isolated	15
Fig. 11	Lamp arc and mirror image.....	16
Fig. 12	Adjusting components of microscope lamp housing	16
Fig. 13	Change the collector	17

Certificate for quality management system in accordance with DIN EN ISO 9001/DIN EN 46001

EC Declaration of Conformity in accordance with EC directives 73/23/EEC and 89/336/EEC

1 Notes on Safety

1.1 General

Please make yourself familiar with the contents of these operating instructions before attaching and starting up the N HBO 103 and N XBO 75 microscope illuminators. Additional information is available from our maintenance service or from authorized agencies.

The N HBO 103 and N XBO 75 microscope illuminators should be used with Zeiss microscopes exclusively.

The N HBO 103 and N XBO 75 microscope illuminators may only be handled by trained personnel.

To ensure that the illuminators function properly with the microscope, the appropriate microscope manual must be observed.

The manuals "*ebq 100 dc – Electronic transformer for the N HBO 103 microscope illuminator*" and "*ebx 75 isolated – Electronic transformer for the N XBO 75 microscope illuminator*" must be observed.

Special regard must be paid to the notes on instrument safety included in this manual.

The data sheets from the lamp manufacturers must be observed when the HBO 103 and XBO 75 lamps are operated.

To guarantee the safe operation and function of the N HBO 103 and N XBO 75 microscope illuminators, it is necessary under any circumstances to take the precaution measures and observe the warnings contained in the operating instructions.

The following symbols are used for the warnings:



CAUTION!

Non-observance of the safety notes constitutes a hazard for the user.



CAUTION!

Dangerous electrical voltage



CAUTION!

Disconnect the instrument from the line before opening it!



CAUTION!

Hot surface



CAUTION!

Non-observance of the safety notes constitutes the risk of damage to the instrument.



NOTE!

Notes which must be observed when using the N HBO 103 and N XBO 75 microscope illuminators.

1.2 Regulations concerning Instrument Safety and Electromagnetic Compatibility (EMC)

The N HBO 103 and N XBO 75 microscope illuminators have been designed and tested in compliance with EN 61010, Part 1 (VDE 0411). From the safety viewpoint, they left the factory in a perfect state.

They meet the requirements of EC directives 73/23 and 89/336 and the EMC legislation, version of Nov.9, 1992.

Radio-screened in accordance with EN 55011, Class B, insensitivity to noise in accordance with EN 50082-2.

Compliance with the EC directives mentioned is documented by the CE-certificate.

1.3 Notes on Unpacking, Transport and Storage



The lamps, especially the XBO 75, are under high pressure even if they are not switched on. They may therefore be removed from the package only if the protection mask (Cat.No. 417009) and the safety gloves with artery protection (Cat. No. 417008) are worn. The XBO 75 has an additional plastic protection sleeve which must **not** be removed when the lamp is unpacked!

For safety reasons, a safety holder is inserted in the microscope illuminator instead of the bulb during transport.

Both the N HBO 103 and N XBO 75 microscope illuminators and the HBO 103 and XBO 75 lamps must be transported in their original packaging.

This packaging and the plastic protection sleeve of the XBO 75 must be kept for storage and disposal.

The transport and storage temperatures must be observed in the same way as those of the microscope stands.

1.4 Hints on Use



- The lamps, especially the XBO 75, are under high pressure even if they are not switched on. They may only be inserted in the microscope illuminator if a safety mask and safety gloves (see *chapter 1.3*) are worn. The safety regulations of the lamp manufacturer must be observed when the XBO 75 is inserted.
- The HBO 103 and XBO 75 lamps are under high pressure during operation; they must always be operated in closed lamp housings!
- The light of the HBO 103 and XBO 75 short-arc lamps contains a high amount of UV light:
 - Never look directly into the lamp or in reflected light
 - Wear safety glasses (sunglasses) when operating the lamps
 - Cover inspection openings with filters
- The UV radiation of the lamps produces harmful ozone. This gas must be carried off to the outside via exhaust tubes and the working room supplied with fresh air.
- Both the N HBO 103 and N XBO 75 microscope illuminators and the HBO 103 and XBO 75 lamps must be protected from impact and humidity.



Instead of the HBO 103, its predecessor HBO 100 can also be used.

1.5 Hints on Maintenance and Care

To enable the microscope illuminators to function perfectly, it is necessary to use only components and spares marketed or admitted by us. When in doubt, please contact our service staff.

With the exception of the work described in this manual, the user must not perform any repairs or changes himself.

We would like to emphasize that all other changes and repairs must be performed by specially authorized personnel.

Defective instruments or components may only be repaired and maintained by our service department.



- After expiry of the **average operating time** (see *data sheets from the lamp manufacturers*), the lamps must be exchanged; there is a **risk of explosion!** The operating time of the HBO 103 and XBO 75 can be checked on the counter of the relevant transformer. (Fig. 5/Fig. 8)
The intensity of the lamps decreases when the operating time increases, i.e. homogeneous illumination of the object field can then no longer be guaranteed.
- The lamps must be exchanged as described in *chapters 3.1/3.2*.
- Before each lamp exchange, make sure to allow the N HBO 103 or N XBO 75 microscope illuminator to cool down sufficiently long in order to reduce the pressure; wait at least for **15 minutes!**

- Always disconnect the instrument from the line before each lamp exchange or any other work inside the instrument.
- The safety regulations of the lamp manufacturer must be observed when the XBO 75 is changed.
- Check the cables of the N HBO 103 and N XBO 75 when changing the lamp.
- Clean the housing of the microscope illuminator when it is dirty.



Do not use any solvents.

Soak a cleaning cloth in a mixture of water and washing-up liquid, remove the dirt and dry the housing using a clean cloth.

1.6 Hints on Disposal



Used HBO 103 and XBO 75 lamps and defective microscope illuminators should not be treated like domestic waste; they should be disposed of in their original packaging in accordance with the legal regulations.

When in doubt, please contact the Carl Zeiss microscopy service.

1.7 Hints on Warranty

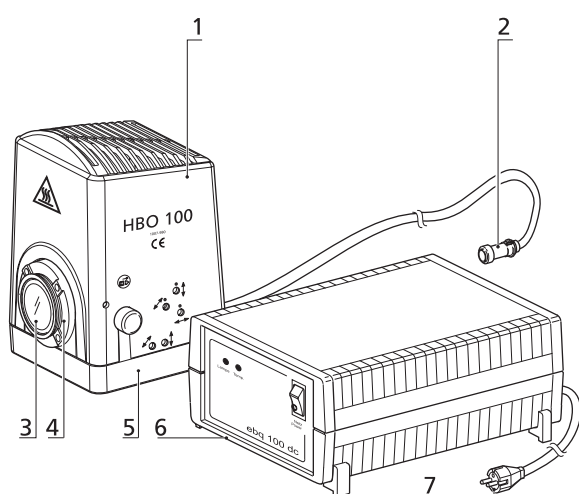
The instrument manufacturer is not liable for damage caused by unauthorized operation, particularly the removal and exchange of components, or the use of accessories from other manufacturers. This forfeits all the claims against warranty.

2 Instrument Description

2.1 Components of the Microscope Illuminating Systems

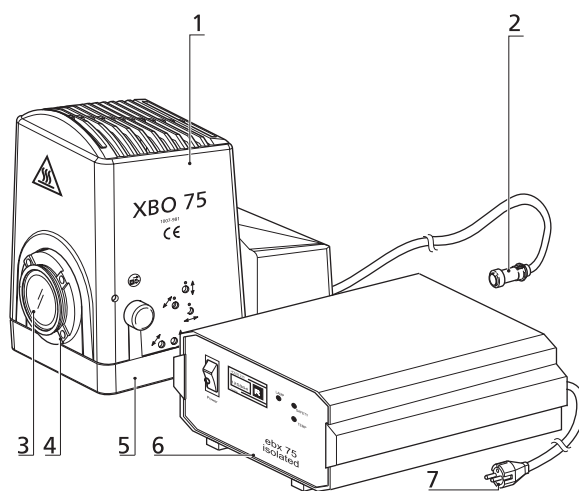
The N HBO 103 and N XBO 75 microscope illuminators include the following components (Fig. 1 / Fig. 2):

- Illuminator with:
 - dovetail for attachment to the microscope, reflector,
 - double-lens collector or quartz collector for UV light,
 - heat-protection filter
- HBO 103 W/2 mercury vapor short-arc lamp or
XBO 75 W/2 xenon short-arc lamp
- transformer ebq 100 dc for N HBO 103 or
transformer ebx 75 isolated for N XBO 75
- line cable with earth-contact plug or
line cable with American flat plug



- 1 Lamp housing
- 2 Connecting cable
- 3 Collector
- 4 Dovetail
- 5 Lamp base
- 6 Transformer ebq dc
- 7 Line cable

Fig. 1 Overall view of the N HBO 103 Microscope Illuminating System



- 1 Lamp housing
- 2 Connecting cable
- 3 Collector
- 4 Dovetail
- 5 Lamp base
- 6 Transformer ebx 75 isolated
- 7 Line cable

Fig. 2 Overall view of the N XBO 75 Microscope Illuminating System

	HBO 103	XBO 75
Microscope Illuminating Systems	Lamp N HBO 103 000000-1007-980	Lamp N XBO 75 000000-1007-981
Collector	Collector N HBO 103/XBO 75 000000-1007-976	
Quartz collector	Quartz collector N HBO 103/XBO 75 000000-1007-977	
Lamp	Mercury vapor- short-arc lamp HBO 103 W/2 380301-9350-000	Xenon- short-arc lamp XBO 75 W/2 380079-9190-000
Transformer	ebq 100 dc 000000-1003-928	ebx 75 isolated 000000-1003-924
Line cable	Line cable with earth-contact plug 380137-6750-000	
	Line cable with American flat plug 380137-6740-000	

Table: Catalogue numbers

2.2 Technical Data of the Microscope Illuminating Systems

Lamp housing	Lamp housing N HBO 103 Cat. No. 000000-1007-980	Lamp housing N XBO 75 Cat.No. 000000-1007-981
Length	163 mm	228 mm
Width	141 mm	141 mm
Height	200 mm	200 mm
Collector mount	Ø 40 mm	Ø 40 mm
Connection to stand	dovetail	dovetail
Connection to transformer	Cable with special plug	Cable with special plug
Transformer	Transformer N for HBO 103 Cat.No. 000000-1003-928	Transformer N for XBO 75 Cat. No. 000000-1003-924
Line connection	90-250 V AC	90-250 V AC
Line frequency	50-60 Hz	50-60 Hz
Power consumption	265 VA	130 VA
Fuse	F1/F2 T 3.15 A	F1/F2 T 2 A
Lamp	Mercury vapor short-arc lamp	Xenon short-arc lamp
For the technical data of the lamps please see the information provided by the manufacturer. Recommended:	OSRAM Type HBO 103 W/2 Cat. No. 380301-9350-000	OSRAM Type XBO 75 W/2 Cat. No. 417030-9010-000 Type XBO 75 W/2 Cat. No. 417030-9011-000 Hamamatsu Type Xenon lamp L217401 UV Cat.No. 380079-9190-000 Type Xenon lamp L217401 OFR Cat. No. 380053-9870-000
Average life of the lamps	OSRAM Type HBO 100 W/2 200 h Type HBO 103 W/2 300 h	OSRAM Type XBO 75 W/2 400 h Hamamatsu Type Xenon lamp 2000 h

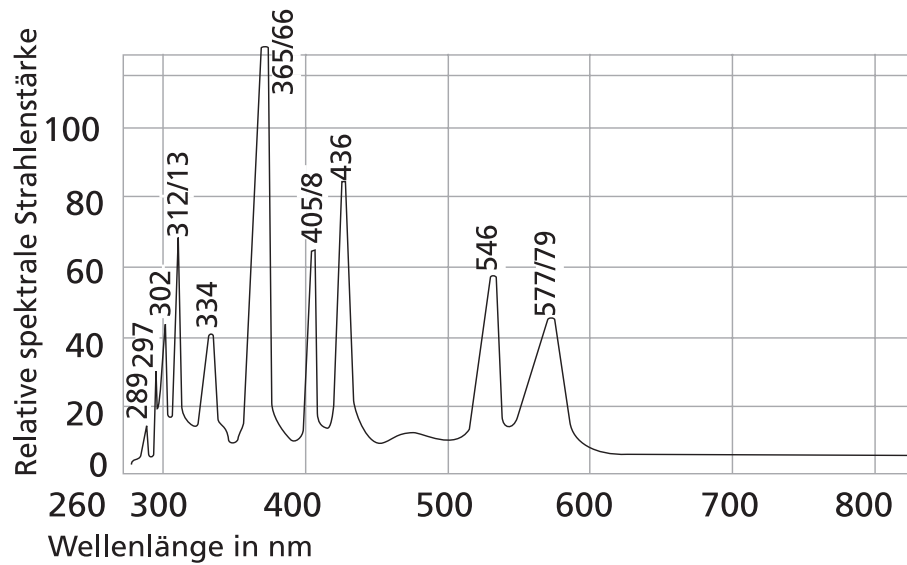


Fig. 3 Line spectrum of the HBO 100/103 mercury short-arc lamps

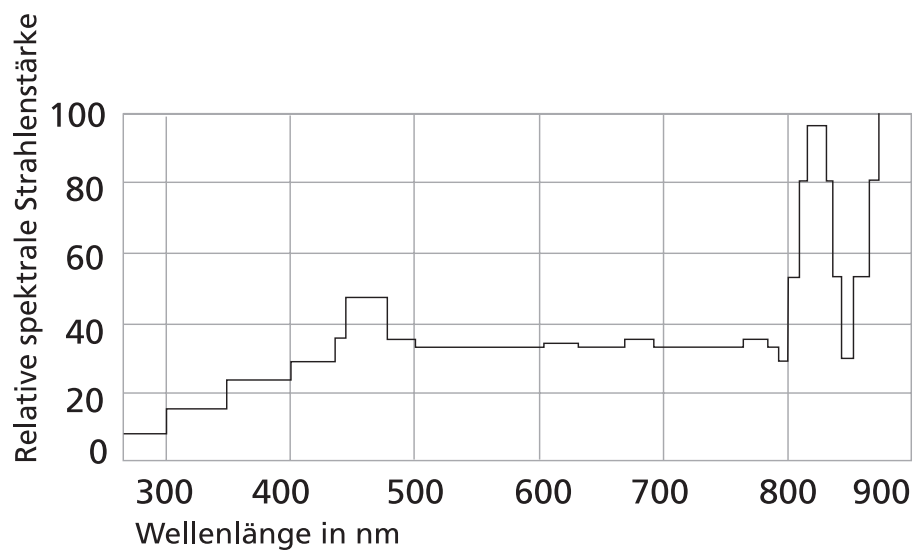


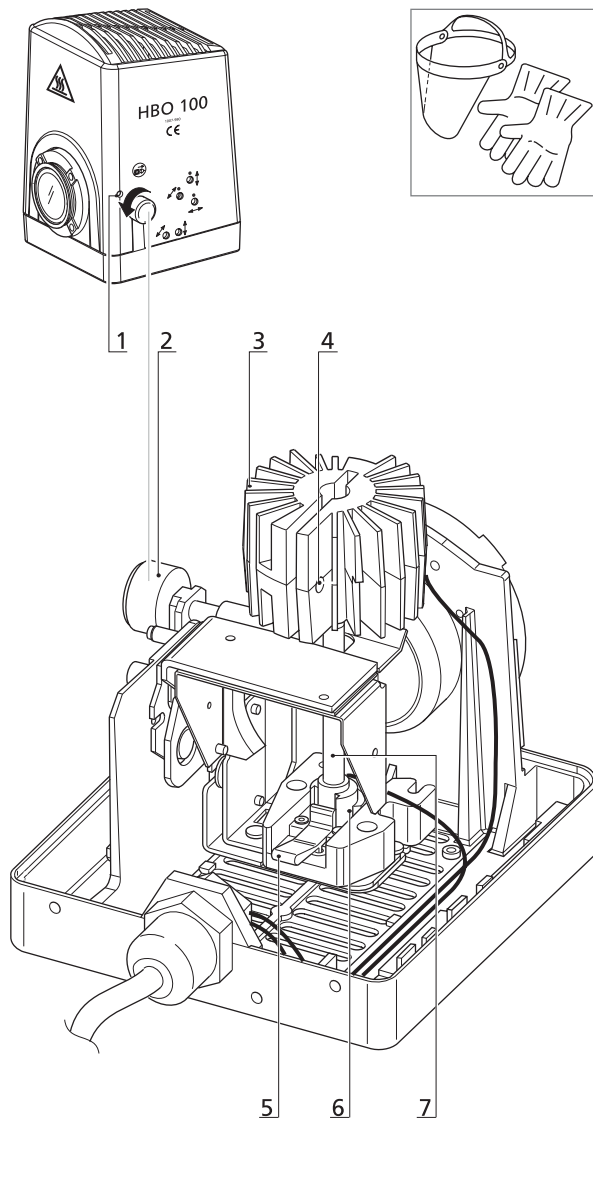
Fig. 4 Line spectrum of the XBO 75 xenon short-arc lamp

3 Start-Up

3.1 N HBO 103 Microscope Lamp Lamp Insertion/Change



- Before inserting the lamp, make sure that **no** connection to the line is available.
- The lamps may only be changed when they are cooled down; allow the microscope illuminator to cool down for 10...15 minutes to avoid the **risks of burns and explosion!**
- The lamp may only be removed from the packaging and inserted in the microscope illuminator if a protection mask and safety gloves are worn (see chapter 1.3).
- All clamping adjustments must be performed carefully; pronounced heat during operation may result in loose contacts.



- 1 Fixation screw for lamp housing
- 2 Control wheel for collector
- 3 Cooling body
- 4 Fixation screw for lamp mount in cooling body
- 5 Spring lever
- 6 Lamp mount
- 7 Lamp

Fig. 5 Insert HBO 103 lamp

Procedure:

Switch off the transformer

Disconnect the microscope lamp housing from the transformer

Allow the microscope lamp housing to cool down for 10...15 minutes

Wear protection mask and safety gloves.

Remove microscope lamp housing with cooled-down lamp from the microscope

Move collector in front position by turning the control wheel (5-2) in the direction of the arrow

Loosen fixation screw (5-1) for lamp housing; remove the lamp housing

Press spring lever (5-5) downwards to loosen the lamp locking; remove defective lamp (5-7) with cooling body (5-3) from the mount (5-6) in the lamp base.

Loosen fixation screw (5-4) on the cooling body: remove defective lamp and dispose of it in accordance with the appropriate regulations (*see section 1-6 - Notes on disposal*)

For initial start-up, remove the safety appliance first.

Insert cathode (smaller base) of the new lamp into the cooling body until stop;



When inserting the lamp, make sure to use the correct hole diameter in the cooling body; the mount in the cooling body is marked with an **H**.

Tighten the fixation screw on the cooling body.

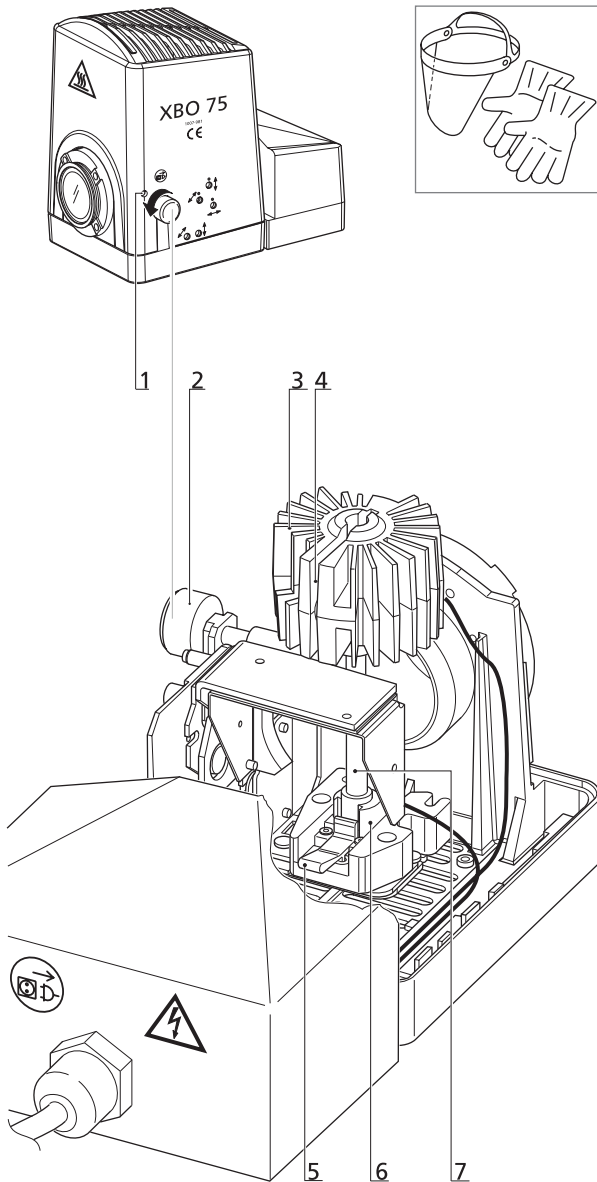
Insert lamp with cooling body in the relevant mount in the lamp base and make sure that the lateral lead to the cooling body remains accessible; use the spring lever for fixation.



Do not exert any force when inserting the lamp.

Attach lamp housing to the lamp base; make sure that the contact pin fits into the provided opening; tighten fixation screw for lamp housing.

3.2 N XBO 75 Microscope Lamp Lamp Insertion/Change



- Before inserting the lamp, make sure that **no** connection to the line is available.
- The lamps may only be changed when they are cooled down; allow the microscope illuminator to cool down for 10...15 minutes to avoid the **risks of burns and explosion!**
- The XBO 75 lamp is under high pressure even if it is not switched on. It may only be removed from the packaging and inserted in the microscope illuminator if a protection mask and safety gloves are worn. (See section 1.3)
- The safety regulations of the lamp manufacturer must be observed when the lamp is inserted or changed. (See section 1.3 - Notes on use)
- All clamping adjustments must be performed carefully; pronounced heat during operation may result in loose contacts.

- 1 Fixation screw for lamp housing
- 2 Control wheel for collector
- 3 Cooling body
- 4 Fixation screw for lamp mount in cooling body (screw is hidden in the illustration by the cooling body)
- 5 Spring lever
- 6 Lamp mount
- 7 Lamp

Fig. 6 Insert XBO 75 lamp

Procedure:

Switch off the transformer

Disconnect the microscope lamp housing from the transformer

Allow the microscope lamp housing to cool down for 10...15 minutes

Wear protection mask and safety gloves.

Remove microscope lamp housing with cooled-down lamp from the microscope

Move collector in front position by turning the control wheel (6-2) in the direction of the arrow

Loosen fixation screw (6-1) for lamp housing;
remove the lamp housing

Press spring lever (6-5) downwards to loosen the lamp locking; remove defective lamp (6-7) with cooling body (6-3) from the mount (6-6) in the lamp base;

Make sure to observe the safety regulations of the lamp manufacturer.

Loosen fixation screw (6-4) on the cooling body; remove defective lamp and dispose of it in accordance with the appropriate regulations (*see section 1-6 - Notes on disposal*)

For initial start-up, remove the safety appliance first.

Insert anode (larger base) of the lamp in the cooling body until stop;



When inserting the lamp, make sure to use the correct hole diameter in the cooling body; the mount in the cooling body is marked with an **X**.

The filling tip and, if available, the ignition wire must be positioned laterally.

Tighten fixation screw of the cooling body.

Insert lamp with cooling body in the relevant mount (6-6) in the lamp base; make sure that the lateral lead to the cooling body remains accessible and that the melting nipple does not lie in the optical axis; use the spring lever for fixation.



Do not exert any force when inserting the lamp.

Remove the plastic protection from the lamp
Attach lamp housing to the lamp base; make sure that the contact pin fits into the provided opening;
tighten fixation screw for lamp housing.

3.3 Start-Up of N HBO 103 Microscope Lamp

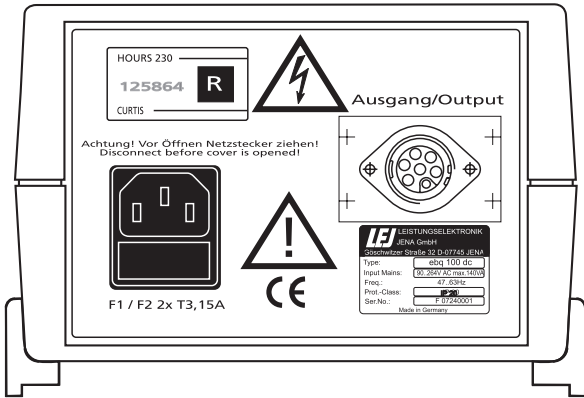


Fig. 7 Rear of transformer ebq 100 dc



Do not perform any work while the lamp is exposed,
do not look directly into the lamp or its reflected light;
wear safety glasses (sunglasses)

Procedure:

Connect the microscope lamp housing to the transformer as described in the supplied ebq 100 dc operating instructions:
Figure 7

Connect transformer to the line.

Switch on microscope lamp housing via line switch at the front of the transformer; the lamp will ignite automatically:
Figure 8

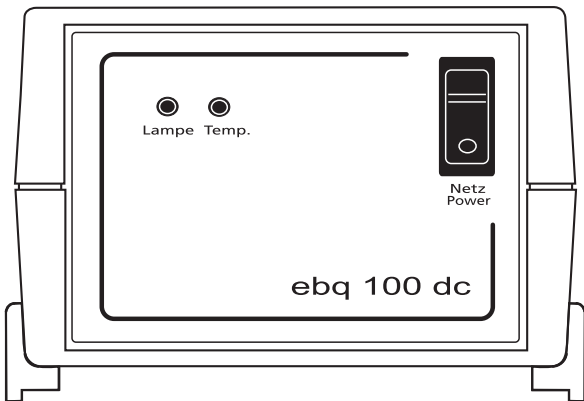


Fig. 8 Front of transformer ebq 100 dc

Meaning of the luminiscence diodes

- "Power" Line control in the line switch
- "Lamp" The green LED lights up when the lamp is on
- "Temp." The yellow LED indicates inadmissible heating of the electronics unit; the output voltage is switched off. Make sure to provide sufficient, unhindered ventilation of the transformer; when the admissible temperature has been reached, the instrument automatically reverts to lamp operation.

3.4 Start-Up of N XBO 75 Microscope Lamp

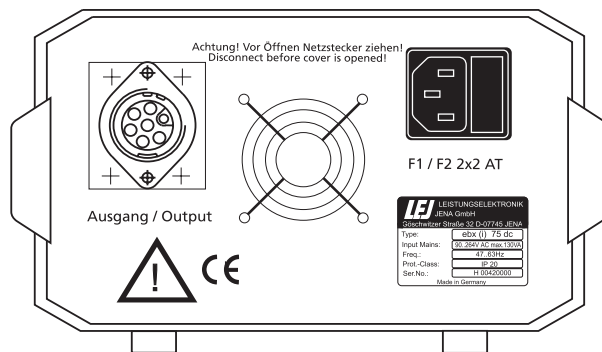


Fig. 9 Rear of transformer ebq 75 isolated

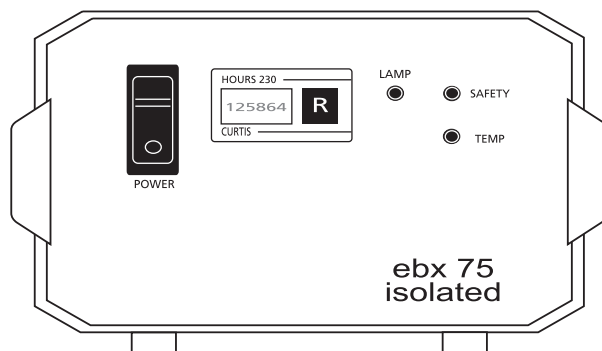


Fig. 10 Front of transformer ebq 75 isolated



Do not perform any work while the lamp is exposed,
do not look directly into the lamp or its reflected light;
wear safety glasses (sunglasses)

Procedure:

Connect the microscope lamp housing to the transformer as described in the supplied ebx 75 isolated operating instructions: *Figure 9*

Connect transformer to the line.

Switch on microscope lamp housing via line switch at the front of the transformer; the lamp will ignite automatically:

Figure 10

Meaning of the luminiscence diodes

- "Power" Line control in the line switch
- "SAFETY" The green LED indicates whether the safety circuit is closed and whether the instrument is ready for operation.
- "Lamp" The green LED **lights up** when the lamp is on
The green LED **blinks** when the lamp must be changed
- "TEMP" The yellow LED indicates inadmissible heating of the electronics unit; the output voltage is switched off.
Make sure to provide sufficient, unhindered ventilation of the transformer; when the admissible temperature has been reached, the instrument automatically reverts to lamp operation.

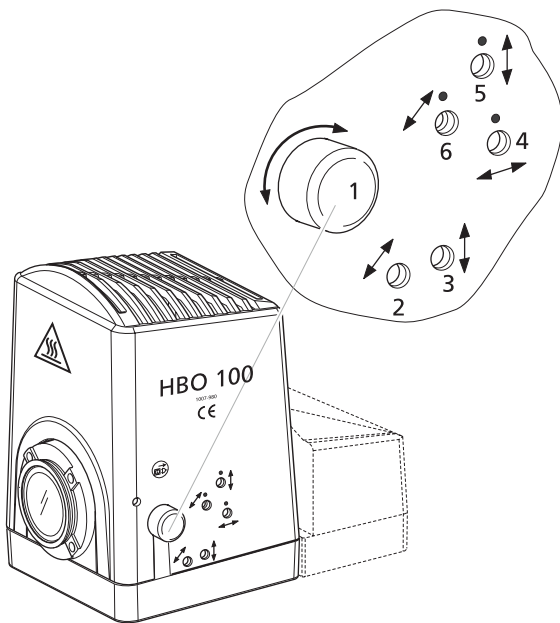
3.5 Focus and Center the HBO 103/XBO 75 Lamps in the Microscope Lamp Housing



Fig. 11 Lamp arc and mirror image



Do not perform any work while the lamp is exposed,
do not look directly into the lamp or its reflected light; wear safety glasses (sunglasses)



- 1 Collector operating wheel
- 2 Lamp adjustment - lateral
- 3 Lamp adjustment - height
- 4 Mirror adjustment- focus
- 5 Mirror adjustment- height
- 6 Mirror adjustment - lateral

Fig. 12 Adjusting components of microscope lamp housing

Direct microscope lamp housing against wall (approx. 3m away)

Switch on the lamp, starting time < 3 minutes

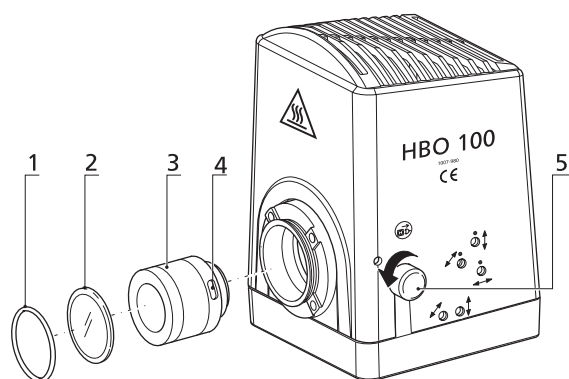
Adjust collector via operating wheel (12-1) and produce a sharp image of the lamp arc on the wall;
adjust the mirror until the mirror image is in focus: Fig. 11 / Fig. 12

both images should - be identical in size
- be identical in focus
- lie side to side

If this is not the case, use ball-headed screwdriver to readjust the adjusting components for the lamp and the mirror: Figure 12

Attach adjusted microscope lamp housing to the microscope via the dovetail.

3.6 Change the Collector



- 1 Clamping ring
- 2 Heat protection filter
- 3 Collector
- 4 Groove
- 5 Collector operating wheel

Fig. 13 Change the collector

Loosen clamping ring (13-1)
Remove heat protection filter (13-2)
Pull out collector operating wheel (13-5)
against resistance until the pin allows access
to groove (13-4)
Remove collector from the illuminator
Push in new collector until pin of the
pushed-out operating wheel locks into the
groove; the collector can be adjusted via the
operating wheel.
Insert heat protection filter;
tighten clamping ring.