

SGI® Octane™ III Deskside Workstation System User's Guide

Document Number 007-5630-001

COPYRIGHT

© 2010 SGI. All rights reserved; provided portions may be copyright in third parties, as indicated elsewhere herein. No permission is granted to copy, distribute, or create derivative works from the contents of this electronic documentation in any manner, in whole or in part, without the prior written permission of SGI.

LIMITED RIGHTS LEGEND

The software described in this document is "commercial computer software" provided with restricted rights (except as to included open/free source) as specified in the FAR 52.227-19 and/or the DFAR 227.7202, or successive sections. Use beyond license provisions is a violation of worldwide intellectual property laws, treaties and conventions. This document is provided with limited rights as defined in 52.227-14.

The electronic (software) version of this document was developed at private expense; if acquired under an agreement with the USA government or any contractor thereto, it is acquired as "commercial computer software" subject to the provisions of its applicable license agreement, as specified in (a) 48 CFR 12.212 of the FAR; or, if acquired for Department of Defense units, (b) 48 CFR 227-7202 of the DoD FAR Supplement; or sections succeeding thereto. Contractor/manufacturer is SGI, 46600 Landing Parkway, Fremont, CA 94538.

TRADEMARKS AND ATTRIBUTIONS

SGI, and the SGI logo are registered trademarks and Octane is a trademark of Silicon Graphics International Corporation or its subsidiaries in the United States and/or other countries worldwide.

Intel and Xeon are trademarks or registered trademarks of Intel Corporation or its subsidiaries in the United States and other countries.

UNIX is a registered trademark in the United States and other countries, licensed exclusively through X/Open Company, Ltd.

InfiniBand is a trademark of the InfiniBand Trade Association.

Linux is a registered trademark of Linus Torvalds.

STEC is a registered trademark of STEC Inc. in the United States and other countries.

All other trademarks mentioned herein are the property of their respective owners.

Record of Revision

Version	Description
-001	March, 2010 First Release

Contents

List of Figures	xi
1. Introduction and Overview	1
ESD and Safety Precautions	1
Quick Setup Procedures	2
Unpacking the System	2
Choosing a Site	4
System Connections and Power On	5
Power-On Problems	7
SGI Service Contact Information	7
System Overview	8
Workstation External Ports	8
I/O Panel Overview	9
Physical Specifications	10
System Power Supplies	10
Upgrading or Replacing Components	11
Octane III Deskside Workstation Cooling	11
Nodeboard Features	13
Processors	13
DIMM Memory	13
Serial ATA	14
PCI Expansion Slots	14
Optional Ethernet Ports	14
Optional Graphics Controllers	14
Other Features	14
InfiniBand	15

2.	System Operation and Troubleshooting	. 17
	Operating Location Considerations	. 17
	System Precautions	. 18
	Troubleshooting the System	. 18
	Enclosure Power Supply Status LEDs	. 19
	System Fan Failure	. 20
3.	System I/O Interfaces Overview	. 21
	Rear I/O Connectors	. 21
	USB Type A Connector	. 22
	VGA Video Interface	. 23
	RJ-45 (Ethernet) Connectors	. 24
	DB9 Serial Connector	. 25
	DVI-I Video/Monitor Port	. 26
	Stereo-Sync Connector	. 27
4.	BIOS Information	. 29
	Starting the BIOS Setup Utility	. 29
	How To Change the Configuration Data	. 30
	Starting the Setup Utility	. 30
	Main Setup	. 30
	System Time/System Update	. 31
	System Board	. 31
	Processor	. 32
	System Memory	. 32

Advanced Setup Configurations.	32
Boot Features	33
Quick Boot	33
Quiet Boot	34
AddOn ROM Display Mode	34
Bootup Num-Lock	34
Wait For 'F1' If Error	34
Hit 'Del' Message Display	34
Interrupt 19 Capture	34
Power Configuration	34
Power Button Function	35
Restore on AC Power Loss	35
Watch Dog Timer	35
Processor and Clock Options	35
Ratio CMOS Setting	35
C1E Support	35
Hardware Prefetcher (Available when supported by the CPU)	36
Adjacent Cache Line Prefetch (Available when supported by the CPU)	36
Intel Virtualization Technology (Available when supported by the CPU)	36
Execute-Disable Bit Capability (Available when supported by the OS and the CPU)	36
Simultaneous Multi-Threading (Available when supported by the CPU).	36
Active Processor Cores	36
Intel EIST Technology.	37
Intel TurboMode Technology (Available when Intel EIST Technology is enabled)	37
Intel C-STATE Tech	37
C-State package limit setting (Available when Intel® C-State Tech is enabled)	37
C1 Auto Demotion.	37
C3 Auto Demotion.	37
Clock Spread Spectrum	37
Advanced Chipset Control	38
CPU Bridge Configuration.	38
Serial Debug Message Level	40
North Bridge Configuration	40

Crystal Beach/Direct Memory Access (DMA)	40
Crystal Beach/ Direct Cache Access (DCA)	41
Intel VT-d	41
SouthBridge Configuration	41
USB Functions	41
Legacy USB Support	41
USB 2.0 Controller	41
USB 2.0 Controller Mode	42
BIOS EHCI Hand-Off	42
Intel PCI-X Hub Configuration	42
PCI Bus A0/B0 Frequency	42
I/O Port Decode.	42
RAS Sticky Error Handling.	42
VGA 16-Bit Decode	42
IDE and SATA Configuration	43
SATA#1 Configuration.	43
Primary IDE Settings	43
Hot Plug.	46
IDE Detect Timeout (sec)	46
PCI/PnP Configuration	46
Clear NVRAM	46
Plug & Play OS	46
PCI Latency Timer	47
PCI IDE BusMaster.	47
Load Onboard LAN1 Option ROM/Load Onboard LAN2 Option ROM	47
Super IO Device Configuration	47
Serial Port1 Address/ Serial Port2 Address.	47
Remote Access Configuration	47
Remote Access	47
Hardware Health Monitor	49
CPU Overheat Alarm	49
CPU Temperature/System Temperature	49
ACPI Configuration	51

ACPI Version Features	51
ACPI APIC Support	51
APIC ACPI SCI IRQ	52
Headless Mode.	52
High Performance Event Timer	52
Trusted Computing	52
TCG/TPM Support.	52
IPMI Configuration.	53
Status of BMC	53
View BMC System Event Log	53
Clear BMC System Event Log.	53
Set LAN Configuration	54
IP Address Configuration	54
Parameter Selector	54
IP Address	54
Current IP Address in BMC	54
MAC Address Configuration	55
Parameter Selector	55
Mac Address	55
Current Mac Address in BMC.	55
Subnet Mask Configuration	55
Parameter Selector	55
Subnet Mask	55
SEL PEF Configuration	56
PEF Support	56
PEF Action Global Control	56
Alert Startup Delay	56
PEF Alert Startup Delay	56
Startup Delay	56
PEF Startup Delay	57
BMC Watch Dog Timer Action	57
DMI Event Log	57
View Event Log	57

Mark all events as read 58
Clear event log 58
Security Settings 58
Boot Configuration 59
Boot Device Priority 60
Hard Disk Drives 61
Removable Drives 61
Exit Options 61
Save Changes and Exit 62
Discard Changes and Exit 62
Discard Changes 63
Load Optimal Defaults 63
Load Fail-Safe Defaults 63
BIOS Error Beep Codes 63
BIOS Error Beep Code List 64
A. Technical Specifications 65
System Specifications and Features 65
Environmental Specifications 66
Optional Solid State Disk Parameters 66

List of Figures

Figure 1-1	Octane III Unpacking Example	3
Figure 1-2	Octane III Deskside Workstation Rear Panel Connectors	5
Figure 1-3	Pushing the Enable Power Switch	6
Figure 1-4	Octane III Deskside Workstation Fan Locations.	12
Figure 1-5	Example Functional Block Diagram of an Octane III Xeon System Board .	16
Figure 2-1	System Power Supply Status LED	19
Figure 2-2	Visually Identify a Non-Working Fan	20
Figure 3-1	I/O Interfaces on the Rear of the System.	21
Figure 3-2	Pin Number Locations for USB Type A Connector	22
Figure 3-3	Octane III VGA Video Connector	23
Figure 3-4	RJ-45 Ethernet Connector Pin Assignments	24
Figure 3-5	Octane III Serial Port Connector Pins	25
Figure 3-6	DVI-I Port and Pinouts	26
Figure 3-7	Stereo-Sync Connector Example.	27
Figure 4-1	System Overview Main BIOS Setup Example Screen	31
Figure 4-2	Advanced Settings Example Screen	33
Figure 4-3	Security Settings Example Screen	58
Figure 4-4	Boot Settings Example Screen	60
Figure 4-5	Exit Options Example Screen	62

Introduction and Overview

This chapter provides an overview of your SGI Octane III desktside workstation system's main features. Operating precautions are provided in this chapter, followed by quick setup information and a general overview of the product.

Before operating your system, familiarize yourself with the safety information in the following section.

ESD and Safety Precautions

Caution: Observe all ESD precautions. Failure to do so can result in damage to the equipment.

Wear an approved ESD wrist strap when you handle any ESD-sensitive device to eliminate possible damage to equipment. Connect the wrist strap cord directly to earth ground.



Warning: Before operating or servicing any part of this product, read the safety precautions.



Danger: Keep fingers and conductive tools away from high-voltage areas. Failure to follow these precautions will result in serious injury or death. The high-voltage areas of the system are indicated with high-voltage warning labels.



Caution: Power off the system only after the system software has been shut down in an orderly manner. If you power off the system before you halt the operating system, data may be corrupted.

Quick Setup Procedures

Use the information in the following subsections to get your Octane III unpacked, set up and working in your office or lab environment. If your system ships with hardware, software or media not listed in this guide, please see its accompanying documentation for installation instructions.

Unpacking the System

Open the SGI Octane III system packaging container and inspect all shipped items for evidence of mishandling during transit. If the contents appear damaged, file a damage claim with the carrier immediately.

Caution: To avoid personal injury when unloading the system, use two people when rolling the system off the shipping pallet. The system can weigh up to approximately 178 pounds (81 kg).

Use the following steps and Figure 1-1 on page 3 to properly unpack your Octane III system:

1. After you have cut the package banding and opened the top, remove the wood ramp and place it near the front of the pallet, then pull out and remove the two cushioned top pads.
2. Check that the following items are included and note that a DVD-RW drive and monitor/keyboard/mouse may come as separately packaged options:
 - SGI Octane III deskside system
 - System power cords
 - Silicon Graphics or 3rd party software CDs
 - *SGI Octane III Deskside Workstation User's Guide* (this document)
3. Remove any items packaged at the top of the box, then pull up the corrugated sleeve and lift off the anti-static plastic cover.
4. Extract the two bolts that hold the front brace to the shipping pallet assembly and remove it.
5. Align the two bolt holes on the end of the ramp (removed in step 1) with the holes on the front of the shipping pallet, then push the bolts into place to secure the ramp.
6. Use two people to slowly roll the Octane III system off the pallet and down the ramp.
7. Roll the system carefully into the operation location and position it for setup.

Save the boxes and packing materials and reverse the previous steps if repacking is needed.

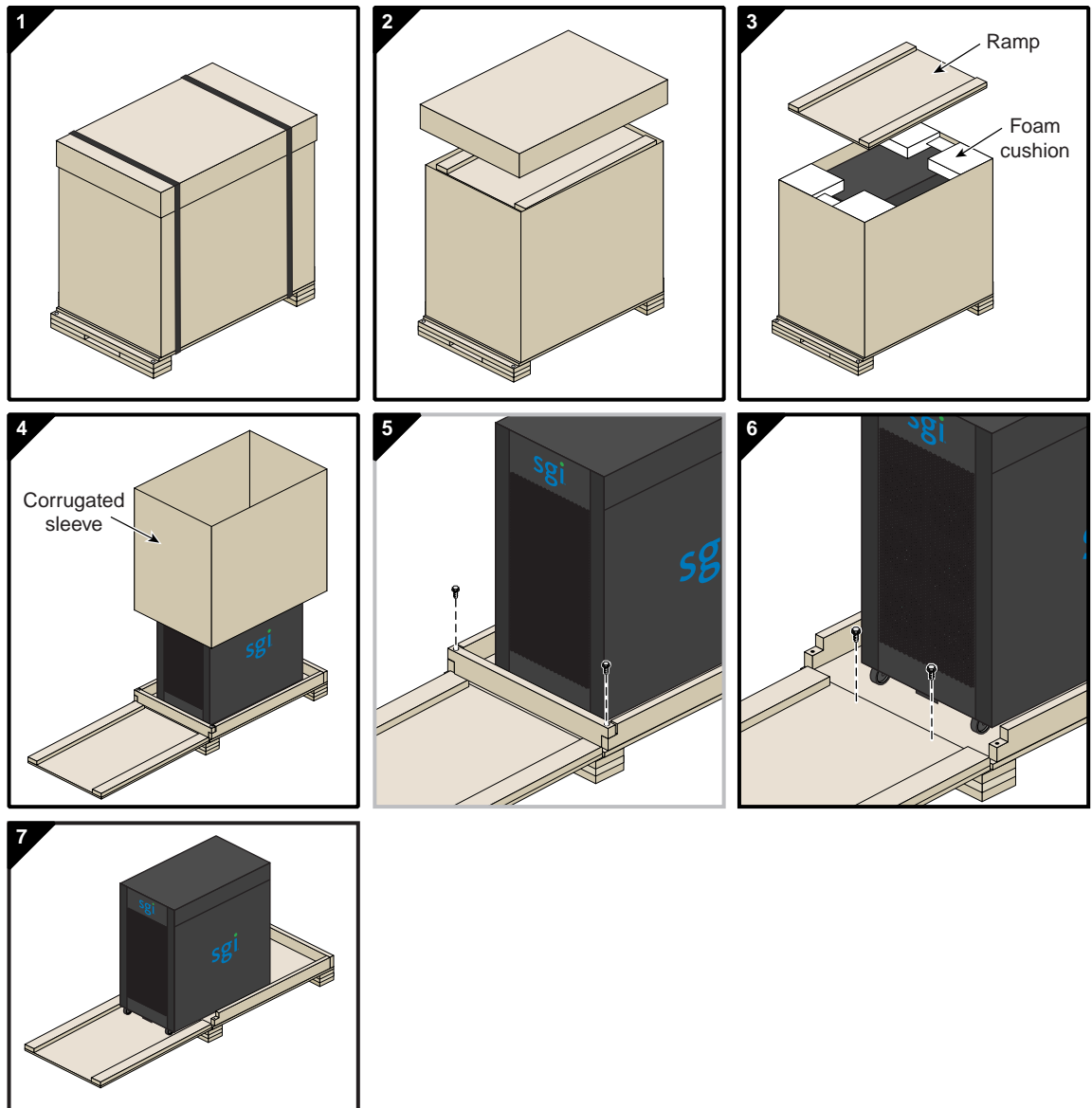


Figure 1-1 Octane III Unpacking Example

Choosing a Site

The Silicon Graphics Octane III deskside workstation operates reliably within normal air conditioned office or lab environments. Select a site that meets these criteria:

- Near two properly earthed, grounded, three-pronged power outlets, as follows:
 - In the U.S. and Canada: two single-phase NEMA 5-15R outlets for 100-120 V. Connectors will differ for 200-240 V applications.
 - In other geographic areas: a properly earthed, grounded outlet in accordance with the local electrical authorities and electrical code of the region.

Note: Optional external drives connected to the Octane III will require a separate power source to operate.

- Clean and relatively free of excess dust.
- Well-ventilated and away from sources of heat, with the ventilation openings on the system kept free of obstructions.
- Away from sources of vibration or physical shock.
- Isolated from strong electromagnetic fields and line noise caused by electrical devices such as elevators, copy machines, air conditioners, large fans, large electric motors, radio and TV transmitters, and high-frequency security devices.
- Access space provided so the power cords can be unplugged from the power supply or the wall outlet. This is the **only** way to remove AC power from the system.
- Clearance provided for cooling and airflow.

Note: In regions that are susceptible to electrical storms, it is recommended that you plug your system into a surge suppressor and disconnect any telecommunication lines during electrical storms.

System Connections and Power On

Once you have located the system in its operating environment, use the following steps and illustrations to connect to monitor/keyboard/mouse, Ethernet, power and optional components:

1. Connect the keyboard and mouse to USB-*N*-A connectors on the rear of the enclosure, see Figure 1-2. If you are using a workstation with two independent “heads” (a second internal tray), connect the second keyboard and mouse to USB-*N*-B connectors.
2. Connect your monitor(s) to the DVI-*N*-A (and/or optionally DVI-*N*-B) video connector(s) on the rear panel. See Table 1-1 on page 9 for more information on video/option connectors.
3. Plug a Cat-5 or equivalent Ethernet cable to GIGE-0-A on the rear panel of the system and connect it to your local area network (LAN) as applicable.
4. If you have ordered an optional external DVD-RW drive, connect it to the remaining USB-*N*-A plug on the rear of the system. Power-up the external drive **after** you have successfully booted the Octane III. Remember that if you have a system using only the primary tray (A), then only connectors from the USB-*N*-A side will work.

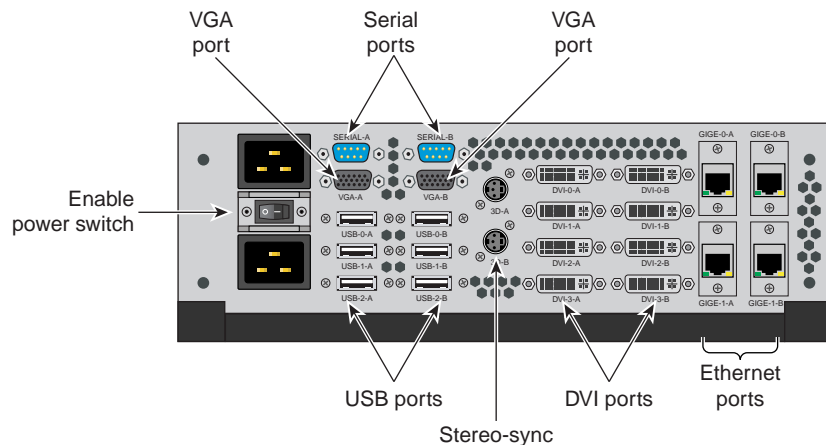


Figure 1-2 Octane III Deskside Workstation Rear Panel Connectors

5. With the enable power switch in the off (0) position, connect each of the power cables from the power supply connectors on the rear of the system to approved wall plug outlets near the work area. Note that the enable power switch is located between the two power plugs.
6. Push the enable power switch to the on (1) position to start the system, see Figure 1-3 on page 6.

Caution: The power supply cords are used as the main disconnect device, ensure that the sockets/outlets are located or installed near the equipment and are easily accessible.

The system starts and displays a welcome message. After that, a series of power-on self-test (POST) messages appear. The POST messages indicate whether or not the system is running correctly. If the system does not turn on or boot after pressing the enable power switch, see the next section for possible causes.

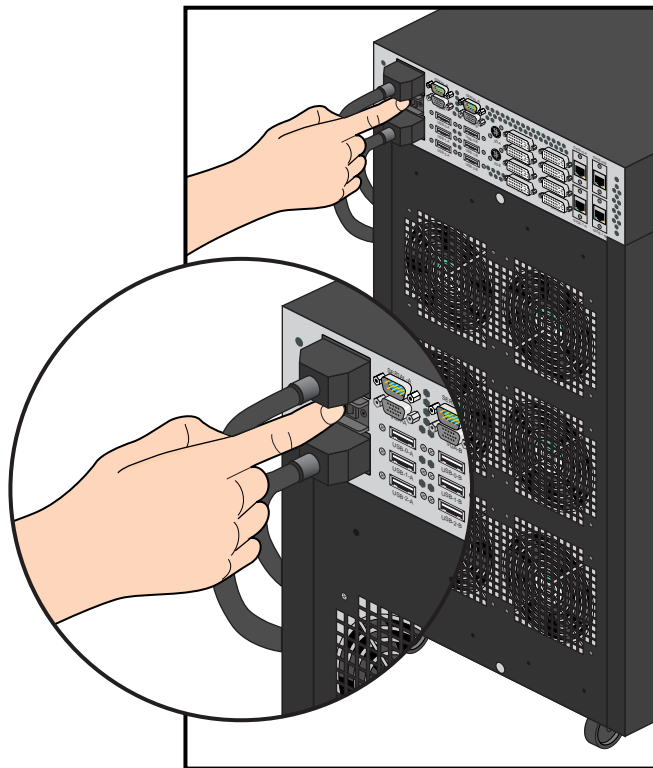


Figure 1-3 Pushing the Enable Power Switch

Power-On Problems

If the system does not boot after you enable power, check the following factors that might have caused the boot failure:

- The external power cables may be loosely connected.
Check the power cable connections from the power source to the power sockets on the rear panel. Make sure that the cables are properly connected and in good condition.
- No power comes from the grounded power outlet.
Ask an electrician to check your power outlet.

SGI Service Contact Information

If the system still fails to boot, contact your SGI service representative for assistance.

In North America, call 1-800-800-4SGI; international customers can visit

<http://www.sgi.com/support/>

Click on the “Support Centers” link under the “Online Support” heading for information on how to contact your nearest SGI customer support center.

System Overview

The Octane III desktside graphics workstation is comprised of a stand-alone enclosure that can be configured as a single or two-head desktside workstation. Depending on the configuration ordered, the system holds one or two 3U compute/graphics “trays” that house processors, DIMMs, power supplies, hard drives and graphics or I/O options. Octane III enclosures are mounted on castors so they can be moved within the office or lab environment. Check with your sales or service representative before loading any operating system on your Octane III not provided by the SGI factory or service organization.

In addition to the 3U compute/graphics trays and chassis, various hardware components may be included as part of your Octane III configuration as follows:

- SATA Accessories: A minimum of one hard disk drive (used by the primary compute/graphics tray) is required for operation. Optional hard disk drives or solid state drives may be installed in each tray.
- PCI Express x16 and x8 risers are available via each motherboard.
- One (1) external DVD drive can be used with each Octane III desktside system.

Workstation External Ports

Your SGI Octane III desktside workstation may come with one or (optionally) two internal graphics trays each of which supports an independent graphics “head”. While the two graphics heads may be directly linked internally via InfiniBand or Ethernet, they are functionally independent compute/graphics/storage units. I/O ports used on each compute/graphics/storage tray “head” in the Octane III will vary based on the configuration ordered.

Default I/O ports include one Gigabit Ethernet port, one VGA port, one serial port, three USB 2.0 ports, one stereo sync port, and up to four DVI-I ports. Duplicates of all these I/O ports are included in an optional Octane III (dual -head) workstation configuration.

I/O Panel Overview

Table 1-1 lists the standard and optional connectors used with the Octane III desktside workstation.

Table 1-1 Octane III Desktside Workstation External Ports Available

Number of ports	Type of port	Internal port connection	Connector used
One	VGA-A	Connects to primary compute/graphics tray	DB-15
One (optional)	VGA-B	Connects to optional second compute/graphics tray	DB-15
One	Serial-A console	Connects to primary compute/graphics tray	DB9 serial
One (optional)	Serial-B console	Connects to optional second compute/graphics tray	DB9 serial
Three	USB-0-A, USB-1-A and USB-2-A	Connects to primary compute/graphics tray	USB-A 2.0
Three (optional)	USB-0-B, USB-1-B and USB-2-B	Connects to optional second compute/graphics tray	USB-A 2.0
One	3D-A (stereo-sync)	Connects to primary compute/graphics tray	3-pin DIN (StereoView)
One (optional)	3D-B (stereo-sync)	Connects to optional second compute/graphics tray	3-pin DIN (StereoView)
Four	DVI-0-A, DVI-1-A, DVI-2-A and DVI-3-A	Connects to primary compute/graphics tray	DVI-I dual-link (24+4 pin)
Four (optional)	DVI-0-B, DVI-1-B, DVI-2-B and DVI-3-B	Connects to optional second compute/graphics tray	DVI-I dual-link (24+4 pin)
Two	GIGE-0-A and GIGE-1-A ports	To E-Net ports on primary compute/graphics tray	RJ-45
Two (optional)	GIGE-0-B and GIGE-1-B ports	To E-Net ports on optional 2nd compute/graphics tray	RJ-45

While an Octane III rear panel bulkhead supports the previously listed external connections, not all will be available/usable with every system. Note that all the system connectors are located on the rear of the enclosure.

See the information in Chapter 3 for additional technical descriptions of the individual connector types available on the Octane III system.

Physical Specifications

Table 1-2 shows the physical specifications for the Silicon Graphics Octane III system. See Appendix A in this guide for additional system operating specifications.

Table 1-2. Silicon Graphics Octane III Physical Specifications

Feature	Specification
Dimensions:	
height	26.5 in. (67.3 cm) Packaged = 35 in. (89 cm)
width	12.5 (31.7 cm) Packaged = 19 in. (48.3 cm)
depth	28.2 (71.6 cm) Packaged = 37.125 in. (94 cm)
Weight (maximum configuration)	Approximately 178 lbs. (81 kg) (max shipping 224 lbs. [102 kg])
Temperature	
operating	+10 °C (+50 °F) to +35 °C (+95 °F)
non-operating	-40 °C (-40 °F) to +70 °C (+158 °F)
Humidity (non-operating)	< 95% RH, non-condensing

System Power Supplies

Your deskside Octane III system comes equipped with two power supplies. Each power supply has a separate power cord and is rated for a maximum DC output of 1000 watts at 100-120 VAC, or 1200 watts at 200-240 VAC. Each power supply is cooled by a built-in 40-mm fan. Each supply has one (bi-color) status LED on the rear which is visible through the perforated sheet metal panel at the upper rear of the enclosure.

If one of the power supplies should fail, some configurations of the Octane III can continue to operate. Systems populated with two compute/graphics trays will require both power supplies to operate properly. In either case a failed supply should be replaced as soon as possible.

Upgrading or Replacing Components

The *SGI Octane III Deskside Workstation Component Replacement Guide* (P/N 007-5650-00x), describes how to install or replace the following components in an SGI Octane III deskside workstation:

- Memory DIMMs
- PCIe cards
- Disk drives
- System fans
- Power supplies

Service personnel should use the procedures in the guide to upgrade system components or replace failing components.



Warning: If a lithium battery is installed in your system as a soldered part, only SGI qualified service personnel should replace this lithium battery. For a battery of another type, replace it only with the same type or an equivalent type recommended by the battery manufacturer, or an explosion could occur. Discard used batteries according to the manufacturer's instructions.

Octane III Deskside Workstation Cooling

The SGI Octane III system is cooled using 12 fans (six on the front and six on the rear). The six front fans push air into the enclosure while the rear six fans pull it out the back.

The system fan assemblies are located behind the front and rear panels on the enclosure. Figure 1-4 on page 12 illustrates the fan locations on the system.

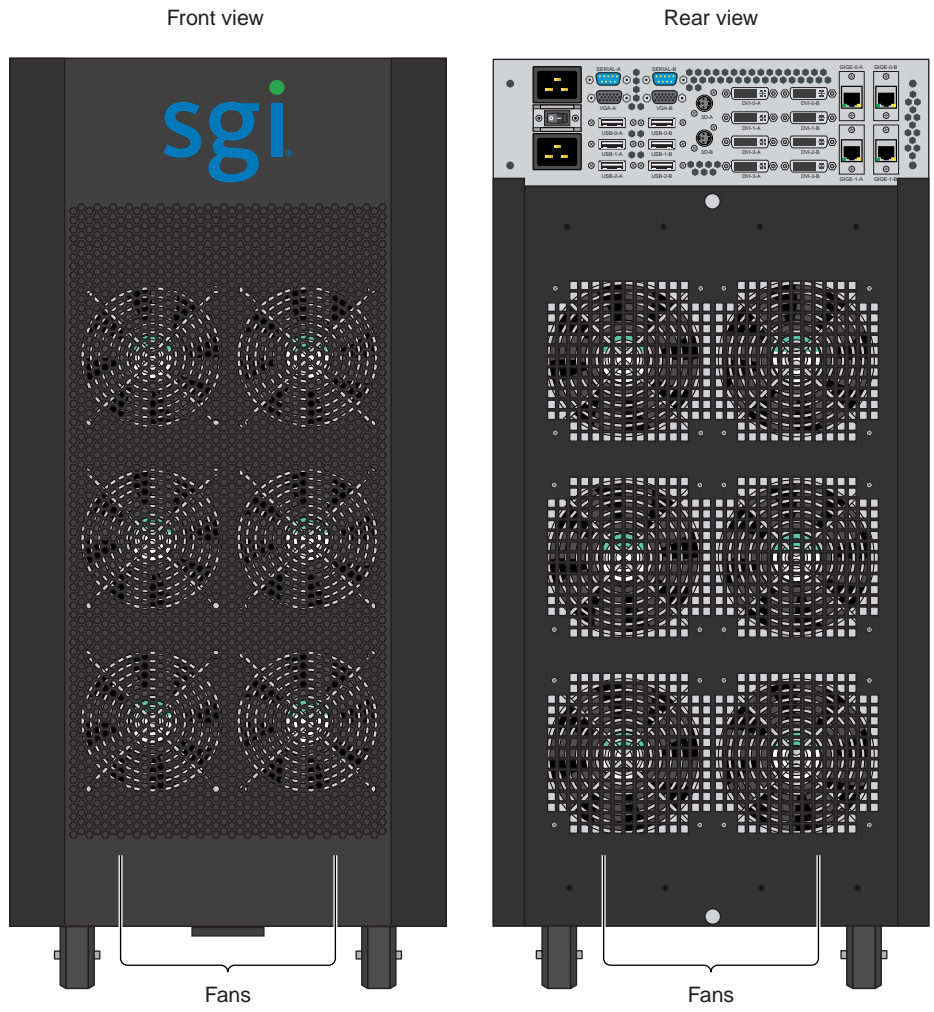


Figure 1-4 Octane III Deskside Workstation Fan Locations

Nodeboard Features

At the heart of each 3U-high Octane III compute/graphics/storage tray lies one multi-processor based node board. At time of publication, these node boards were based on Intel chipsets. Check with your SGI sales or service representative for information on AMD based compute products available from SGI. The following subsections describe some example features of the boards. Note that the features on the example boards are doubled for systems that include two graphics “heads” (two separate 3U compute/graphics trays). See Figure 1-5 on page 16 for an example functional block diagram of an Intel Xeon system node board.

Processors

The Octane III deskside system can support a minimum of 2 and a maximum of up to 4 processors (up to 24 cores when configured with six-core processors). The exact type of processors provided with your system depends on the specific configuration you ordered. Check with your sales or service representative for information on processor availability, upgrades and compatibility. The following are examples of types available for the Octane III deskside workstation:

- One dual-socket Intel® Xeon® quad-core processor series-based board
- One dual-socket Intel® Xeon® six-core processor series-based board

Each Octane III graphics workstation tray supports two Intel® Xeon six-core processors (a total of up to four six-core processors per system when the optional second graphics tray is installed).

DIMM Memory

Memory configuration varies depending on the processor board type ordered with your system tray(s). DIMM population requirements vary from two per motherboard up to 12 per motherboard, using DIMM speeds from 1066 MHz to 1333 MHz.

The motherboard in each compute/graphics tray can use up to twelve 240-pin DIMM sockets that can support up to 48 GB of registered ECC DDR3-1333/1066/800 SDRAM (96 GB total for the system). This capacity can vary based on which compute tray DIMMs your SGI Octane III is using. In all configurations a minimum of 3GB of DIMM per core installed is recommended for optimum performance.

See the *SGI Octane III Deskside Workstation Component Replacement Guide* (P/N 007-5650-00x), for information on installing memory into the system.

Serial ATA

Each node board chipset includes a Serial ATA controller. Some workstation boards use the ICH10R chipset for up to six Gb/s SATA drive transfers. The SATA drives are connected to power, bus termination and configuration settings on each tray. Optional SATA RAID may be supported depending on the configuration you ordered. Contact your sales or service provider to order a specific RAID upgrade if your system was not ordered with that option.

PCI Expansion Slots

PCI expansion is available as part of specific workstation tray configurations. Each tray within the cluster system supports the use of PCI Express 2.0 x16, and 2.0 x8 slots. Riser cards are pre-installed to support the optional low-profile add-on PCIe cards. The type of graphics card(s) used with the workstation will determine which slots are used and the availability/usability of additional slots.

Note that PCIe cards (other than graphics cards) must be for internal applications as there are limited external ports on the enclosure.

Optional Ethernet Ports

An optional network controller can be integrated into some models of the internal compute/graphics tray to support additional Gigabit LAN ports with 1000BaseTX, RJ45 output.

Optional Graphics Controllers

Different optional graphics cards may be available for specific tray configurations, check with your sales or service representative for additional information.

Other Features

Other node-board features that promote system health include voltage monitors, auto-switching voltage regulators, chassis and CPU overheat sensors, virus protection and BIOS rescue.

InfiniBand

Depending on the configuration you ordered, your SGI Octane III may be available with an optional internal InfiniBand port at QDR (quad-data rate) speeds. Note that there is no provision for external InfiniBand ports on the Octane III deskside system.

InfiniBand is a scalable serial communications link intended for connecting processors with high-speed peripherals or other systems.

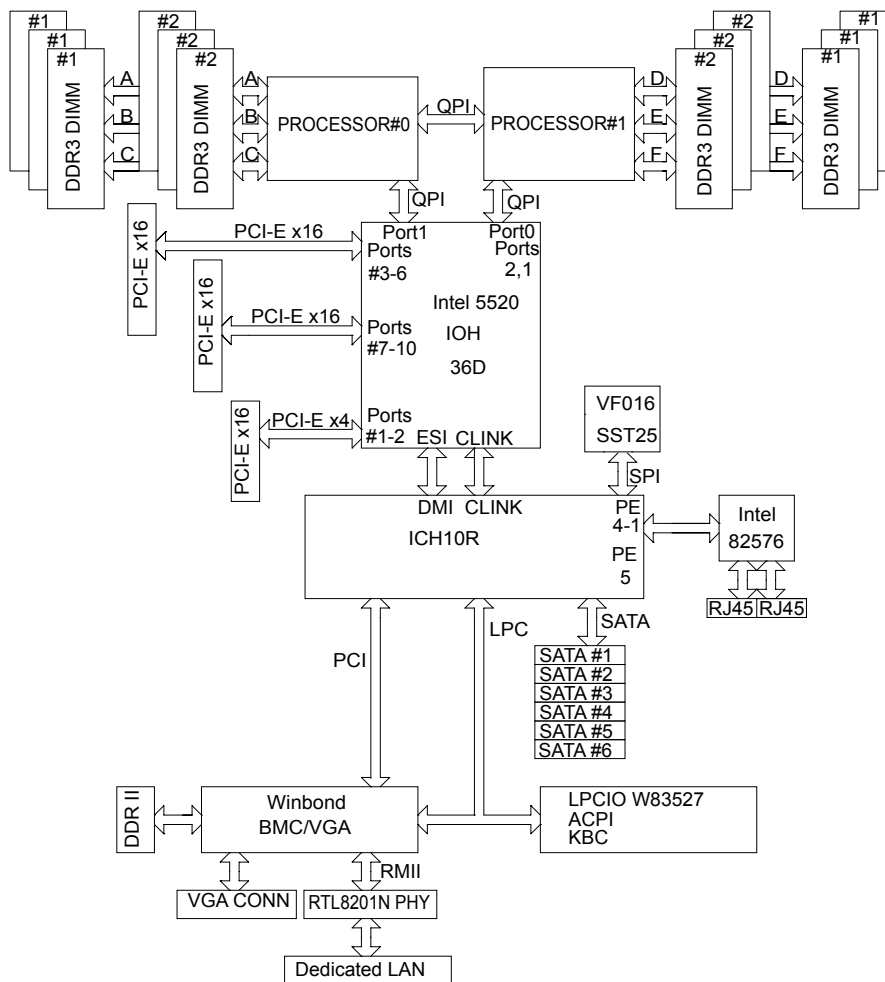


Figure 1-5 Example Functional Block Diagram of an Octane III Xeon System Board

System Operation and Troubleshooting

The first half of this chapter describes the basic operating steps needed to keep your SGI Octane III system up and running properly. The second half of this chapter provides you with some basic troubleshooting advice. Use these sections to eliminate simple problems or obtain information that may be needed by your service provider.

Operating Location Considerations

If you used the quick setup information in Chapter 1 of this document, it should be up and running. The following information is intended to help you keep your system operational with the least amount of interruptions.

The system should always be kept in a clean, dust-free area that is well ventilated. Avoid areas where heat, electrical noise and electromagnetic fields are generated. You will also need it placed near two dedicated 100-240 Volt grounded single-phase power outlets.

The deskside SGI Octane III workstation system is designed to work in your office environment, computer lab or in a server room. Take care to maintain the following operating conditions:

- The enclosure should have a six-inch (15 cm) minimum top air clearance.
- The enclosure should have a minimum of 8 inches (20 cm) of front and rear clearance to allow for proper cooling.

Note: Opening the front or rear cover of the Octane III system will require more working space than the minimum cooling space listed above.

- The enclosure should be protected from harsh environments that produce excessive vibration and heat.
- The enclosure should be kept in a clean, dust-free location to reduce maintenance problems.
- Available power must be rated for deskside operation (20 amps at 100-240V).

System Precautions

If you have not already done so, review the electrical and general safety precautions in Chapter 1. The system's power supplies should be connected to a high-quality power source that offers protection from electrical noise and power surges.

For extra protection, use a regulating uninterruptible power supply (UPS) to protect the system's power supplies from power surges, voltage spikes and to keep your system operating in case of a power failure. This is an optional device not provided by SGI with your system.

Make sure all power and data cables are properly connected and not blocking the enclosure airflow. Anyone servicing the system should insure the disk drives and power supply modules are cool before touching them. Always keep the Octane III system covers closed when it is not being serviced to maintain proper cooling and EMI suppression.

Troubleshooting the System

The following table lists recommended actions for problems that can occur. To solve problems that are not listed in this table or in another section of this chapter, contact your SGI system support engineer (SSE) or other approved service provider.

Table 2-1 Troubleshooting Chart

Problem Description	Recommended Action
The system will not power on.	Ensure that the power cords of the enclosure are seated properly in the power receptacles. Ensure the enclosure's enable power switch is set to On (I). If the power cords are plugged in and the enable power switch is on, contact your support organization or SSE.
An individual compute/graphics tray will not power on.	Use the <i>SGI Octane III Deskside Workstation Component Replacement Guide</i> and insure the tray is plugged in.
The system console does not display after system boot.	Check the monitor connection to power. If your monitor is plugged to a DVI-B connector, confirm that your system has a graphics option that supports it.
The system will not boot the operating system.	Contact your support provider.
The PWR LED of a populated PCI slot in a tray is not illuminated.	Using the <i>SGI Octane III Deskside Workstation Component Replacement Guide</i> - reseal the PCI card.

Table 2-1 Troubleshooting Chart (continued)

Problem Description	Recommended Action
The Fault LED of a populated PCI slot is illuminated (on).	If the fault LED remains on, consult the <i>SGI Octane III Deskside Workstation Component Replacement Guide</i> and re-seat or replace the PCI card.
The fault LED of a hard disk drive is on.	Consult the <i>SGI Octane III Deskside Workstation Component Replacement Guide</i> to replace the drive.

Enclosure Power Supply Status LEDs

Each power supply installed in an Octane III enclosure has a bi-color (green/amber) status LED, see Figure 2-1 for an example. These LEDs can be viewed by looking carefully through the upper-rear perforated sheetmetal on the enclosure to determine if a problem with the supply exists. If the supply indicates a malfunction (yellow LED), it should be replaced immediately.

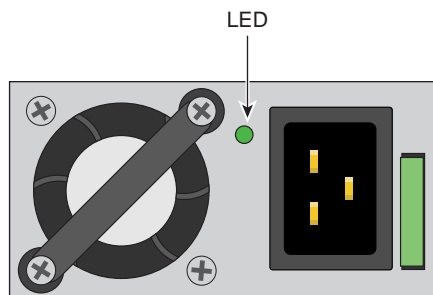


Figure 2-1 System Power Supply Status LED

The LEDs will either light green or amber (yellow), or flash green or yellow to indicate the status of the individual supply. See Table 2-2 for a complete list.

Table 2-2 Power supply LED status information

LED condition	Status of power supply
Blinking green	AC present, enclosure power not enabled, (standby mode)
Solid green	AC present, enclosure power enabled, (system on)
Blinking amber (yellow)	Voltage level faults detected (over or under voltage)
Solid amber (yellow)	Fan failure, over-current, or under-voltage condition

System Fan Failure

If one of the 12 fans that cool the main enclosure fails, you should be able to visually identify the problem unit by looking through the perforated sheet metal, see Figure 2-2. The system can run with a single fan failure, but it should be replaced as soon as possible. The *SGI Octane III Deskside Workstation Component Replacement Guide* has information on fan replacement.

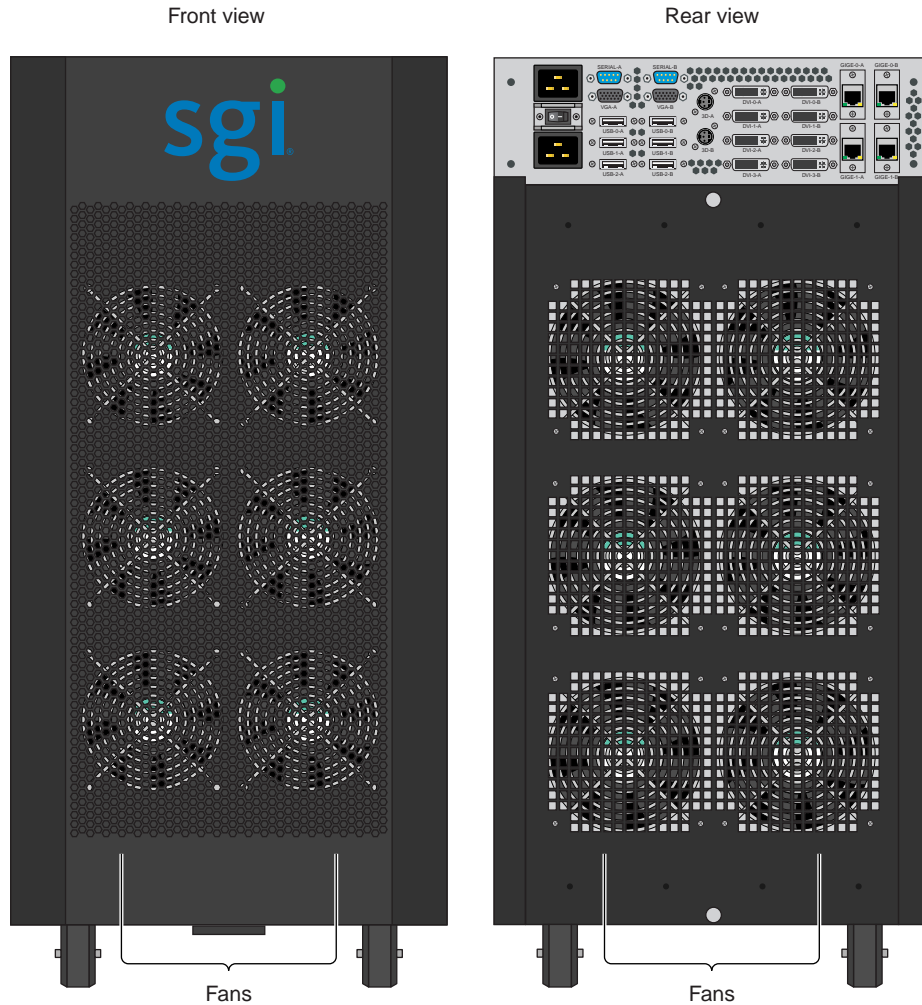


Figure 2-2 Visually Identify a Non-Working Fan

System I/O Interfaces Overview

This chapter provides a technical overview of the standard and optional interfaces available on your SGI Octane III workstation. The system's I/O connectors are described and illustrated.

Rear I/O Connectors

As described in Chapter 1, all the system's I/O interfaces are situated on the upper rear portion of the Octane III enclosure. Figure 3-1 calls out the location and type of the connectors and the following subsections describe and illustrate the functions of the interconnects.

Note that there are no connectors or indicators on the front of the Octane III system, all connections to the system must be made using the connectors on the back.

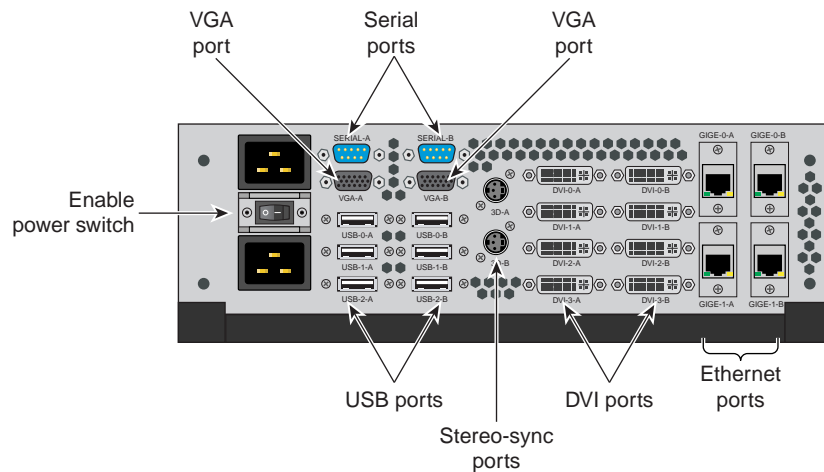


Figure 3-1 I/O Interfaces on the Rear of the System

All the I/O connectors labeled “-B” are only usable when an optional second compute/graphics tray is installed in the deskside workstation.

USB Type A Connector

Figure 3-2 shows the pinouts for the USB type A connectors used for USB ports on the rear panel of the Octane III system.

The USB ports are used for connecting keyboard, mouse and other USB compatible devices to your system.

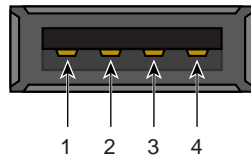


Figure 3-2 Pin Number Locations for USB Type A Connector

Table 3-1 lists the pin assignments for each connector on the USB interface.

Table 3-1 Pin Assignments for USB Type A Connectors

Signal	Color	Pin Number
VCC	Red	1
-Data	White	2
+Data	Green	3
Ground	Black	4

VGA Video Interface

Every Octane III deskside workstation comes with two 15-pin VGA video connectors, see Figure 3-3 for an example and Table 3-2. The VGA-A interface is connected directly to the primary system compute/graphics tray, the second connector (VGA-B) is optional.

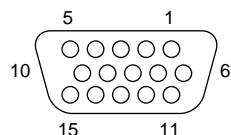


Figure 3-3 Octane III VGA Video Connector

Table 3-2 VGA Pin Functions

Pin Number	Function
1	Red
2	Green
3	Blue
4	N/C
5	Ground
6	Ground
7	Ground
8	Ground
9	Ground
10	Ground
11	N/C
12	DDCDAT
13	HSYNC
14	VSYNC
15	DDCCLK

RJ-45 (Ethernet) Connectors

Figure 3-4 shows an example of the RJ-45 connectors used on the Octane III with its pin assignments called out.

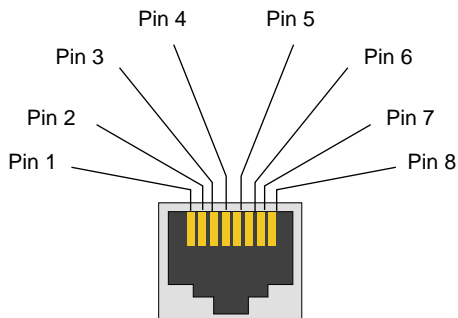


Figure 3-4 RJ-45 Ethernet Connector Pin Assignments

Table 3-3 shows the pin assignments for the RJ-45 connector used on the I/O panel of the Octane III system. The number of functional RJ-45 connectors on the rear of the system is directly dependant on the use of an optional second internal compute/graphics tray.

Table 3-3 Ethernet Connector Pin Assignments

GigE (1000BaseT) Ethernet Pinouts Pin	GigE (1000BaseT) Ethernet Pinouts Assignment
1	Transmit/Receive 0+
2	Transmit/Receive 0-
3	Transmit/Receive 1+
4	Transmit/Receive 2+
5	Transmit/Receive 2-
6	Transmit/Receive 1-
7	Transmit/Receive 3+
8	Transmit/Receive 3-

DB9 Serial Connector

Figure 3-5 shows the DB9 connector pin assignments.

This connector may be used as a “dumb” RS-232 style console port for connecting to the primary or optional compute tray.

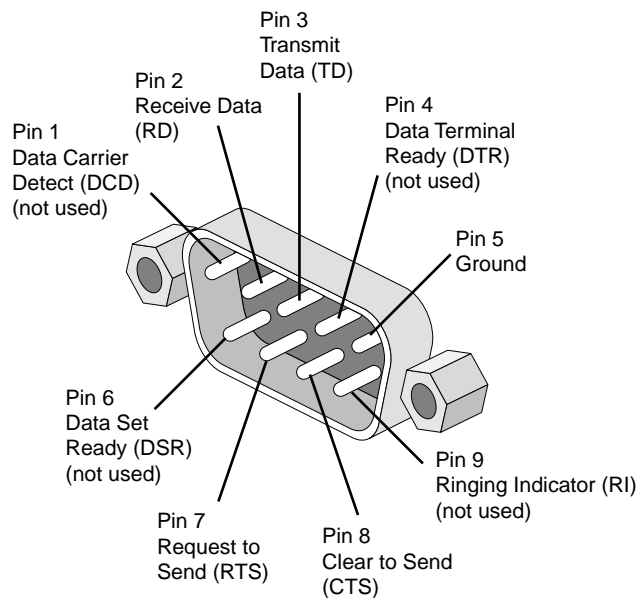


Figure 3-5 Octane III Serial Port Connector Pins

DVI-I Video/Monitor Port

Figure 3-6 shows the pinouts for the DVI-I video ports.

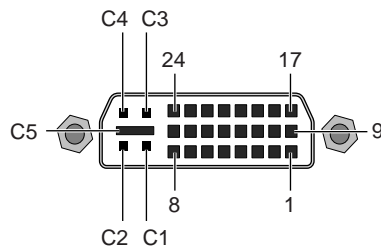


Figure 3-6 DVI-I Port and Pinouts

Table 3-4 shows the port pinout assignments for the DVI-I port(s).

Table 3-4 DVI-I Video Port Pinouts

Pin	Assignment	Pin	Assignment
1	DATA 2-	16	HOT_POWER
2	DATA2+	17	DATA 0-
3	SHIELD 2/4	18	DATA 0+
4	DATA 4-	19	SHIELD 0/5
5	DATA 4+	20	DATA 5-
6	DDC_CLOCK	21	DATA 5+
7	DDC_DATA	22	SHIELD CLOCK
8	VSYNC	23	CLOCK -
9	DATA 1-	24	CLOCK +
10	DATA1+	C1	A_RED
11	SHIELD 1/3	C2	A_GREEN
12	DATA 3-	C3	A_BLUE
13	DATA 3+	C4	HYNSC
14	DDC_POWER	C5	A_GROUND2
15	A_GROUND1	C6	A_GROUND3

Stereo-Sync Connector

The round stereo-sync (also called StereoView) connectors are located between the desktide workstation's USB and DVI ports. Connector 3D-A is standard, while connector 3D-B is usable when an optional second compute/graphics tray is installed in the system. Figure 3-7 shows an example stereo-sync connector with the signal pins called out.

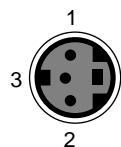


Figure 3-7 Stereo-Sync Connector Example

Table 3-5 provides the pin functions for the stereo-sync connector.

Table 3-5 Stereo-Sync Connector Pinouts

Pin	Signal
1	+12V DC output to stereo device
2	Ground
3	Stereo left/right eye signal (1=left, 0=right) (STEREO_LEFT)

BIOS Information

This chapter describes the functions and features of the AMI BIOS Setup Utility for the SGI Octane III deskside workstation. The AMI ROM BIOS is stored in a Flash EEPROM and can be updated as needed; check with your SGI sales or service representative for information on updates. This chapter covers basic navigation of the AMI BIOS Setup Utility screens.

Important: The BIOS information in this chapter is applicable to Intel Xeon based workstations only.

Starting the BIOS Setup Utility

To enter the AMI BIOS Setup Utility screens, press the <Delete> key while the system is booting up.

Note: In most cases, the <Delete> key is used to invoke the AMI BIOS setup screen. There are a few cases when other keys are used, such as <F1>, <F2>, etc.

Each main BIOS menu option is described in this manual. The Main BIOS setup menu screen has two main frames. The left frame displays all the options that can be configured. Grayed-out options cannot be configured. Options in blue can be configured by the user. The right frame displays the key legend. Above the key legend is an area reserved for a text message. When an option is selected in the left frame, it is highlighted in white. Often a text message will accompany it.

Note: The AMI BIOS has default text messages built in. These text messages may be included, omitted, or changed across BIOS releases.

The AMI BIOS Setup Utility uses a key-based navigation system called "hot keys". Most of the AMI BIOS setup utility "hot keys" can be used at any time during the setup navigation process. These keys include <F1>, <F10>, <Enter>, <ESC>, arrow keys, etc.

Note: Options printed in Bold are default settings.

How To Change the Configuration Data

The configuration data that determines the system parameters may be changed by entering the AMI BIOS Setup utility. This Setup utility can be accessed by pressing at the appropriate time during system boot.

Starting the Setup Utility

Normally, the only visible Power-On Self-Test (POST) routine is the memory test. As the memory is being tested, press the <Delete> key to enter the main menu of the AMI BIOS Setup Utility. From the main menu, you can access the other setup screens. An AMI BIOS identification string is displayed at the left bottom corner of the screen below the copyright message.



Warning: Do not upgrade the BIOS unless your system has a BIOS-related issue. Flashing the wrong BIOS can cause irreparable damage to the system. In no event shall SGI be liable for direct, indirect, special, incidental, or consequential damages arising from a BIOS update. If you have to update the BIOS, do not shut down or reset the system while the BIOS is updating. This is to avoid possible boot failure.

Main Setup

When you first enter the AMI BIOS Setup Utility, you will enter the Main setup screen. You can always return to the Main setup screen by selecting the Main tab on the top of the screen. The Main BIOS Setup screen is shown in Figure 4-1.

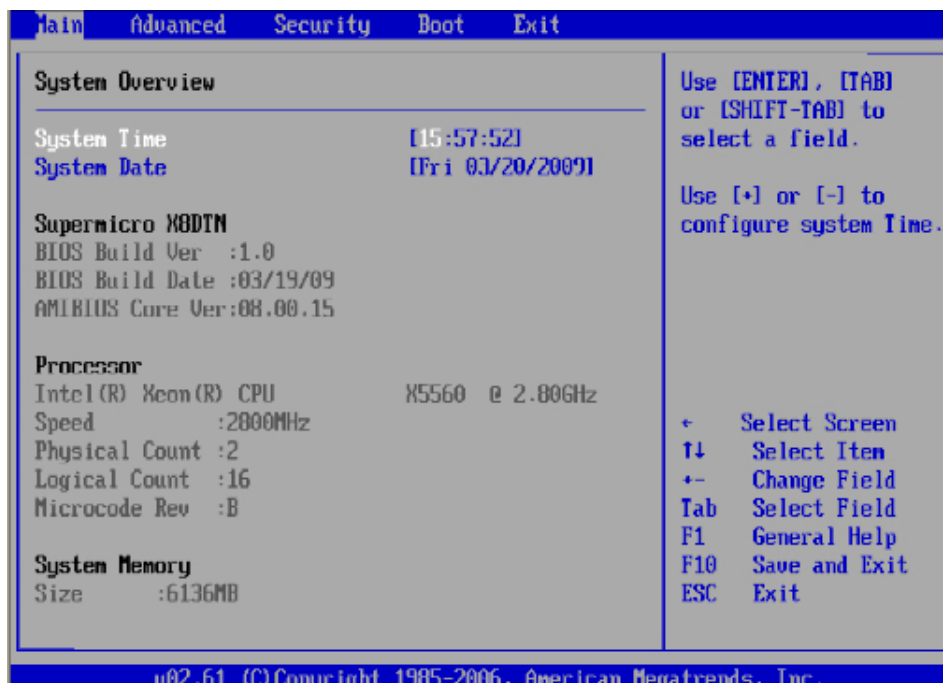


Figure 4-1 System Overview Main BIOS Setup Example Screen

System Time/System Update

Use this option to change the system time and date. Highlight System Time or System. Date using the arrow keys. Key in new values through the keyboard and press <Enter>. Press the <Tab> key to move between fields. The date must be entered in Day MM/DD/YY format. The time is entered in HH:MM:SS format.

Note: The time is in the 24-hour format. For example, 5:30 P.M. appears as 17:30:00.

System Board

- **BIOS Build Version:** This item displays the BIOS revision used in your system.

- **BIOS Build Date:** This item displays the date when this BIOS was completed.
- **AMI BIOS Core Version:** This item displays the revision number of the AMI BIOS Core upon which your BIOS was built.

Processor

The AMI BIOS will automatically display the status of the processor used in your system:

- **CPU Type:** This item displays the type of CPU used in the motherboard.
- **Speed:** This item displays the speed of the CPU detected by the BIOS.
- **Physical Count:** This item displays the number of processors installed in your system as detected by the BIOS.
- **Logical Count:** This item displays the number of CPU Cores installed in your system as detected by the BIOS.
- **Micro_code Revision:** This item displays the revision number of the BIOS Micro_code used in your system.

System Memory

This displays the size of memory available in the system:

- **Size:** This item displays the memory size detected by the BIOS

Advanced Setup Configurations

Use the arrow keys to select Boot Setup and hit <Enter> to access the submenu items shown in Figure 4-2 on page 33.

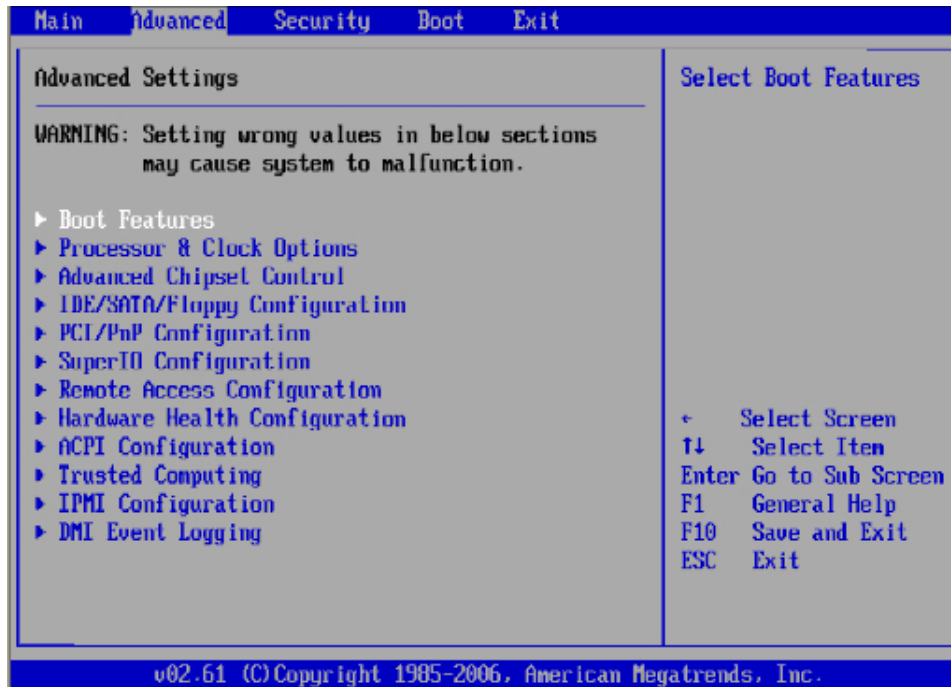


Figure 4-2 Advanced Settings Example Screen

Boot Features

This section describes the **Boot Features** options.

Quick Boot

If Enabled, this option will skip certain tests during POST to reduce the time needed for system boot. The options are **Enabled** and Disabled.

Note: The default option is highlighted in bold face throughout this chapter.

Quiet Boot

This option allows the bootup screen options to be modified between POST messages or the OEM logo. Select Disabled to display the POST messages. Select Enabled to display the OEM logo instead of the normal POST messages. The options are **Enabled** and Disabled.

AddOn ROM Display Mode

This sets the display mode for Option ROM. The options are **Force BIOS** and Keep Current.

Bootup Num-Lock

This feature selects the Power-on state for Numlock key. The options are Off and **On**.

Wait For 'F1' If Error

This forces the system to wait until the 'F1' key is pressed if an error occurs. The options are Disabled and **Enabled**.

Hit 'Del' Message Display

This feature displays "Press DEL to run Setup" during POST. The options are **Enabled** and Disabled.

Interrupt 19 Capture

Interrupt 19 is the software interrupt that handles the boot disk function. When this item is set to Enabled, the ROM BIOS of the host adaptors will "capture" Interrupt 19 at boot and allow the drives that are attached to these host adaptors to function as bootable disks. If this item is set to Disabled, the ROM BIOS of the host adaptors will not capture Interrupt 19, and the drives attached to these adaptors will not function as bootable devices. The options are Enabled and **Disabled**.

Power Configuration

This section describes power configuration options.

Power Button Function

If set to `Instant_Off`, the system will power off immediately as soon as the user hits the power button. If set to `4_Second_Override`, the system will power off when the user presses the power button for 4 seconds or longer. The options are **Instant_Off** and `4_Second_Override`.

Restore on AC Power Loss

Use this feature to set the power state after a power outage. Select `Power-Off` for the system power to remain off after a power loss. Select `Power-On` for the system power to be turned on after a power loss. Select `Last State` to allow the system to resume its last state before a power loss. The options are `Power-On`, `Power-Off` and **Last State**.

Watch Dog Timer

If enabled, the Watch Dog Timer will allow the system to reboot when it is inactive for more than 5 minutes. The options are `Enabled` and **Disabled**.

Processor and Clock Options

This submenu allows the user to configure the Processor and Clock settings.

Ratio CMOS Setting

This option allows the user to set the ratio between the CPU Core Clock and the FSB Frequency.

Note: If an invalid ratio is entered, the AMI BIOS will restore the setting to the previous state.

The default setting depends on the type of CPU installed on the motherboard. The default setting for the CPU installed in your motherboard is **[21]**. Press "+" or "-" on your keyboard to change this value.

C1E Support

Select `Enabled` to use the feature of Enhanced Halt State. C1E significantly reduces the CPU's power consumption by reducing the CPU's clock cycle and voltage during a "Halt State." The options are `Disabled` and **Enabled**.

Hardware Prefetcher (Available when supported by the CPU)

If set to Enabled, the hardware prefetcher will pre fetch streams of data and instructions from the main memory to the L2 cache in the forward or backward manner to improve CPU performance. The options are Disabled and **Enabled**.

Adjacent Cache Line Prefetch (Available when supported by the CPU)

The CPU fetches the cache line for 64 bytes if this option is set to Disabled. The CPU fetches both cache lines for 128 bytes as comprised if **Enabled**.

Intel Virtualization Technology (Available when supported by the CPU)

Select Enabled to use the feature of Virtualization Technology to allow one platform to run multiple operating systems and applications in independent partitions, creating multiple "virtual" systems in one physical computer. The options are **Enabled** and Disabled.

Note: If there is any change to this setting, you will need to power off and restart the system for the change to take effect. Please refer to Intel's web site for detailed information.

Execute-Disable Bit Capability (Available when supported by the OS and the CPU)

Set to Enabled to enable the Execute Disable Bit which will allow the processor to designate areas in the system memory where an application code can execute and where it cannot, thus preventing a worm or a virus from flooding illegal codes to overwhelm the processor or damage the system during an attack. The default is **Enabled**. (Refer to Intel and Microsoft Web Sites for more information.)

Simultaneous Multi-Threading (Available when supported by the CPU)

Set to Enabled to use the Simultaneous Multi-Threading Technology, which will result in increased CPU performance. The options are Disabled and **Enabled**.

Active Processor Cores

Set to Enabled to use a processor's Second Core and beyond. (Please refer to Intel's web site for more information.) The options are **All**, 1 and 2.

Intel EIST Technology

Enhanced Intel SpeedStep Technology (EIST) allows the system to automatically adjust processor voltage and core frequency in an effort to reduce power consumption and heat dissipation. Please refer to Intel's web site for detailed information. The options are **Disable (Disable GV3)** and **Enable (Enable GV3)**.

Intel TurboMode Technology (Available when Intel EIST Technology is enabled)

Select Enabled to use the Turbo Mode to boost system performance. The options are **Enabled** and **Disabled**.

Intel C-STATE Tech

If enabled, C-State is set by the system automatically to either C2, C3 or C4 state. The options are **Disabled** and **Enabled**.

C-State package limit setting (Available when Intel® C-State Tech is enabled)

If set to Auto, the AMI BIOS will automatically set the limit on the C-State package register. The options are **Auto**, C1, C3, C6 and C7.

C1 Auto Demotion

When enabled, the CPU will conditionally demote C3, C6 or C7 requests to C1 based on un-core auto-demote information. The options are **Disabled** and **Enabled**.

C3 Auto Demotion

When enabled, the CPU will conditionally demote C6 or C7 requests to C3 based on un-core auto-demote information. The options are **Disabled** and **Enabled**.

Clock Spread Spectrum

Select Enable to use the feature of Clock Spectrum, which will allow the BIOS to monitor and attempt to reduce the level of Electromagnetic Interference caused by the components whenever needed. The options are **Disabled** and **Enabled**.

Advanced Chipset Control

The items included in the Advanced Settings submenu are listed below:

CPU Bridge Configuration

QPI Links Speed

This feature selects QPI's data transfer speed. The options are Slow-mode, and **Full Speed**.

QPI Frequency

This selects the desired QPI frequency. The options are **Auto**, 4.800 GT, 5.866GT, 6.400 GT.

QPI L0s and L1

This enables the QPI power state to low power. L0s and L1 are automatically selected by the motherboard. The options are **Disabled** and Enabled.

Memory Frequency

This feature forces a DDR3 frequency slower than what the system has detected. The available options are **Auto**, Force DDR-800, Force DDR-1066, and Force DDR-1333.

Memory Mode

The options are **Independent**, Channel Mirror, Lockstep and Sparing.

Independent - All DIMMs are available to the operating system.

Channel Mirror - The motherboard maintains two identical copies of all data in memory for redundancy.

Lockstep - The motherboard uses two areas of memory to run the same set of operations in parallel.

Sparing - A preset threshold of correctable errors is used to trigger fail-over. The spare memory is put online and used as active memory in place of the failed memory.

Demand Scrubbing

A memory error-correction scheme where the Processor writes corrected data back into the memory block from where it was read by the Processor. The options are Enabled and **Disabled**.

Patrol Scrubbing

A memory error-correction scheme that works in the background looking for and correcting resident errors. The options are Enabled and **Disabled**.

Memory ECC Error Threshold

This feature allows the user to set the correctable memory ECC error limit for AMI BIOS to handle it. The Default setting is 255.

Throttling - Closed Loop/Throttling - Open Loop

Throttling improves reliability and reduces power in the processor by automatic voltage control during processor idle states. Available options are **Disabled** and Enabled. If Enabled, the following items will appear:

Hysteresis Temperature (Available for Closed Loop only)

Temperature Hysteresis is the temperature lag (in degrees Celsius) after the set DIMM temperature threshold is reached before Closed Loop Throttling begins. The options are Disabled, **1.5** degrees C, 3.0 degrees C, and 6.0 degrees C.

Guardband Temperature (Available for Closed Loop only)

This is the temperature which applies to the DIMM temperature threshold. Each step is in 0.5 degrees C increment. The default is **[006]**. Press "+" or "-" on your keyboard to change this value.

Inlet Temperature

This is the temperature detected at the chassis inlet. Each step is in 0.5 degrees C increment. The default is **[070]**. Press "+" or "-" on your keyboard to change this value.

Temperature Rise

This is the temperature rise to the DIMM thermal zone. Each step is in 0.5 degrees C increment. The default is **[020]**. Press "+" or "-" on your keyboard to change this value.

Air Flow

This is the air flow speed to the DIMM modules. Each step is one mm/ sec. The default is **[1500]**. Press "+" or "-" on your keyboard to change this value.

Altitude

This feature defines how many meters above or below sea level the system is located. The options are **Sea Level or Below**, 1~300, 301~600, 601~900, 901~1200, 1201~1500, 1501~1800, 1801~2100, 2101~2400, 2401~2700, 2701~3000.

DIMM Pitch

This is the physical space between each DIMM module. Each step is in 1/1000 of an inch. The default is **[400]**. Press "+" or "-" on your keyboard to change this value.

Serial Debug Message Level

This feature allows the user to set the level of debug messages to be displayed. The options are **None**, MIN, MAX and Test.

North Bridge Configuration

This feature allows the user to configure the settings for the Intel North Bridge chip.

Crystal Beach/Direct Memory Access (DMA)

This feature works with the Intel I/O Acceleration Technology (AT) to accelerate the performance of TOE devices.

Note: A TOE device is a specialized, dedicated processor that is installed on an add-on card or a network card to handle some or all packet processing of this add-on card.

When this feature is set to Enabled, it will enhance overall system performance by providing direct memory access for data transferring. The options are Enabled and **Disabled**.

Crystal Beach/ Direct Cache Access (DCA)

This feature is available when Crystal Beach/DMA is enabled. This feature works in conjunction with the Intel I/O AT to accelerate the performance of the TOE device. When this feature set to Enabled, it will enhance overall system performance by providing direct cache access for data transferring. The options are Enabled and **Disabled**.

Intel VT-d

Select Enabled to enable Intel's Virtualization Technology support for Direct I/O VT-d by reporting the I/O device assignments to VMM through the DMAR ACPI Tables.

This feature offers fully-protected I/O resource-sharing across the Intel platforms, providing the user with greater reliability, security and availability in networking and data-sharing. The settings are Enabled and **Disabled**.

SouthBridge Configuration

This feature allows the user to configure the settings for the Intel ICH South Bridge chipset.

USB Functions

This feature allows the user to decide the number of onboard USB ports to be enabled. The Options are: Disabled, 2 USB ports, 4 USB ports, 6 USB ports, 8 Ports, 10 Ports and **12 USB ports**.

Legacy USB Support

Select Enabled to use Legacy USB devices. If this item is set to Auto, Legacy USB support will be automatically enabled if a legacy USB device is installed on the motherboard, and vice versa. The settings are Disabled, **Enabled** and Auto.

USB 2.0 Controller

This item indicated if the USB 2.0 controller is activated. The options are Enabled and Disabled.

USB 2.0 Controller Mode

This setting allows you to select the USB 2.0 Controller mode. The options are Hi-Speed (480 Mbps) and **Full Speed (12 Mbps)**.

BIOS EHCI Hand-Off

Select Enabled to enable BIOS Enhanced Host Controller Interface support to provide a workaround solution for an operating system that does not have EHCI Hand-Off support. When enabled, the EHCI Interface will be changed from the BIOS-controlled to the OS-controlled. The options are Disabled and **Enabled**.

Intel PCI-X Hub Configuration

PCI Bus A0/B0 Frequency

This option allows the user to set the maximum PCI speed to be used in the PCI slot specified. Select Auto to allow the BIOS to automatically detect the capability of the device installed on the bus. The options are **Auto**, 33 MHz PCI, 66 MHz PCI, 66 MHz PCI-X MI, 100 MHz PCI-X MI, and 133 MHz PCI-X MI.

I/O Port Decode

This option allows the user to select the decode range for the I/O connections. The options are **4K Decode** and 1K Decode.

RAS Sticky Error Handling

This option allows the user to decide how to handle Sticky RAS errors. The options are **Clear Errors** and Leave Errors (unchanged).

VGA 16-Bit Decode

Select Enabled to enable the function of decoding VGA for the devices installed behind the PXH PCI Controller Hub. The options are **Enabled** and Disabled.

IDE and SATA Configuration

When this submenu is selected, the AMI BIOS automatically detects the presence of the IDE devices and displays the following items:

SATA#1 Configuration

If Compatible is selected, it sets SATA#1 to legacy compatibility mode, while selecting Enhanced sets SATA#1 to native SATA mode. The options are Disabled, **Compatible**, and Enhanced.

Configure SATA#1 as

This feature allows the user to select the drive type for SATA#1. The options are **IDE**, RAID and AHCI. (When the option-RAID is selected, the item-ICH RAID Code Base will appear. When the option-AHCI is selected, the item-SATA AHCI will be available.)

ICH RAID Code Base (This feature is available when the option-RAID is selected)

Select Intel to enable Intel's SATA RAID firmware to configure Intel's SATA RAID settings. Select Adaptec to enable Adaptec's SATA RAID firmware to configure Adaptec's SATA RAID settings. The options are **Intel** and Adaptec.

SATA AHCI (This feature is available when the option-AHCI is selected)

Select Enable to enable the function of Serial ATA Advanced Host Interface. (Take caution when using this function. This feature is for advanced programmers only.) The options are Enabled and Disabled. If the option-Enabled is selected, the following item will display.

SATA#2 Configuration (This feature is available when the option-IDE is selected)

Selecting Enhanced will set SATA#2 to native SATA mode. The options are Disabled, and **Enhanced**.

Primary IDE Settings

Primary IDE Master/Slave, Secondary IDE Master/Slave, Third IDE Master, and Fourth IDE Master

These settings allow the user to set the parameters of Primary IDE Master/Slave, Secondary IDE Master/Slave, Third and Fourth IDE Master slots. Hit <Enter> to activate the following

submenu screen for detailed options of these items. Set the correct configurations accordingly. The items included in the submenu are:

Type

Select the type of device connected to the system. The options are Not Installed, **Auto**, CD/DVD and ARMD.

LBA/Large Mode

LBA (Logical Block Addressing) is a method of addressing data on a disk drive. In the LBA mode, the maximum drive capacity is 137 GB. For drive capacities over 137 GB, your system must be equipped with a 48-bit LBA mode addressing. If not, contact your manufacturer or install an ATA/133 IDE controller card that supports 48-bit LBA mode. The options are Disabled and **Auto**.

Block (Multi-Sector Transfer)

Block Mode boosts the IDE drive performance by increasing the amount of data transferred. Only 512 bytes of data can be transferred per interrupt if Block Mode is not used. Block Mode allows transfers of up to 64 KB per interrupt. Select Disabled to allow data to be transferred from and to the device one sector at a time. Select Auto to allow data transfer from and to the device occur multiple sectors at a time if the device supports it. The options are **Auto** and Disabled.

PIO Mode

The IDE PIO (Programmable I/O) Mode programs timing cycles between the IDE drive and the programmable IDE controller. As the PIO mode increases, the cycle time decreases. The options are Auto, 0, 1, 2, 3, and 4.

Select Auto to allow the AMI BIOS to automatically detect the PIO mode. Use this value if the IDE disk drive support cannot be determined.

Select 0 to allow the AMI BIOS to use PIO mode 0. It has a data transfer rate of 3.3 MBs.

Select 1 to allow the AMI BIOS to use PIO mode 1. It has a data transfer rate of 5.2 MBs.

Select 2 to allow the AMI BIOS to use PIO mode 2. It has a data transfer rate of 8.3 MBs.

Select 3 to allow the AMI BIOS to use PIO mode 3. It has a data transfer rate of 11.1 MBs.

Select 4 to allow the AMI BIOS to use PIO mode 4. It has a data transfer bandwidth

of 32-Bits. Select Enabled to enable 32-Bit data transfer.

DMA Mode

Select Auto to allow the BIOS to automatically detect IDE DMA mode when the IDE disk drive support cannot be determined.

Select SWDMA0 to allow the BIOS to use Single Word DMA mode 0. It has a data transfer rate of 2.1 MBs.

Select SWDMA1 to allow the BIOS to use Single Word DMA mode 1. It has a data transfer rate of 4.2 MBs.

Select SWDMA2 to allow the BIOS to use Single Word DMA mode 2. It has a data transfer rate of 8.3 MBs.

Select MWDMA0 to allow the BIOS to use Multi Word DMA mode 0. It has a data transfer rate of 4.2 MBs.

Select MWDMA1 to allow the BIOS to use Multi Word DMA mode 1. It has a data transfer rate of 13.3 MBs.

Select MWDMA2 to allow the BIOS to use Multi-Word DMA mode 2. It has a data transfer rate of 16.6 MBs.

Select UDMA0 to allow the BIOS to use Ultra DMA mode 0. It has a data transfer rate of 16.6 MBs. It has the same transfer rate as PIO mode 4 and Multi Word DMA mode 2.

Select UDMA1 to allow the BIOS to use Ultra DMA mode 1. It has a data transfer rate of 25 MBs.

Select UDMA2 to allow the BIOS to use Ultra DMA mode 2. It has a data transfer rate of 33.3 MBs.

Select UDMA3 to allow the BIOS to use Ultra DMA mode 3. It has a data transfer rate of 66.6 MBs.

Select UDMA4 to allow the BIOS to use Ultra DMA mode 4. It has a data transfer rate of 100 MBs.

Select UDMA5 to allow the BIOS to use Ultra DMA mode 5. It has a data transfer rate of 133 MBs.

Select UDMA6 to allow the BIOS to use Ultra DMA mode 6. It has a data transfer rate of 133 MBs. The options are Auto, SWDMAn, MWDMAn, and UDMAn.

S.M.A.R.T. For Hard disk drives

Self-Monitoring Analysis and Reporting Technology (SMART) can help predict impending drive failures. Select Auto to allow the AMI BIOS to automatically detect hard disk drive support. Select Disabled to prevent the AMI BIOS from using the S.M.A.R.T. Select Enabled to allow the AMI BIOS to use the S.M.A.R.T. to support hard drive disk. The options are Disabled, Enabled, and **Auto**.

32Bit Data

Select Enable to enable the function of 32-bit IDE data transfer. The options are **Enabled** and Disabled.

Hot Plug

This feature is available when the option-AHCI Under "Configure SATA#1 as" is selected.

Select Enable to enable the hot plug function for the SATA devices. The options are **Enabled** and Disabled.

IDE Detect Timeout (sec)

Use this feature to set the time-out value for the BIOS to detect the ATA, ATAPI devices installed in the system. The options are 0 (sec), 5, 10, 15, 20, 25, 30, and **35**.

PCI/PnP Configuration

Clear NVRAM

This feature clears the NVRAM during system boot. The options are **No** and Yes.

Plug & Play OS

Selecting Yes allows the OS to configure Plug & Play devices. (This is not required for system boot if your system has an OS that supports Plug & Play.) Select **No** to allow the AMI BIOS to configure all devices in the system.

PCI Latency Timer

This feature sets the latency Timer of each PCI device installed on a PCI bus. Select 64 to set the PCI latency to 64 PCI clock cycles. The options are 32, **64**, 96, 128, 160, 192, 224 and 248.

PCI IDE BusMaster

When enabled, the BIOS uses PCI bus mastering for reading/writing to IDE drives. The options are Disabled and **Enabled**.

Load Onboard LAN1 Option ROM/Load Onboard LAN2 Option ROM

Select Enabled to enable the onboard LAN1 or LAN2 Option ROM. This is to boot computer using a network interface. The options are Enabled and **Disabled**.

Super IO Device Configuration

Serial Port1 Address/ Serial Port2 Address

This option specifies the base I/O port address and the Interrupt Request address of Serial Port 1 and Serial Port 2. Select Disabled to prevent the serial port from accessing any system resources. When this option is set to Disabled, the serial port physically becomes unavailable. Select 3F8/IRQ4 to allow the serial port to use 3F8 as its I/O port address and IRQ 4 for the interrupt address. The options for Serial Port1 are Disabled, 3F8/IRQ4, 3E8/IRQ4, 2E8/IRQ3. The options for Serial Port2 are Disabled, 2F8/IRQ3, 3E8/IRQ4, and 2E8/IRQ3.

Remote Access Configuration

Remote Access

This allows the user to enable the Remote Access feature. The options are Disabled and **Enabled**.

If Remote Access is set to Enabled, the following items will display:

Serial Port Number

This feature allows the user decide which serial port to be used for Console Redirection. The options are **COM 1** and COM 2.

Base Address, IRQ

This item displays the based address and IRQ of the serial port specified above. The options are **COM 1** and **COM 2**.

Serial Port Mode

This feature allows the user to set the serial port mode for Console Redirection. The options are **115200 8, n 1**; 57600 8, n, 1; 38400 8, n, 1; 19200 8, n, 1; and 9600 8, n, 1.

Flow Control

This feature allows the user to set the flow control for Console Redirection. The options are **None**, **Hardware**, and **Software**.

Redirection After BIOS POST

Select **Disabled** to turn off Console Redirection after Power-On Self-Test (POST). Select **Always** to keep Console Redirection active all the time after POST.

Note: This setting may not be supported by some operating systems.

Select **Boot Loader** to keep Console Redirection active during POST and Boot Loader. The options are **Disabled**, **Boot Loader**, and **Always**.

Terminal Type

This feature allows the user to select the target terminal type for Console Redirection. The options are **ANSI**, **VT100**, and **VT-UTF8**.

VT-UTF8 Combo Key Support

A terminal keyboard definition that provides a way to send commands from a remote console. Available options are **Enabled** and **Disabled**.

Sredir Memory Display Delay

This feature defines the length of time in seconds to display memory information. The options are **No Delay**, **Delay 1 Sec**, **Delay 2 Sec**, and **Delay 4 Sec**.

Hardware Health Monitor

This feature allows the user to monitor system health and review the status of each item as displayed.

CPU Overheat Alarm

This option allows the user to select the CPU Overheat Alarm setting which determines when the CPU OH alarm will be activated to provide warning of possible CPU overheat.



Warning: Any temperature that exceeds the CPU threshold temperature predefined by the CPU manufacturer may result in CPU overheat or system instability. When the CPU temperature reaches this predefined threshold, the CPU and system cooling fans will run at full speed. To avoid possible system overheating, please be sure to provide adequate airflow to your system.

The options are:

- The Early Alarm: Select this setting if you want the CPU overheat alarm (including the LED and the buzzer) to be triggered as soon as the CPU temperature reaches the CPU overheat threshold as predefined by the CPU manufacturer.
- The Default Alarm: Select this setting if you want the CPU overheat alarm including the LED and the buzzer) to be triggered when the CPU temperature reaches about 5 degrees C above the threshold temperature as predefined by the CPU manufacturer to give the CPU and system fans additional time needed for CPU and system cooling. In both the alarms above, please take immediate action as shown below.

CPU Temperature/System Temperature

This feature displays current temperature readings for the CPU and the System.

The following items will be displayed for your reference only:

CPU Temperature

The CPU thermal technology that reports absolute temperatures (Celsius/Fahrenheit) has been upgraded to a more advanced feature by Intel in its newer processors. The basic concept is each CPU is embedded by unique temperature information that the motherboard can read. This 'Temperature Threshold' or 'Temperature Tolerance' has been assigned at the factory and is the

baseline on which the motherboard takes action during different CPU temperature conditions (for example, by increasing CPU Fan speed, triggering the Overheat Alarm, etc). Since CPUs can have different ‘Temperature Tolerances’, the installed CPU can now send information to the motherboard what its ‘Temperature Tolerance’ is, and not the other way around. This results in better CPU thermal management.

The system leverages this feature by assigning a temperature status to certain thermal conditions in the processor (Low, Medium and High). This makes it easier for the user to understand the CPU’s temperature status, rather than by just simply seeing a temperature reading (for example, 25 degrees C). The CPU Temperature feature will display the CPU temperature status as detected by the BIOS:

Low – This level is considered as the ‘normal’ operating state. The CPU temperature is well below the CPU ‘Temperature Tolerance’. The motherboard fans and CPU will run normally as configured in the BIOS (Fan Speed Control).

User intervention: No action required.

Medium – The processor is running warmer. This is a ‘precautionary’ level and generally means that there may be factors contributing to this condition, but the CPU is still within its normal operating state and below the CPU ‘Temperature Tolerance’. The motherboard fans and CPU will run normally as configured in the BIOS. The fans may adjust to a faster speed depending on the Fan Speed Control settings.

User intervention: No action is required. However, consider checking the CPU fans and the chassis ventilation for blockage.

High – The processor is running hot. This is a ‘caution’ level since the CPU’s ‘Temperature Tolerance’ has been reached (or has been exceeded) and may activate an overheat alarm.

User intervention: If the system buzzer and Overheat LED has activated, take action immediately by checking the system fans, chassis ventilation and room temperature to correct any problems.

Note: The system may shut down if it continues for a long period to prevent damage to the CPU. The information provided above is for your reference only. For more information on thermal management, please refer to Intel’s web site at www.intel.com.

System Temperature

The system temperature will be displayed (in degrees in Celsius and Fahrenheit) as it is detected by the BIOS.

Fan Speed Readings

This feature displays the fan speed readings from Fan1 through Fan 8.

Fan Speed Control Monitor

This feature allows the user to decide how the system controls the speeds of the onboard fans. The CPU temperature and the fan speed are correlative. When the CPU on-die temperature increases, the fan speed will also increase, and vice versa. Select Workstation if your system is used as a Workstation. Select Server if your system is used as a Server. Select “Disabled, (Full Speed @12V)” to disable the fan speed control function and allow the on-board fans to constantly run at the full speed (12V). The Options are: 1. **Disabled (Full Speed)**, 2. Server Mode, 3. Workstation Mode.

Voltages Readings

The following voltage readings will be displayed.

CPU1 Vcore, CPU2 Vcore, +5Vin, +12V, -12V 3.3Vcc (V), and Battery Voltage

ACPI Configuration

Use this feature to configure Advanced Configuration and Power Interface (ACPI) power management settings for your system.

ACPI Version Features

The options are ACPI v1.0, ACPI v2.0 and ACPI v3.0. Please refer to ACPI's website for further explanation: <http://www.acpi.info/>.

ACPI APIC Support

Select Enabled to include the ACPI APIC Table Pointer in the RSDT (Root System Description Table) pointer list. The options are **Enabled** and Disabled.

APIC ACPI SCI IRQ

When this item is set to Enabled, APIC ACPI SCI IRQ is supported by the system. The options are Enabled and **Disabled**.

Headless Mode

This feature is used to enable system to function without a keyboard, monitor or mouse attached. The options are Enabled and **Disabled**.

High Performance Event Timer

Select Enabled to activate the High Performance Event Timer (HPET) that produces periodic interrupts at a much higher frequency than a Real-time Clock (RTC) does in synchronizing multimedia streams, providing smooth playback and reducing the dependency on other timestamp calculation devices, such as an x86 RDTSC Instruction embedded in the CPU. The High Performance Event Timer is used to replace the 8254 Programmable Interval Timer. The options are Enabled and **Disabled**.

Trusted Computing

TCG/TPM Support

Select Yes on this item and enable the TPM jumper on the motherboard to enable TCG (TPM 1.1/1.2)/TPM support in order to improve data integrity and network security. The options are **No** and **Yes**.

If this feature is set to Yes, the following items will display:

TPM Enable/Disable Status

This item displays the status of TPM Support to indicate if TPM is currently enabled or disabled.

TPM Owner Status

This item displays the status of TPM Ownership.

IPMI Configuration

Intelligent Platform Management Interface (IPMI) is a set of common interfaces that IT administrators can use to monitor system health and to manage the system as a whole. For more information on the IPMI specifications, please visit Intel's website at www.intel.com.

Status of BMC

Baseboard Management Controller (BMC) manages the interface between system management software and platform hardware. This is an informational feature which returns the status code of the BMC micro controller.

View BMC System Event Log

This feature displays the BMC System Event Log (SEL). It shows the total number of entries of BMC System Events. To view an event, select an Entry Number and pressing <Enter> to display the information as shown in the screen.

- Total Number of Entries
- SEL Entry Number
- SEL Record ID
- SEL Record Type
- Timestamp, Generator ID
- Event Message Format User
- Event Sensor Type
- Event Sensor Number
- Event Dir Type
- Event Data

Clear BMC System Event Log

Select OK and press the <Enter> key to clear the BMC system log. Select Cancel to keep the BMC System log. The options are OK and Cancel.



Caution: Any cleared information is unrecoverable. Make absolutely sure that you no longer need any data stored in the log before clearing the BMC Event Log.

Set LAN Configuration

Set this feature to configure the IPMI LAN adapter with a network address as shown in the following graphics.

Channel Number - Enter the channel number for the SET LAN Config command. This is initially set to [1]. Press "+" or "-" on your keyboard to change the Channel Number.

Channel Number Status -This feature returns the channel status for the Channel Number selected above: "Channel Number is OK" or "Wrong Channel Number".

IP Address Configuration

Enter the IP address for this machine. This should be in decimal and in dotted quad form (i.e., 192.168.10.253). The value of each three-digit number separated by dots should not exceed 255 as shown in the screen below.

Parameter Selector

Use this feature to select the parameter of your IP Address configuration.

IP Address

The BIOS will automatically enter the IP address of this machine; however it may be over-written. IP addresses are 6 two-digit hexadecimal numbers (Base 16, 0 ~ 9, A, B, C, D, E, F) separated by dots. (for example, 00.30.48.D0.D4.60).

Current IP Address in BMC

This item displays the current IP address used for your IPMI connection.

MAC Address Configuration

Enter the Mac address for this machine. This should be in decimal and in dotted quad form (for example, 192.168.10.253). The value of each three-digit number separated by dots should not exceed 255.

Parameter Selector

Use this feature to select the parameter of your Mac Address configuration.

Mac Address

The BIOS will automatically enter the Mac address of this machine; however, it may be over-ridden. Mac addresses are 6 two-digit hexadecimal numbers (Base 16, 0 ~ 9, A, B, C, D, E, F) separated by dots. (i.e., 00.30.48.D0.D4.60).

Current Mac Address in BMC

This item displays the current Mac address used for your IPMI connection.

Subnet Mask Configuration

Subnet masks tell the network which subnet this machine belongs to. The value of each three-digit number separated by dots should not exceed 255.

Parameter Selector

Use this feature to select the parameter of your Subnet Masks configuration.

Subnet Mask

This item displays the current subnet mask setting for your IPMI connection.

SEL PEF Configuration

PEF Support

Select Enabled to enable the function of Platform Event Filter (PEF) which will interpret BMC events and perform actions based on pre-determined settings or events and performs actions based on pre-determined settings or 'traps' under IPMI 1.5 specifications. For example, powering the system down or sending an alert when a triggering event is detected. The default is **Disabled**.

PEF Action Global Control

Note: Available if the item-PEF Support is enabled.

These are the different actions based on BMC events. The options are Alert, Power Down, Reset System, Power Cycle, OEM Action, Diagnostic Interface.

Alert Startup Delay

Note: Available if the item-PEF Support is enabled.

This feature inserts a delay during startup for PEF alerts. The options are Enabled and **Disabled**.

PEF Alert Startup Delay

Note: Available if the item-PEF Support is enabled.

This sets the pre-determined time to delay PEF alerts after system power-ups and resets. Refer to Table 24.6 of the IPMI 1.5 Specification for more information at www.intel.com. The options are **No Delay**, 30 sec, 60 sec, 1.5 min, 2.0 min.

Startup Delay

Note: Available if the item-PEF Support is enabled.

This feature enables or disables startup delay. The options are Enabled and **Disabled**.

PEF Startup Delay

Note: Available if the item-PEF Startup is enabled.

This sets the pre-determined time to delay PEF after system power-ups and resets. Refer to Table 24.6 of the IPMI 1.5 Specification for more information at www.intel.com. The options are No Delay, 30 sec, 60 sec, 1.5 min, 2.0 min.

Event Message for PEF Action

Note: Available if the item-PEF Support is enabled.

This enables or disables Event Messages for PEF action. Refer to Table 24.6 of the IPMI 1.5 Specification for more information at www.intel.com. The options are **Disabled** and Enabled.

BMC Watch Dog Timer Action

Allows the BMC to reset or power down the system if the operating system hangs or crashes. The options are Disabled, Reset System, Power Down, Power Cycle.

BMC Watch Dog TimeOut [Min:Sec]

This option appears if BMC Watch Dog Timer Action (above) is enabled. This is a timed delay in minutes or seconds, before a system power down or reset after an operating system failure is detected. The options are [**5 Min**], [1 Min], [30 Sec], and [10 Sec].

DMI Event Log

View Event Log

Use this option to view the System Event Log.

Mark all events as read

This option marks all events as read. The options are OK and Cancel.

Clear event log

This option clears the Event Log memory of all messages. The options are OK and **Cancel**.

Security Settings

The AMIBIOS Setup Utility provides a Supervisor and a User password. If you use both passwords, the Supervisor password must be set first. See Figure 4-3.

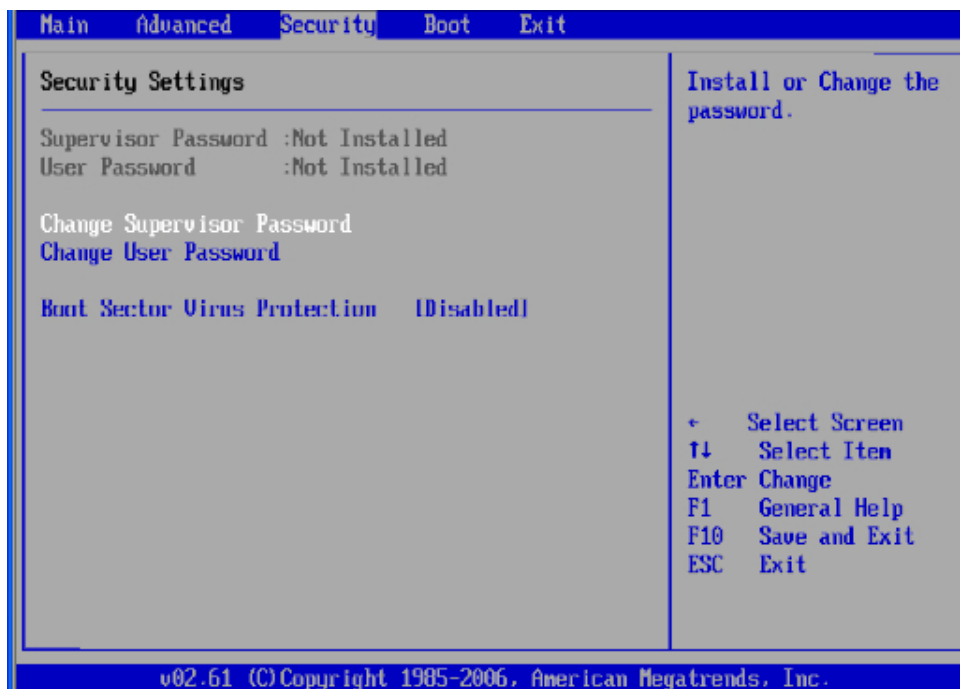


Figure 4-3 Security Settings Example Screen

This feature indicates if a supervisor's password has been entered (installed).

User Password

This feature indicates if a user's password has been entered (installed).

Change Supervisor Password

Select this option and press <Enter> to access the submenu, and then enter the password.

Change User Password

Select this option and press <Enter> to access the submenu, and then enter the password.

Clear User Password

Note: Available only if User Password has been set.

This item allows you to clear a user password after it has been entered.

Password Check

This item allows you to check a password after it has been entered. The options are **Setup** and **Always**.

Boot Sector Virus Protection

When Enabled, the AMI BIOS displays a warning when any program (or virus) issues a Disk Format command or attempts to write to the boot sector of the hard disk drive. The options are Enabled and **Disabled**.

Boot Configuration

Use this feature to configure boot settings (see Figure 4-4).



Figure 4-4 Boot Settings Example Screen

Boot Device Priority

This feature allows the user to specify the sequence of priority for the Boot Device. The settings are 1st boot device, 2nd boot device, 3rd boot device, 4th boot device, 5th boot device and Disabled.

- 1st Boot Device - [USB: XXXXXXXXXX]
- 2nd Boot Device - [CD/DVD: XXXXXXXXXX]

Hard Disk Drives

This feature allows the user to specify the boot sequence from all available hard disk drives. The settings are Disabled and a list of all hard disk drives that have been detected (for example, 1st Drive, 2nd Drive, 3rd Drive, etc).

- 1st Drive - [SATA: XXXXXXXXXXXX]

Removable Drives

This feature allows the user to specify the boot sequence from available Removable Drives. The settings are 1st boot device, 2nd boot device, and Disabled.

- 1st Drive - [USB: XXXXXXXXXXXX]
- 2nd Drive

Exit Options

Select the Exit tab from the AMI BIOS Setup Utility screen to enter the Exit BIOS Setup screen. See Figure 4-5.

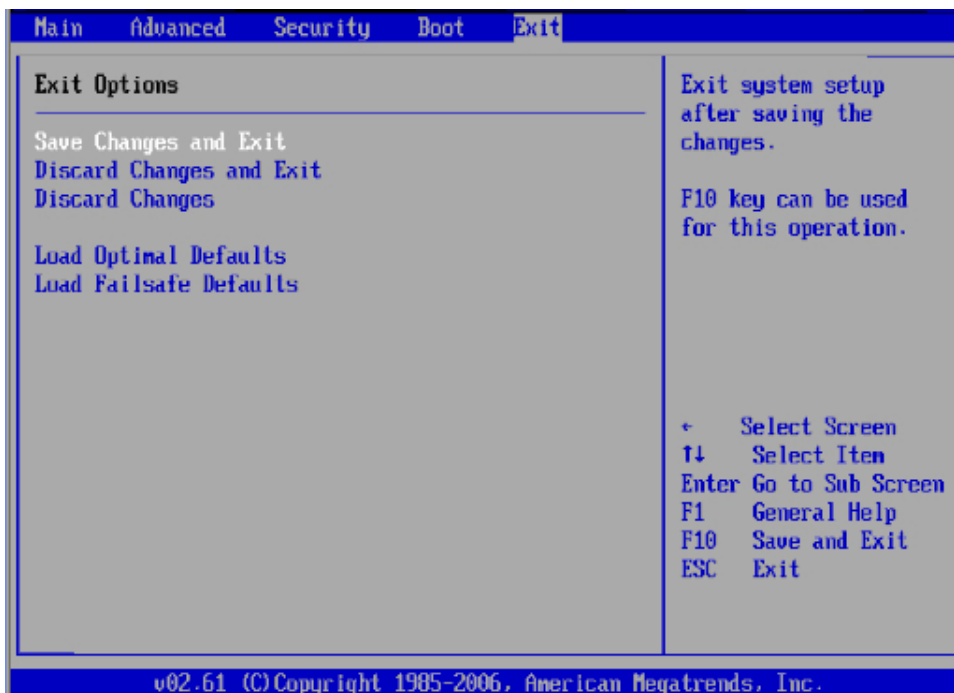


Figure 4-5 Exit Options Example Screen

Save Changes and Exit

When you have completed the system configuration changes, select this option to leave the BIOS Setup Utility and reboot the computer, so the new system configuration parameters can take effect. Select Save Changes and Exit from the Exit menu and press <Enter>.

Discard Changes and Exit

Select this option to quit the BIOS Setup without making any permanent changes to the system configuration, and reboot the computer. Select Discard Changes and Exit from the Exit menu and press <Enter>.

Discard Changes

Select this option and press <Enter> to discard all the changes and return to the AMI BIOS Utility Program.

Load Optimal Defaults

To set this feature, select Load Optimal Defaults from the Exit menu and press <Enter>. Then, select OK to allow the AMI BIOS to automatically load Optimal Defaults to the BIOS Settings. The Optimal settings are designed for maximum system performance, but may not work best for all computer applications.

Load Fail-Safe Defaults

To set this feature, select Load Fail-Safe Defaults from the Exit menu and press <Enter>. The Fail-Safe settings are designed for maximum system stability, but not for maximum performance.

BIOS Error Beep Codes

During the POST (Power-On Self-Test) routines, which are performed each time the system is powered on, errors may occur.

Non-fatal errors are those which, in most cases, allow the system to continue the boot-up process. The error messages normally appear on the screen.

Fatal errors are those which will not allow the system to continue the boot-up procedure. If a fatal error occurs, you should consult with your system manufacturer for possible repairs.

BIOS Error Beep Code List

The following list of error codes may be helpful in diagnosing certain system problems.

BIOS Error Beep Codes		
Beep Code	Error Message	Description
1 beep	Refresh	Circuits have been reset. (Ready to power up)
5 short beeps + 1 long beep	Memory error	No memory detected in the system
8 beeps 1 continuous beep (with the front panel OH LED on)	Display memory read/write error System Overheat	Video adapter missing or with faulty memory 1 continuous beep with the front panel OH LED on

Technical Specifications

This appendix contains technical specification information about your system.

System Specifications and Features

Table A-1 shows the physical specifications of the SGI Octane III deskside system.

Table A-1 SGI Octane III Enclosure Physical Specifications

System Features	Specification
Enclosure height	28.2 in. (71.6 cm)
Enclosure width	12.5 in. (31.75 cm)
Enclosure depth	26.5 in. (67.3 cm)
Weight (full) maximum	178 lbs. (81 kg) approximate
Voltage range	100-127 VAC at 12 Amps (per supply) 200-240 VAC at 7 Amps (per supply)
Cycles per second	50 or 60 Hz (single-phase AC)
System Cooling	Six (6) enclosure fans on front and rear (12 total)
Phase required	Single-phase
Power supply	Two internal supplies
Hard drive bays	Up to four with each 3U tray
Power cable	Dual-pluggable cords
PCIe slots	PCI-Express x16 and x8 slots available in each tray
Workstation motherboard dimensions	6.5 in. (165 mm) x 16.4 in (417 mm). One motherboard per compute/graphics tray

Environmental Specifications

Table A-2 lists the environmental specifications of the system.

Table A-2 Environmental Specifications

Feature	Specification
Temperature tolerance (operating)	+5 °C (41 °F) to +35 °C (95 °F) (up to 1500 m / 5000 ft.) +5 °C (41 °F) to +30 °C (86 °F) (1500 m to 3000 m /5000 ft. to 10,000 ft.)
Temperature tolerance (non-operating)	-40 °C (-40 °F) to +60 °C (140 °F)
Relative humidity	10% to 80% operating (no condensation) 8% to 95% non-operating (no condensation)
Cooling requirement	Ambient air or optional water cooling
Maximum altitude	10,000 ft. (3,049 m) operating 40,000 ft. (12,195 m) non-operating

Optional Solid State Disk Parameters

Table A-3 shows the basic operating parameters of the optional solid state disks available with the Octane III systems. Note that MLC drives used beyond the capacity of their total projected write life will not be replaced under warranty. STEC drives are warranted for three years regardless of the number of writes. Both the MLC and STEC drives use a volatile write cache and are subject to data loss during a power failure; this could cause XFS file system corruption and require file repairs.

Table A-3 Solid State Disk (SSD) Operating Parameters

SSD type	Drive capacity	Write size	Program/erase cycles	Projected write life
Intel MLC	80 GB	4 KB average	2,500 lifetime minimum	7.5 TB
Intel MLC	160 GB	4 KB average	2,500 lifetime minimum	15 TB
STEC Mach8	60 GB	Variable	100,000 minimum over the life of the drive	Unlimited writes over three years