



SGI® Rackable™ C2112-4G10
System User's Guide

007-5778-001

COPYRIGHT

© 2011 SGI. All rights reserved; provided portions may be copyright in third parties, as indicated elsewhere herein. No permission is granted to copy, distribute, or create derivative works from the contents of this electronic documentation in any manner, in whole or in part, without the prior written permission of SGI.

LIMITED RIGHTS LEGEND

The software described in this document is “commercial computer software” provided with restricted rights (except as to included open/free source) as specified in the FAR 52.227-19 and/or the DFAR 227.7202, or successive sections. Use beyond license provisions is a violation of worldwide intellectual property laws, treaties and conventions. This document is provided with limited rights as defined in 52.227-14.

The electronic (software) version of this document was developed at private expense; if acquired under an agreement with the USA government or any contractor thereto, it is acquired as “commercial computer software” subject to the provisions of its applicable license agreement, as specified in (a) 48 CFR 12.212 of the FAR; or, if acquired for Department of Defense units, (b) 48 CFR 227-7202 of the DoD FAR Supplement; or sections succeeding thereto. Contractor/manufacturer is SGI, 46600 Landing Parkway, Fremont, CA 94538.

TRADEMARKS AND ATTRIBUTIONS

SGI, and the SGI logo are registered trademarks and Rackable is a trademark of Silicon Graphics International in the United States and/or other countries worldwide.

AMD is a registered trademark and Opteron is a trademark of Advanced Micro Devices, Inc.

AMIBIOS is a registered trademark of American Megatrends Inc. (AMI) in the United States and other countries.

HyperTransport is a licensed trademark of the HyperTransport Technology Consortium.

InfiniBand is a registered trademark of the InfiniBand Trade Association.

Intel, Itanium, and Xeon are trademarks or registered trademarks of Intel Corporation or its subsidiaries in the United States and other countries.

Internet Explorer and MS-DOS are registered trademarks of Microsoft Corporation.

Java and Java Virtual Machine are trademarks or registered trademarks of Sun Microsystems, Inc.

Linux is a registered trademark of Linus Torvalds, used with permission by SGI.

Novell and Novell Netware are registered trademarks of Novell Inc.

PCIe and PCI-X are registered trademarks of PCI SIG.

Phoenix and PhoenixBIOS are registered trademarks of Phoenix Technologies Ltd.

Red Hat and all Red Hat-based trademarks are trademarks or registered trademarks of Red Hat, Inc. in the United States and other countries.

SUSE LINUX and the SUSE logo are registered trademarks of Novell, Inc.

UNIX is a registered trademark in the United States and other countries, licensed exclusively through X/Open Company, Ltd.

All other trademarks mentioned herein are the property of their respective owners.

Record of Revision

Version	Description
001	October 2011 First release

About This Guide

This guide provides an overview of the installation, architecture, general operation, and descriptions of the major components in the SGI® Rackable™ C2112-4G10 server. It also provides basic troubleshooting and maintenance information, BIOS information, and important safety and regulatory specifications.

Audience

This guide is written for users of SGI Rackable C2112-4G10 server systems. It is written with the assumption that the reader has a good working knowledge of computers and computer systems. This guide may be useful to installers and system administrators looking for overview information on the server.

Chapter Descriptions

The following topics are covered in this guide:

- Chapter 1, “Introduction”
Provides an overview of the server’s components.
- Chapter 2, “Server Installation”
Provides a quick setup checklist to get the server operational.
- Chapter 3, “System Interface”
Describes several LEDs on the control panel as well as others on the SATA drive carriers that keep you constantly informed of the overall status of the system as well as the activity and health of specific components.
- Chapter 4, “System Safety”
Provides general system safety information.
- Chapter 5, “System Serverboard Information”

Provides best practice procedures to work with a node board in the C2112-4G10 chassis, install memory DIMMs, PCIe expansion cards and 3.5-inch hard disk drives.

- **Chapter 6, “Basic Troubleshooting and Chassis Service”**
Describes some basic steps required to troubleshoot your system. Additional sections in this chapter are intended to guide you through basic component remove and replace procedures.
- **Chapter 7, “BIOS”**
Describes the AMI BIOS Setup Utility for the system serverboard.
- **Appendix A, “BIOS Error Codes,”**
Provides a brief listing of BIOS error code information.
- **Appendix B, “System Specifications,”**
Describes system component environmental specifications and compliance.

Related Publications

The following documents may be relevant to the use of your server:

- *SGI Performance Suite* series documentation
- *SGI InfiniteStorage* series documentation
- Man pages (online)

You can obtain SGI documentation, release notes, or man pages in the following ways:

- Refer to the SGI Technical Publications Library at <http://docs.sgi.com>. Various formats are available. This library contains the most recent and most comprehensive set of online books, release notes, man pages, and other information.
- You can also view man pages by typing **man <title>** on a command line.

SGI systems include a set of Linux® man pages, formatted in the standard UNIX® “man page” style. Important system configuration files and commands are documented on man pages. These are found online on the internal system disk (or DVD-CD) and are displayed using the **man** command. For example, to display the man page for the **xscsidisktest** command, type the following on a command line:

```
man xscsidisktest
```

For additional information about displaying man pages using the **man** command, see **man(1)**.

In addition, the **apropos** command locates man pages based on keywords. For example, to display a list of man pages that describe disks, type the following on a command line:

```
apropos disk
```

For information about setting up and using **apropos**, see **apropos(1)**.

Conventions

The following conventions are used throughout this document:

Convention	Meaning
Command	This fixed-space font denotes literal items such as commands, files, routines, path names, signals, messages, and programming language structures.
<i>variable</i>	The italic typeface denotes variable entries and words or concepts being defined. Italic typeface is also used for book titles.
user input	This bold fixed-space font denotes literal items that the user enters in interactive sessions. Output is shown in nonbold, fixed-space font.
[]	Brackets enclose optional portions of a command or directive line.
...	Ellipses indicate that a preceding element can be repeated.
man page(x)	Man page section identifiers appear in parentheses after man page names.
GUI element	This font denotes the names of graphical user interface (GUI) elements such as windows, screens, dialog boxes, menus, toolbars, icons, buttons, boxes, fields, and lists.

Product Support

SGI provides a comprehensive product support and maintenance program for its products. SGI also offers services to implement and integrate Linux applications in your environment.

- Refer to <http://www.sgi.com/support/>
- If you are in North America, contact the Technical Assistance Center at +1 800 800 4SGI or contact your authorized service provider.
- If you are outside North America, contact the SGI subsidiary or authorized distributor in your country.

Reader Comments

If you have comments about the technical accuracy, content, or organization of this document, contact SGI. Be sure to include the title and document number of the manual with your comments. (Online, the document number is located in the front matter of the manual. In printed manuals, the document number is located at the bottom of each page.)

You can contact SGI in any of the following ways:

- Send e-mail to the following address: techpubs@sgi.com
- Contact your customer service representative and ask that an incident be filed in the SGI incident tracking system.
- Send mail to the following address:

SGI
Technical Publications
46600 Landing Parkway
Fremont, CA 94538

SGI values your comments and will respond to them promptly.

Contents

Related Publications	vii
Conventions	viii
Product Support	viii
Reader Comments	ix
1 Introduction	1
Server Board Features	3
Processors	3
HyperTransport Interconnect	3
Memory	3
Serial ATA	3
PCI Expansion Slots	4
Onboard Controllers/Ports	4
Onboard Graphics Controller	4
Optional InfiniBand Connector	4
On-board “Health” Features	4
Server Chassis Features	5
System Power	5
Serial ATA Drive Subsystems	5
Front Control Panels	5
Serverboard	6
Cooling System	6
2 Server Installation	9
Unpack the System	9
Prepare for Setup	9
Choose a Setup Location	9
Warnings and Precautions	10

Rack Precautions 10
Server Precautions 11
Rack Mounting Considerations 11
Ambient Operating Temperature 11
Reduced Airflow 11
Mechanical Loading 11
Circuit Overloading 12
Reliable Ground 12
Install the System into a Rack 12
Separate the Sections of the Rack Rails 12
Outer Rack Rails. 13
Install the Outer Rails to the Rack 14
The Inner Rail Extension 14
Using the Rail Locking Tabs 14
Install the Server in a Rack 15
Check the Node Board Setup. 16
Access the Chassis 16
Extracting a Serverboard From the Chassis 16
Check the CPUs (processors) 17
Check the System Memory 17
Install Expansion PCIe Cards 18
Check all Cable Connections and Airflow 18
Check the Drive Bay Setup 18
Check the System Disk Drives 18
Check the Airflow 18
Supply Power to the System 18
3 System Interface. 19
Overview 19
Control Panel Buttons 20
Serverboard Power Button 20
Unit Identifier Button 20
Control Panel LEDs 20
Overheat/Power Fail Condition 21

	LAN Activity LED	21
	Drive Carrier LEDs	22
4	System Safety	23
	Electrical Safety Precautions	23
	Serverboard Battery.	24
	Optional CD/DVD-ROM Laser	24
	Mainboard Replaceable Soldered-in Fuses.	25
	General Safety Precautions	25
	ESD Precautions.	25
5	System Serverboard Information	27
	Handling the Node Board	27
	ESD Precautions	28
	Unpacking	28
	Connecting the Control Panel	28
	Serverboard I/O Ports	29
	Serverboard Details.	30
	CPUs	30
	Memory	30
	Chipsets	30
	Expansion Slots	30
	Serverboard Health Monitoring	31
	ACPI Features	31
	Individual Serverboard (Node) I/O Ports	31
	Serverboard Layout	32
	Installing Memory	33
	Install DIMMs	33
	Memory Support	34
	Memory DIMM Functionality Guidelines	35
	Configuring DIMM Memory for Best Performance	35
	Hard Disk Drives (C2112-4G10 Chassis)	36
	Drive Configurations	37
	PCIe Expansion Cards	38

	Power Supply Functional Rating 38
6	Basic Troubleshooting and Chassis Service 39
	Basic Troubleshooting Procedures 39
	If the System Does Not Power Up 39
	System Powers Up But Will Not Boot 40
	No Video After System Power Up 40
	Memory Errors 40
	Chassis Service Information 41
	Static-Sensitive Devices 41
	Precautions 41
	Unpacking 42
	Control Panel 42
	System Fans 42
	System Fan Failure 43
	Replacing System Fans 44
	Removing a Fan 44
	Installing a New Fan 44
	Drive Bay Installation/Removal 46
	Accessing the Drive Bays 46
	Disk Drive Installation 46
	Mounting a Disk Drive in a Drive Carrier 46
	Installing/Removing Disk Drives 47
	Hard Drive Backplane 48
	Power Supply 49
	Power Supply Failure 49
	Removing/Replacing the Power Supply. 49
	Removing the Power Supply 49
	Installing a New Power Supply. 50
	PCIe Card Installation Steps 51
7	BIOS 53
	Starting BIOS Setup Utility 53
	How To Change the Configuration Data. 54

Starting the Setup Utility	54
Main Menu	55
BIOS Build Date	55
AMI BIOS Core Version	55
Processor Status	55
System Memory	55
System Time/System Date	56
Advanced Settings Menu	56
Boot Feature Configurations	56
Quick Boot	56
Quiet Boot	56
Add On ROM Display Mode	56
Bootup Num Lock	56
Wait for F1 if Error	56
Hit 'DEL' Message Display	57
Watch Dog Function	57
Power Button Function	57
Restore on AC Power Loss	57
Interrupt 19 Capture	57
Processor & Clock Options Configuration	57
CPU Configuration	57
CPU Information	57
GART Error Reporting	58
Microcode Update	58
Secure Virtual Machine Mode	58
Power Now	58
Power Cap	58
CPU DownCore	58
C1E Support	58
Clock Speed Spectrum	58
Advanced Chipset Control and Configuration (NorthBridge)	59
Memory Configuration	59
Bank Interleaving	59

Node Interleaving 59
Channel Interleaving 59
CS Sparing 59
Bank Swizzle Mode 59
ECC Configuration 59
ECC Mode 59
DRAM ECC Enable 60
DRAM Timing Config 60
HT Speed Support 60
IOMMU. 60
Memory Timing Parameters 60
SouthBridge Configuration 60
OHCI/EHCI HC Device Functions. 60
USB 2.0 Controller Mode 60
Legacy USB Support 61
IDE Configuration 61
On Chip SATA Channel 61
On Chip SATA Type 61
SATA IDE Combined Mode 61
PATA Channel Configuration 61
Primary/Secondary/Third/Fourth IDE Master/Slave 61
LBA/Large Mode 61
Block (Multi-Sector Transfer) 61
PIO Mode 62
DMA Mode 62
S.M.A.R.T. 62
32-Bit Data Transfer 62
IDE Detect Timeout (Sec) 63
PCI/PNP Settings Menu 63
Clear NVRAM 63
Plug & Play O/S 63
PCI Latency Timer 63
PCI IDE Busmaster. 63

Onboard InfiniBand Controller	63
Onboard VGA Controller	63
Onboard LAN Controller	63
ROM Scan Ordering	64
PCIe Slot 1 / SXB2 Riser	64
PCIE X16 Slot 1 / SXB2	64
SXB1	64
Onboard LAN Option ROM Select	64
Load Onboard LAN 1 Option ROM	64
Load Onboard LAN 2 Option ROM	64
Boots Graphic Adapter Priority	64
SuperIO Device Configuration	65
Serial 1 Address	65
Serial 2 Address	65
Serial Port 2 Attribute	65
Remote Access Configuration	65
Remote Access.	65
Serial Port Number.	65
Serial Port Mode	66
Flow Control	66
Redirection After BIOS POST.	66
Terminal Type	66
Sredir Memory Display Delay	66
Hardware Health Configuration	66
CPU Overheat Alarm	66
Fan Speed Control Modes	66
ACPI Configuration	67
ACPI Aware O/S	67
ACPI APIC Support	67
Headless Mode.	67
ACPI Version Features	67
NUMA Support	67
IPMI Configuration.	68

View BMC System Event Log 68
Clear BMC System Event Log 68
Set LAN Configuration 68
IP Address Source 68
IP Address 68
Subnet Mask 69
Gateway Address 69
MAC Address 69
Event Log Configuration 69
View Event Log 69
Mark All Events as Read 69
Clear Event Log 69
SR56x0 (RD890S) PCIE Error Log 70
Security Menu 70
Change Supervisor Password 70
Change User Password 70
Boot Sector Virus Protection 70
Boot Menu 70
Boot Device Priority 70
Removable Drives 71
Hard Disk Drives 71
CD/DVD Drives 71
USB Drives 71
Network Drives 71
Retry Boot Devices 71
Exit Menu 71
Save Changes and Exit 71
Discard Changes and Exit 72
Discard Changes 72
Load Optimal Defaults 72
Load Fail-Safe Defaults 72

A	BIOS Error Beep Codes	73
B	System Operating and Regulatory Overview	75
	Operating Environment	75
	Regulatory Compliance	75

Figures

Figure 1-1	SGI Rackable C2112-4G10 Server	2
Figure 1-2	Serverboard Block Diagram	7
Figure 2-1	Separating and Installing the Rack Rails.	13
Figure 2-2	Installing the Server in a Rack	15
Figure 2-3	Accessing the System Serverboard Drawers.	17
Figure 3-1	System Front Components Example	19
Figure 3-2	System Rear Components Example	19
Figure 3-3	System Serverboard Control Panel Example.	20
Figure 3-4	Overheat/Fan Failure/Power Fail LED	21
Figure 4-1	Installing the Onboard Battery	24
Figure 5-1	Control Panel Header Pins	29
Figure 5-2	Serverboard I/O Port Locations	29
Figure 5-3	Node Board Basic Layout Features (Not to Scale)	32
Figure 5-4	DIMM Installation Example	34
Figure 5-5	C2112-4G10 3.5-inch Hard Disk Drives.	36
Figure 5-6	Serverboard Tray Configuration Description	37
Figure 6-1	System Cooling Fan Assembly Locations	43
Figure 6-2	Fan Replacement Example	45
Figure 6-3	Example of Mounting a Drive in a Carrier	47
Figure 6-4	Removing a Disk Drive Carrier	48
Figure 6-5	Power Supply Removal Example	50
Figure 6-6	PCIe Retention Screw and Tab	51
Figure 6-7	Extracting a Serverboard.	52

Tables

Table 6-1	Fan Failure LED Identification	44
Table A-1	BIOS Error Codes	73

Introduction

Important: SGI Rackable server systems may sometimes require driver versions that are not included in the original operating system release. When required, SGI provides these drivers on an SGI Driver CD, which may ship with the system, or on the system disk (pre-installed in the factory). For more information on this topic check with your sales or service representative.

The Rackable C2112-4G10 server is a 2U rackmount system (see [Figure 1-1](#)). It has two main subsystems: the 2U server chassis and four one- or two-processor integrated serverboards.

In addition to the four serverboards and the chassis, various hardware components have been included with the system, as listed:

- Four 8-cm chassis fans
- Up to eight “G34” passive CPU heatsinks
- Four air shrouds (one for each serverboard)
- Four riser cards (one for each serverboard)
- 12 hard-disk drive trays (three drive trays for each serverboard)
- SATA accessories
- Two power supplies
- One rackmount kit
- One CD containing drivers and utilities

Note: Use of an optional external (USB) CD/DVD drive may be required if you choose to load new or updated software directly to a stand-alone C2112-4G10 server.

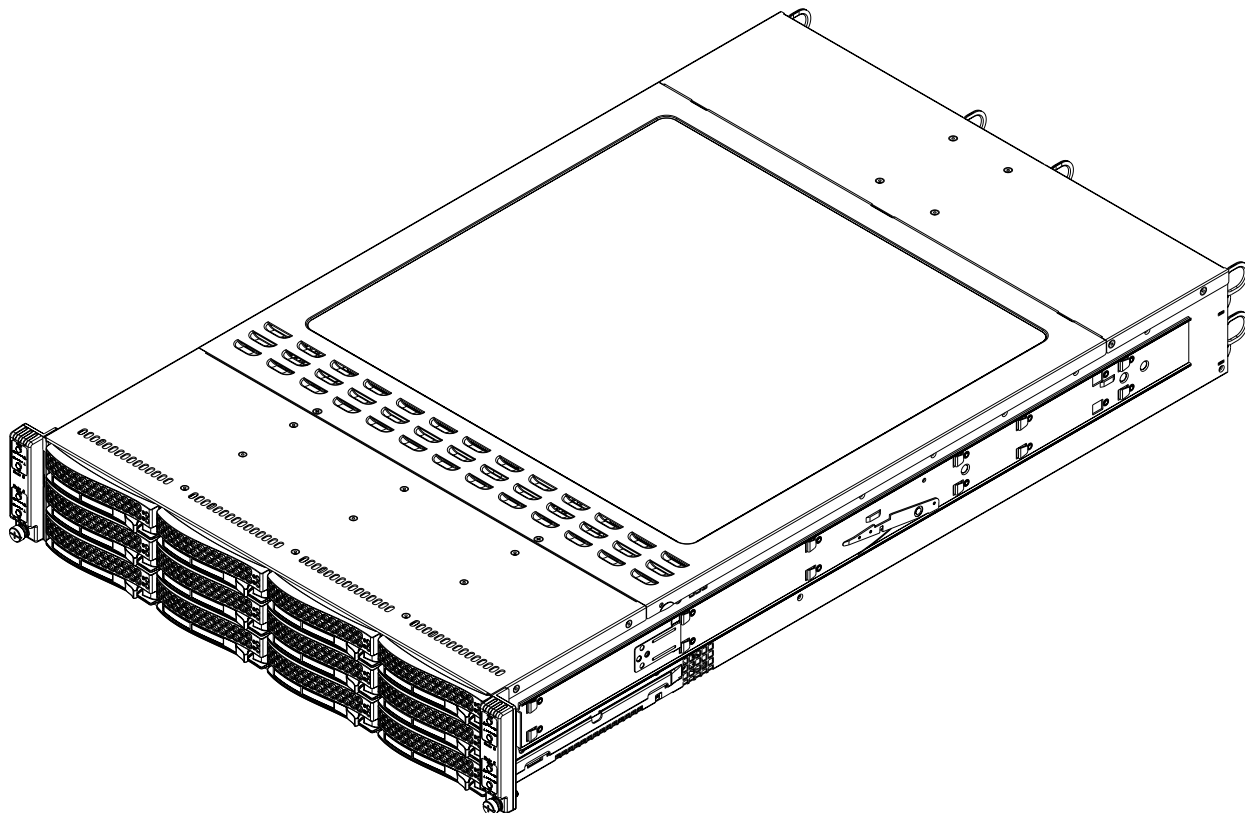


Figure 1-1 SGI Rackable C2112-4G10 Server

Server Board Features

At the heart of the system is a set of four processor serverboards (motherboards) based on the latest AMD Opteron chipset and designed to provide maximum performance. Below are the main features of the serverboards. Note that two processors must be installed on each serverboard to support all functions listed.

Processors

Each of the four serverboards in the C2112-4G10 supports two 8-core, 12-core or 16-core AMD 6100/6200 series Opteron processors. Each processor sits in a 1944-pin “G34” socket and is interconnected via HyperTransport (HT) 3.0 link support, see the next subsection for more information.

HyperTransport Interconnect

The HT link is a packet-based link implemented on two unidirectional sets of signals. The link is nominally point-to-point, and connects exactly two devices. Devices (including the on-board SR5690/SP5100 chips) can have multiple HT links to allow the construction of larger HT fabrics.

Each HT link consists of a point to point x16 link (16 bits) that supports 6.4 GT/s per link in each direction. The HT link is designed to deliver a scalable, high-performance interconnect between CPUs and CPU to I/O devices.

Memory

Each serverboard in the system has 8 DIMM slots (four per processor socket) that support 1866/1600/1333/1066/800 MHz DDR3 registered ECC SDRAM (see [“Installing Memory” in Chapter 5](#)).

Controllers for the system memory are integrated directly into the AMD Opteron 6100/6200 series processors.

Serial ATA

A Serial ATA controller (AMD SP5100) is integrated into each of the system serverboards to provide a six-port 6 Gb/s SATA subsystem; note that only three drives are supported per serverboard. One to three Jbod drives connect to each serverboard via the drive backplane

installed near the front of the server. The “system disk” is drive 0 in each array and any additional drives are “data” disks. For best system throughput all disks should be the same speed and capacity.

PCI Expansion Slots

Each dual-processor serverboard has one low-profile PCI Express 2.0 x16 (Gen 2) slot. See also the section “PCIe Expansion Cards” in Chapter 5 for more information on this topic.

Onboard Controllers/Ports

The color-coded I/O ports include one COM port (an additional COM header is located on the serverboard), a VGA (monitor) port, two USB 2.0 ports (two additional USB headers and one Type A USB port are included on the serverboard). An IPMI dedicated LAN port and two gigabit Ethernet ports are also included on each serverboard.

Onboard Graphics Controller

Each serverboard features an integrated Matrox G200e video controller providing a 16MB DDR2 graphics interface through the system VGA connector. The Matrox video controller features low power consumption, high reliability and superior longevity.

Optional InfiniBand Connector

Specific optional versions of the C2112-4G10 serverboard include an optional on-board QDR (quad data rate) speed InfiniBand QSFP connector. InfiniBand is a scalable serial communications link intended for connecting processors with high-speed peripherals or switches.

On-board “Health” Features

Other onboard features that promote system health include:

- Onboard voltage monitors
- Fan status monitor with firmware/software and speed control via BIOS settings
- Watch Dog
- Environmental temperature monitoring via BIOS

- Power-up mode control for recovery from AC power loss
- System resource alert (via included utility program)
- Auto-switching voltage regulator for the CPU core
- CPU thermal trip support
- I²C temperature sensing logic

Server Chassis Features

The following subsections provide a general outline of the main features of the SGI Rackable C2112-4G10 server chassis.

System Power

The Rackable C2112-4G10 2U server chassis features uses two power supplies accessible at the rear of the system. Specific configurations of the server offer a power redundancy feature which allows you to replace a failed power supply without shutting down the system. No tools are required to remove and replace a power supply. Note that each power supply is rated at 80 Plus Platinum certification with a fault LED.

Serial ATA Drive Subsystems

The server chassis optionally supports up to twelve 6 Gb/s Serial ATA drives (three for each serverboard). The SATA drives are all non-RAID (Jbod) units and are connected to a backplane that provides power and control. Note that these drives do not support the hot-swap capability of RAID drives.

Front Control Panels

There are two separate front control panels on either side of the front of the chassis (each supports one serverboard). Each C2112-4G10 serverboard control panel provides system monitoring and control LEDs that indicate system power, HDD activity, network activity, system overheat, fan failure and power supply failure. A main power button and a system UID button are also included.

Serverboard

The C2112-4G10 server chassis is an ATX form factor chassis designed to be used in a 2U rackmount configuration.

Each serverboard has a proprietary format of 6.78-inches x 16.64-inches (172 x 423 mm).

Each serverboard provides one low-profile PCIe expansion slot, one COM port, a VGA port, two USB 2.0 ports and two Gigabit LAN ports. A dedicated RJ-45 IPMI LAN port is also supported. [Figure 1-2 on page 7](#) shows a general block diagram of an individual C2112-4G10 processor board and I/O chipset.

Cooling System

The 2U server chassis has an innovative cooling design that includes four 8-cm system cooling fans located in the middle section of the chassis. An air shroud system channels the airflow from the fans to efficiently cool each of the serverboards.

Each power supply module also includes a cooling fan.

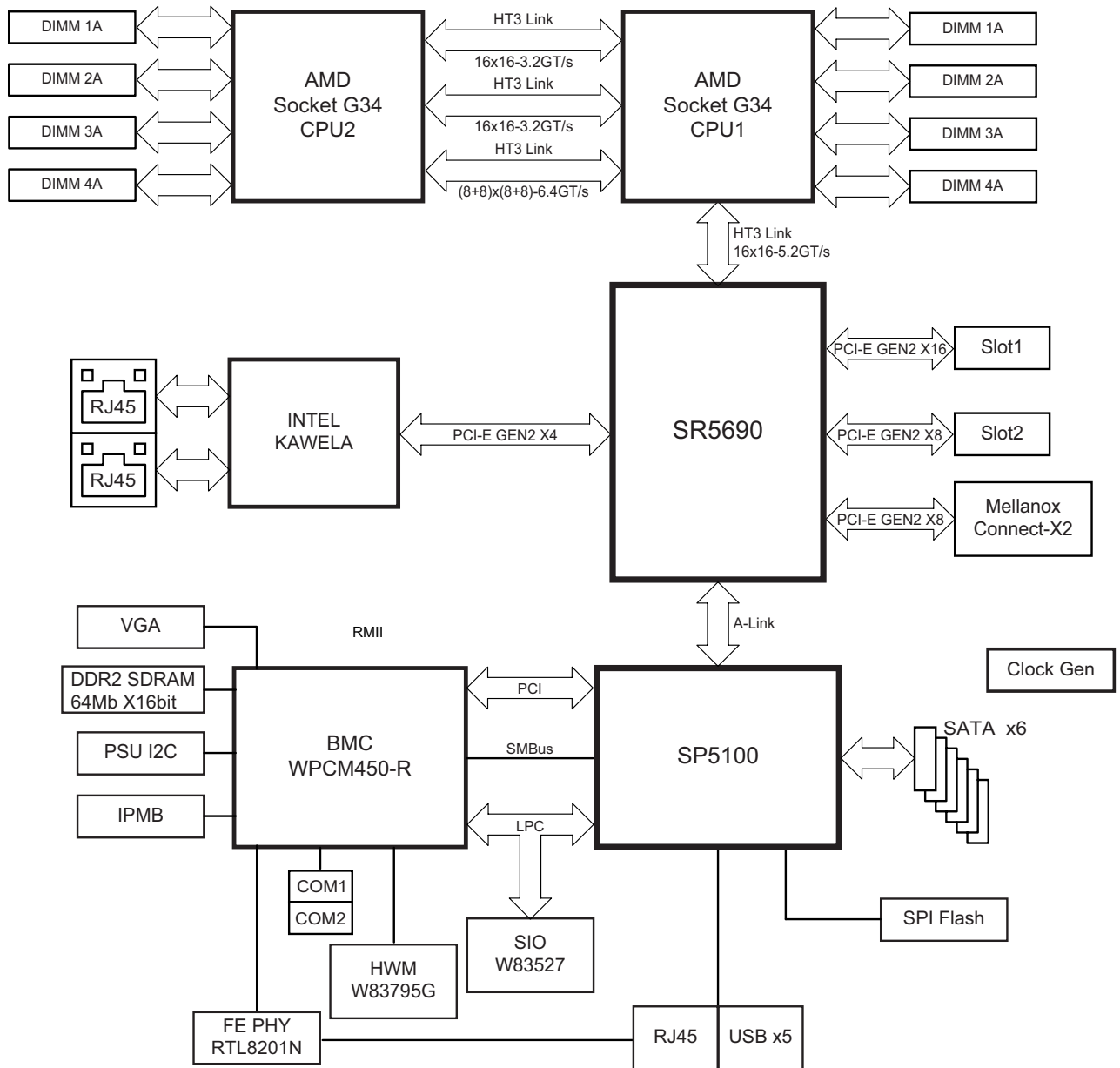


Figure 1-2 Serverboard Block Diagram

Server Installation

This chapter provides a quick setup checklist to get the C2112-4G10 operational.

Unpack the System

Inspect the shipping container that the C2112-4G10 was shipped in and note if it was damaged in any way. If the server shows damage, file a damage claim with the carrier who delivered it.

Decide on a suitable location for the rack that supports the weight, power requirements, and environmental requirements of the C2112-4G10 server. It should be situated in a clean, dust-free environment that is well ventilated. Avoid areas where heat, electrical noise, and electromagnetic fields are generated. Place the server rack near a grounded power outlet. Refer to [“Warnings and Precautions”](#) on page 10.

Prepare for Setup

The shipping container should include two sets of rail assemblies, two rail mounting brackets and the mounting screws that you will use to install the system into a rack.

Read this section in its entirety before you begin the installation procedure.

Choose a Setup Location

Leave enough clearance in front of the rack to enable you to open the front door completely (~25 inches) and approximately 30 inches of clearance in the back of the rack to allow for sufficient airflow and ease in servicing.

Warnings and Precautions

Rack Precautions



Warning: The SGI Rackable C2112-4G10 server weighs up to 85 lbs (38.6 kg). Exercise proper lifting techniques when you move the server. Always get the assistance of another qualified person when you install the sever. Failure to do so may result in serious personal injury or damage to the equipment.



Warning: Extend the leveling jacks on the bottom of the rack to the floor with the full weight of the rack resting on them. Failure to do so can result in serious injury or death.



Warning: Attach stabilizers to the rack in single rack installations. Failure to do so can result in serious injury or death.



Warning: Couple racks together in multiple rack installations. Failure to do so can result in serious injury or death.



Warning: Be sure the rack is stable before extending a component from the rack. Failure to do so can result in serious injury or death.



Warning: Extend only one component at a time. Extending two or more components simultaneously may cause the rack to tip over and result in serious injury or death.

Server Precautions

- Review the electrical and general safety precautions.
- Determine the placement of each component in the rack before you install the rails.
- Install the heaviest server components in the bottom of the rack first, and then work up.
- Use a regulating uninterruptible power supply (UPS) to protect the server from power surges and voltage spikes and to keep your system operating in case of a power failure.
- Allow the hard disk drives and power supply modules to cool before touching them.
- Always keep the rack's front door and all panels and components on the servers closed when not servicing to maintain proper cooling.

Rack Mounting Considerations

Ambient Operating Temperature

If installed in a closed or multi-unit rack assembly, the ambient operating temperature of the rack environment may be greater than the ambient temperature of the room. Therefore, consideration should be given to installing the equipment in an environment compatible with the manufacturer's maximum rated ambient temperature (35° C or 95° F).

Reduced Airflow

Equipment should be mounted into a rack so that the amount of airflow required for safe operation is not compromised.

Mechanical Loading

Equipment should be mounted into a rack so that a hazardous condition does not arise due to uneven mechanical loading.

Circuit Overloading

Consideration should be given to the connection of the equipment to the power supply circuitry and the effect that any possible overloading of circuits might have on overcurrent protection and power supply wiring. Appropriate consideration of equipment nameplate ratings should be used when addressing this concern.

Reliable Ground

A reliable ground must be maintained at all times. To ensure this, the rack itself should be grounded. Particular attention should be given to power supply connections other than the direct connections to the branch circuit (for example, the use of power strips, and so on).

Install the System into a Rack

This section provides information on installing the C2112-4G10 into a rack. If the system has already been mounted into a rack, refer to “[Check the Node Board Setup](#)” on page 16. There are a variety of rack units on the market, which may mean the assembly procedure will differ slightly. You should also refer to the installation instructions that came with the rack unit you are using.

Note: This rail will fit a rack between 26 inches and 33.5 inches deep.

Separate the Sections of the Rack Rails

The chassis package includes two rail assemblies in the rack mounting kit. Each assembly consists of two sections: an inner fixed chassis rail that secures directly to the server chassis and an outer fixed rack rail that secures directly to the rack itself.

To separate the inner and outer rails, perform the following steps:

1. Locate the rail assembly in the chassis packaging as shown in [Figure 2-1](#).
2. Extend the rail assembly by pulling it outward.
3. Press the quick-release tab
4. Separate the inner rail from the outer rail assembly.

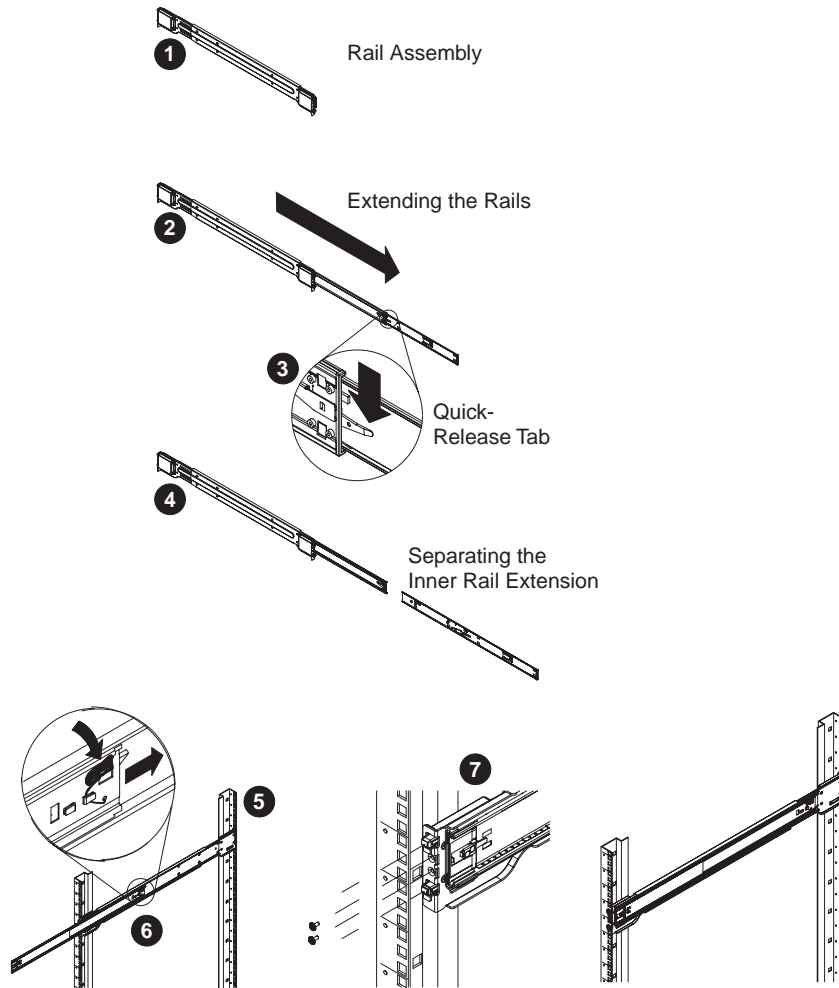


Figure 2-1 Separating and Installing the Rack Rails

Outer Rack Rails

Outer rails attach to the rack and hold the chassis in place. The outer rails for the chassis extend between 26.5 inches and 36.4 inches.

Install the Outer Rails to the Rack

1. Measure the depth of the rack (distance from the front rail to the rear rail) to ensure it complies with the limitations listed in the previous subsections.
2. Attach a short bracket to the front side of the right outer rail and a long bracket to the rear side of the right outer rail (see [Figure 2-1 on page 13](#)).
3. Adjust both the short and long brackets to the proper distance so that the rail can fit snugly into the rack.
4. Secure the short bracket to the front side of the outer rail with two M4 screws and the long bracket to the rear side of the outer rail with three M4 screws.
5. Repeat the previous steps to properly install the left outer rail.

The Inner Rail Extension

The chassis includes a set of factory-installed inner rails in two sections: inner rails and inner rail extensions. The inner rails are pre-attached to the chassis, and do not interfere with normal use of the chassis if you decide not to use a server rack. The inner rail extension is attached to the inner rail to mount the chassis in the rack.

Using the Rail Locking Tabs

Both chassis rails have a locking tab, which serves two functions:

- The tabs can lock the server into place when installed and pushed fully into the rack, (its normal operating position).
- The tabs also lock the server in place when fully extended from the rack. This prevents the server from coming completely out of the rack when pulled out for servicing.

Depress both tabs at the same time to fully remove the server from its rail mounting and extract it from the rack.

Install the Server in a Rack



Warning: The SGI Rackable C2112-4G10 server weighs up to 85 lbs (38.6 kg) Always use proper lifting techniques when you move the server. Always get the assistance of another qualified person when you install the sever in a rack. Failure to do so may result in serious personal injury or damage to the equipment.

You should now have rails attached to both the server chassis and the rack unit. The next step is to install the server into the rack.

1. Extend the outer rails as shown in [Figure 2-2](#).
2. Align the inner rails of the chassis with the outer rails on the rack.
3. Slide the inner rails into the outer rails, keeping the pressure even on both sides. When the chassis has been pushed completely into the rack, it should click into the locked position.
4. Optional screws are recommended to secure and hold the front of the chassis to the rack.

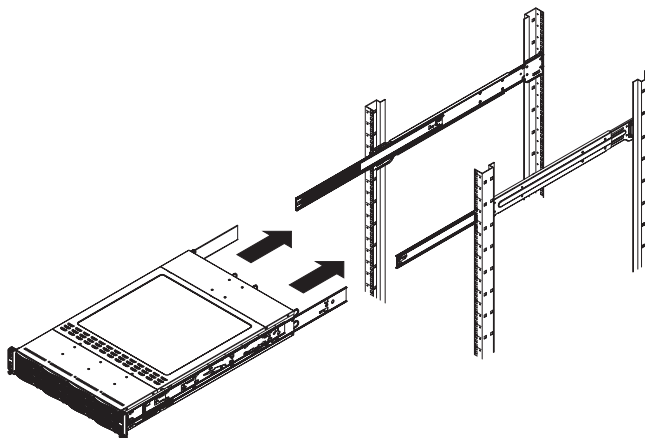


Figure 2-2 Installing the Server in a Rack

Check the Node Board Setup

Use the information in the following sections to check that each node board (serverboard) is properly installed and all the connections have been made.

Each of the four serverboards act as a separate node in the system. As independent nodes, each may be powered off and on without affecting the others. In addition, each serverboard is a hot-swappable unit that may be removed from the rear of the chassis. The nodes are connected to the server backplane by means of an adapter card.

Important: A guide pin is located between the upper and lower nodes on the inner chassis wall. This guide pin also acts as a “stop” when a node is fully installed. If too much force is used when inserting a node this pin may break off. Take care to slowly slide a node in until you hear the “click” of the locking tab seating itself.

Access the Chassis

1. Disconnect all power and data cables for the server you will remove from the rack.
2. Grasp the two handles on either side and pull the unit straight out of the rack until it locks (you will hear a “click”).

Note: To remove the system from the rack completely, depress the locking tabs on the chassis rails (push the right-side tab down and the left-side tab up) to continue to pull the system out past the locked position.

3. Use two people to move the chassis to a stable static-free work surface.
4. Extract and check the condition of the serverboards using the information in the following subsections.

Extracting a Serverboard From the Chassis

Each of the four serverboards in the chassis is contained in a “drawer” that can be pulled out from the rear of the enclosure, see [Figure 2-3 on page 17](#).

Use standard static precautions when handling the system serverboards.

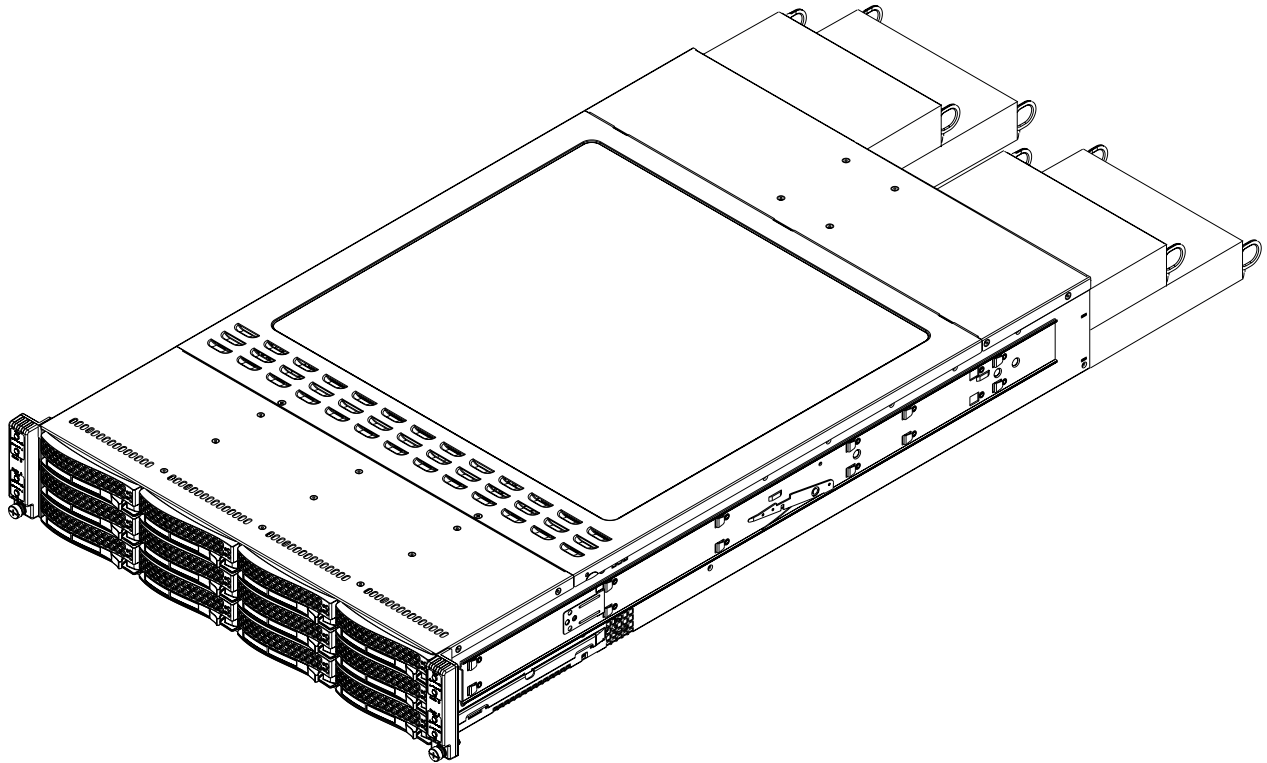


Figure 2-3 Accessing the System Serverboard Drawers

Check the CPUs (processors)

Standard factory systems ship with one or two processors installed on each serverboard. Each processor needs its own heatsink.

Check the System Memory

Your server system is shipped with system memory installed. Make sure all DIMMs are fully seated in their slots. For details on adding system memory, refer to [Chapter 3](#).

Install Expansion PCIe Cards

You can install one low-profile expansion PCIe card in each serverboard in the system. Refer to [Chapter 6, “Basic Troubleshooting and Chassis Service,”](#) for information on installing PCIe expansion cards.

Check all Cable Connections and Airflow

Make sure all power and data cables are properly connected and not blocking the chassis airflow. Refer to [Chapter 3](#) for details on cable connections.

Check the Drive Bay Setup

Next, you should check to make sure the system 3.5-inch hard disk drives and disk drive backplane have been properly installed and all connections have been made.

Check the System Disk Drives

All drives are accessible from the front of the server. The 3.5-inch hard drives can be installed and removed from the front of the chassis without removing the top chassis cover. Depending upon your system configuration, your system may have four or more drives installed. For detailed information about how to install disk drives, see [“Drive Bay Installation/Removal”](#) in [Chapter 6](#).

Check the Airflow

Airflow is provided by four hot-swappable 8-cm chassis cooling fans. The system component layout was carefully designed to direct sufficient cooling airflow to the components that generate the most heat. Make sure that all power and data cables have been routed in such a way that they do not block the airflow generated by the fans.

Supply Power to the System

If necessary, install the system in a rack (refer to [“Install the System into a Rack”](#) on [page 12](#)), and connect the power cords from the power supply modules into a power strip or power distribution unit (PDU). SGI also recommends that you use an optionally available uninterruptible power supply (UPS) source.

System Interface

Overview

There are LEDs on the system front-control panels as well as others on the drive carriers, power supplies and serverboard (node) connectors to keep you constantly informed of the overall status of the system. See Figure 3-1 and Figure 3-2 for locations of the front and rear components.

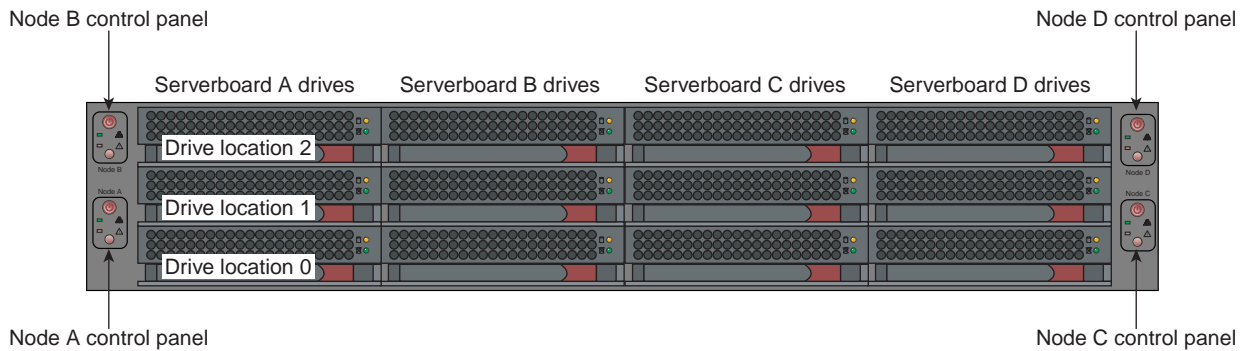


Figure 3-1 System Front Components Example

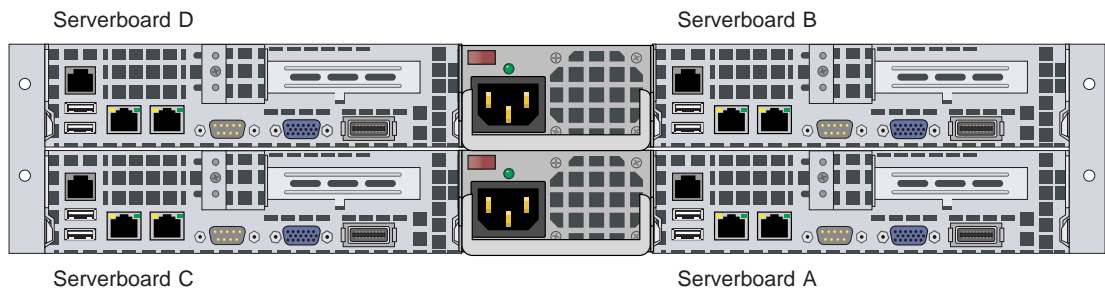


Figure 3-2 System Rear Components Example

Control Panel Buttons

In addition to monitoring the activity and health of specific components using LEDs, each serverboard in the system has two buttons located on the front of the chassis: a serverboard power on/off button and a Unit Identifier (UID) button. Figure 3-3 shows an example.

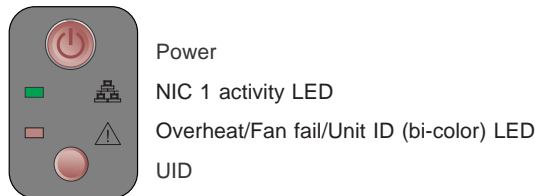


Figure 3-3 System Serverboard Control Panel Example

Serverboard Power Button

The button at the top of the control panel is the power button, which is used to apply or turn off the main system power going to a specific serverboard (node). Note that there are a total of four on the front of each server and each controls only one serverboard. Turning off a system serverboard's power with this button removes the main power but keeps standby power supplied to the serverboard.

Unit Identifier Button

A Unit Identifier (UID) button is located on the lower part of each control panel. There is another (mirror) UID located on the rear of the serverboard. When you push either UID button, both Rear UID and Front Panel UID LED indicators will illuminate. Push either button again to turn off both indicators. These UID indicators provide easy identification of a system serverboard that may need service or replacement.

Control Panel LEDs

The serverboard control panels located on the front of the chassis have status LEDs. These LEDs provide you with critical information related to different parts of the system.

The following subsections explain what each LED indicates when illuminated and any corrective action you may need to take.

Overheat/Power Fail Condition

The overheat LED is illuminated when an “overtemp” condition occurs, see Figure 3-4. A solid red LED indicates an overheat condition in the system. A flashing red LED that flashes in one second intervals indicates a fan failure. Check the routing of the cables and make sure all fans are present and operating normally, see also “System Fans” in Chapter 6. You should also check to make sure that the chassis covers and air shrouds are installed correctly. Finally, verify that the heatsinks are installed properly.

This LED will remain flashing or on as long as the indicated condition exists.



Figure 3-4 Overheat/Fan Failure/Power Fail LED

A flashing red LED which flashes in four second intervals indicates a power failure.

Note: Serverboard A (node A) is the only node that reports a power supply failure. The failing power supply can be identified by the amber fault LED display near the external power connector.

The power fail LED indicates a power supply module has failed or is not functioning properly. In specific configurations the second power supply module will automatically take the load and keep the system running - but the failed module will need to be replaced as soon as possible. Refer to Chapter 6 for details on replacing the power supply. This LED should be off when the system is operating normally.

LAN Activity LED

When flashing, the LAN activity LED (see Figure 3-3 on page 20) on the system serverboard control panel indicates network activity on the LAN1 and/or the LAN2 port. This LED will light up any time there is network traffic on the LAN ports of the serverboard the control panel is connected to.

Drive Carrier LEDs

Each 3.5-inch hard disk drive carrier has two LEDs, as follows:

- **Blue:** When illuminated, the blue LED on the drive carrier indicates drive activity. A connection to the drive backplane enables this LED to blink on and off when that particular drive is being accessed. Please refer to Chapter 6 for instructions on replacing failed drives.
- **Red:** When a red LED lights up it indicates a drive failure. If one of the drives fails, you may also be notified by your system management software.

Failure of the system disk supporting a serverboard will mean the serverboard cannot function.

Please refer to Chapter 6 for instructions on replacing failed drives. Replacement of a failed drive should be completed as soon as practicable.

System Safety

This chapter describes basic safety precautions for the server.

Important: Care must be taken to assure that the chassis cover is in place when the server is operating to assure proper cooling. Out of warranty damage to the system can occur if this practice is not strictly followed.

Electrical Safety Precautions

Basic electrical safety precautions should be followed to protect yourself from harm and the Rackable C2112-4G10 system from damage, as follows:

- Be aware of the locations of the power on/off switch on the chassis as well as the room's emergency power-off switch, disconnection switch or electrical outlet. If an electrical accident occurs, you can then quickly remove power from the system.
- Do not work alone when working with high voltage components.
- Power should always be disconnected from the system when removing or installing main system components, such as the memory modules and 3.5-inch hard disk drives. When disconnecting power, you should first power down the operating system and then unplug the power cords. The unit can have more than one power supply cord. Disconnect two power supply cords before servicing to avoid electrical shock.
- When working around exposed electrical circuits, another person who is familiar with the power-off controls should be nearby to switch off the power if necessary.
- Use only one hand when working with powered-on electrical equipment. This is to avoid making a complete circuit, which will cause electrical shock. Use extreme caution when using metal tools, which can easily damage any electrical components or circuit boards they come into contact with.
- Do not use mats designed to decrease static electrical discharge as protection from electrical shock. Instead, use rubber mats that have been specifically designed as electrical insulators.

- The power supply power cords must include a grounding plug and must be plugged into grounded electrical outlets or power distribution unit (PDUs).

Serverboard Battery



Caution: There is a danger of explosion if the onboard battery is installed upside down, which will reverse its polarities (see [Figure 4-1](#)). This battery must be replaced only with the same or an equivalent type recommended by the manufacturer. Check with your service representative if you have any questions. Dispose of used batteries according to the manufacturer's instructions.

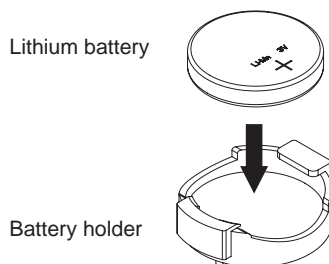


Figure 4-1 Installing the Onboard Battery

Optional CD/DVD-ROM Laser



Caution: If your server uses an optional stand-alone USB CD/DVD-ROM drive the following information is important. To prevent direct exposure to the laser beam and hazardous radiation exposure, do not open the drive enclosure or use the unit in any unconventional way.

Mainboard Replaceable Soldered-in Fuses

Important: If your system comes with self-resetting PTC (Positive Temperature Coefficient) fuses on the serverboard, they must be replaced by trained service technicians only. The new fuse must be the same or equivalent as the one replaced. Contact your technical support organization for details and support.

General Safety Precautions

Follow these rules to ensure general safety:

- Keep the area around the Rackable C2112-4G10 system clean and free of clutter.
- The Rackable C2112-4G10 system weighs approximately 85 lbs (38.6 kg.) when fully loaded. When lifting the system, two people at either end should lift slowly with their feet spread out to distribute the weight. Always keep your back straight and lift with your legs.
- Place the chassis top cover and any system components that have been removed away from the system or on a table so that they won't accidentally be stepped on.
- While working on the system, do not wear loose clothing such as neckties and unbuttoned shirt sleeves, which can come into contact with electrical circuits or be pulled into a cooling fan.
- Remove any jewelry or metal objects from your body, which are excellent metal conductors that can create short circuits and harm you if they come into contact with printed circuit boards or areas where power is present.
- After accessing the inside of the system, close the system back up and secure it to the rack unit with the retention screws after ensuring that all connections have been made.

ESD Precautions



Caution: Electrostatic discharge (ESD) is generated by two objects with different electrical charges coming into contact with each other. An electrical discharge is created to neutralize this difference, which can damage electronic components and printed circuit boards.

The following measures are generally sufficient to neutralize this difference before contact is made to protect your equipment from ESD:

- Use a grounded wrist strap designed to prevent static discharge.
- Keep all components and printed circuit boards (PCBs) in their antistatic bags until ready for use.
- Touch a grounded metal object before removing the board from the antistatic bag.
- Do not let components or PCBs come into contact with your clothing, which may retain a charge even if you are wearing a wrist strap.
- Handle a board by its edges only; do not touch its components, peripheral chips, memory modules or contacts.
- When handling chips or modules, avoid touching their pins.
- Put the serverboard and peripherals back into their antistatic bags when not in use.
- For grounding purposes, make sure your computer chassis provides excellent conductivity between the power supply, the case, the mounting fasteners and the serverboard.

System Serverboard Information

This chapter includes best practice procedures to work with a node board (serverboard) in the C2112-4G10 chassis, install memory DIMMs, PCIe expansion cards and 3.5-inch hard disk drives.

A layout and quick reference chart is included in this chapter for your reference. See “[Installing Memory](#)” on page 33.

Note: Some software products are protected with software license keys derived from the Media Access Control (MAC) Ethernet address. If your system requires the replacement of a node board (serverboard), the MAC Ethernet address changes. If you are using such a product, you must request a new license key after replacing the node board. Contact your local customer support office:

<http://www.sgi.com/support/supportcenters.html>



Caution: When applicable, be sure to re-install the chassis cover after you have completed accessing the components inside the server to ensure proper airflow and cooling for the system.

Handling the Node Board



Caution: Electrostatic discharge (ESD) can damage electrostatic-sensitive devices inside the C2112-4G10 server. Use the ESD precautions described below when you handle printed circuit boards or other components in the system. The following measures are generally sufficient to protect your equipment from electric static discharge.

ESD Precautions

- Use a grounded wrist strap designed to prevent electrostatic discharge.
- Touch a grounded metal object before removing any board from its antistatic bag.
- Handle each printed circuit board (PCB) by the edges; do not touch the components, peripheral chips, memory modules, or gold contacts on the PCB.
- When handling chips or modules, avoid touching the pins.
- Place the node board, expansion PCIe cards, or other boards and components into antistatic bags when not in use.
- Make sure your computer chassis provides a conductive path between the power supply, the case, the mounting fasteners, and the node board to chassis ground.

Unpacking



Caution: The node board is shipped in antistatic packaging to avoid electrostatic discharge damage. Be sure to use ESD precautions when you unpack replacement components for the C2112-4G10 server. Failure to do so can result in damage to the equipment.

Connecting the Control Panel

JF1 contains header pins for various front control panel connectors. See [Figure 5-1](#) for the pin locations of the various front control panel buttons and LED indicators.

All JF1 wires have been bundled into a single cable to simplify this connection. Make sure the red wire plugs into pin 1 as marked on the board. The other end connects to the Control Panel PCB board, located just behind the system status LEDs on the chassis.

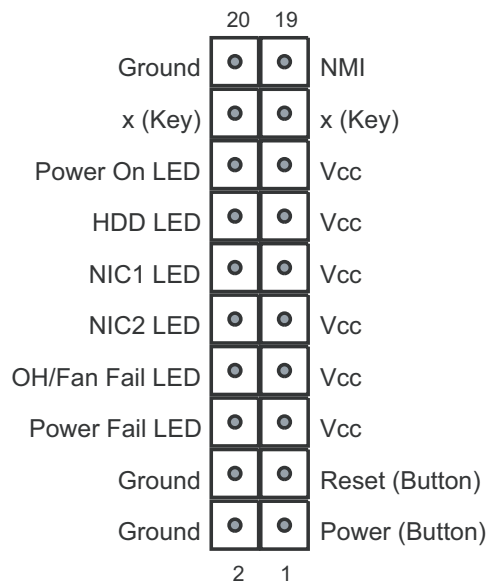


Figure 5-1 Control Panel Header Pins

Serverboard I/O Ports

The I/O ports are color coded in conformance with the PC 99 specification. See [Figure 5-2](#) for an example of the colors and locations of the various I/O ports (viewed from the rear of the server).

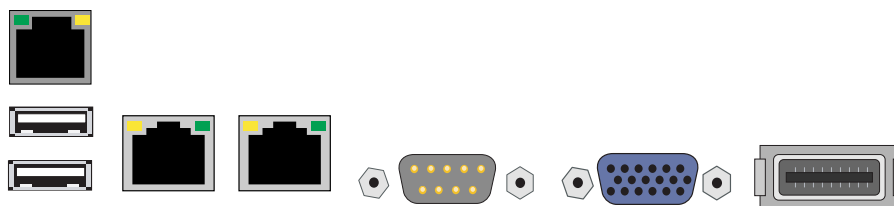


Figure 5-2 Serverboard I/O Port Locations

Serverboard Details

The 2U C2112-4G10 system chassis has four node boards (serverboards). Each C2112-4G10 serverboard is configured with two processors. When properly configured, the following rules apply:

- Both processor sockets must have identical revisions, core voltage, and bus/core speed.
- The stepping between the processors on the board must be identical.
- See [Figure 5-3 on page 32](#) for CPU locations on the serverboard - note that the drawing is not to scale.

CPUs

- AMD Opteron 6100/6200 series (Socket G34 type) processors

Note: Two processors must be installed in each serverboard for full functionality to be supported.

Memory

- Up to eight DDR3 DIMMs are supported on each serverboard (four per processor)

Note: Refer to the memory installation information in this guide before installing new memory. Check with your authorized sales/service representative for approved DIMM types.

Chipsets

- One AMD SR5690/SP5100 Southbridge chipset

Expansion Slots

- One PCI-Express x16 (Gen. 2) low-profile slot per serverboard (four total)
- 16 Mb AMIBIOS® SPI Flash ROM
- APM 1.2, DMI 2.3, PCI 2.2, ACPI 1.0 (ACPI 2.0 is BIOS supported), SMBIOS 2.3, Real Time Clock Wakeup, Plug and Play (PnP), BIOS resume hot keys

Serverboard Health Monitoring

- Onboard voltage monitors
- Fan status monitor with firmware/software on/off and speed control
- Watch Dog
- Environmental temperature monitoring via BIOS
- Power-up mode control for recovery from AC power loss
- System resource alert (via included utility program)
- Auto-switching voltage regulator for each CPU core
- CPU thermal trip support
- I2C temperature sensing logic
- Chassis intrusion detection

ACPI Features

- Microsoft OnNow available
- Slow blinking LED for suspend state indicator
- BIOS support for USB keyboard
- Wake-On-LAN (WOL)
- Internal/external modem ring-on
- Hardware BIOS Virus protection

Individual Serverboard (Node) I/O Ports

- Three SATA ports provided by an on-chip SATA controller (Jbod supported)
- One Fast UART 16550 compatible serial port
- Mellonox x4 QDR InfiniBand (40 Gb/s/lane) Connect-X supporting a single QSFP
- Two (Universal Serial Bus 2.0) ports
- Two (2) LAN ports supported for 10/100/1000Base-T
- One (1) dedicated IPMI LAN port
- One (1) VGA port supported by an onboard Matrox® G200 graphics controller (with 16 MB DDR2 memory)

Serverboard Layout

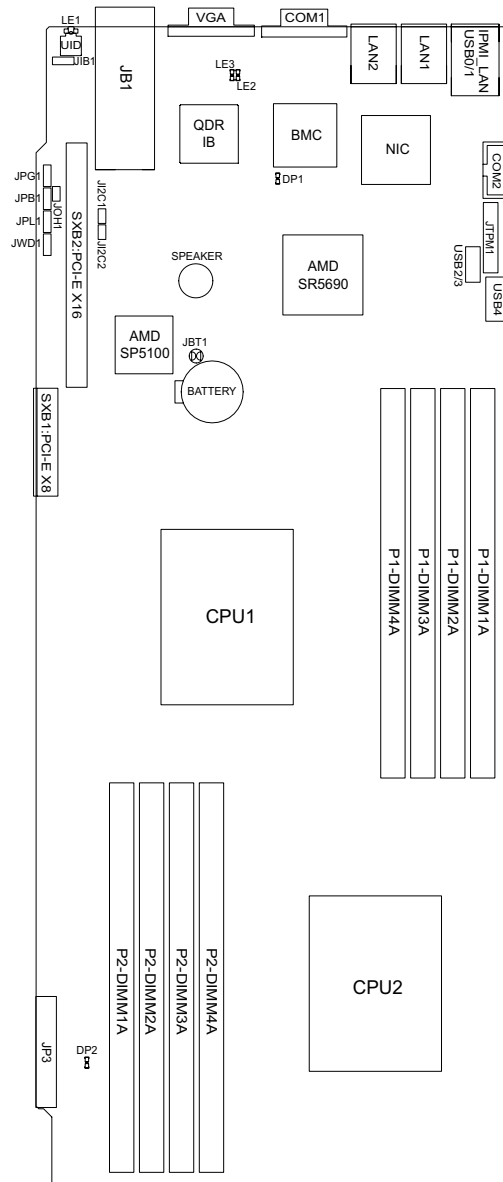


Figure 5-3 Node Board Basic Layout Features (Not to Scale)

Installing Memory



Caution: Exercise extreme care when installing or removing DIMM modules to prevent any possible damage.

The C2112-4G10 serverboard supports up to eight DIMM slots. Three-way interleaved memory is supported. For optimal memory performance always use memory modules of the same type and speed. See also “[Memory DIMM Functionality Guidelines](#)” on page 35 for additional memory installation guidelines.

Install DIMMs

Perform the following steps to install memory modules, as follows:

1. Insert the DIMM module vertically and press down into its slot until it snaps into place. Pay attention to the alignment notch at the bottom of the module to avoid installing incorrectly (see [Figure 5-4 on page 34](#)). Insert the desired number of DIMMs into the memory slots, beginning with DIMM #1A and DIMM #2A, then DIMM #3A and DIMM #4A.
2. Always spread DIMMs across all applicable banks for each CPU. Gently press down on the DIMM module until it snaps into place in the slot. Repeat for all modules.
3. When working with a dual-CPU serverboard and eight DIMMs, install in slots CPU1/DIMM1A, CPU1/DIMM2A, CPU1/DIMM3A and CPU1/DIMM4A, etc. Always install in groups of four to achieve best performance.
4. Gently press down on the memory module until it snaps into place.
5. Repeat the installation steps to populate each of the applicable CPU DIMM slots.

For the most efficient operation, always install an even number and equal amount of DIMMs to support each CPU.

Note: 2 GB, 4 GB, 8 GB and 16 GB memory modules are supported. It is highly recommended that you remove the power cord from the system before installing or changing memory modules. Check with your sales or service representative for memory that has been tested and approved for the serverboard.

Memory Support

Each C2112-4G10 serverboard memory bus is a controller array intended for use with one or two processor configurations.

Note: Memory DIMM slots should be populated equally in adjacent memory banks on each channel for optimal performance.

The serverboard supports 1866/1600/1333/1066/800 MHz registered SDRAM. Only interleaved memory is supported, so you must equally populate DIMM slots for optimal functionality (see the subsection “[Memory DIMM Functionality Guidelines](#)” on page 35). Note that 1866 MHz DIMMs can only function at full speed in a configuration that allocates a single DIMM per channel.

Populating four slots at a time with memory modules of the same size and type (single or dual-rank) will result in interleaved (128-bit) memory, which is faster than non-interleaved (64-bit) memory.

To remove a DIMM module, use your thumbs to gently push the release tabs near both ends of the module (see [Figure 5-4](#)). This should release it from the slot.

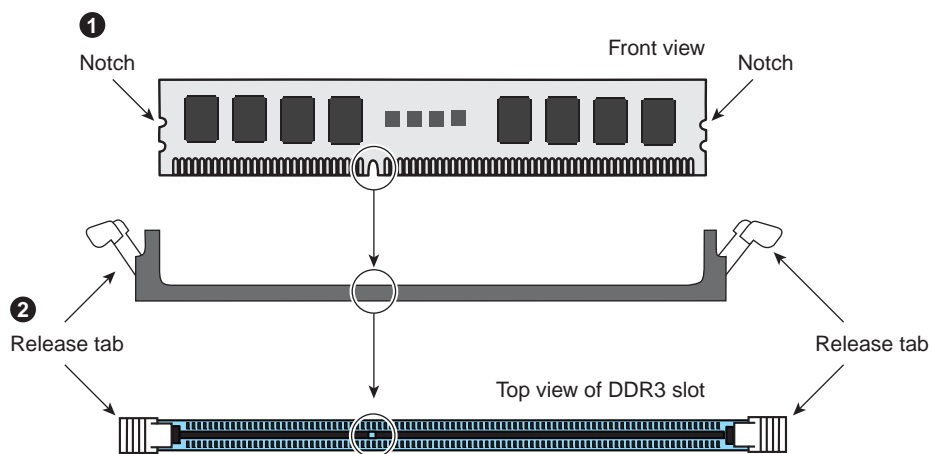


Figure 5-4 DIMM Installation Example

Memory DIMM Functionality Guidelines

Use the following guidelines when installing memory DIMMs:

Note: The minimum memory recommended on the system is 8 GB.

- Populate the DIMMs in groups of four per CPU to obtain the best overall memory capacity and performance from the serverboard.
- A minimum of one DIMM per processor **must** always be present for the system to function.
- Mixing DIMM Sizes - If mixing DIMM sizes on a processor, it is recommended to have the total number of ranks on each processor channel's DIMM be the same.

Note: The speed of the memory controller will reduce to the lowest speed DIMM installed on the processor's channels.

In addition to the previous requirements, the following conditions must be met to have a memory speed of 1866 MT/s:

- The processor must be capable of supporting 1866 MT/s
- The DIMM must be capable of running at 1866 MT/s
- Only one 1866 MHz DIMM can be installed on each memory channel

See the section [“Configuring DIMM Memory for Best Performance”](#) for additional processor/memory combination performance tips.

Configuring DIMM Memory for Best Performance

In addition to the rules listed in the previous subsection ([“Memory DIMM Functionality Guidelines”](#)), use the following guidelines to maximize processor/DIMM performance:

- For maximum memory performance, the DIMMs on a processor must be identical in:
 - Speed (1866, 1600 or 1333 MT/sec)
 - Number of ranks (1 or 2) - use of quad-rank DIMMs will reduce overall performance

- When configuring the memory for maximum performance, it is critical that the memory DIMM capacity, speed and rank configuration is balanced across all memory channels on a processor.
- Best overall speed (not memory capacity) is obtained with four 1866 MT/sec DIMMs for each processor (one on each channel). The DIMMs must be dual-ranked and identical in speed and capacity.

Hard Disk Drives (C2112-4G10 Chassis)

The 2U chassis supports a maximum of 12 SATA 3.5-inch hard disk drives (three per serverboard). Install the primary (system disk) drives from left to right starting in the bottom-left bay. [Figure 5-5](#) shows the drive trays that are connected with each serverboard and the disk positions. [Figure 5-6 on page 37](#) shows the positions of the individual serverboards.

Important: All the 3.5-inch hard disk drive bays **must** be populated with either a drive or a “drive blank” to maintain system thermals. Failure to follow this guideline may cause system overheating and thermal shutdown of the unit.

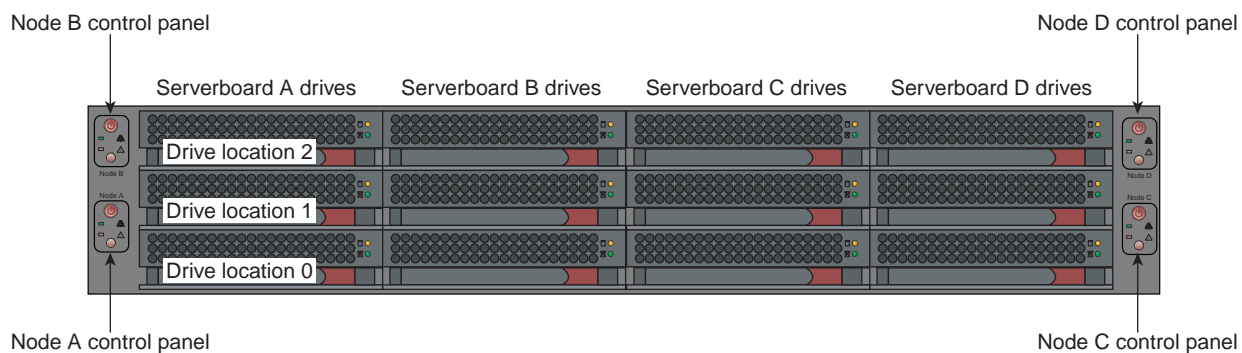


Figure 5-5 C2112-4G10 3.5-inch Hard Disk Drives

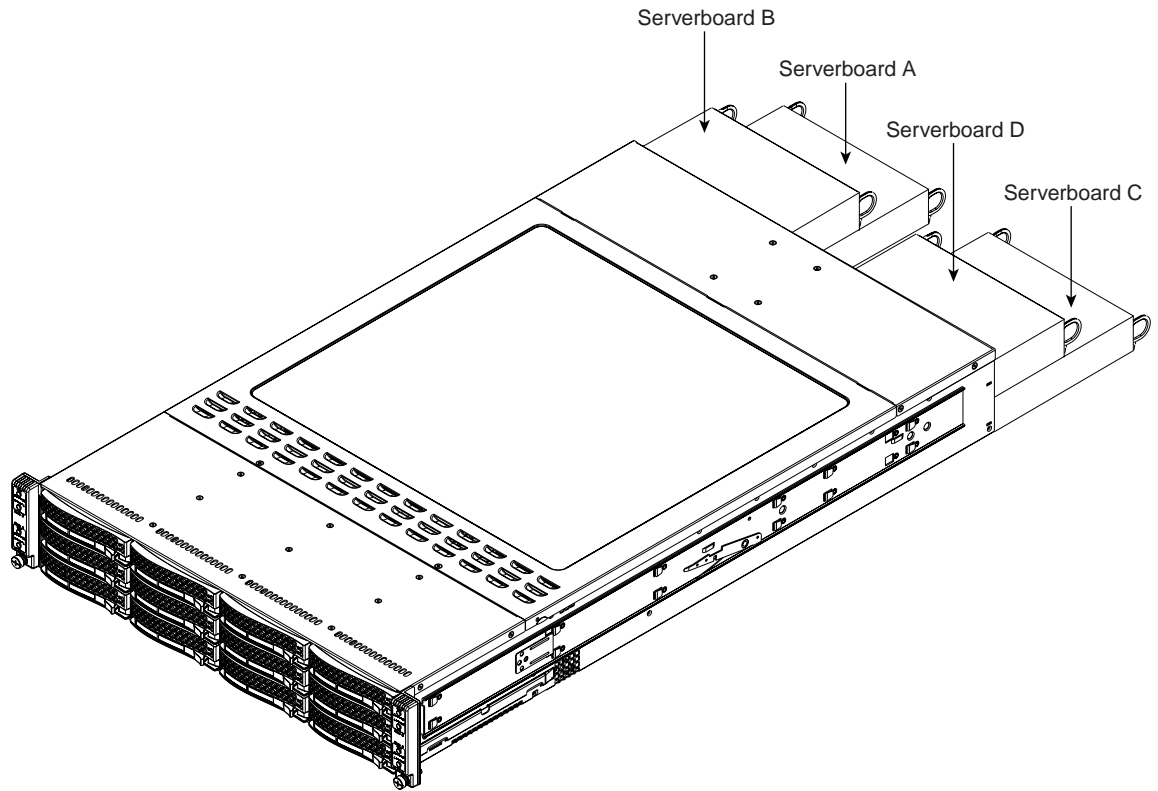


Figure 5-6 Serverboard Tray Configuration Description

Drive Configurations

The 3.5-inch hard disk drive configuration supported in the SGI Rackable C2112-4G10 server is non-RAID, Serial ATA Jbod.

This non-RAID disk array supports any number of drives between one and three. The operating system is placed on the disk drive in location 0. All other drives are data drives.

Note: RAID disk configurations are not supported as standard offerings with the C2112-4G10.

PCIe Expansion Cards

A riser card in each serverboard is used to support a low-profile PCIe expansion card. There is one low-profile PCIe expansion slot available with each of the C2112-4G10 serverboards.

Power Supply Functional Rating

The C2112-4G10 server default configuration is two power supplies. The second power supply acts as a redundant power unit for the server in most configurations. The supplies can operate from either 100-140V or 180-240V levels at 50 or 60Hz.

No tools are required to remove or replace a power supply in the C2112-4G10 server.

The supplies used have an 80 Plus Platinum Certification rating with a fault LED.

Basic Troubleshooting and Chassis Service

Use the procedures in the first half of this chapter to troubleshoot your system. If you have followed all of the procedures below and still need assistance, check with your authorized support organization.

The subsections in the second half of this chapter starting with “Chassis Service Information” on page 41 are intended to guide you through basic component remove and replace procedures.

Basic Troubleshooting Procedures

Use the information in the following subsections to remedy basic problems you might encounter when working with the Rackable C2112-4G10 server.

If the System Does Not Power Up

If the system serverboards will not power up when the front power buttons are pushed, use the following checklist to identify common sources for the problem:

- Make sure that both ends of each system power cable are firmly connected to the power supply and the corresponding power source(s) or power distribution unit (PDU).
- Check that the LED on each power supply is properly lit. The power supply has one status LED located on the left side of the front of the power supply. The status LED has three states as follows:
 - Dark or off - indicates no AC power present
 - Yellow - AC power is present, the server is not turned on (no DC power)
 - Green - AC power is present and the server is turned on (DC power present)
- Make sure that the serverboard “drawers” are all firmly seated in the chassis.

System Powers Up But Will Not Boot

If the system powers up but will not boot the Operating System, check the following:

- Check the system order document(s) - the C2112-4G10 server may have been ordered with no operating system. If so, check with your system administrator for OS loading information.
- Check the system disks for drive activity and confirm they are firmly seated in the disk bays. A red light on the front of a disk indicates a functional error, replace as applicable. Check with your service provider or local system administrator for drive replacement.

No Video After System Power Up

If the system powers up and appears to be booting normally but no video is present, try the following basic solutions:

- Confirm your monitor is plugged in and switched on.
- Check all video cables and ensure they are properly connected.
- If using an optional PCIe video card check the back of the card for LED activity or a fault indicator. Try shutting down the system, reseating the PCIe card, and rebooting.

If you cannot get a video signal after trying basic solutions, contact your support provider.

Memory Errors

If your system experiences memory related errors, try these basic troubleshooting steps to resolve or better identify the problem:

- Confirm that the power supply LED is not indicating an error.
- Shut the system down, remove the serverboard(s) and make sure that all the DIMM modules are properly and fully installed.
- You should be using registered ECC DDR3 memory. Also, it is recommended that you use the same memory type and speed for all DIMMs in the system. See Chapter 5 for more memory details.
- Check for bad DIMM modules or slots by swapping modules between slots and note results.

Contact your administrator or support provider if the memory errors continue.

Chassis Service Information

The following sections cover the steps required to remove or install components and perform maintenance on the C2112-4G10 chassis. For component installation, follow the steps in the order given to eliminate the most common problems encountered. If some steps are unnecessary, skip ahead to the step that follows.

Important: Always disconnect the AC power cord(s) before adding, changing or installing any internal hardware components.

Tools Required: The only tool you will need to install components and perform maintenance is a Phillips screwdriver.

Static-Sensitive Devices

Electrostatic discharge (ESD) can damage electronic components. To prevent damage to any printed circuit boards (PCBs), it is important to handle them very carefully. The following measures are generally sufficient to protect your equipment from ESD damage.

Precautions

- Use a grounded wrist strap designed to prevent static discharge.
- Touch a grounded metal object before removing any board from its antistatic bag.
- Handle a board by its edges only; do not touch its components, peripheral chips, memory modules or gold contacts.
- When handling chips or modules, avoid touching their pins.
- Put the serverboards, add-on cards and peripherals back into their antistatic bags when not in use.
- For grounding purposes, make sure your computer chassis provides excellent conductivity between the power supply, the case, the mounting fasteners and the serverboards.

Unpacking

Replacement components are usually shipped in antistatic packaging to avoid static damage. When unpacking an upgrade or replacement component, make sure the person handling it is static protected.

Control Panel

The control panels (located on the front of the chassis) must be connected to the JF1 connector on each serverboard to provide you with system status indications. A ribbon cable has bundled these wires together to simplify the connection. Connect the cable from JF1 on the serverboard to the Control Panel PCB (printed circuit board). Make sure the red wire plugs into pin 1 on both connectors. Pull all excess cabling out of the airflow path. The LEDs inform you of system status. See Chapter 3 for details on the LEDs and the control panel buttons. Details on JF1 can be found in Chapter 5.

System Fans

Four 8-cm hot-swap fans provide the cooling for the system. It is very important that the chassis top cover is properly installed and making a good seal in order for the cooling air to circulate properly through the chassis and cool the components.

To access and check on the system fans:

1. Unscrew the two fasteners holding the top cover to the chassis.
2. Lift the top cover up and away from the chassis.
3. Confirm that all ventilation openings in the top cover and chassis are unobstructed.

Important: Never operate the system for more than a short time (maintenance period) with the top cover removed, disk bays empty, or serverboard trays extracted. Overheating and system damage could result.

See [Figure 6-1 on page 43](#) for the location of the fan assemblies in the C2112-4G10 chassis.

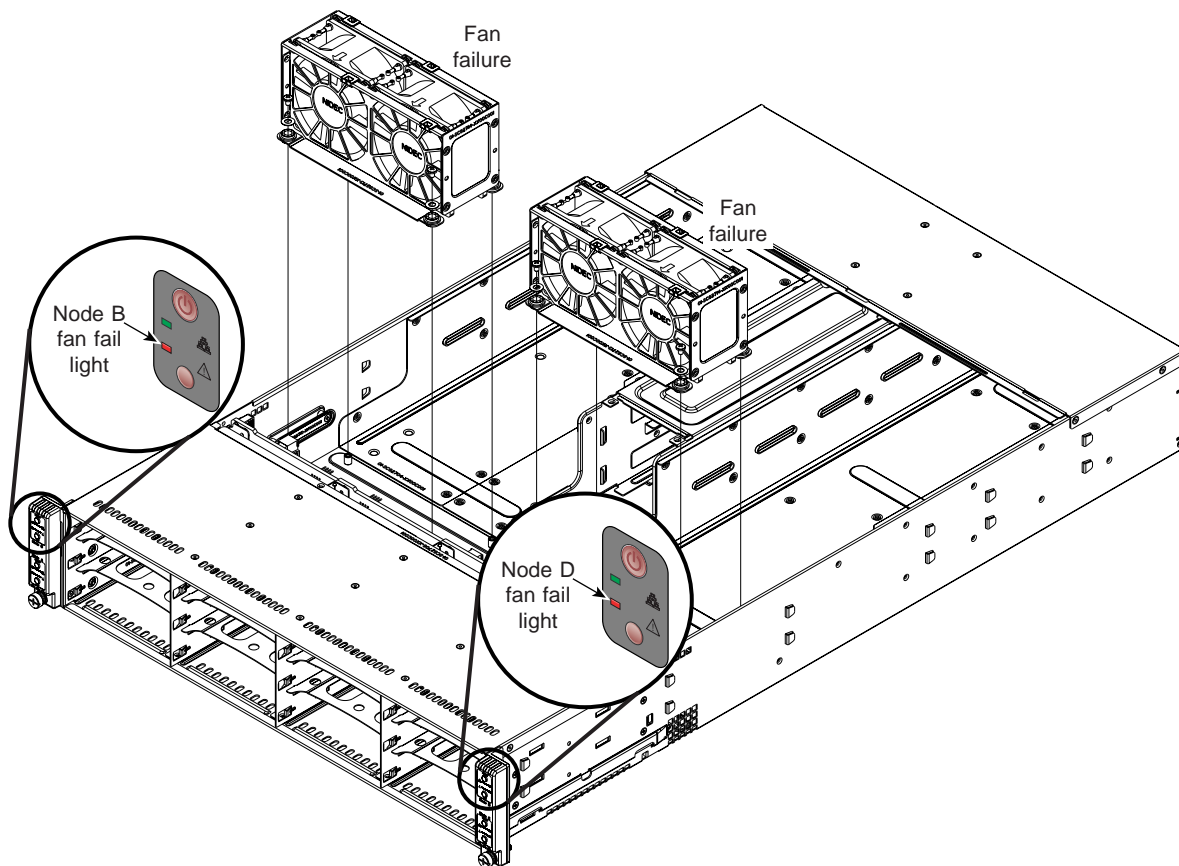


Figure 6-1 System Cooling Fan Assembly Locations

System Fan Failure

Fan speed is controlled by system temperature via a BIOS setting. If a fan fails, the remaining fans will ramp up to full speed and the overheat/fan fail LED on one of the control panels will flash see, [Table 6-1 on page 44](#), see also “[Overheat/Power Fail Condition](#)” in [Chapter 3](#).

Replace any failed fan as soon as possible with the same type and model (the system can continue to run with a failed fan).

Table 6-1 Fan Failure LED Identification

Left Fan Assembly Failure LED !	Right Fan Assembly Failure LED !
Detected by Node A or B	Detected by Node C or D
Indicates fan 1 or 2 malfunction (left side)	Indicates fan 3 or 4 malfunction (right side)

You can also remove the top chassis cover while the system is running to identify a failed fan.

Replacing System Fans

This section describes how to remove and replace a system fan.

Removing a Fan

1. Slide the server from the rack (if applicable) and remove the chassis top cover.
2. The fans are hot-pluggable and can be replaced while the system is running if needed. Note that the server should never be run for an extended period of time with the cover removed.
3. Locate and unplug the malfunctioning fan assembly from the system backplane.
4. Undo and pull the fan housing assembly up and out of the system chassis, see [Figure 6-2](#).
5. Push the failed fan up from the bottom and out of the top of the housing. .

Installing a New Fan

1. Install an identical replacement fan (8-cm, 12 volt fan) into the vacant space in the housing.

Important: Make sure the arrows on the top of the replacement fan (indicating air direction) point in the same direction as the arrows on the other fans.

2. Re-plug the new fan into the backplane assembly position the old one used.
3. If the system power is on, the hot-plug feature will cause the fan to start immediately upon being connected to its power source on the backplane.
4. Confirm that the fan is working properly before replacing the chassis cover.

5. Reinstall the chassis top cover and replace the server in the rack as applicable.

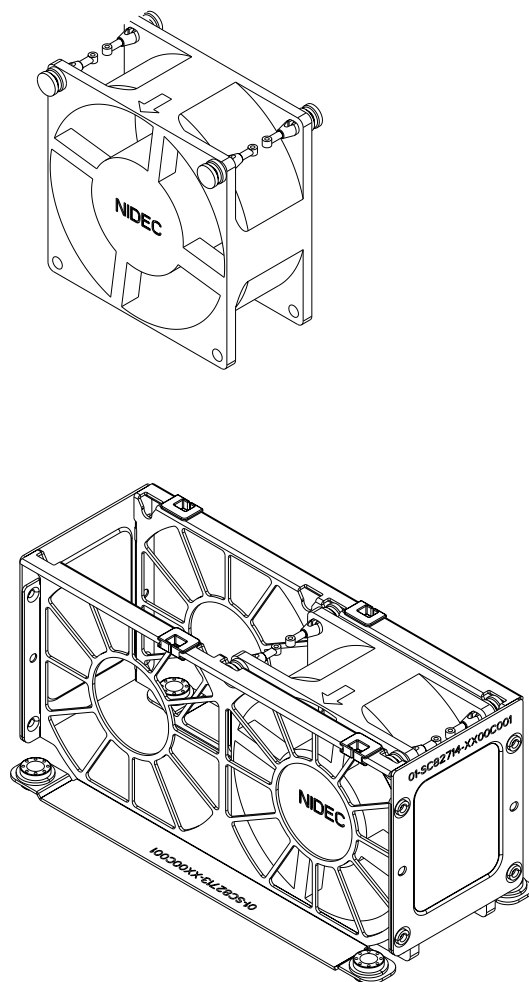


Figure 6-2 Fan Replacement Example

Drive Bay Installation/Removal

This section describes drive bay installation and removal.

Accessing the Drive Bays

Drives: You do not need to access the inside of the chassis to replace a 3.5-inch hard disk drive. Note the following before working with the system disk drives:

- Data may be lost or corrupted if you hot swap a Jbod disk drive
- RAID is not a supported configuration with the C2112-4G10 disks
- Removing a drive without replacing it may cause system errors

Proceed to the next sections for further hard drive remove/replace instructions.

Note: You must use approved standard 1-inch high, SATA 3.5-inch hard disk drives in the system.

Disk Drive Installation

The drives are mounted in drive carriers to simplify their installation and removal from the chassis. These carriers also help promote proper airflow for the drives. For this reason, even empty carriers without hard drives installed must remain in the chassis.

Mounting a Disk Drive in a Drive Carrier

1. To add a new 3.5-inch hard disk, install the drive into the carrier with the printed circuit board side facing down so that the mounting holes align with those in the carrier.

Note: Always work with drives on a static-free work surface.

2. Secure the drive to the carrier with side-mounting screws, see the example in [Figure 6-3 on page 47](#).

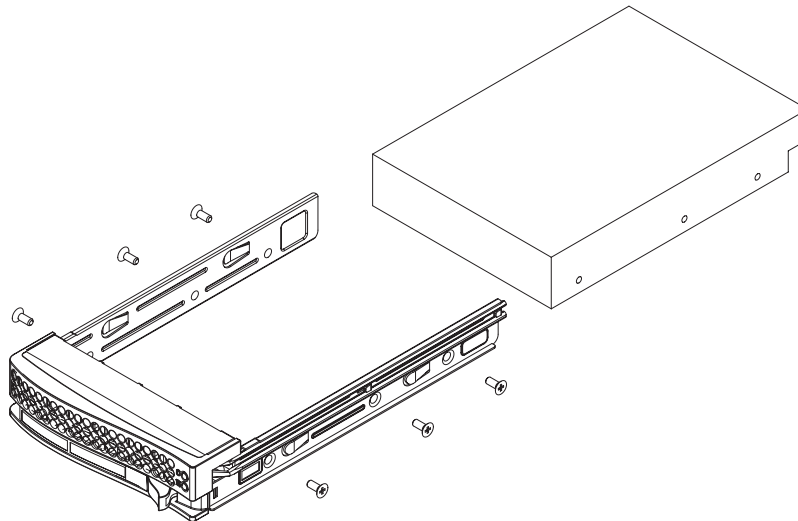


Figure 6-3 Example of Mounting a Drive in a Carrier

Installing/Removing Disk Drives

1. Push the release button located beside the drive's LEDs.
2. Swing the handle fully out and use it to pull the drive carrier straight out (see [Figure 6-4](#)).

Note: RAID support enabling hot-plug capability of the 3.5-inch hard disk drives is **not** an SGI supported configuration for the C2112-4G10 server.

3. Place the drive on a static-free surface or in a static-free container.

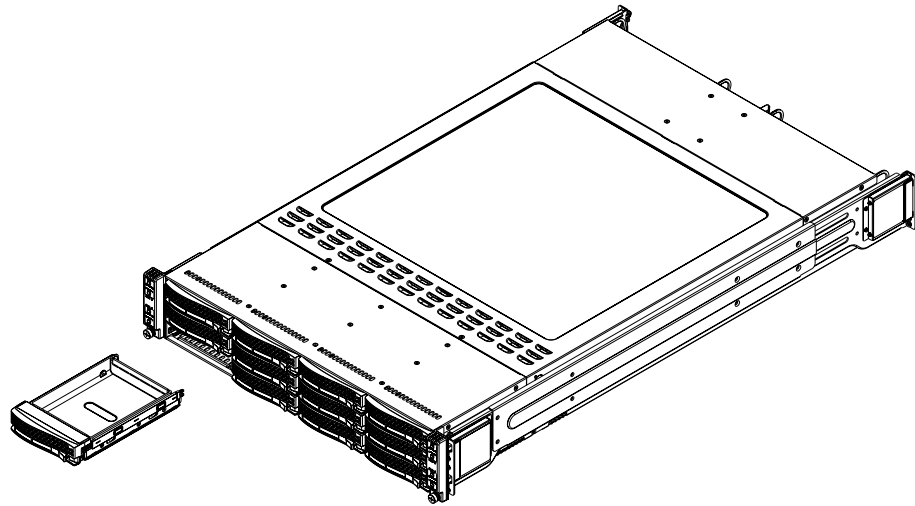


Figure 6-4 Removing a Disk Drive Carrier



Important: Regardless of how many hard drives are installed, all drive carriers must remain in the drive bays while the system is operating to maintain proper airflow.

Hard Drive Backplane

The hard drives plug into a backplane that provides power, drive ID and bus termination. The backplane is already pre-configured, so no jumper or switch configurations are required.



Caution: Use caution when working around the drive backplane. Do not touch the backplane with any metal objects and make sure no ribbon cables touch the backplane or obstruct the holes, which aid in proper airflow.

Power Supply

The server uses a power supply system consisting of two replaceable power modules. Each power supply module has an auto-switching capability, which enables it to automatically sense and operate at a 100V - 240V input voltage.

Power Supply Failure

In most configurations of the C2112-4G10 server your system has power supply redundancy. If either of the two power supply modules fail, the other module will take the full load and allow the system to continue operation without interruption. The PWR Fail LED will illuminate and remain on until the failed unit has been replaced.

Removing/Replacing the Power Supply

If the server is continuing to work with only the second power supply, you do not need to shut down the system to replace the failed unit. In most configurations, the second power supply module will keep the system up and running while you obtain a replacement. Always replace a failed power supply with the same model as soon as possible.

Removing the Power Supply

1. First unplug the AC power cord from the failed power supply module.
2. Depress the locking tab on the power supply module.
3. Pull it straight out using the rounded handle, see [Figure 6-5 on page 50](#) for an example.

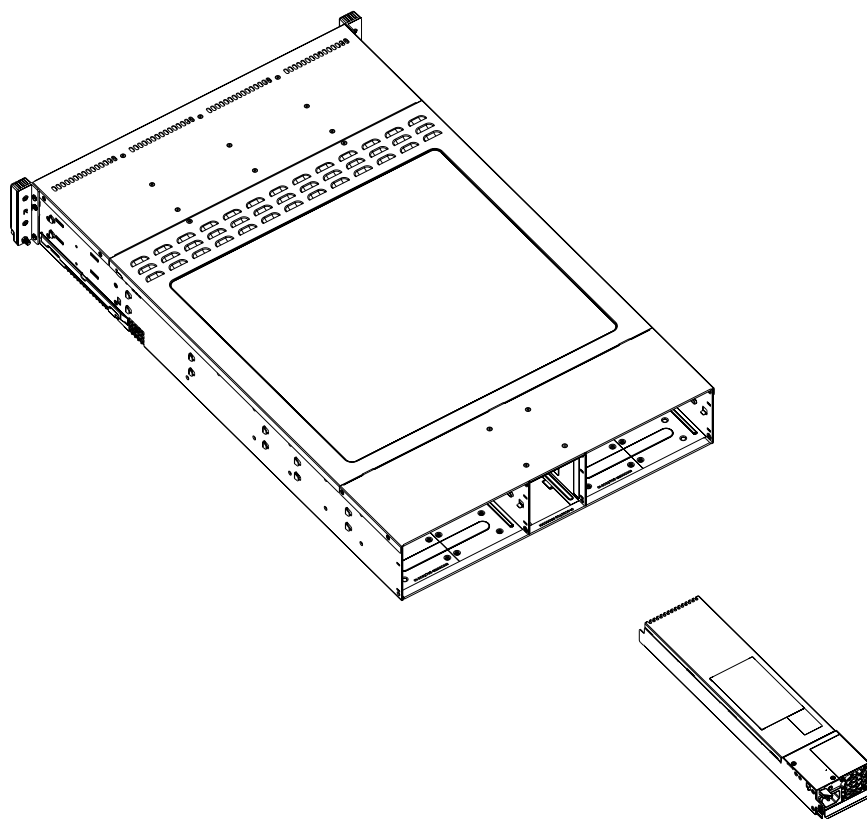


Figure 6-5 Power Supply Removal Example

Installing a New Power Supply

1. Replace the failed hot-swap unit with another identical power supply unit.
2. Push the new power supply unit into the power bay until you hear a click.
3. Secure the locking tab on the unit.
4. Finish by plugging the AC power cord back into the unit.

PCIe Card Installation Steps

A PCIe-support riser card has already been pre-installed into each of the four serverboards. The riser accepts only low-profile PCIe option boards.

Perform the following steps to install a low-profile PCIe add-on card:

1. Power off the server.
2. Use a phillips-head screwdriver to remove the retention screw to the left of the PCIe slot (see [Figure 6-6](#) for an example).
3. Slide the rectangular PCIe retention tab to the left.

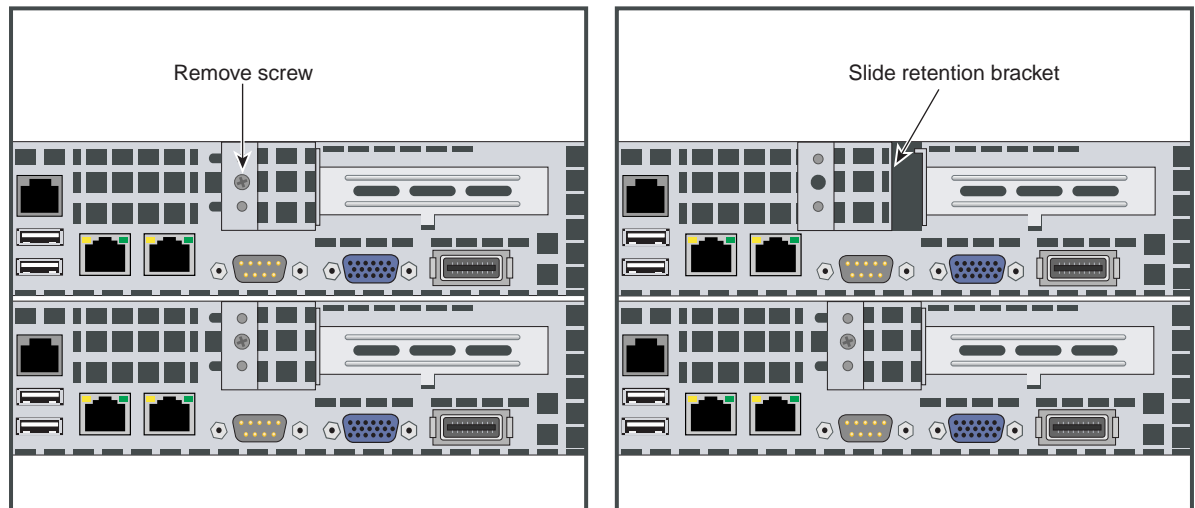


Figure 6-6 PCIe Retention Screw and Tab

4. Grasp the serverboard's circular handles at either end and simultaneously push inward on the tab beneath each handle, see [Figure 6-7](#) on page 52 for an example.
5. Pull the serverboard tray out until the PCIe riser card is fully visible.
6. Remove the PCIe slot shield on the serverboard rear panel.
7. Insert the add-on card into the riser card's PCIe slot.
8. Secure the add-on card with the sliding rectangular lock tab and replace the retention screw.

- Slide the serverboard tray gently back into the system until it “clicks” into place.

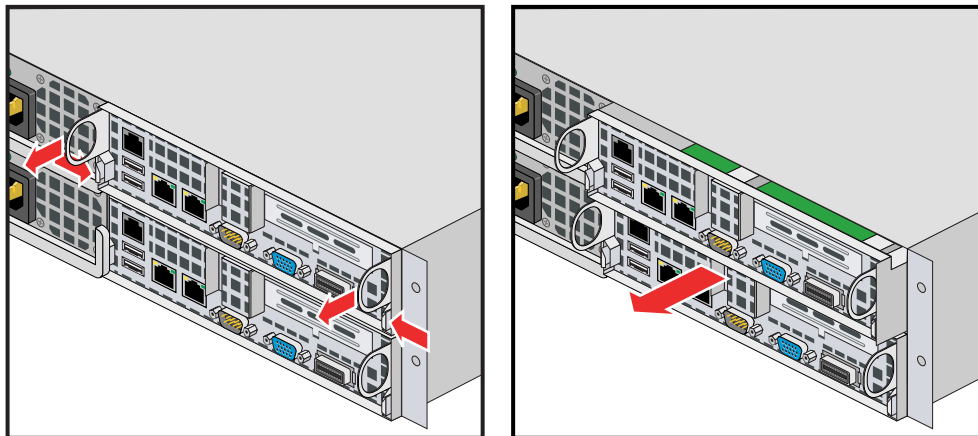


Figure 6-7 Extracting a Serverboard

BIOS

This chapter describes the AMI BIOS Setup Utility for the serverboard. The AMI ROM BIOS is stored in a Flash EEPROM and can be updated when needed. This chapter describes the basic navigation of the AMI BIOS Setup Utility setup screens.

Note: Due to periodic changes to the BIOS, some settings may have been added or deleted and might not be recorded in this manual. Contact your service representative to obtain the latest BIOS release.

Starting BIOS Setup Utility

To enter the AMI BIOS Setup Utility screens, press the <Delete> key while the system is booting up.

Note: In most cases, the <Delete> key is used to invoke the AMI BIOS setup screen. There are a few cases when other keys are used, such as <F1>, <F2>, <ESC> etc.

Each main BIOS menu option is described in this manual. The Main BIOS setup menu screen has two main frames. The left frame displays all the options that can be configured. Grayed-out options cannot be configured. Options in blue can be configured by the user. The right frame displays the key legend. Above the key legend is an area reserved for a text message. When an option is selected in the left frame, it is highlighted in white. Often a text message accompanies it.

A ">" indicates a submenu. Highlighting such an item and pressing the <Enter> key will open the list of settings within that submenu.

Note: The AMI BIOS has default text messages built in. These text messages may be included, omitted, or changed across BIOS releases.

The AMI BIOS Setup Utility uses a key-based navigation system called "hot keys". Most of the AMI BIOS setup utility "hot keys" can be used at any time during the setup navigation process. These keys include <F1>, <F10>, <Enter>, <ESC>, arrow keys, etc.

Note: Options printed in Bold are default settings.

How To Change the Configuration Data

The configuration data that determines the system parameters may be changed by entering the AMI BIOS Setup utility. This Setup utility can be accessed by pressing at the appropriate time during system boot.

Starting the Setup Utility

Normally, the only visible Power-On Self-Test (POST) routine is the memory test. As the memory is being tested, press the <Delete> key to enter the main menu of the AMI BIOS Setup Utility. From the main menu, you can access the other setup screens. An AMI BIOS identification string is displayed at the left bottom corner of the screen below the copyright message.



Warning: Do not upgrade the BIOS unless your system has a BIOS-related issue. Flashing the wrong BIOS can cause irreparable damage to the system. In no event shall the manufacturer be liable for direct, indirect, special, incidental, or consequential damages arising from a BIOS update. If you have to update the BIOS, do not shut down or reset the system while the BIOS is updating. This is to avoid possible boot failure.

Main Menu

When you first enter AMI BIOS Setup Utility, you will see the Main Menu screen. You can always return to the Main Menu by selecting the **Main** tab on the top of the screen with the arrow keys. The Main Menu screen provides you with a system overview, which includes the version, build date and ID of the AMIBIOS, the type, speed and number of the processors in the system and the amount of memory installed in the system.

BIOS Build Date

This item displays the date when this BIOS was completed.

AMI BIOS Core Version

This item displays the revision number of the AMI BIOS Core upon which your BIOS was built.

Processor Status

The AMI BIOS will automatically display the status of the processors used in your system:

CPU Type: This item displays the type of CPU used in the motherboard.

Speed: This item displays the speed of the CPU detected by the BIOS.

Physical Count: This item displays the number of processors installed in your system as detected by the BIOS.

Logical Count: This item displays the number of CPU Cores installed in your system as detected by the BIOS.

Micro_code Revision: This item displays the revision number of the BIOS Micro_code used.

System Memory

This displays the size of memory available in the system:

Size: This item displays the memory size detected by the BIOS, including:

- Populated Size
- Available Size

System Time/System Date

You can edit this field to change the system time and date. Highlight *System Time* or *System Date* using the <Arrow> keys. Enter new values through the keyboard and press <Enter>. Press the <Tab> key or the <Arrow> keys to move between fields. The date must be entered in DAY/MM/DD/YYYY format. The time is entered in HH:MM:SS format. Please note that time is in a 24-hour format. For example, 5:30 A.M. appears as 05:30:00 and 5:30 P.M. as 17:30:00.

Advanced Settings Menu

Boot Feature Configurations

Quick Boot

If Enabled, this option will skip certain tests during POST to reduce the time needed for the system to boot up. The options are **Enabled** and Disabled.

Quiet Boot

If **Disabled**, normal POST messages will be displayed on boot-up. If Enabled, this display the OEM logo instead of POST messages.

Add On ROM Display Mode

This option sets the display mode for Option ROM. The options are **Force BIOS** or Keep Current.

Bootup Num Lock

This option selects the power-on state for the NUM lock to either **On** or Off.

Wait for F1 if Error

This setting controls the system response when an error is detected during the boot sequence. When enabled, BIOS will stop the boot sequence when an error is detected, at which point you will need to press the F1 button to re-enter the BIOS setup menu. The options are **Enabled** and Disabled.

Hit 'DEL' Message Display

Use this option to **Enable** or Disable the "Press DEL to run setup" message in POST.

Watch Dog Function

This option allows the system to restart when it isn't active for more than 5-minutes. Options include Enabled and **Disabled**.

Power Button Function

Use this option to select the mode for the power button when it is turned off. Options include 4 Seconds Override or **Instant Off**.

Restore on AC Power Loss

This option sets the action the system will take if there is an AC power loss to the system. Options include Power Off, Power On or **Last State**.

Interrupt 19 Capture

Select Enabled to allow ROMs to trap Interrupt 19. The options are **Enabled** and Disabled.

Processor & Clock Options Configuration

CPU Configuration

This displays static information on the Module Version, AGESA Version, Physical Count and Logical Count for the system's processor(s) and clock.

CPU Information

This setting is used to select which physical CPU's information to display. Options include **Processor 0** or Processor 1. The information for the selected processor includes Processor number, Revision, Cache L1/L2/L3, Speed, NB CLK, Able to Change Frequency and uCode Patch Level. Note that processor zero (0) is always the "Boot Strap Processor" or main CPU with all others being "Application Processors".

GART Error Reporting

This option should remain disabled for normal operation. The driver developer may enable this option for testing purposes. Options are Enabled or **Disabled**.

Microcode Update

This setting **Enables** or Disables microcode updating.

Secure Virtual Machine Mode

This setting is used to **Enable** or Disable SVM.

Power Now

This setting is used to **Enable** or Disable the AMD Power Now feature.

Power Cap

This option can decide the highest P-state in the OS. Options include **P-state 0** through P-state 4.

CPU DownCore

This option sets down core support for the CPU. Options include **Disabled**, 1 Core through n Cores in odd numbered increments. The value n is dependant on the core per CPU node.

C1E Support

This option **Enables** or Disables C1E support.

Clock Speed Spectrum

This option Enables or **Disables** spread spectrum modulation.

Advanced Chipset Control and Configuration (NorthBridge)

Memory Configuration

Bank Interleaving

Select Auto to automatically enable a bank-interleaving memory scheme when this function is supported by the processor. The options are **Auto** and Disabled.

Node Interleaving

This option enables node memory interleaving. Options include Auto or **Disabled**.

Channel Interleaving

This option enables channel memory interleaving. Options include **Auto** or Disabled.

CS Sparing

This setting will reserve a spare memory rank in each node when enabled. Options are Enabled and **Disabled**.

Bank Swizzle Mode

This setting **Enables** or Disables the bank swizzle mode.

ECC Configuration

ECC Mode

This submenu sets the level of ECC protection. Options include Disabled, **Basic**, Good, Super, Max and User. Selecting User activates the other options for user setting.

Note: The "Super" ECC mode dynamically sets the DRAM scrub rate so all of memory is scrubbed in 8-hours.

DRAM ECC Enable

This setting allows hardware to report and correct memory errors automatically, maintaining system integrity. Options are **Enabled** or Disabled.

DRAM Timing Configuration

DRAM Timing Config

This setting specifies the DRAM timing configuration. Options are **Auto** and Manual.

HT Speed Support

This setting selects HT Link frequency. A cold reset is needed after changing this setting. Options include HT1 and **Auto**.

IOMMU

This setting is used to enable or disable or set the GART size in systems without AGP. Options include Enabled and **Disabled**.

Memory Timing Parameters

This selects the which node's timing parameters to display. Options include **CPU Node 0**, CPU Node 1, CPU Node 2 or CPU Node 3.

SouthBridge Configuration

OHCI/EHCI HC Device Functions

These settings allow you to either **Enable** or Disable functions for OHCI or EHCI bus devices.

USB 2.0 Controller Mode

Use this setting to configure the USB 2.0 Controller in either Hi-Speed (480 Mps) or Full Speed (12 Mps) mode. Options include **Enabled** (Hi-Speed Mode) or Disabled (Full Speed Mode).

Legacy USB Support

Select "Enabled" to enable the support for USB Legacy. Disable Legacy support if there are no USB devices installed in the system. "Auto" disabled Legacy support if no USB devices are connected. The options are Disabled, Enabled and **Auto**.

IDE Configuration

On Chip SATA Channel

This setting allows you to **Enable** or Disable the On Chip SATA channel.

On Chip SATA Type

Use this setting to set the On Chip SATA type. Options include **Native IDE**, RAID, AMD_AHCI and Legacy IDE. Note that RAID is **not** an SGI supported configuration for the C2112-4G10.

SATA IDE Combined Mode

This setting allows you to **Enable** or Disable the SATA IDE combined mode.

PATA Channel Configuration

This allows you to set PATA channel configuration. Options include **SATA as Primary** or SATA as secondary.

Primary/Secondary/Third/Fourth IDE Master/Slave

LBA/Large Mode

LBA (Logical Block Addressing) is a method of addressing data on a disk drive. The options are Disabled and **Auto**.

Block (Multi-Sector Transfer)

Block mode boosts IDE drive performance by increasing the amount of data transferred. Only 512 bytes of data can be transferred per interrupt if block mode is not used. Block mode allows

transfers of up to 64 KB per interrupt. Select "Disabled" to allow the data to be transferred from and to the device one sector at a time. Select "Auto" to allow the data transfer from and to the device occur multiple sectors at a time if the device supports it. The options are **Auto** and Disabled.

PIO Mode

PIO (Programmable I/O) mode programs timing cycles between the IDE drive and the programmable IDE controller. As the PIO mode increases, the cycle time decreases.

The options are **Auto**, 0, 1, 2, 3, and 4. Select Auto to allow BIOS to auto detect the PIO mode. Use this value if the IDE disk drive support cannot be determined. Select 0 to allow BIOS to use PIO mode 0, which has a data transfer rate of 3.3 MBs. Select 1 to allow BIOS to use PIO mode 1, which has a data transfer rate of 5.2 MBs. Select 2 to allow BIOS to use PIO mode 2, which has a data transfer rate of 8.3 MBs. Select 3 to allow BIOS to use PIO mode 3, which has a data transfer rate of 11.1 MBs. Select 4 to allow BIOS to use PIO mode 4, which has a data transfer rate of 16.6 MBs. This setting generally works with all hard disk drives manufactured after 1999. For other disk drives, such as IDE CD-ROM drives, check the specifications of the drive.

DMA Mode

Selects the DMA Mode. Options are **Auto**, SWDMA0, SWDMA1, SWDMA2, MWDMA0, MDWDMA1, MWDMA2, UDMA0, UDMA1, UDMA2, UDMA3, UDMA4 and UDMA5. (SWDMA=Single Word DMA, MWDMA=Multi Word DMA, UDMA=UltraDMA.)

S.M.A.R.T.

Self-Monitoring Analysis and Reporting Technology (SMART) can help predict impending drive failures. Select "Auto" to allow BIOS to auto detect hard disk drive support. Select "Disabled" to prevent AMI BIOS from using the S.M.A.R.T. Select "Enabled" to allow AMI BIOS to use the S.M.A.R.T. to support hard drive disk. The options are Disabled, Enabled, and **Auto**.

32-Bit Data Transfer

Select "Enabled" to activate the function of 32-Bit data transfer. Select "Disabled" to deactivate the function. The options are **Enabled** and Disabled.

IDE Detect Timeout (Sec)

Use the +/- keys to adjust and select the time out for detecting ATA/ATAPI devices. The default value is **35**.

PCI/PNP Settings Menu

Clear NVRAM

Select Yes to clear NVRAM during boot-up. The options are Yes and **No**.

Plug & Play O/S

Select Yes to allow the OS to configure Plug & Play devices. (This is not required for system boot if your system has an OS that supports Plug & Play.) Select **No** to allow AMIBIOS to configure all devices in the system.

PCI Latency Timer

This option sets the latency of all PCI devices on the PCI bus. Select a value to set the PCI latency in PCI clock cycles. Options are 32, **64**, 96, 128, 160, 192, 224 and 248.

PCI IDE Busmaster

Use this setting to **Enable** or Disable BIOS enabled uses of PCI Busmastering for reading or writing to IDE drives.

Onboard InfiniBand Controller

This option **Enables** or Disables the onboard InfiniBand controller.

Onboard VGA Controller

This option **Enables** or Disables the onboard VGA controller.

Onboard LAN Controller

This option **Enables** or Disables the onboard LAN controller.

ROM Scan Ordering

This setting determines which kind of option ROM activates prior to another. Options include **Onboard First** and Addon First.

PCIe Slot 1 / SXB2 Riser

These setting sets options for the PCIe Slot 1/SXB2 Riser slot on the serverboard. Options include Auto, **1x16** or 2x8.

PCIE X16 Slot 1 / SXB2

These settings **Enable** or Disable the specified PCIe X16/SXB2 slot in your system.

SXB1

This setting **Enables** or Disables the SXB1 slot on your system.

Onboard LAN Option ROM Select

This setting allows you to select the onboard LAN option ROM for iSCSI or **PXE**.

Note: You must enable **ONLY** LAN1 when the iSCSI support option is specified.

Load Onboard LAN 1 Option ROM

This option allows you to **enable** or disable the onboard LAN 1 option ROM.

Load Onboard LAN 2 Option ROM

This option allows you to **enable** or disable the onboard LAN 2 option ROM.

Boots Graphic Adapter Priority

This option specifies the primary video controller for Onboard VGA or **Offboard VGA**.

SuperIO Device Configuration

Serial 1 Address

This option specifies the base I/O port address and Interrupt Request address of serial port 1. Select "Disabled" to prevent the serial port from accessing any system resources. When this option is set to *Disabled*, the serial port physically becomes unavailable. Select "3F8/IRQ4" to allow the serial port to use 3F8 as its I/O port address and IRQ 4 for the interrupt address. Options include Disabled, **3F8/IRQ4**, 3E8/IRQ4 and 2E8/IRQ3

Serial 2 Address

This option specifies the base I/O port address and Interrupt Request address of serial port 2. Select "Disabled" to prevent the serial port from accessing any system resources. When this option is set to "Disabled", the serial port physically becomes unavailable. Select "2F8/IRQ3" to allow the serial port to use 2F8 as its I/O port address and IRQ 3 for the interrupt address. Options include Disabled, **2F8/IRQ3**, 3E8/IRQ4 and 2F8/IRQ3.

Serial Port 2 Attribute

This option allows you to set COM2 as a normal serial port or as virtual COM for SOL. Options are **SOL** or **COM**.

Remote Access Configuration

Remote Access

Use this option to **Enable** or Disable Remote Access in your system. If enabled, the settings below will appear.

Serial Port Number

Use this setting to select the serial port for console redirection. Options include COM1, **COM2***. The displayed base address and IRQ for the serial port changes to reflect the selection you make.

Note: Make sure the selected port is enabled.

Serial Port Mode

Selects the serial port settings to use. Options are **(115200 8, n, 1)**, (57600 8, n, 1), (38400 8, n, 1), (19200 8, n, 1) and (09600 8, n, 1).

Flow Control

Selects the flow control to be used for console redirection. Options are **None**, Hardware and Software.

Redirection After BIOS POST

Options are Disable (no redirection after BIOS POST), Boot Loader (redirection during POST and during boot loader) and **Always** (redirection always active).

Note that some OS's may not work with this set to Always.

Terminal Type

Selects the type of the target terminal. Options are **ANSI**, VT100 and VTUTF8.

Sredir Memory Display Delay

Use this setting to set the delay in seconds to display memory information.

Options are **No Delay**, 1 sec, 2 secs and 4 secs.

Hardware Health Configuration

CPU Overheat Alarm

This setting allows you to specify the type of alarm for CPU overheating. Options include The Early Alarm and **The Default Alarm**.

Fan Speed Control Modes

This feature allows the user to determine how the system will control the speed of the onboard fans. The options are Full Speed/FS (Max Cooling), Performance/ PF (Better Cooling),

Balanced/BL (Balance between performance and energy saving), Energy Saving/ES (Lower Power and Noise). Other items in the submenu are systems monitor displays for the following information:

CPU 1 Temperature, CPU 2 Temperature, NB Temperature, VRD1 Temperature, VRD2 Temperature, System Temperature, Air Temperature, Fan 1 Reading, Fan 2 Reading, CPU1 Vcore, CPU2 Vcore, CPU1 Mem VTT, CPU2 Mem VTT, CPU1 Mem, CPU2 Mem, 1.1V, 1.8V, 5V +12V, 3.3 Vcc, 3.3 VSB, VBAT and HT Voltage.

ACPI Configuration

ACPI Aware O/S

This setting Enables or Disables ACPI support for the system's operating system. Options include **Yes** (enabled) or **No** (disabled).

ACPI APIC Support

Determines whether to include the ACPI APIC table pointer in the RSDT pointer list. The available options are **Enabled** and **Disabled**.

Headless Mode

Use this setting to **Enable** or **Disable** headless operation mode through ACPI.

ACPI Version Features

Use this setting to determine which ACPI version to use. Options are ACPI v1.0, **ACPI v2.0** and ACPI v3.0.

NUMA Support

Use this setting to **Enable** or **Disable** the building of an ACPI SRAT Table.

IPMI Configuration

This menu shows static information about the IPMI firmware revision and status of the BMC, as well as options for IPMI configuration.

View BMC System Event Log

Pressing the Enter key will open the following settings. Use the "+" and "-" keys to navigate through the system event log.

Clear BMC System Event Log

Selecting this and pressing the Enter key will clear the BMC system event log.

Set LAN Configuration

Use the "+" and "-" keys to choose the desired channel number. This displays Channel Number and Channel Number Status information.

This menu contains options for inputting settings for the SET LAN Configuration Command. See IPMI 1.5 Specification, table 11.1 for details. Use the "+" and "-" keys to choose the desired channel number. Note that each question in this group may take a considerable amount of time.

IP Address Source

This submenu sets the IP address source as either Static or **DHCP**. Selecting Static allows you to manually set the IP Address, Subnet Mask and Gateway Address. If Static is selected, you will need to know and enter manually the IP address of this machine. If DHCP is selected, the BIOS will search for a DHCP (Dynamic Host Configuration Protocol) server in the network it is attached to, and request the next available IP address.

The following items are assigned IP addresses automatically if DHCP is selected under IP Address Source above:

IP Address

This submenu sets the IP address source as either Static or DHCP. Selecting Static allows you to manually set the IP Address, Subnet Mask and Gateway Address.

In the field provided here enter the IP address in the decimal form of xxx.xxx.xxx.xxx with xxx having a value of less than 256 and in decimal form only. The IP address and current IP address in the BMC are shown.

Subnet Mask

In the field provided here enter the Subnet address in the decimal form of xxx.xxx.xxx.xxx with xxx having a value of less than 256 and in decimal form only. The current subnet address in the BMC is shown.

Gateway Address

In the field provided here enter the Gateway address in the decimal form of xxx.xxx.xxx.xxx with xxx having a value of less than 256 and in decimal form only. The current Gateway address in the BMC is shown.

MAC Address

In the field provided here enter the MAC address in the hex form of xx.xx.xx.xx.xx.xx with xx in hex form only. The current MAC address in the BMC is shown.

Event Log Configuration

View Event Log

Pressing the Enter key will open the event log. Use the "↑" and "↓" keys to navigate through the system event log.

Mark All Events as Read

Selecting this and pressing the Enter key marks all events as read in the event log.

Clear Event Log

Selecting this and pressing the Enter key clears the system event log.

SR56x0 (RD890S) PCIE Error Log

This setting allows you set an error log for PCIE errors. Options include Yes or **No**.

Security Menu

AMI BIOS provides a Supervisor and a User password. If you use both passwords, the Supervisor password must be set first.

Change Supervisor Password

Select this option and press <Enter> to access the sub menu, and then type in the password.

Change User Password

Select this option and press <Enter> to access the sub menu, and then type in the password.

Boot Sector Virus Protection

This option is near the bottom of the Security Setup screen. Select "Disabled" to deactivate the Boot Sector Virus Protection. Select "Enabled" to enable boot sector protection. When "Enabled", AMI BIOS displays a warning when any program (or virus) issues a Disk Format command or attempts to write to the boot sector of the hard disk drive. The options are Enabled and **Disabled**.

Boot Menu

The Boot Menu is accessible only when the "Load Onboard LAN Option ROM" setting (in the PCI/PnP Configuration menu) is enabled.

Boot Device Priority

This feature allows you to prioritize the boot sequence from the list of available devices. A device that is in parenthesis has been disabled in the corresponding type menu.

Removable Drives

This feature allows you to specify the boot sequence from the list of available removable drives. A device that is in parenthesis has been disabled in the corresponding type menu.

Hard Disk Drives

This feature allows you to specify the boot sequence from the list of available hard disk drives. A device that is in parenthesis has been disabled in the corresponding type menu.

CD/DVD Drives

This feature allows you to specify the boot sequence from the list of available CD/DVD drives. A device that is in parenthesis has been disabled in the corresponding type menu.

USB Drives

This feature allows you to specify the boot sequence from the list of available USB drives. A device that is in parenthesis has been disabled in the corresponding type menu.

Network Drives

This feature allows you to specify the boot sequence from the list of available network drives. A device that is in parenthesis has been disabled in the corresponding type menu.

Retry Boot Devices

This option allows you to retry boot devices. Options include Enabled and **Disabled**.

Exit Menu

Select the Exit tab from AMI BIOS Setup Utility screen to enter the Exit BIOS Setup screen.

Save Changes and Exit

When you have completed the system configuration changes, select this option to leave BIOS Setup and reboot the computer, so the new system configuration parameters can take effect. Select Save Changes and Exit from the Exit menu and press <Enter>.

Discard Changes and Exit

Select this option to quit BIOS Setup without making any permanent changes to the system configuration and reboot the computer. Select Discard Changes and Exit from the Exit menu and press <Enter>.

Discard Changes

Select this option and press <Enter> to discard all the changes and return to AMI BIOS Utility Program.

Load Optimal Defaults

To set this feature, select Load Optimal Defaults from the Exit menu and press <Enter>. Then Select "OK" to allow BIOS to automatically load the Optimal Defaults as the BIOS Settings. The Optimal settings are designed for maximum system performance, but may not work best for all computer applications.

Load Fail-Safe Defaults

To set this feature, select Load Fail-Safe Defaults from the Exit menu and press <Enter>. The Fail-Safe settings are designed for maximum system stability, but not maximum performance.

BIOS Error Beep Codes

During Power-On Self-Test (POST) routines, which are performed each time the system is powered on, errors may occur.

Non-fatal errors are those which, in most cases, allow the system to continue the boot-up process. The error messages normally appear on the screen.

Fatal errors are those which will not allow the system to continue the boot-up procedure. If a fatal error occurs, you should consult with your system manufacturer for possible repairs.

These fatal errors are usually communicated through a series of audible beeps. The numbers on the fatal error list (see [Table A-1](#)) correspond to the number of beeps for the corresponding error.

Table A-1 BIOS Error Codes

Beep Code	Error Message	Description
1 beep	Refresh	Circuits have been reset.(Ready to power up)
5 short beeps + 1 long beep	Memory error	No memory detected in the system
1 long beep +8 short beeps	Display error	Video error - adapter missing or with faulty memory

System Operating and Regulatory Overview

This appendix provides basic environmental operating requirements and regulatory information for the server.

Operating Environment

Operating Temperature: 0° to 35° C (32° to 95° F)

Non-operating Temperature: -40° to 70° C (-40° to 158° F)

Operating Relative Humidity: 20% to 95% (non-condensing)

Non-operating Relative Humidity: 5 to 95% (non-condensing)

Regulatory Compliance

Electromagnetic Emissions: FCC Class A, EN 55022 Class A, EN 61000-3-2/-3-3, CISPR 22 Class A

Electromagnetic Immunity: EN 55024/CISPR 24, (EN 61000-4-2, EN 61000-4-3, EN 61000-4-4, EN 61000-4-5, EN 61000-4-6, EN 61000-4-8, EN 61000-4-11)

Safety: CSA/EN/IEC/UL 60950-1 Compliant, UL or CSA Listed (USA and Canada), CE Marking (Europe)

California Best Management Practices Regulations for Perchlorate Materials: This Perchlorate warning applies only to products containing CR (Manganese Dioxide) Lithium coin cells. “Perchlorate Material-special handling may apply. See www.dtsc.ca.gov/hazardouswaste/perchlorate”

