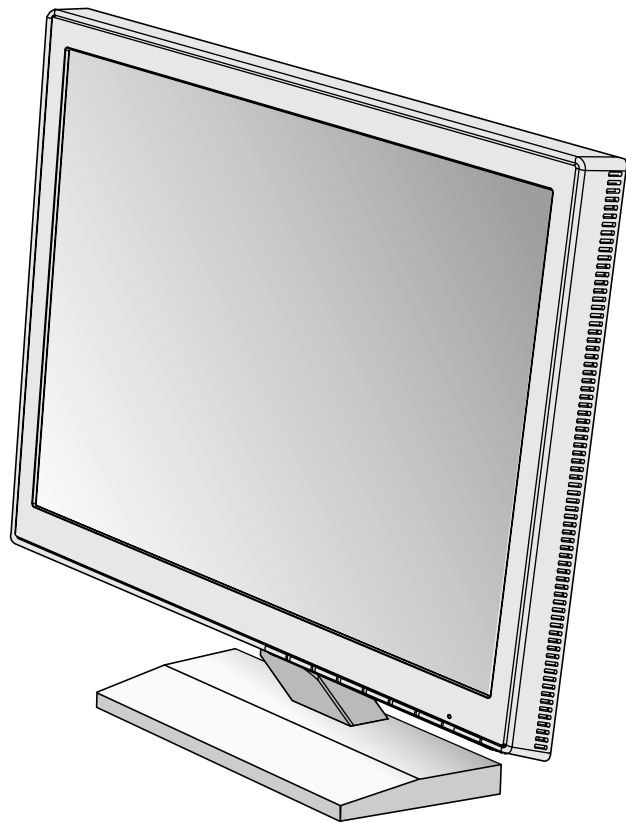


sgi

Silicon Graphics®

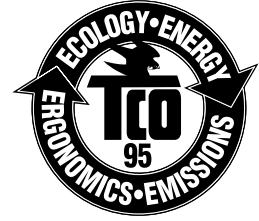
F181 Flat Panel Display

User Guide



TCO'95

Congratulations! You have just purchased a TCO'95 approved and labeled product! Your choice has provided you with a product developed for professional use. Your purchase has also contributed to reducing the burden on the environment and also, to the further development of environmentally adapted electronics products.



Why do we have environmentally labelled computers?

In many countries, environmental labelling has become an established method for encouraging the adaptation of goods and services to the environment. The main problem, as far as computers and other electronics equipment are concerned, is that environmentally harmful substances are used both in the products and during the manufacturing. Since it has not been possible for the majority of electronics equipment to be recycled in a satisfactory way, most of these potentially damaging substances sooner or later enter Nature.

There are also other characteristics of a computer, such as energy consumption levels, that are important from the viewpoints of both the work (Internal) and natural (external) environments. Since all methods of conventional electricity generation have a negative effect on the environment (acidic and climate-influencing emissions, radioactive waste, etc.), it is vital to conserve energy. Electronics equipment in offices consume an enormous amount of energy since they are often left running continuously.

What does labelling involve?

This product meets the requirements for the TCO'95 scheme which provides for international and environmental labelling of personal computers. The labelling scheme was developed as a joint effort by the TCO (The Swedish Confederation of Professional Employees), Naturskyddsforeningen (The Swedish Society for Nature Conservation) and NUTEK (The National Board for Industrial and Technical Development in Sweden).

The requirements cover a wide range of issues: environment, ergonomics, usability, emission of electrical and magnetic fields, energy consumption and electrical and fire safety.

The environmental demands concern restrictions on the presence and use of heavy metals, brominated and chlorinated flame retardants, CFCs (freons) and chlorinated solvents, among other things. The product must be prepared for recycling and the manufacturer is obliged to have an environmental plan which must be adhered to in each country where the company implements its operational policy. The energy requirements include a demand that the computer and/or display, after a certain period of inactivity, shall reduce its power consumption to a lower level in one or more stages. The length of time to reactivate the computer shall be reasonable for the user.

Labelled products must meet strict environmental demands, for example, in respect of the reduction of electric and magnetic fields, physical and visual ergonomics and good usability.

TCO'95 is a co-operative project between TCO (The Swedish Confederation of Professional Employees), Naturskyddsforeningen (The Swedish Society for Nature Conservation) and NUTEK (The National Board for Industrial and Technical Development in Sweden).

Environmental Requirements

Brominated flame retardants

Brominated flame retardants are present in printed circuit boards, cables, wires, casings and housings. In turn, they delay the spread of fire. Up to thirty percent of the plastic in a computer casing can consist of flame retardant substances. These are related to another group of environmental toxins, PCBs, which are suspected to give rise to similar harm, including reproductive damage in fish-eating birds and mammals, due to the bio-accumulative* processes. Flame retardants have been found in human blood and researchers fear that disturbances in foetus development may occur.

TCO'95 demand requires that plastic components weighing more than 25 grams must not contain organically bound chlorine and bromine.

Lead**

Lead can be found in picture tubes, display screens, solders and capacitors. Lead damages the nervous system and in higher doses, causes lead poisoning.

TCO'95 requirement permits the inclusion of lead since no replacement has yet been developed.

Cadmium**

Cadmium is present in rechargeable batteries and in the colour-generating layers of certain computer displays. Cadmium damages the nervous system and is toxic in high doses.

TCO'95 requirement states that batteries may not contain more than 25 ppm (parts per million) of cadmium. The colour-generating layers of display screens must not contain any cadmium.

TCO'95 - Continued

Mercury**

Mercury is sometimes found in batteries, relays, switches, and back-light systems, Mercury damages the nervous system and is toxic in high doses.

TCO'95 requirement states that batteries may not contain more than 25 ppm (parts per million) of mercury. It also demands that no mercury is present in any of the electrical or electronics components concerned with the display unit, except the back-light system.

CFCs (freons)

CFCs (freons) are sometimes used for washing printed circuit boards and in the manufacturing of expanded foam for packaging. CFCs break down ozone and thereby damage the ozone layer in the stratosphere, causing increased reception on Earth of ultraviolet light with consequent increased risks of skin cancer (malignant melanoma).

The relevant TCO'95 requirement; Neither CFCs nor HCFCs may be used during the manufacturing of the product or its packaging.

*Bio-accumulative is defined as substances which accumulate within living organisms.

**Lead, Cadmium and Mercury are heavy metals which are Bio-accumulative.

To obtain complete information on the environmental criteria document, order from:

TCO Development Unit
SE-114 94 Stockholm
SWEDEN
FAX Number: +46 8 782 92 07
E-mail (Internet): development@tco.se

You may also obtain current information on TCO'95 approved and labelled products by visiting their website at:

<http://www.tcodevelopment.com/>

Index

Safety Instruction	English-1
Warning	English-1
Caution	English-1
Contents	English-2
Quick Start	English-3
Controls	English-4
Recommended use	English-7
Specifications	English-9
Features	English-10
Monitor Troubleshooting	English-11

Declaration of the Manufacturer

We hereby certify that the flat panel
display F181 (L182R4) is
in compliance with
Council Directive 73/23/EEC:
– EN 60950

Council Directive 89/336/EEC:
– EN 55022
– EN 61000-3-2
– EN 61000-3-3
– EN 55024

and marked with



Silicon Graphics, Inc.
1600 Amphitheatre Pkwy,
Mountain View, Ca 94043,
U.S.A.

Safety Instruction



WARNING



TO PREVENT FIRE OR SHOCK HAZARDS, DO NOT EXPOSE THIS UNIT TO RAIN OR MOISTURE. ALSO, DO NOT USE THIS UNIT'S POLARIZED PLUG WITH AN EXTENSION CORD RECEPTACLE OR OTHER OUTLETS UNLESS THE PRONGS CAN BE FULLY INSERTED.

REFRAIN FROM OPENING THE CABINET AS THERE ARE HIGH VOLTAGE COMPONENTS INSIDE. REFER SERVICING TO QUALIFIED SERVICE PERSONNEL.



CAUTION

RISK OF ELECTRIC SHOCK • DO NOT OPEN



CAUTION: TO REDUCE THE RISK OF ELECTRIC SHOCK, DO NOT REMOVE COVER (OR BACK). NO USER SERVICEABLE PARTS INSIDE. REFER SERVICING TO QUALIFIED SERVICE PERSONNEL.



This symbol warns user that uninsulated voltage within the unit may have sufficient magnitude to cause electric shock. Therefore, it is dangerous to make any kind of contact with any part inside this unit.



This symbol alerts the user that important literature concerning the operation and maintenance of this unit has been included. Therefore, it should be read carefully in order to avoid any problems.

Canadian Department of Communications Compliance Statement

DOC: This Class B digital apparatus meets all requirements of the Canadian Interference-Causing Equipment Regulations.

C-UL: Bears the C-UL Mark and is in compliance with Canadian Safety Regulations according to CSA C22.2 No.60950.

FCC Information

- Use the attached specified cables with the color display so as not to interfere with radio and television reception.
 - Please use the supplied power cable or equivalent to ensure FCC compliance.
 - Shielded video type signal cable.

Use of other cables and adapters may cause interference with radio and television reception.
- This equipment has been tested and found to comply with the limits for a Class B digital device, pursuant to part 15 of the FCC Rules. These limits are designed to provide reasonable protection against harmful interference in a residential installation. This equipment generates, uses, and can radiate radio frequency energy, and, if not installed and used in accordance with the instructions, may cause harmful interference to radio communications. However, there is no guarantee that interference will not occur in a particular installation. If this equipment does cause harmful interference to radio or television reception, which can be determined by turning the equipment off and on, the user is encouraged to try to correct the interference by one or more of the following measures:
 - Reorient or relocate the receiving antenna.
 - Increase the separation between the equipment and receiver.
 - Connect the equipment into an outlet on a circuit different from that to which the receiver is connected.
 - Consult your dealer or an experienced radio/TV technician for help.

If necessary, the user should contact the dealer or an experienced radio/television technician for additional suggestions. The user may find the following booklet, prepared by the Federal Communications Commission, helpful: "How to Identify and Resolve Radio-TV Interference Problems." This booklet is available from the U.S. Government Printing Office, Washington, D.C., 20402, Stock No. 004-000-00345-4.

No user serviceable parts inside. Do not attempt to modify this equipment. If modified, your authority to operate this equipment might be voided by FCC.

ENERGY STAR® is a U.S. registered trademark. All other brands and product names are trademarks or registered trademarks of their respective owners.

As an **ENERGY STAR** Partner, Silicon Graphics, Inc. has determined that this product meets the **ENERGY STAR** guidelines for energy efficiency.

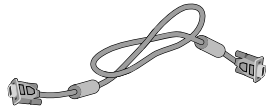
The **ENERGY STAR** emblem does not represent EPA endorsement of any product or service.

All other trademarks mentioned in this manual are the property of their respective owners.

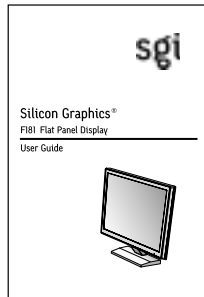
Contents

Your new Silicon Graphics F181 Flat Panel Display box* should contain the following:

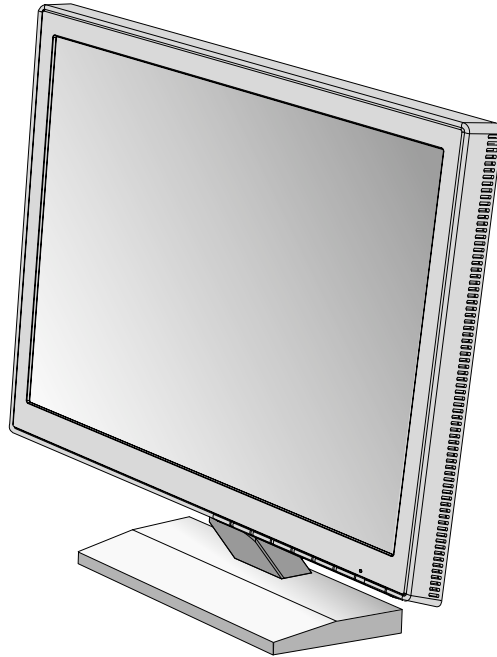
- Display with tilt base
- User's Manual
- Video Signal Cable (DVI-D to DVI-D)



Video Signal Cable
(DVI-D to DVI-D)



User's Manual



* Remember to save your original box and packing material to transport or ship the display.

Quick Start

To attach the F181 Display to your system, follow these instructions:

1. Turn off the power to your computer.
2. For Workstations with DVI digital output: Connect the DVI signal cable (included) to the connector of the graphics card in your system (**Figure A**). Tighten all screws.
For Workstations with Analog output: Connect the 15-pin mini D-SUB signal cable (supplied with the Workstation) to the connector of the graphics card in your system (**Figure B**). Tighten all screws.
3. Remove the cable cover. Connect either or the 15-pin mini D-SUB of the video signal cable and DVI signal cable to the appropriate connector on the back of the display (**Figure C**).
4. Connect one end of the power cord to the F181 Display and the other end to the power outlet. Place the Video Signal Cable and power cord under Cable cover (**Figure C**). Replace cable cover.

Note: Adjust position of cable that place under cable cover, to avoid damage for cable or display.

5. The vacation switch on the left side of the display must be turned on (**Figure D**). Turn on the display with the front power button and the computer.

Note: The vacation switch is a true on/off switch. If this switch is on the OFF position, the display cannot be turned on using the front button.

6. Analog input only: No-Touch Auto Adjust automatically adjusts the display to optimal settings upon initial setup for most timings. For further adjustments, use the following OSD controls:

- Auto Adjust Contrast
- Auto Adjust

Refer to the Controls section of this User's Manual for a full description of these OSD controls.

Note: If you have any problems, please refer to the **Troubleshooting** section of this User's Manual.

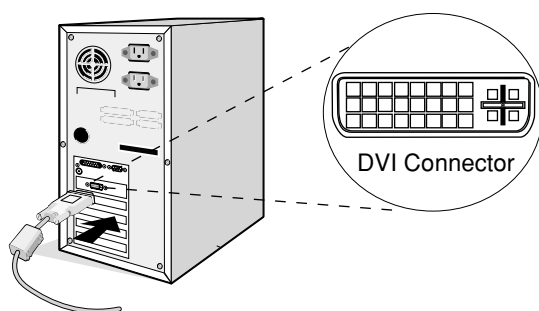


Figure A

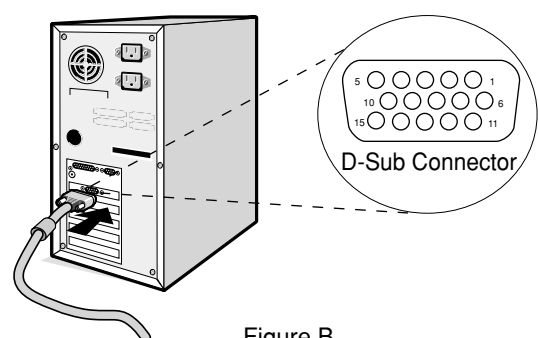


Figure B

Quick Start - Continued

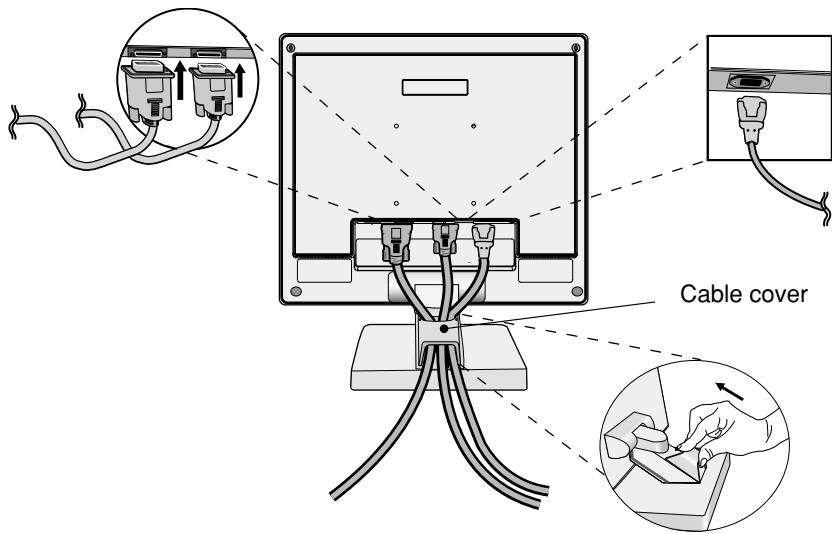


Figure C

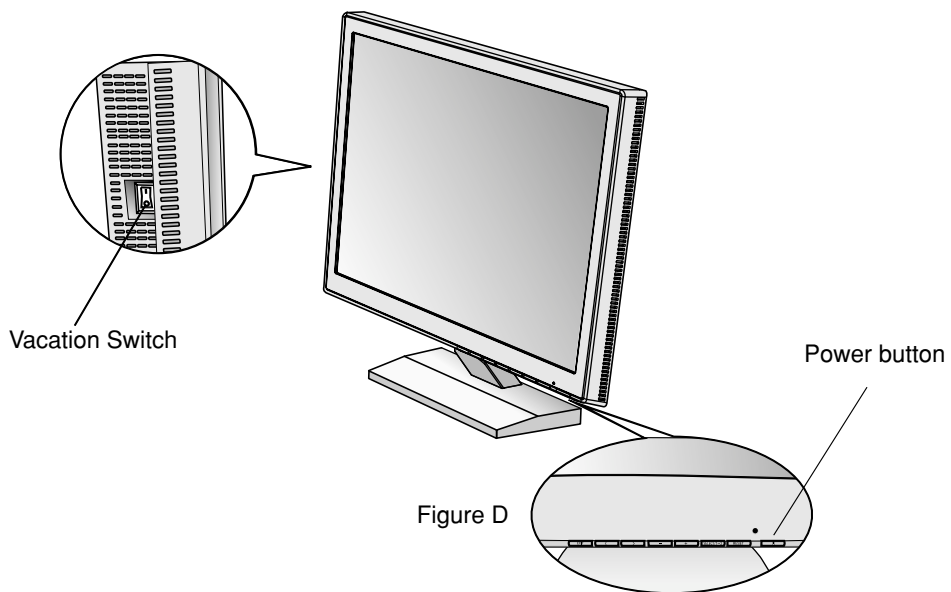


Figure D

Quick Start - Continued

Tilt and swivel

Grasp both sides of the display screen with your hands and adjust the tilt and swivel as desired (**Figure E**).

Monitor stand (Optional)

The F181 can be fitted with an adjustable or wall mount type stand. Prior to attaching these optional stands the original Tilt/Swivel stand must be removed.

Remove Display Stand for Mounting

To prepare the monitor for alternate mounting purposes:

1. Disconnect all cables.
2. Place monitor face down on a non-abrasive surface (**Figure F**).
3. Remove the hinge cover (**Figure F**).
4. Remove the 4 screws connecting the display to the stand and lift off the stand assembly (**Figure G**).

The display is now ready for mounting in an alternate manner.

5. Connect the AC cord and signal cable to the back of the display (**Figure H**).
6. Reverse this process to reattach stand.

Note: Use only VESA-compatible alternative mounting method.

Note: Handle with care when removing display stand.

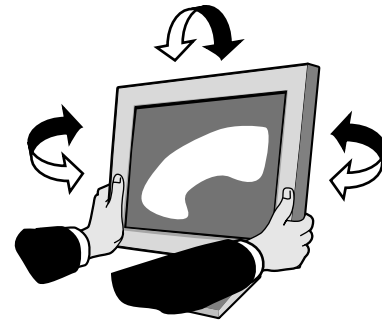


Figure E

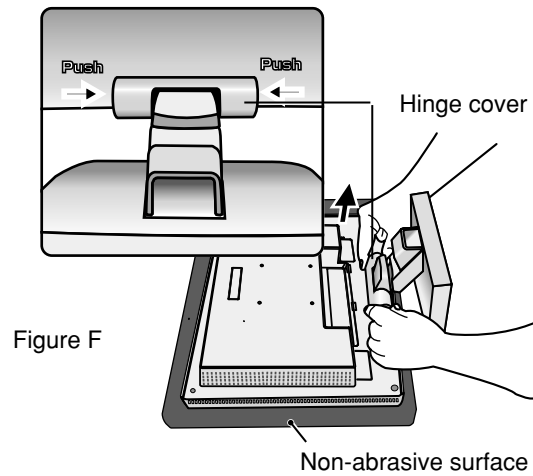


Figure F

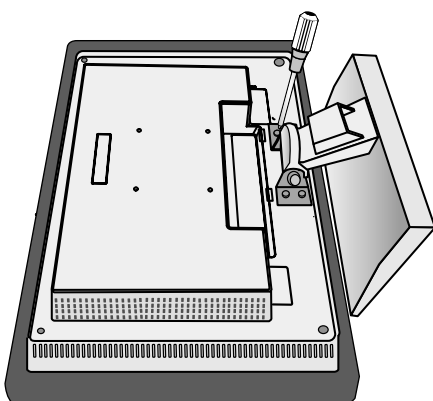


Figure G

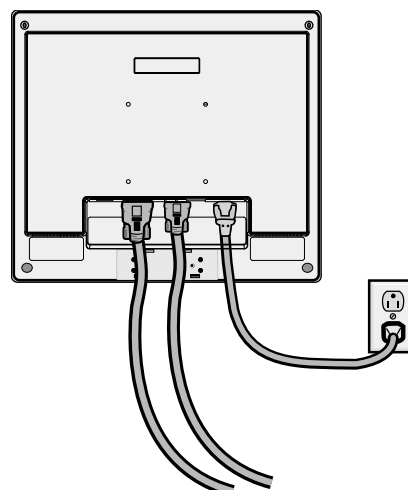


Figure H

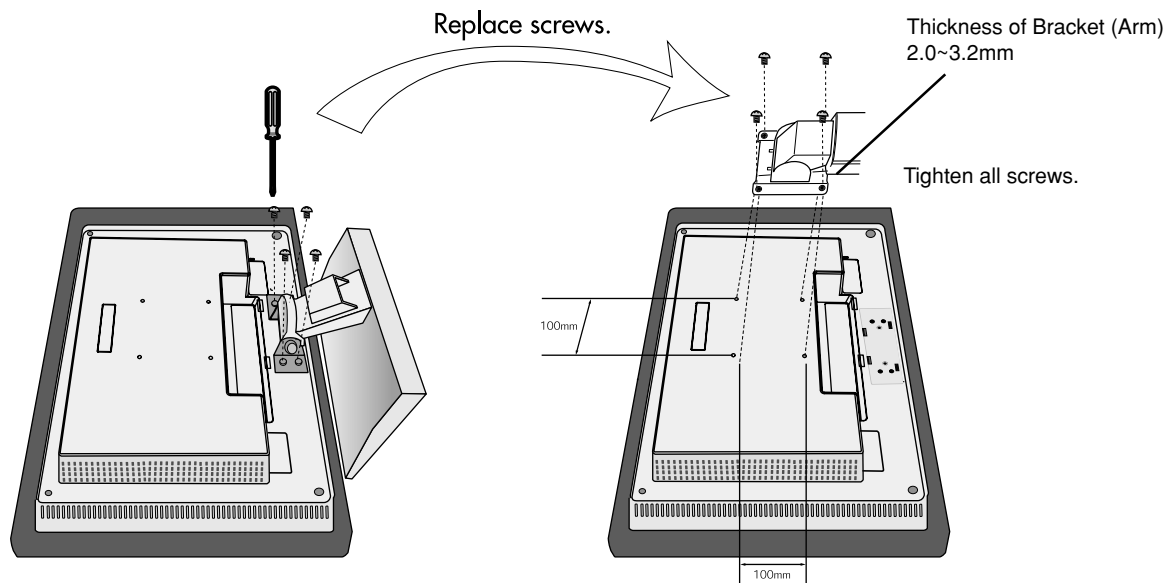
Quick Start - Continued

This LCD display is designed for use with a flexible arm.

Please use the attached screws (4pcs) as shown in the picture when installing.

To meet the safety requirements, the display must be mounted to an arm which guarantees the necessary stability under consideration of the weight of the display.

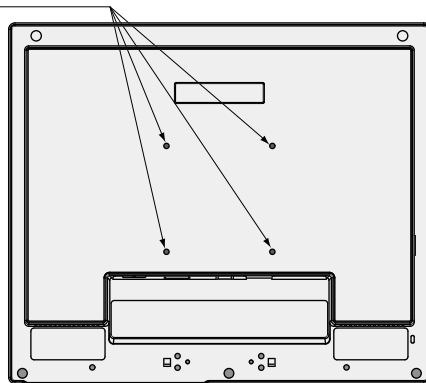
The LCD display shall only be used with an approved arm (e.g. GS mark).



Specifications

4-SCREWS(M4)
(MAX depth: 10mm)

If using other screws, check depth of holes.



Weight of LCD assembly: 6.2kg (MAX)

Controls

OSD (On-Screen Display) control buttons on the front of the display function as follows:

To access OSD menu, press any of the control buttons (EXIT, ◀, ▶, -, +).
To change signal input, press the SELECT button.

NOTE: OSD must be closed in order to change signal input.

	Menu
EXIT	Exits the OSD controls. Exits to the OSD main menu.
◀/▶	Moves the highlighted area left/right to select control menus. Moves the highlighted area up/down to select one of the controls.
-/+	Moves the bar left/right to increase or decrease the adjustment.
SELECT/1◀▶2	Active Auto Adjust function. Enter the OSD controls. Enter the OSD sub menu.
RESET	Resets the highlighted control menu to the factory setting.

NOTE: When **RESET** is pressed in the main and sub-menu, a warning window will appear allowing you to cancel the **RESET** function by pressing the EXIT button.

Brightness/Contrast Controls



BRIGHTNESS

Adjusts the overall image and background screen brightness.



CONTRAST

Adjusts the image brightness in relation to the background.



CONTRAST AUTO (Analog input only)

Adjusts the image displayed for non-standard video inputs.



AUTO BRIGHTNESS

This function adjusts the brightness automatically for the best CONTRAST and BRIGHTNESS setting based on the white display area.



Auto Adjust (Analog input only)

Automatically adjusts the Image Position and H. Size settings and Fine settings.



Position Controls



LEFT / RIGHT (Analog input only)

Controls Horizontal Image Position within the display area of the LCD.



DOWN / UP (Analog input only)

Controls Vertical Image Position within the display area of the LCD.



H.SIZE (Analog input only)

Adjusts the horizontal size by increasing or decreasing this setting.

Should the "AUTO Adjust function" do not give you a satisfactory picture setting, a further tuning can be performed using the "H.Size" function (dot clock). For this a Moiré test pattern could be used. This function may alter the width of the picture. Use left/Right Menu to center the image on the screen. If the H.Size is wrongly calibrated, the result would look like on the left drawing. The image should be homogeneous.



Controls - Continued

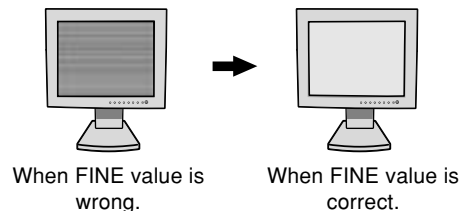


FINE (Analog input only)

Improves focus, clarity and image stability by increasing or decreasing this setting.

If the “Auto Adjust function” and the “H.Size” function do not give you a satisfactory picture setting, a fine tuning can be performed manually using the “Fine” function. It improves focus, clarity and image stability by increasing or decreasing this setting.

For this a Moiré test pattern could be used. If the Fine value is wrongly calibrated, the result would look like on the left drawing. The image should be homogeneous.



Color Control Systems

Color Control Systems: Six color presets select the desired color setting (sRGB and NATIVE color presets are standard and cannot be changed). Color temperature increases or decreases, in each preset.

R,Y,G,C,B,M,S: Increases or decreases Red, Yellow, Green, Cyan, Blue, Magenta and Saturation depending upon which is selected. The change in color will appear on screen and the direction (increase or decrease) will be shown by the color bars.

NATIVE: Original color presented by the LCD panel that is unadjustable.



Tools 1



SHARPNESS: This function is digitally capable to keep crisp image at any timings. It is continuously adjustable to get distinct image or soft one as you prefer, and set independently by different timings.



EXPANSION MODE: Sets the zoom method.

FULL: The image is expanded to 1280 x 1024, regardless of the resolution.

ASPECT: The image is expanded without changing the aspect ratio.

OFF: The image is not expanded.

CUSTOM: Select one of the expansion rates from 1.0 to 3.0 times individually at horizontal and vertical. This mode is for use with special video cards.



RESOLUTION NOTIFIER: This optimal resolution is 1280 x 1024. If ON is selected, a message will appear on the screen after 30 seconds, notifying you that the resolution is not at 1280 x 1024.



VIDEO DETECT: Selects the method of video detection when more than one computer is connected.

FIRST DETECT: The video input has to be switched to “FIRST DETECT” mode. When current video input signal is not present, then the display searches for a video signal from the other video input port. If the video signal is present in the other port, then the display switches the video source input port to the new found video source automatically. The display will not look for other video signals while the current video source is present.

LAST DETECT: The video input has to be switched to the “LAST DETECT” mode. When the display is displaying a signal from the current source and a new secondary source is supplied to the display, then the display will automatically switch to the new video source. When current video input signal is not present, then the display searches for a video signal from the other video input port. If the video signal is present in the other port, then the display switches the video source input port to the new found video source automatically.

NONE: The Display will not search the other video input port unless the display is turned on.



Tools 2



LANGUAGE: OSD control menus are available in seven languages.



OSD POSITION: You can choose where you would like the OSD control image to appear on your screen. Selecting OSD Location allows you to manually adjust the position of the OSD control menu left, right, down or up.



OSD TURN OFF: The OSD control menu will stay on as long as it is use. In the OSD Turn Off submenu, you can select how long the display waits after the last touch of a button to shut off the OSD control menu. The preset choices are 10, 20, 30, 45, 60 and 120 seconds.

Controls - Continued



OSD LOCK OUT: This control completely locks out access to all OSD control functions except for BRIGHTNESS and CONTRAST adjustments. When attempting to activate OSD controls while in the Lock Out mode, a screen will appear indicating the OSD controls are locked out. To activate the OSD Lock Out function, press SELECT, then “+” key and hold down simultaneously. To de-activate the OSD Lock Out, press SELECT, then “+” key and hold down simultaneously.



HOT KEY: You can adjust the brightness and contrast directly. When this function is set to ON, you can adjust the brightness with ◀ or ▶, contrast with + or - key, while the OSD menu is off.



FACTORY PRESET: Selecting Factory Preset allows you to reset all OSD control settings back to the factory settings. The RESET button will need to be held down for several seconds to take effect. Individual settings can be reset by highlighting the control to be reset and pressing the RESET button.



Information



DISPLAY MODE: Provides information about the current resolution display and technical data including the preset timing being used and the horizontal and vertical frequencies. Increases or decreases the current resolution.



MONITOR INFO.: Indicates the model and serial numbers of your display.

OSD Warning

OSD Warning menus disappear with Exit button.

NO SIGNAL: This function gives a warning when there is no Horizontal or Vertical Sync. After power is turned on or when there is a change of input signal, the **No Signal** window will appear.

RESOLUTION NOTIFIER: This function gives a warning of use with optimized resolution. After power is turned on or when there is a change of input signal or the video signal doesn't have proper resolution, the **Resolution Notifier** window will open. This function can be disabled in the TOOL menu.

OUT OF RANGE: This function gives a recommendation of the optimized resolution and refresh rate. After the power is turned on or there is a change of input signal or the video signal doesn't have proper timing, the **Out Of Range** menu will appear.

Recommended use

Safety Precautions and Maintenance



FOR OPTIMUM PERFORMANCE, PLEASE NOTE
THE FOLLOWING WHEN SETTING UP AND
USING THE LCD COLOR DISPLAY:



- **DO NOT OPEN THE DISPLAY.** There are no user serviceable parts inside and opening or removing covers may expose you to dangerous shock hazards or other risks. Refer all servicing to qualified service personnel.
- Do not spill any liquids into the cabinet or use your display near water.
- Do not insert objects of any kind into the cabinet slots, as they may touch dangerous voltage points, which can be harmful or fatal or may cause electric shock, fire or equipment failure.
- Do not place any heavy objects on the power cord. Damage to the cord may cause shock or fire.
- Do not place this product on a sloping or unstable cart, stand or table, as the display may fall, causing serious damage to the display.
- Do not place any objects onto the display and do not use the display outdoors.
- The inside of the fluorescent tube located within the LCD display contains mercury. Please follow the bylaws or rules of your municipality to dispose of the tube properly.

Immediately unplug your display from the wall outlet and refer servicing to qualified service personnel under the following conditions:

- When the power supply cord or plug is damaged.
- If liquid has been spilled, or objects have fallen into the display.
- If the display has been exposed to rain or water.
- If the display has been dropped or the cabinet damaged.
- If the display does not operate normally by following operating instructions.
- Do not bend power cord.
- Do not use display in high temperature, humid, dusty, or oily areas.
- Do not cover vent on display.
- If display is broken, do not come in contact with the liquid crystal.
- If glass is broken. Handle with care.



CAUTION

- Allow adequate ventilation around the display so that heat can properly dissipate. Do not block ventilated openings or place the display near a radiator or other heat sources. Do not put anything on top of display.
 - The power cable connector is the primary means of detaching the system from the power supply. The display should be installed close to a power outlet which is easily accessible.
 - Handle with care when transporting. Save packaging for transporting.
- **Image Persistence:** Image persistence is when a residual or “ghost” image of a previous image remains visible on the screen. Unlike CRT monitors, LCD monitor’s image persistence is not permanent, but constant images being displayed for a long period of time should be avoided.

To alleviate image persistence, turn off the monitor for as long as the previous image was displayed. For example, if an image was on the monitor for one hour and a residual image remains, the monitor should be turned off for one hour to erase the image.

NOTE: As with all personal display devices, Silicon Graphics recommends using a moving screen saver at regular intervals whenever the screen is idle or turning off the monitor when not in use.



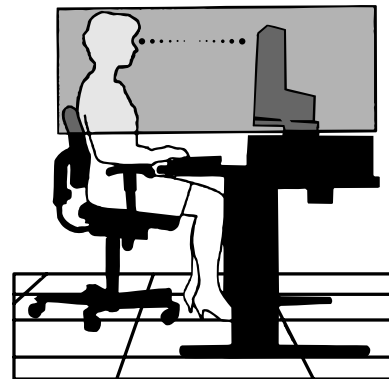
CORRECT PLACEMENT AND ADJUSTMENT OF THE DISPLAY CAN
REDUCE EYE, SHOULDER AND NECK FATIGUE. CHECK THE
FOLLOWING WHEN YOU POSITION THE DISPLAY:



- For optimum performance, allow 20 minutes for warm-up.
- Adjust the display height so that the top of the screen is at or slightly below eye level. Your eyes should look slightly downward when viewing the middle of the screen.
- Position your display no closer than 40 cm and no further away than 70 cm from your eyes. The optimal distance is 53 cm.
- Rest your eyes periodically by focusing on an object at least 6 m away. Blink often.

Recommended use - Continued

- Position the display at a 90° angle to windows and other light sources to minimize glare and reflections. Adjust the display tilt so that ceiling lights do not reflect on your screen.
- If reflected light makes it hard for you to see your screen, use an antiglare filter.
- Clean the LCD display surface with a lint-free, non-abrasive cloth. Avoid using any cleaning solution or glass cleaner!
- Adjust the display's brightness and contrast controls to enhance readability.
- Use a document holder placed close to the screen.
- Position whatever you are looking at most of the time (the screen or reference material) directly in front of you to minimize turning your head while you are typing.
- Avoid displaying fixed patterns on the display for long periods of time to avoid image persistence (after-image effects).
- Get regular eye checkups.



Ergonomics

To realize the maximum ergonomics benefits, we recommend the following:

- Use the preset Size and Position controls with standard signals.
- Use the preset Colour Setting.
- Use non-interlaced signals with a vertical refresh rate between 60-75 Hz.
- Do not use primary colour blue on a dark background, as it is difficult to see and may produce eye fatigue to insufficient contrast.

Specifications

Monitor Specifications	F181 Flat Panel Display	Notes
LCD Module Viewable Image Size : Native Resolution (Pixel Count):	Diagonal : 46cm/18.1 inches 46cm/18.1 inches 1280 x 1024	Active matrix; thin film transistor (TFT) liquid crystal display (LCD); 0.28 mm dot pitch; 200cd/m ² white luminance; 350:1 contrast ratio, typical.
Input Signal	Video : ANALOG 0.7 Vp-p/75 Ohms Sync : Separate sync. TTL Level Horizontal sync. Positive/Negative Vertical sync. Positive/Negative Composite sync. Positive/Negative Sync on Green (Video 0.7Vp-p and Sync Negative 0.3Vp-p)	Digital Input: DVI
Display Colors	Analog input : 16,777,216	Depends on display card used.
Synchronization Range	Horizontal: 31.0 kHz to 82 kHz Vertical: 55 Hz to 85 Hz	Automatically Automatically
Image Formation Time	30 ms (Typ.)	
Resolutions Supported	720 x 400*1 :VGA text 640 x 480*1 at @ 60 Hz to 85 Hz 800 x 600*1 at @ 56 Hz to 85 Hz 832 x 624*1 at @ 75 Hz 1024 x 768 at @ 60 Hz to 85 Hz 1152 x 870 at @ 75 Hz 1280 x 1024 at @ 60 Hz (Analog) 1280 x 1024 at @ 60 Hz (Digital)	Some systems may not support all modes listed.
Active Display Area	Horiz.: 359 mm/14.1 inches Vert.: 287 mm/11.3 inches	
Power Supply	AC100-120 V/220-240 V @ 50/60Hz	
Current Rating	0.8 A@100-120 V, 0.4A @ 220-240 V	
Dimensions	398 mm (W) x 402.8 mm (H) x 200 mm (D) 15.7 inches (W) x 15.9 inches (H) x 7.9 inches (D) Without stand: 398 mm (W) x 342.5 mm (H) x 73.5 mm (D) 15.7 inches (W) x 13.5 inches (H) x 2.9 inches (D)	
Weight	7.3 kg (16.1 lbs) Without tilt stand: 6.2 kg (13.7 lbs)	
Environmental Considerations	Operating Temperature : 5°C to 35°C/41°F to 95°F Humidity : 30% to 80% Feet : 0 to 3,000 m/0 to 9,800 Feet Storage Temperature : -10°C to 60°C/14°F to 140°F Humidity : 10% to 85% Feet : 0 to 10,000 m/0 to 32,800 Feet	
Regulations	Safety: UL60950 (UL), CSA C22.2 No.60950 (c-UL), EN60950 (TÜV-GS) CCC EMC: FCC Class-B, DOC Class-B, EN55022 Class-B, VCCI Class-B, EN61000-3-2, EN61000-3-3, EN55024 CCC, MIC, BSMI, C-Tick Other: CE-Marking, MPR-II/TCO'91 ISO13406-2 TCO'95 International ENERGY STAR Program	

*1 Interpolated Resolutions: When resolutions are shown that are lower than the pixel count of the LCD module, text may appear different. This is normal and necessary for all current flat panel technologies when displaying non-native resolutions full screen. In flat panel technologies, each dot on the screen is actually one pixel, so to expand resolutions to full screen, an interpolation of the resolution must be done.

NOTE: Technical specifications are subject to change without notice.

Features

Reduced Footprint: Provides the ideal solution for environments requiring superior image quality but with size and weight limitations. The display's small footprint and low weight allow it to be moved or transported easily from one location to another.

Color Control Systems: Six color presets select the desired color setting (sRGB and NATIVE color presets are standard and cannot be changed). Color temperature increases or decreases, in each preset.

R,Y,G,C,B,M,S: Increases or decreases Red, Yellow, Green, Cyan, Blue, Magenta and Saturation depending upon which is selected. The change in color will appear on screen and the direction (increase or decrease) will be shown by the color bars.

OSD (On-Screen Display) Controls: Allow you to quickly and easily adjust all elements of your screen image via simple to use on-screen menus.

No-Touch Auto Adjust (Analog input only): No-Touch Auto Adjust automatically adjust the monitor to optimal settings upon initial setup.

ErgoDesign Features: Enhance human ergonomics to improve the working environment, protect the health of the user and save money. Examples include OSD controls for quick and easy image adjustments, tilt base for preferred angle of vision, small footprint and compliance with MPRII and TCO guidelines for lower emissions.

Plug and Play: The Microsoft® solution with the Windows®95/98/Me/2000/XP operating system facilitates setup and installation by allowing the display to send its capabilities (such as screen size and resolutions supported) directly to your computer, automatically optimizing display performance.

IPM (Intelligent Power Manager) System: Provides innovative power-saving methods that allow the display to shift to a lower power consumption level when on but not in use, saving two-thirds of your display energy costs, reducing emissions and lowering the air conditioning costs of the workplace.

Multiple Frequency Technology: Automatically adjusts display to the display card's scanning frequency, thus displaying the resolution required.

FullScan Capability: Allows you to use the entire screen area in most resolutions, significantly expanding image size.

VESA Standard Mounting Interface: Allows users to connect the SGI display to any VESA standard third party mounting arm or bracket. Allows for the display to be mounted on a wall or an arm using any third party compliant device.

Troubleshooting

No picture

- The signal cable should be completely connected to the display card/computer.
- The display card should be completely seated in its slot.
- Check the Vacation Switch should be in the ON position.
- Front Power Switch and computer power switch should be in the ON position.
- Check to make sure that a supported mode has been selected on the display card or system being used. (Please consult display card or system manual to change graphics mode.)
- Check the monitor and your display card with respect to compatibility and recommended settings.
- Check the signal cable connector for bent or pushed-in pins.
- Check the signal input, "INPUT 1" or "INPUT 2".

Power Button does not respond

- Unplug the power cord of the display from the AC outlet to turn off and reset the display, or simultaneously press the RESET and Power buttons.
- Check the Vacation Switch on the left side of the display.

Image persistence

- Image persistence is when a "ghost" image of an image remains on the screen even after the display has been turned off. Unlike CRT monitors, LCD display's image persistence is not permanent. To alleviate image persistence, turn the monitor off for as long as an image was displayed. If an image was on the display for one hour and a "ghost" of that image remains, the display should be turned off for one hour to erase the image.

NOTE: As with all personal display devices, it is recommended to use a moving screen saver at regular intervals whenever the screen is idle or turning off the monitor when not in use.

Message "OUT OF RANGE" is displayed (screen is either blank or shows rough images only)

- Image is displayed only roughly (pixels are missing) and OSD warning "OUT OF RANGE" is displayed: Either signal clock or resolution is too high. Choose one of the supported modes.
- OSD warning "OUT OF RANGE" is displayed on a blank screen: Signal frequency is out of range. Choose one of the supported modes.

Image is unstable, unfocused or swimming is apparent

- Signal cable should be completely attached to the computer.
- Use the OSD Image Adjust controls to focus and adjust display by increasing or decreasing the fine total. When the display mode is changed, the OSD Image Adjust settings may need to be re-adjusted.
- Check the display and your display card with respect to compatibility and recommended signal timings.
- If your text is garbled, change the video mode to non-interlace and use 60Hz refresh rate.

LED on display is not lit (*no green or amber color can be seen*)

- Power Switch should be in the ON position and power cord should be connected.

Display image is not sized properly

- Use the OSD Image Adjust controls to increase or decrease the Coarse total.
- Check to make sure that a supported mode has been selected on the display card or system being used. (Please consult display card or system manual to change graphics mode.)

No Video

- If no video is present on the screen, turn the Power button off and on again.
- Make certain the computer is not in a power-saving mode (touch the keyboard or mouse).

sgl

860-0358-001