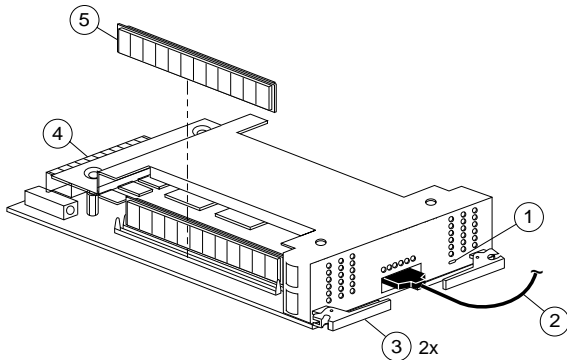


Installing HSZ70 SIMMs

The HSZ70 cache module may contain 64MB (2 x 32MB) or 128MB (4 x 32MB) of memory installed in the configurations shown in Figure 3. Follow these instructions to add or replace SIMMs in a single or dual-redundant configuration.

Figure 1. HSZ70 Cache Module



- 1 Cache-memory power LED
- 2 External cache battery (ECB) cable
- 3 Retaining lever
- 4 Backplane connector
- 5 SIMM

VHDCI Cable Precautions

All of the cables to the controller, cache module, and ECB use very-high density cable interconnect connectors (VHDCI). These connectors have extraordinarily small mating surfaces that can be adversely affected by dust and movement. Follow these precautions when you're connecting VHDCI cables:

- Clean the mating surfaces with a blast of clean air.
- Mate the connectors by hand, then tighten the retaining screws to 1.5 inch-pounds—approximately 1/4 additional turn after the connectors have fully mated.
- Test the assembly by gently pulling on the cable, which should not produce visible separation.

Dual-Redundant Configurations

To remove the cache module...

1. From a host console, dismount the storage units in the subsystem.
2. Connect a local terminal to one of the controllers in the subsystem. The controller to which you're connected is "this controller."

3. Shut down both controllers in the following order with these commands:

SHUTDOWN OTHER_CONTROLLER

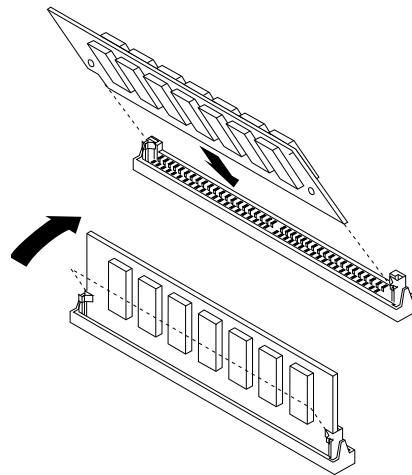
SHUTDOWN THIS_CONTROLLER

When the controllers shut down, their reset buttons and their first three LEDs are lit continuously.

4. Turn off the power to the subsystem.
5. Disconnect the ECB cables from both cache modules.
6. Disable both ECBs by pressing their shut off buttons until their status lights stop blinking—about 2 seconds.
7. Disengage the two retaining levers on each cache module and remove both cache modules.

To install the SIMMs...

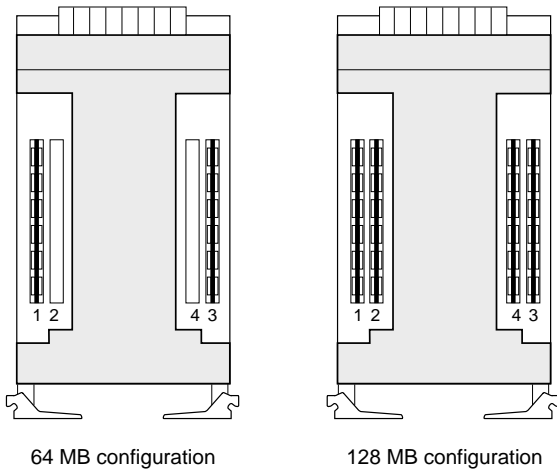
Figure 2. Inserting a SIMM into Its Slot



Install the SIMMs as shown in Figure 2. Insert each SIMM into its socket at a 45 degree angle; rock the SIMM gently until it's seated in its socket; then tip the SIMM upright until both retaining clips engage the SIMM.

CAUTION: Both cache modules must contain the same amount of memory. Populate sockets 1 and 3 for 64MB of memory, or all of the sockets for 128MB of memory, as shown in Figure 3.

Figure 3. SIMM Configurations



Single Configurations

To remove the cache module...

1. From a host console, dismount the storage units in the subsystem.
2. Connect a local terminal to the controller.
3. Shut down the controller with the following command:
SHUTDOWN THIS_CONTROLLER
When the controller shuts down, its reset button and the first three LEDs are lit continuously.
4. Turn off the power to the subsystem.
5. Disconnect the ECB cable from the cache module.
6. Disable the ECB by pressing its shut off button until the status light stops blinking—about 2 seconds.
7. Disengage the two retaining levers and remove the cache module.

To install the SIMMs...

Install the SIMMs as shown in Figure 2. Insert each SIMM into its socket at a 45 degree angle; rock the SIMM gently until it's seated in its socket; then tip the SIMM upright until both retaining clips engage the SIMM.

Populate sockets 1 and 3 for 64MB of memory, or all of the sockets for 128MB of memory, as shown in Figure 3.

To re-install the cache module...

1. Insert the cache module into its slot and engage its retaining levers.
2. Connect the ECB cable to the cache module by following the VHDCI cable precautions.
3. Restore power to the subsystem. The controller automatically restarts and the ECB automatically re-enables itself to provide backup power to the cache module.
4. Mount the storage units on the host.

To re-install the cache modules...

1. Insert each cache module into its slot and engage its retaining levers.
2. Connect the ECB cables to the cache modules by following the VHDCI cable precautions.
3. Restore power to the subsystem. The controllers automatically restart and the ECBs automatically re-enable themselves to provide backup power to the cache modules.
4. Mount the storage units on the host.