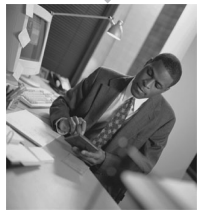


RELIABILITY



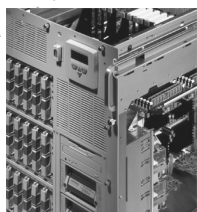
AVAILABILITY



SCALABILITY



MANAGEABILITY



COMPAQ

Compaq ProLiant CL380

ILLUSTRATED PARTS MAP

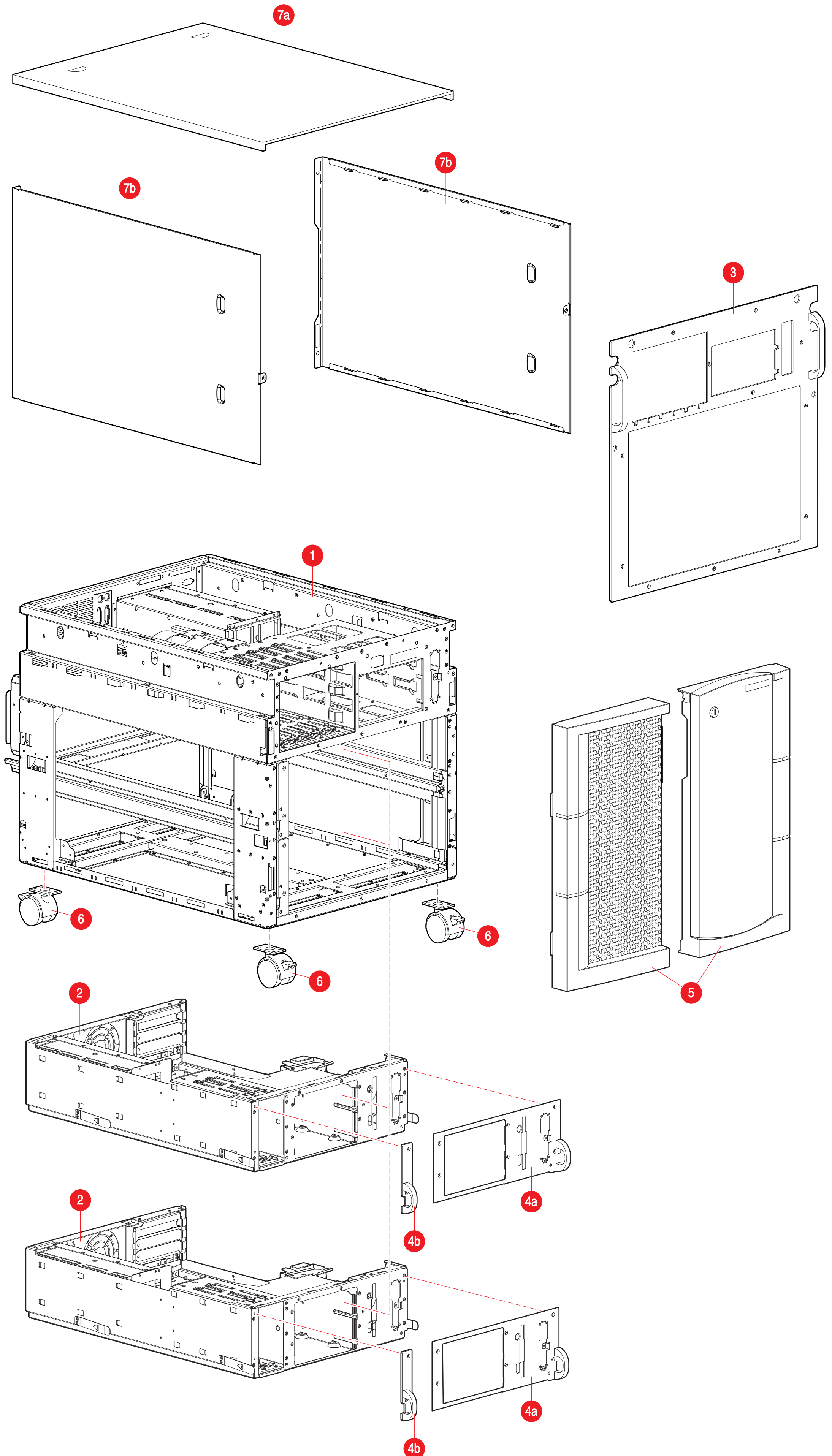
Industry Standard Clustering Solutions From Compaq

When you need it. How you need it.

Mechanical Parts - Spares List

Item	Description	Spare Part Number
CHASSIS		
1	System chassis	187796-001
2	Server node chassis	187795-001
3	System rack-mount bezel	388610-001
4	Server node rack-mount bezel	402580-001
	a) Sever node bezel	
	b) Sever node handle	
5	Front doors (right and left, tower model only)	140479-001
6	Locking casters (offset, tower model only)	296227-001
7	Cover kit	402579-001
	a) Top cover	
	b) Side cover (2)	

Mechanical Parts



COMPAQ

© 2000 Compaq Computer Corporation. All rights reserved. Printed in the U.S.A.

Compaq, ProLiant, and the Compaq logo Registered U.S. Patent and Trademark Office. Intel, Pentium are trademarks of Intel Corporation

Part Number 118136-003 Third Edition (June 2000)



118136-003

System Chassis Components - Spares List

Item	Description	Spare Part Number
ASSEMBLIES		
8	Power On/Standby assembly a) Power On/Standby switch with cable and LED status indicators b) Power On/Standby switch guard	402567-001
9	Hard drive blank	122759-001
10	9.1-GB Ultra2 hard drive 7,200 rpm	104665-001
	9.1-GB Ultra2 hard drive 10,000 rpm*	386536-001
	18.2-GB Ultra2 hard drive 7,200 rpm*	104663-001
	18.2-GB Ultra2 hard drive 10,000 rpm*	143920-001
	9.1-GB Ultra3 hard drive 10,000 rpm*	177986-001
	18.2-GB Ultra3 hard drive 10,000 rpm*	152188-001
	36.4-GB Ultra3 hard drive 10,000 rpm*	152190-001
11	Shared storage hot-plug power supply (2)	283623-001
12	CR3500 RAID controller blanking panel	166238-001
13	CR3500 RAID controller	402570-001

Item	Description	Spare Part Number
BOARDS		
14	Dual hot-plug redundant power supply backplane board	333112-001
15	Shared storage interconnect board*	402583-001
16	KVM (keyboard, video, monitor) controller board*	402571-001
17	Shared storage fan (2)*	187799-001
18	Shared storage isolator board*	159249-001

Server Node System Components - Spares List

Item	Description	Spare Part Number
SYSTEM COMPONENTS		
19	Server node chassis*	187795-001
20	Server node fan*	159203-001
21	Power On/Standby switch with cable and LED indicators*	140484-001
22	Pentium III 800-MHz processor with heatsink*	187781-001
23	Server node power supply*	283623-001

Item	Description	Spare Part Number
BOARDS		
24	Integrated Smart Array Controller	158855-001
25	Riser board and brace*	333109-001
26	Power supply backplane board*	402568-001
27	System board*	157824-001
28	Processor Power Module*	157825-001
29	NC3123 Fast Ethernet PCI 10/100 WOL (NIC)	169849-001
30	Ultra2 backplane board, 2-slot (SCSI adapter)	154902-001
31	Dual-channel Ultra2 SCSI controller (adapter)	348759-001
MEMORY		
32	128-MB Registered 133-MHz SDRAM DIMM	159226-001
	256-MB Registered 133-MHz SDRAM DIMM*	159377-001
	512-MB Registered 133-MHz SDRAM DIMM*	159227-001
	1024-MB Registered 133-MHz SDRAM DIMM*	163902-001

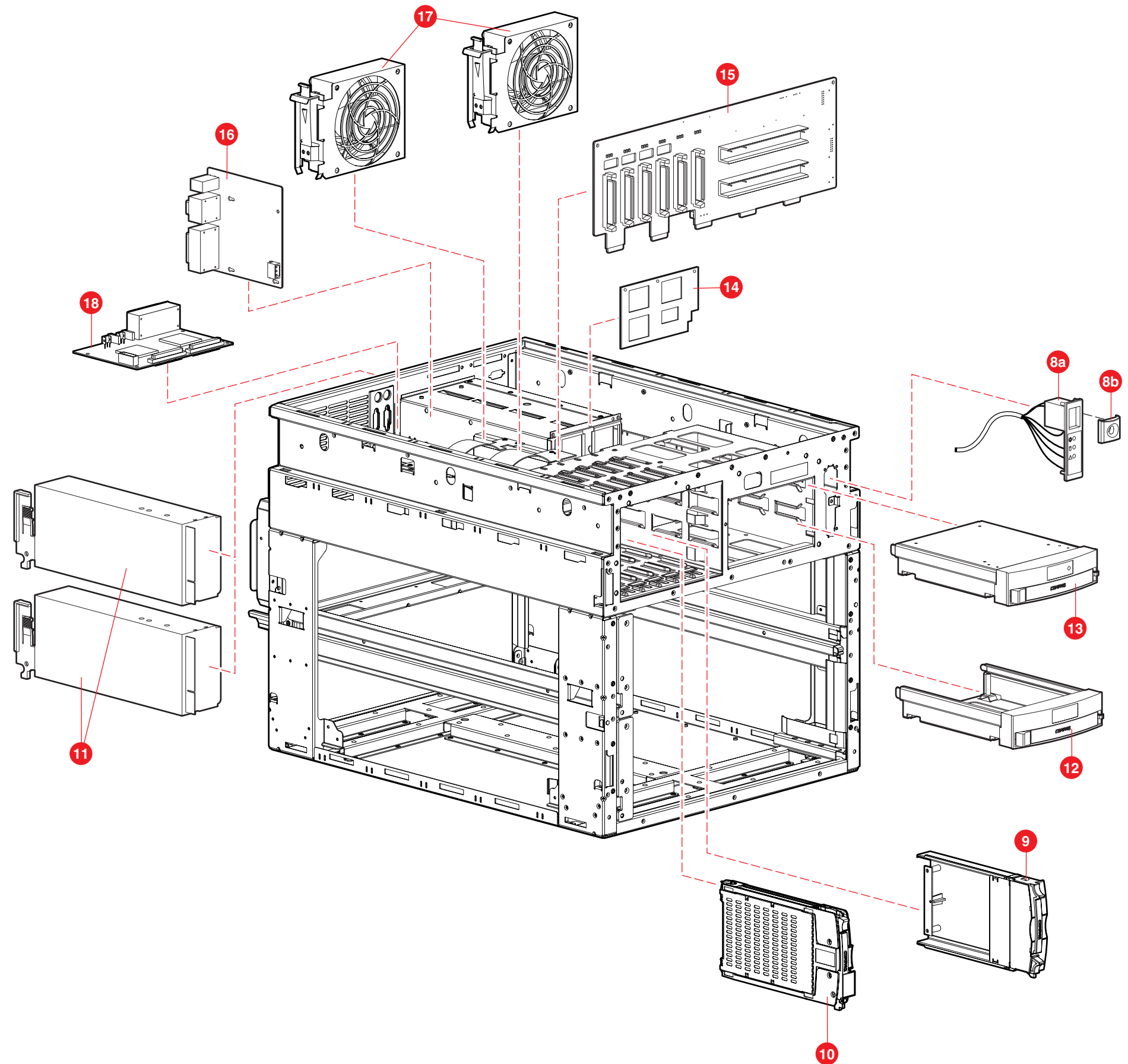
Item	Description	Spare Part Number
MASS STORAGE DEVICES		
33	Blank bezel assembly, half-height	159137-001
34	Low-profile IDE CD-ROM drive	323332-001
35	1.44-MB diskette drive	179161-001
36	Hard drive blank	122759-001
37	9.1-GB Ultra2 hard drive 7,200 rpm*	104665-001
	9.1-GB Ultra2 hard drive 10,000 rpm	386536-001
	18.2-GB Ultra2 hard drive 7,200 rpm*	104663-001
	18.2-GB Ultra2 hard drive 10,000 rpm*	143920-001
	9.1-GB Ultra3 hard drive 10,000 rpm*	152188-001
	18.2-GB Ultra3 hard drive 10,000 rpm*	152190-001
	36.4-GB Ultra3 hard drive 10,000 rpm*	177986-001
38	Optional 2 x 1-inch Ultra2 SCSI drive cage 2 x 1-inch SCSI board, LVD	178390-001

Item	Description	Spare Part Number
CABLE ASSEMBLIES		
39	Signal cable kit* Floppy data ribbon cable assembly (ASSY# 271946-001) CD data shredded cable assembly (ASSY# 288365-004) Multi-device data ribbon cable assembly (ASSY# 269157-001) Ultra3 SCSI, LVD, P-to-P device cable assembly (ASSY# 166298-013)	159129-001
40	Power cable kit* 12-POS power cable assembly (ASSY# 388604-001) 4-POS isolator board power cable assembly (ASSY# 159162-001) 3-POS KVM power cable assembly (ASSY# 120867-001) Y-power cable assembly (ASSY# 112124-001) 14-POS power cable assembly (ASSY# 333342-002) 20-POS main power cable assembly (ASSY# 333343-001) Hard drive/floppy power cable assembly (ASSY# 333344-001)	402578-001
41	Miscellaneous cable kit* Heartbeat cluster cable assembly (ASSY# 303309-004) SCSI cluster cable assembly (ASSY# 137356-001) Fan override jumper (ASSY# 112126-001) 14-POS power cable assembly (ASSY# 333342-002) 20/4/20 TAP power cable assembly (ASSY# 159161-001) LVD, interior, P-to-P cable assembly (ASSY# 112125-001) LVD, exterior, EXT-to-EXT2 cable assembly (ASSY# 153761-002)	209936-001

Item	Description	Spare Part Number
MISCELLANEOUS		
42	Plastics kit* Option board retainer (ASSY# 250967-001) Blank option board bracket (ASSY# 250966-001) Power supply fan guard (ASSY# 333148-001) Power supply fan cover (ASSY# 333138-001)	327319-001
43	CD tray assembly*	159542-001
44	Return kit*	327322-001
45	Country kit*	187800-001
46	Mounting kit for rack model*	327310-001
47	Carton and buns, international*	327322-002
48	Illustrated parts map*	187798-001
49	Maintenance and service guide*	180789-001
50	Battery, 3-V lithium*	164172-001
51	Air baffle*	163327-001

* Not shown

System Chassis Components



Server Node System Components

